



US00D853666S

(12) **United States Design Patent**
Ni

(10) **Patent No.:** **US D853,666 S**

(45) **Date of Patent:** **** Jul. 9, 2019**

(54) **BARK CONTROL UNIT**

(71) Applicant: **SHENZHEN DOGCARE
INNOVATION & TECHNOLOGY
CO., LTD.**, Shenzhen, Guangdong (CN)

(72) Inventor: **Xunyang Ni**, Guangdong (CN)

(73) Assignee: **SHENZHEN DOGCARE
INNOVATION & TECHNOLOGY
CO., LTD.**, Shenzhen (CN)

(**) Term: **15 Years**

(21) Appl. No.: **29/631,155**

(22) Filed: **Dec. 27, 2017**

(30) **Foreign Application Priority Data**

Nov. 21, 2017 (CN) 2017 3 0575906

(51) **LOC (11) Cl.** **30-99**

(52) **U.S. Cl.**
USPC **D30/199; D10/104.1**

(58) **Field of Classification Search**
USPC D30/151-155, 144, 199, 160;
119/792-798, 850, 855-859, 863-865,
119/654, 905, 907, 815, 712, 802, 784,
119/769, 760, 776, 862, 908, 860,
119/719-721; 242/381.1-381.2, 385.4,
242/378.3, 376.1, 385.1, 916, 601, 570,
242/405, 404, 371, 223, 170, 388.1,
242/405.2, 377, 381.3, 381.6, 405.3,
242/388.6, 384.7, 382, 396.1, 404.1, 380;
362/108; 33/767, 769, 414; D12/400;
D3/229, 230, 207, 208, 215; 40/1.5, 455,
40/640, 303; 206/63.3, 459.5, 702, 408;
D6/515; D8/358, 360, 347, 360.1, 359,
D8/356, DIG. 1; D24/145, 167, 186, 146,
D24/169; D10/57, 72, 106.1, 104.1,
D10/104.2, 109.2, 70, 97, 98, 78, 65;

D20/28; 224/666, 678; 16/445; 283/74,
283/70; D11/232, 200, 216, 1, 2, 86, 87,
D11/201, 206-210, 212-215, 218;
24/163 K, 122.3, 323, 702, 600.4-600.7,
24/163 R, 169-171, 173, 177-179, 191,
24/194, 195, 197, 200, 303, 616, 635,
24/313, 615, 3, 6, 3 K, 599.2, 96, 221,
24/237, 311, 312, 314, 321, 338, 339,
24/309; 428/3, 4; 54/76, 1, 71; 63/29.1,
63/3; 191/12.2 R, 12.4; D13/154, 153,
(Continued)

(56) **References Cited**

U.S. PATENT DOCUMENTS

4,669,424 A * 6/1987 Bianco A01K 27/009
119/650
D385,855 S * 11/1997 Ronzani D14/344
(Continued)

Primary Examiner — Susan Moon Lee

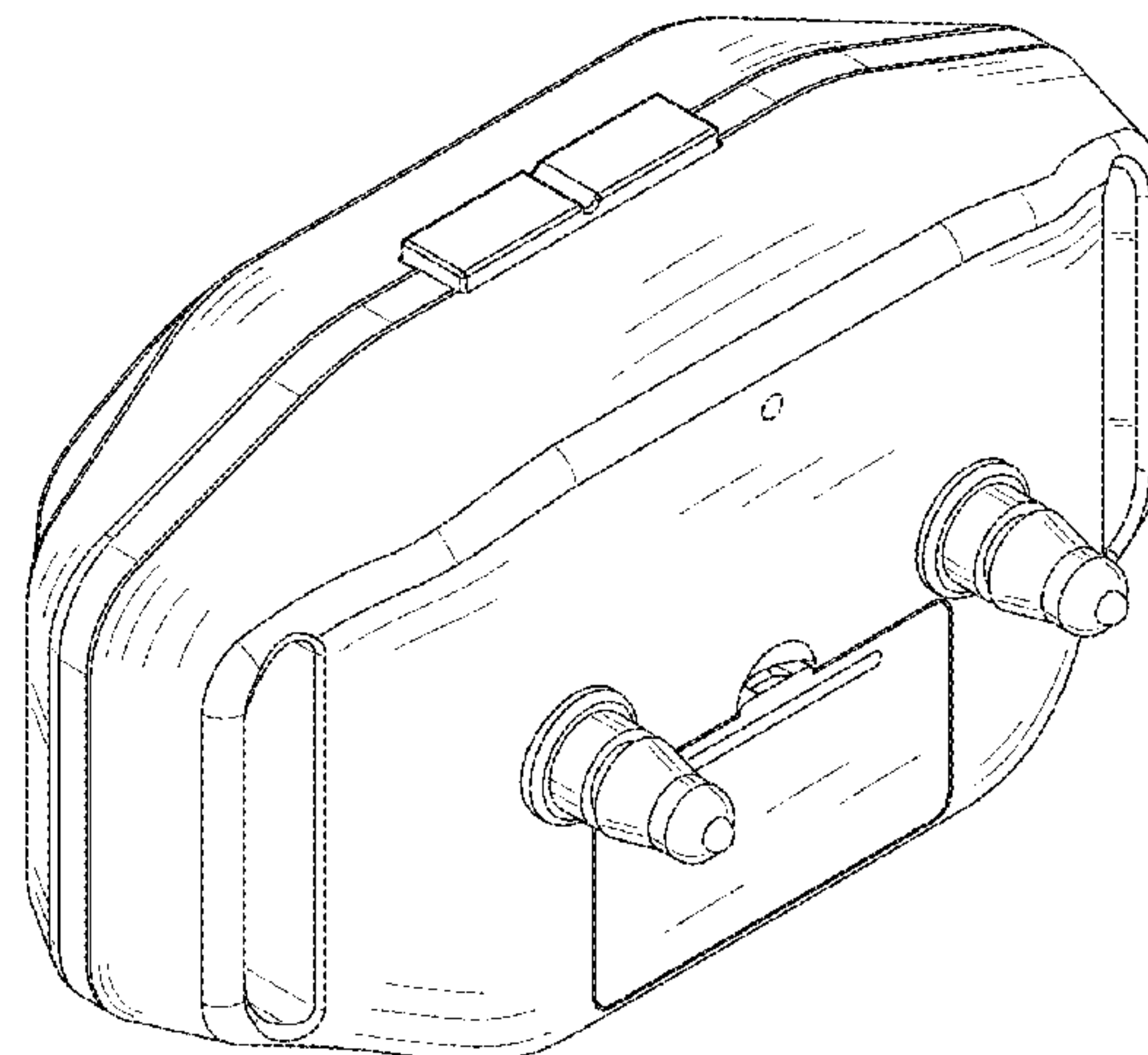
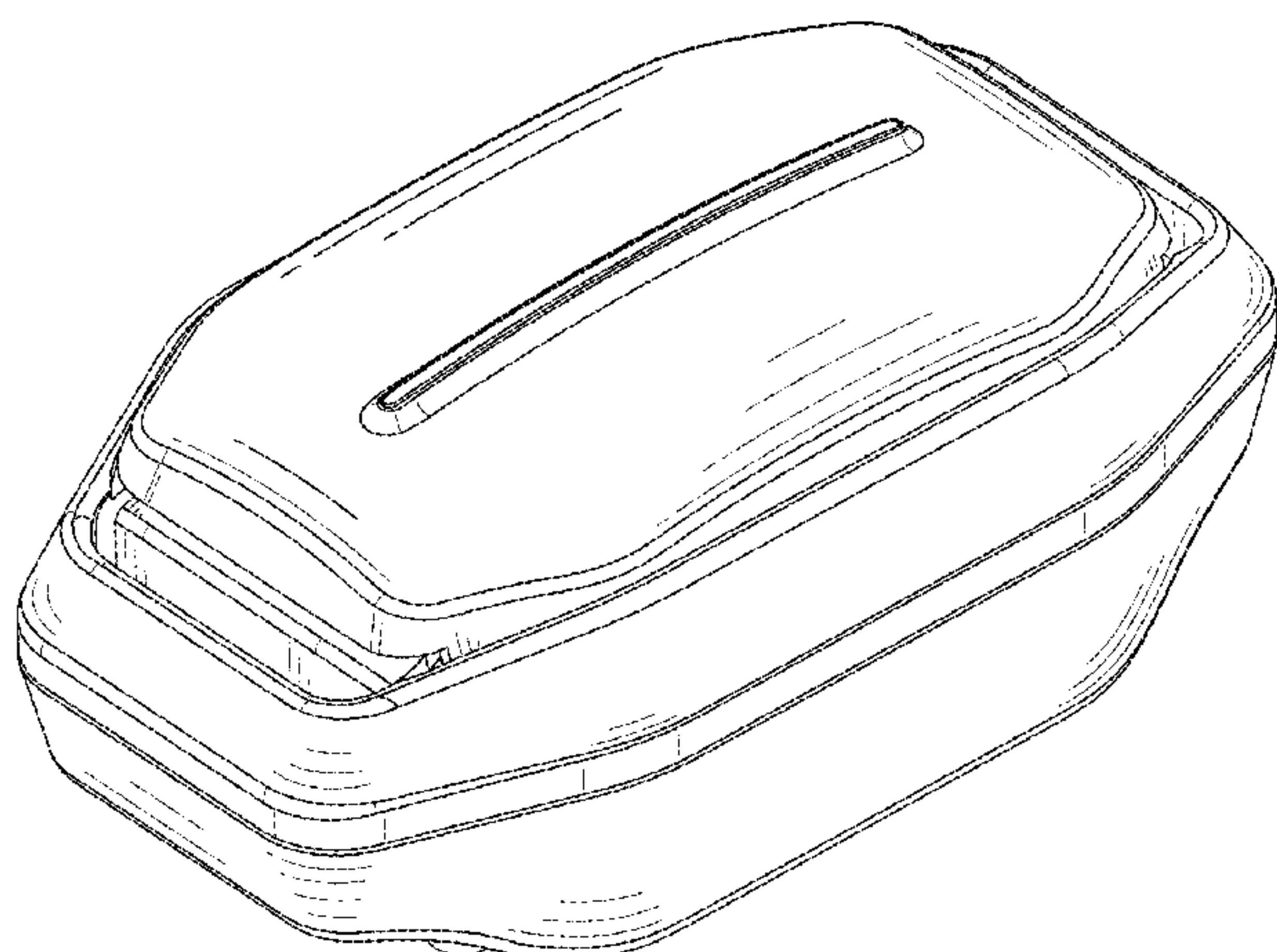
(57) **CLAIM**

The ornamental design for a bark control unit, as shown and described.

DESCRIPTION

FIG. 1 is a front elevational view of a bark control unit showing my new design;
FIG. 2 is a rear elevational view thereof;
FIG. 3 is a left side view thereof;
FIG. 4 is a right side view thereof;
FIG. 5 is a top plan view thereof;
FIG. 6 is a bottom plan view thereof;
FIG. 7 is a first perspective view thereof; and,
FIG. 8 is a second perspective view thereof.
The broken lines in the drawings illustrate portions of the bark control unit which form no part of the claimed design.

1 Claim, 8 Drawing Sheets



(58) **Field of Classification Search**

USPC D13/137.4, 155, 103, 168; D19/69, 67;
 379/438; 446/26; 473/576; D22/140;
 174/135; 439/504, 13, 501; D34/33;
 188/83, 82.1, 65.1; 254/134.3 FT;
 D29/124; D2/627, 624, 633, 625;
 132/145, 146, 148; 2/314; 59/79.1;
 340/573.3, 573.1, 573; 343/895;
 278/8 AES; 231/7; 361/232; D14/344,
 D14/341, 137, 496, 203.5, 203.3, 144,
 D14/218, 188, 216, 192; 342/357.51,
 342/357.57, 357.52, 357.55
 CPC A01K 15/021; A01K 15/02; A01K 15/022;
 A01K 15/023; A01K 15/029; A01K
 15/04; A01K 15/00; A01K 15/006; A01K
 12/022; A01K 27/009; A01K 27/00;
 A01K 27/001; A01K 27/006-008; A01K
 29/005; A01K 29/00; A61B 5/0002-0028;
 A61B 5/681; A61B 5/6822; A61B
 5/6824; A61B 5/6829

See application file for complete search history.

(56) **References Cited**

U.S. PATENT DOCUMENTS

D387,898 S * 12/1997 Ronzani D3/215
 D400,458 S * 11/1998 Titus D10/104.1
 D410,206 S * 5/1999 Slater D10/104.1
 D478,831 S * 8/2003 So D10/104.1
 D555,298 S * 11/2007 Garon D30/152
 D597,211 S * 7/2009 Ewing D24/187
 7,644,685 B2 * 1/2010 Groh A01K 15/021
 119/856

D632,853 S * 2/2011 Hardi D30/144
 D637,365 S * 5/2011 Li D30/155
 D657,098 S * 4/2012 So D30/152
 D659,304 S * 5/2012 Vatka D30/155
 D661,846 S * 6/2012 Miller D30/152
 D665,952 S * 8/2012 Guo D30/152
 D666,367 S * 8/2012 Miller D30/152
 D673,334 S * 12/2012 Guo D30/152
 D673,473 S * 1/2013 Hogg D10/104.1
 D674,808 S * 1/2013 Axelrod D11/3
 D699,758 S * 2/2014 Lavin D14/496
 D706,159 S * 6/2014 Ma D11/3
 D715,675 S * 10/2014 Ma D11/3
 D742,817 S * 11/2015 Lammers-Meis D13/103
 D756,826 S * 5/2016 Smith D10/104.1
 D762,333 S * 7/2016 Pulliam D30/199
 D788,999 S * 6/2017 Zinn D30/152
 D801,538 S * 10/2017 Rondoni D24/186
 D812,499 S * 3/2018 Kuh D10/70
 D829,120 S * 9/2018 Mitchell D10/104.1
 D838,923 S * 1/2019 Ni D30/199
 2005/0242137 A1 * 11/2005 Fishman A01K 11/00
 224/221
 2007/0221138 A1 * 9/2007 Mainini A01K 15/021
 119/720
 2008/0114220 A1 * 5/2008 Banet A61B 5/021
 600/301
 2009/0018456 A1 * 1/2009 Hung A61B 5/02438
 600/509
 2013/0027207 A1 * 1/2013 Goetzl A01K 11/008
 340/573.3
 2013/0180467 A1 * 7/2013 Wong A01K 15/022
 119/718
 2014/0261233 A1 * 9/2014 So A01K 27/009
 119/720
 2018/0153137 A1 * 6/2018 Goetzl A01K 15/022
 2018/0153138 A1 * 6/2018 Goetzl A01K 15/022

* cited by examiner

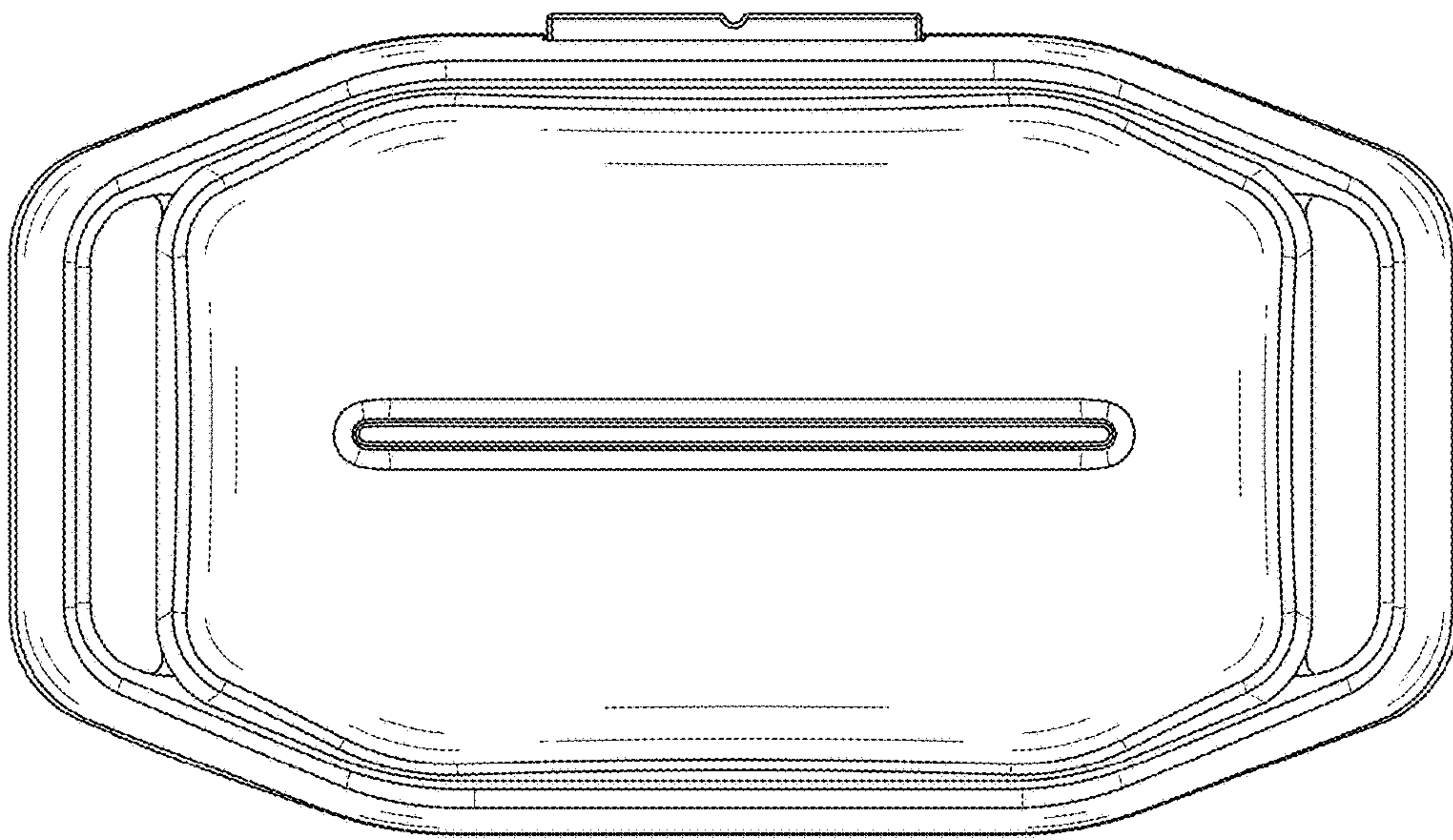


FIG.1

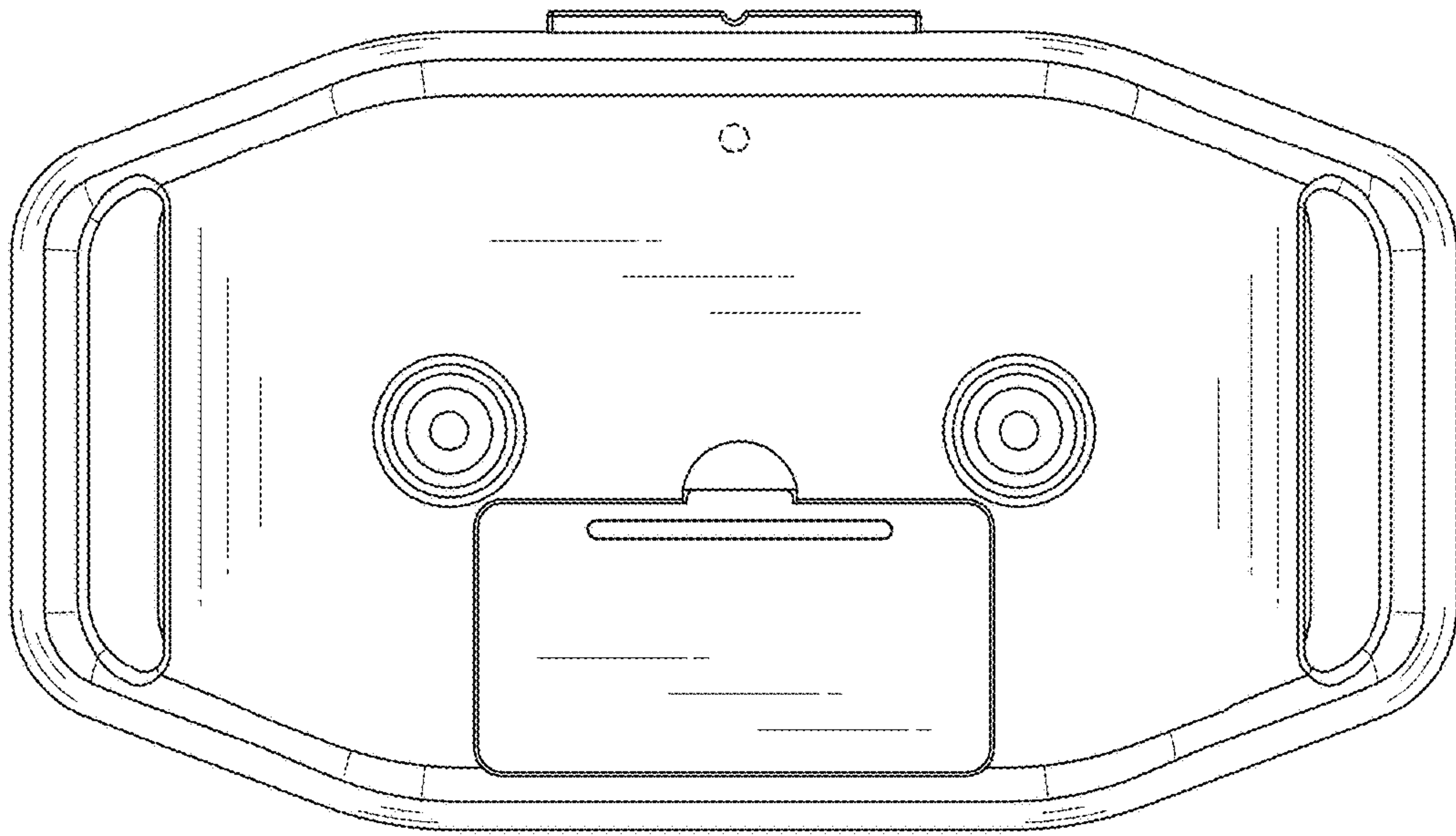


FIG.2

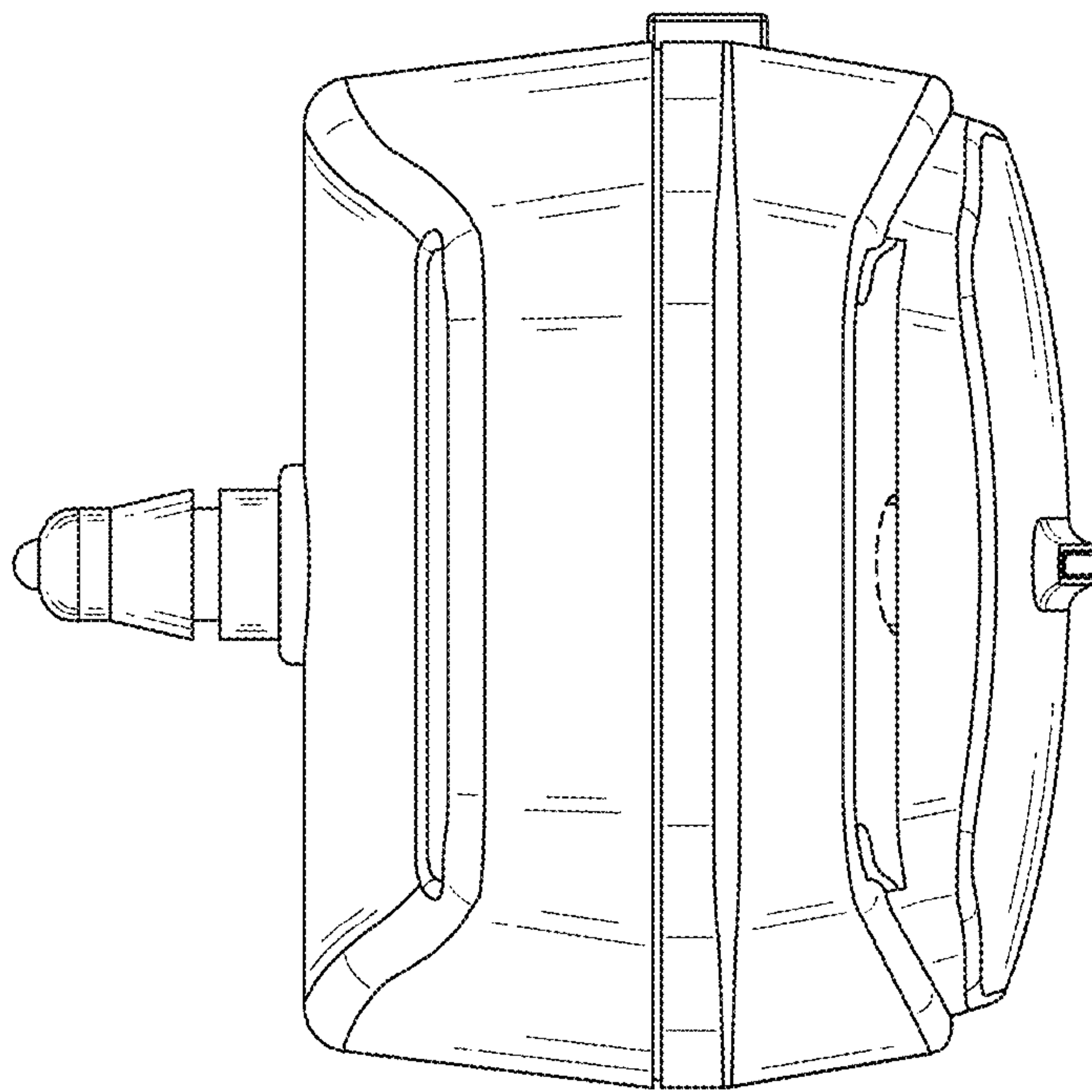


FIG.3

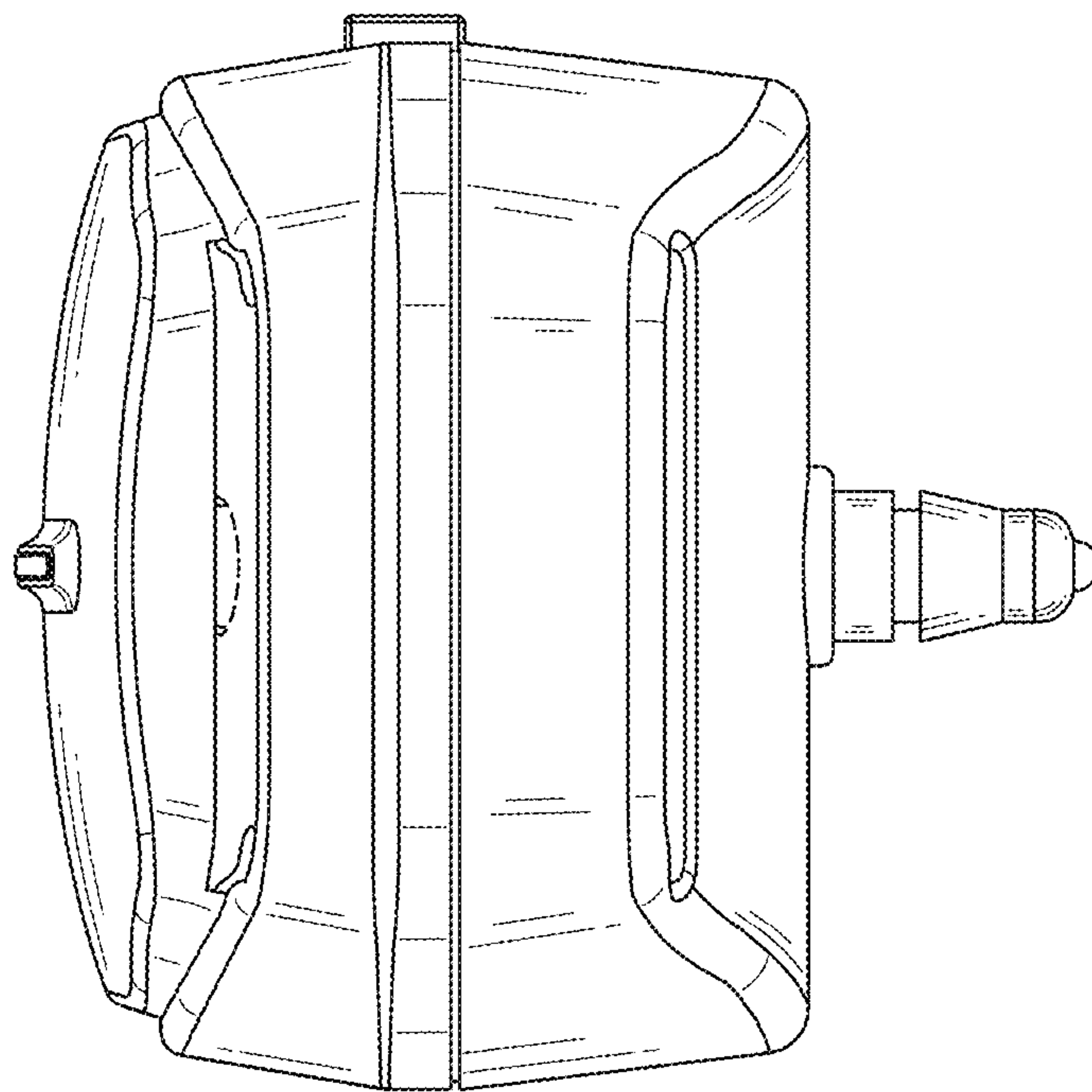


FIG.4

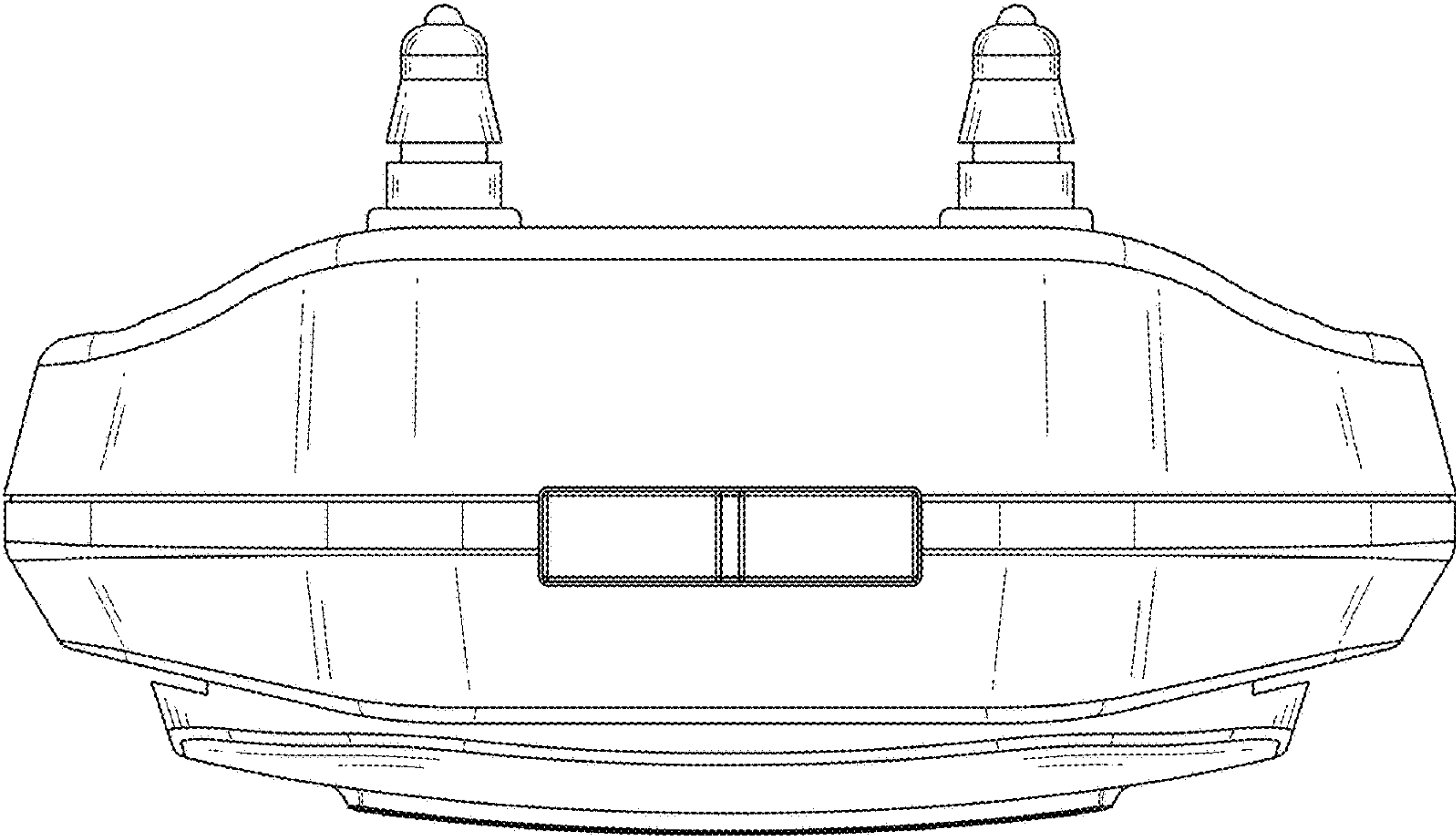


FIG.5

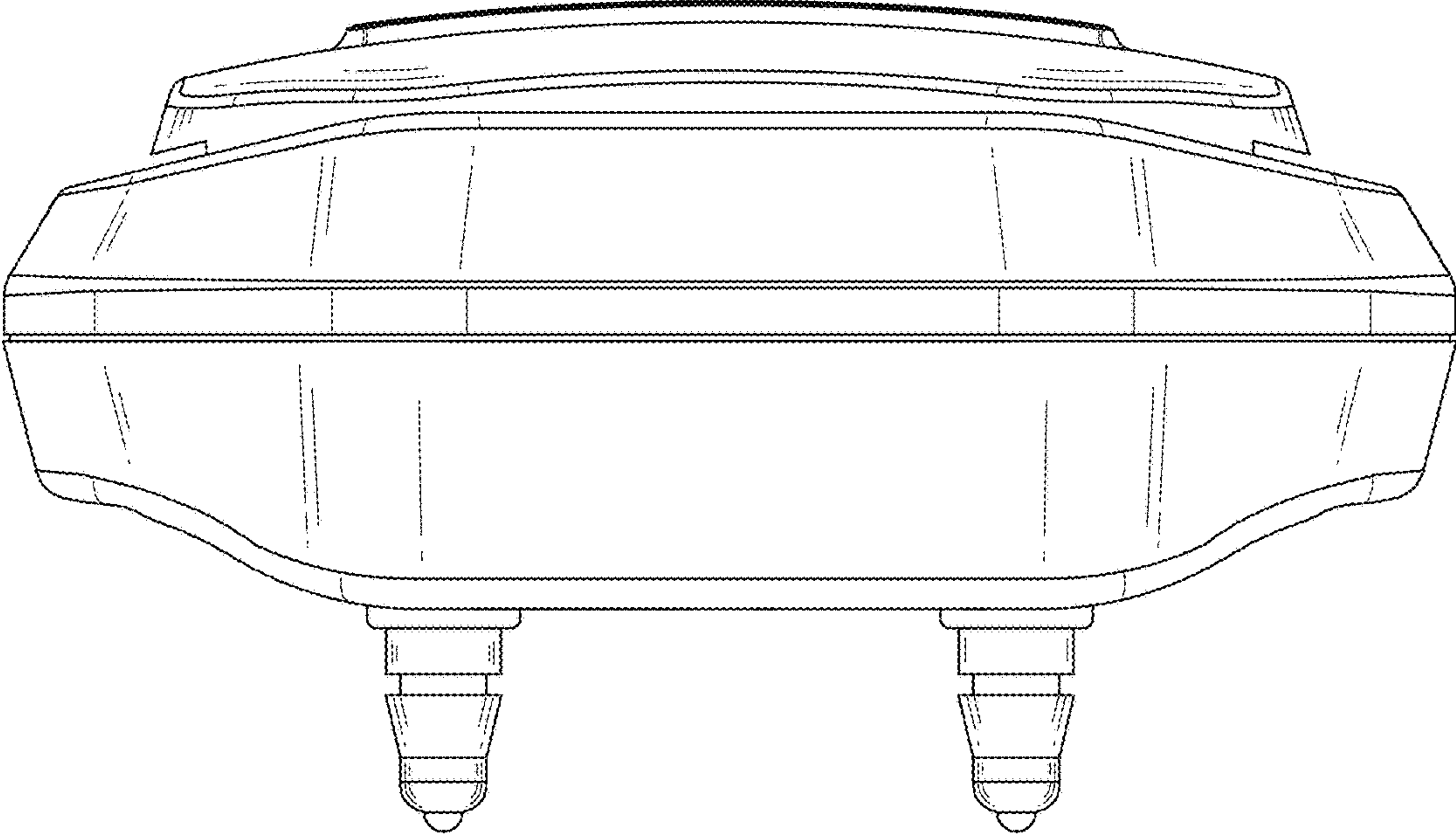


FIG.6

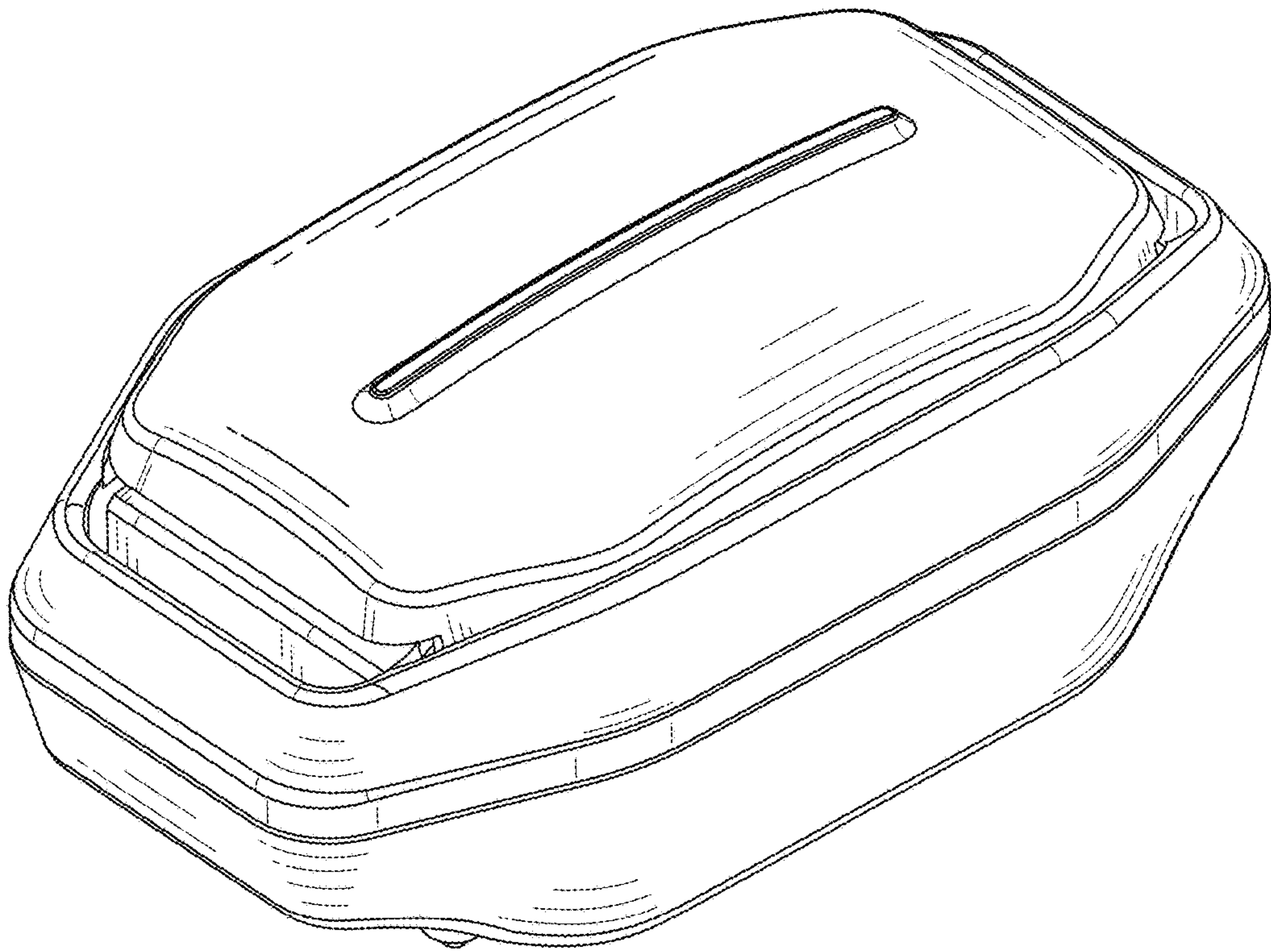


FIG.7

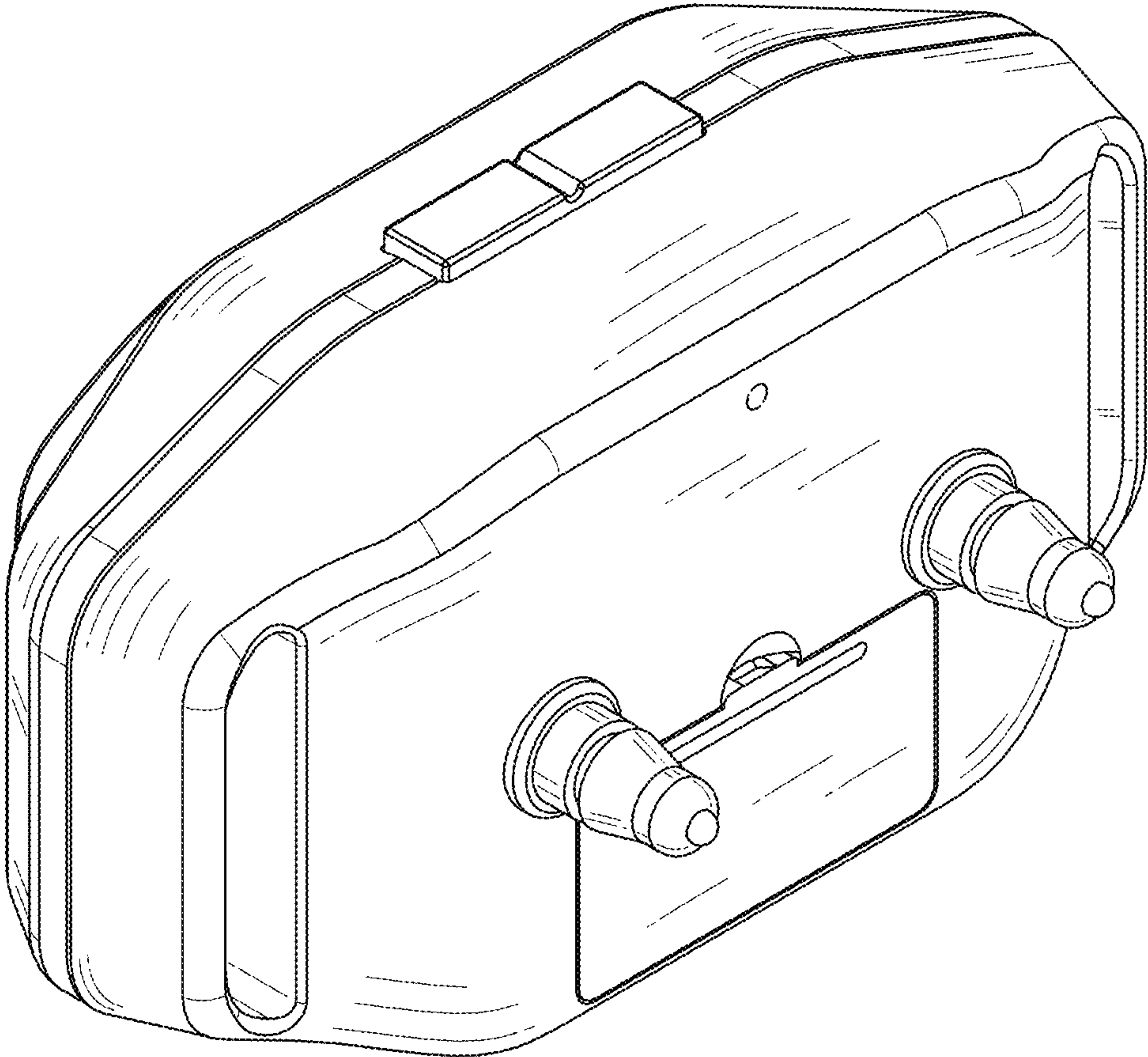


FIG.8