



US00D853665S

(12) **United States Design Patent**
Itzhak-Sigron et al.

(10) **Patent No.:** **US D853,665 S**

(45) **Date of Patent:** **** Jul. 9, 2019**

(54) **PLAY HOUSE FOR ANIMALS**

(71) Applicant: **Keter Plastic Ltd.**, Herzelyia (IL)

(72) Inventors: **Reut Itzhak-Sigron**, Ein Sarid (IL);
Daniel Rasenberg, Oosterhout (IL)

(73) Assignee: **KETER PLASTIC LTD.**, Herzelyia
(IL)

(**) Term: **15 Years**

(21) Appl. No.: **29/657,595**

(22) Filed: **Jul. 24, 2018**

D334,815 S *	4/1993	Bunger	D21/501
D338,571 S *	8/1993	Singer	D6/407
D423,171 S *	4/2000	Alcala	D34/19
D444,177 S *	6/2001	Carretta	D19/77
D473,396 S *	4/2003	Ong	D6/407
D483,200 S *	12/2003	Udommahuntisuk	D6/407
D551,070 S *	9/2007	Wallwork	D9/414
D554,303 S *	10/2007	Linehan	D30/160
D606,714 S *	12/2009	Kellogg	D30/160
D614,820 S *	4/2010	Kellogg	D30/160
D616,044 S *	5/2010	Tervo	D21/499
D629,920 S *	12/2010	Tezak	D25/114
D648,079 S *	11/2011	Haaf	D30/160
8,113,149 B2 *	2/2012	Quinn	A01K 15/025
				119/622
D675,513 S *	2/2013	Sawa	D8/397
D726,971 S *	4/2015	Itzhak-Sigron	D30/118

(Continued)

Related U.S. Application Data

(62) Division of application No. 29/583,857, filed on Nov. 9, 2016.

(30) **Foreign Application Priority Data**

May 11, 2016 (IL) 58535

(51) **LOC (11) Cl.** **30-99**

(52) **U.S. Cl.**
USPC **D30/160**

(58) **Field of Classification Search**
USPC D30/108, 118, 119, 158, 160, 161;
119/19, 29, 482, 622, 702, 708
CPC .. A01K 15/024; A01K 15/025; A01K 15/026;
A01K 15/027
See application file for complete search history.

(56) **References Cited**

U.S. PATENT DOCUMENTS

D231,786 S *	6/1974	Burnley	119/265
D231,787 S *	6/1974	Burnley	119/265
4,177,761 A *	12/1979	Bellocchi, Jr.	A01K 1/035
				119/482
D334,637 S *	4/1993	Mitchell	D30/160

Primary Examiner — Barbara Fox

Assistant Examiner — Mehri F Bajoul

(74) *Attorney, Agent, or Firm* — Vorys, Sater, Seymour and Pease LLP

(57) **CLAIM**

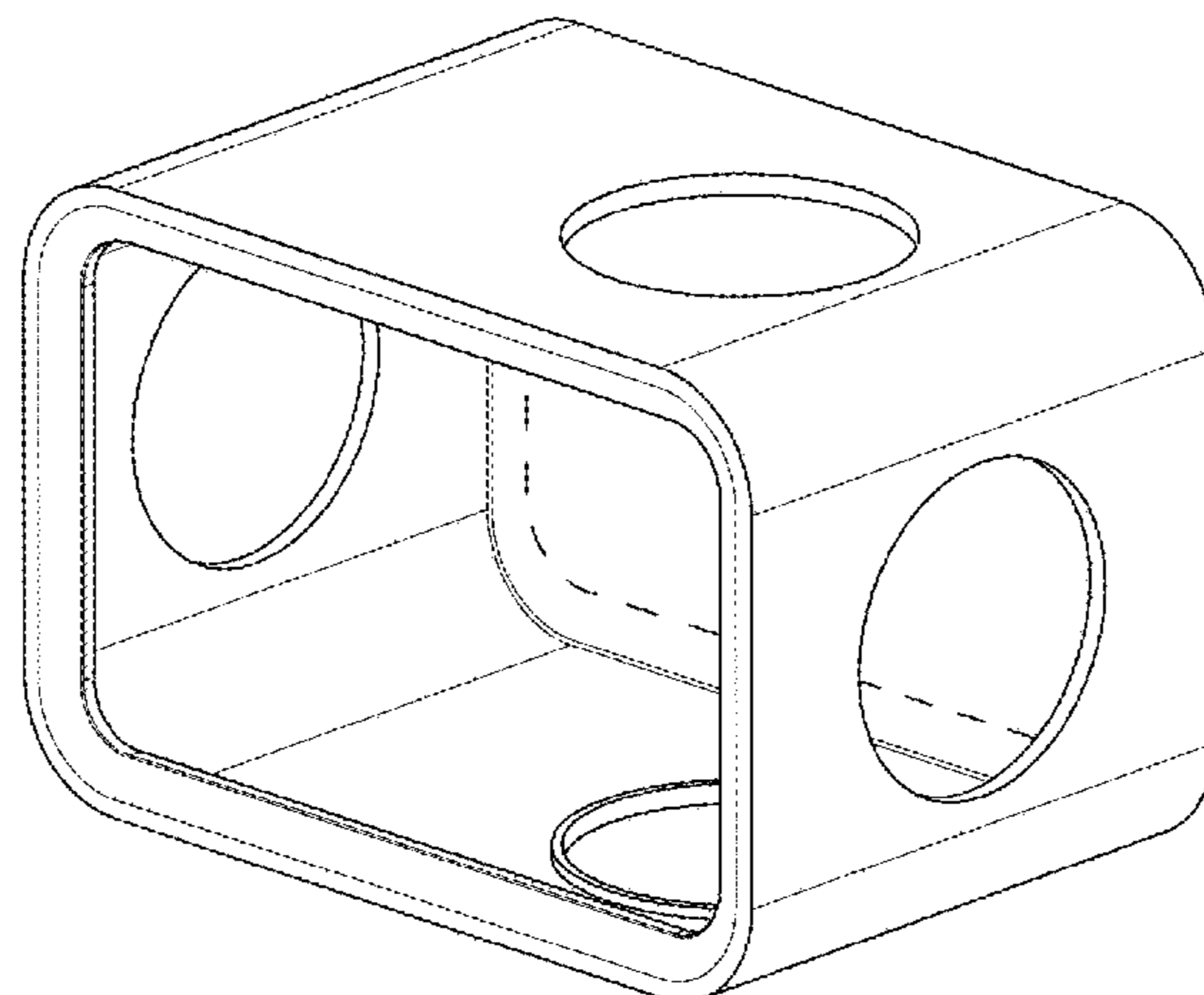
The ornamental design for a play house for animals, as shown and described.

DESCRIPTION

FIG. 1 is a front right perspective view of a play house for animals showing the new design;
FIG. 2 is a rear left perspective view thereof;
FIG. 3 is a front elevational view thereof;
FIG. 4 is a rear elevational view thereof;
FIG. 5 is a side elevational view thereof, other side elevational view being identical to FIG. 5; and,
FIG. 6 is a top plan view thereof, bottom plan view being identical to FIG. 6.

The broken lines shown in the drawings depict portions of the play house for animals that form no part of the claimed design.

1 Claim, 6 Drawing Sheets



(56)

References Cited

U.S. PATENT DOCUMENTS

D774,707 S *	12/2016	Kellogg	D30/160
D789,622 S *	6/2017	Kellogg	D30/160
D792,758 S *	7/2017	Olayiwola	D9/418
D802,850 S *	11/2017	Spaile	D30/119
2012/0234252 A1 *	9/2012	Donta	A01K 1/0125 119/168

* cited by examiner

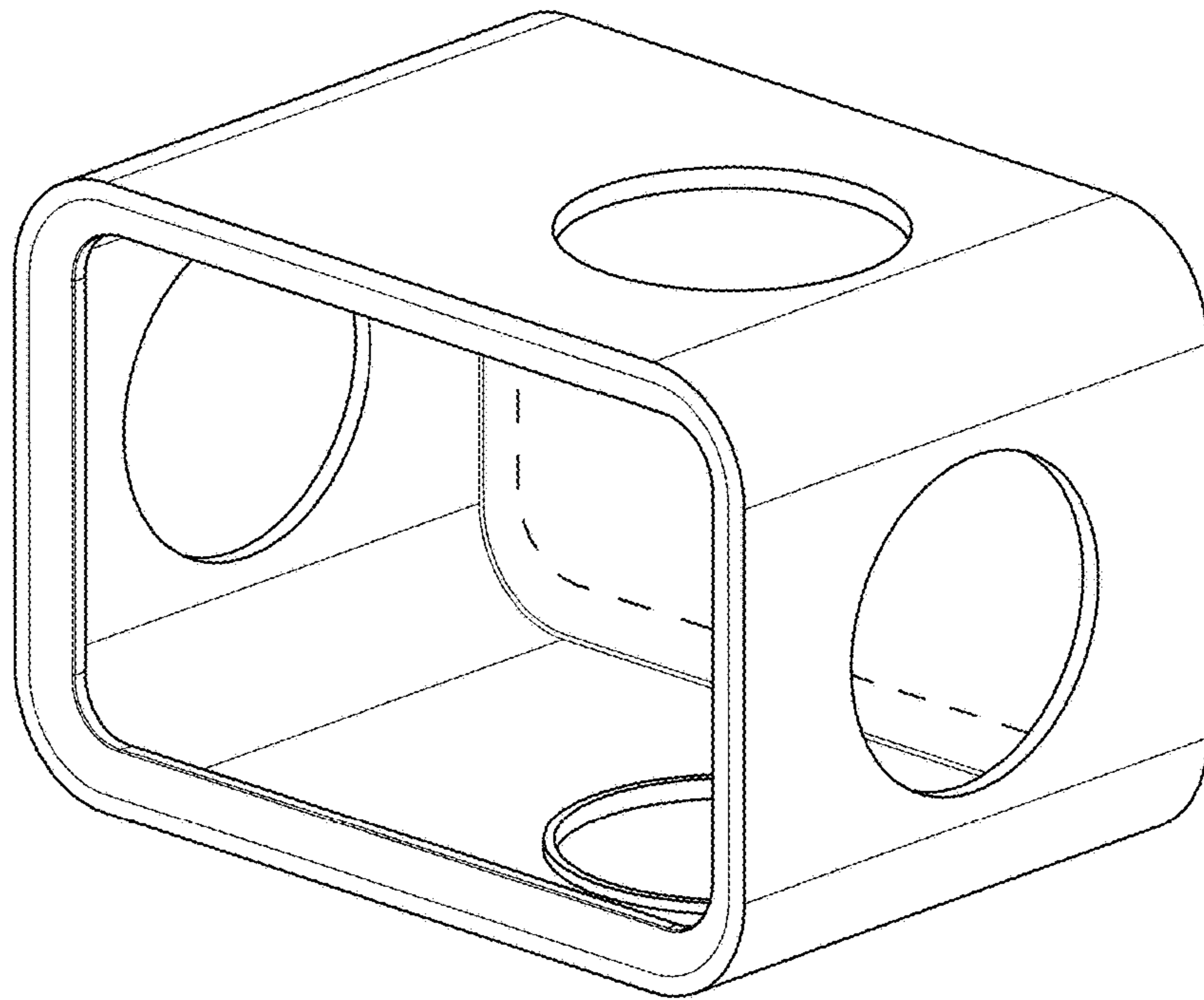


FIG. 1

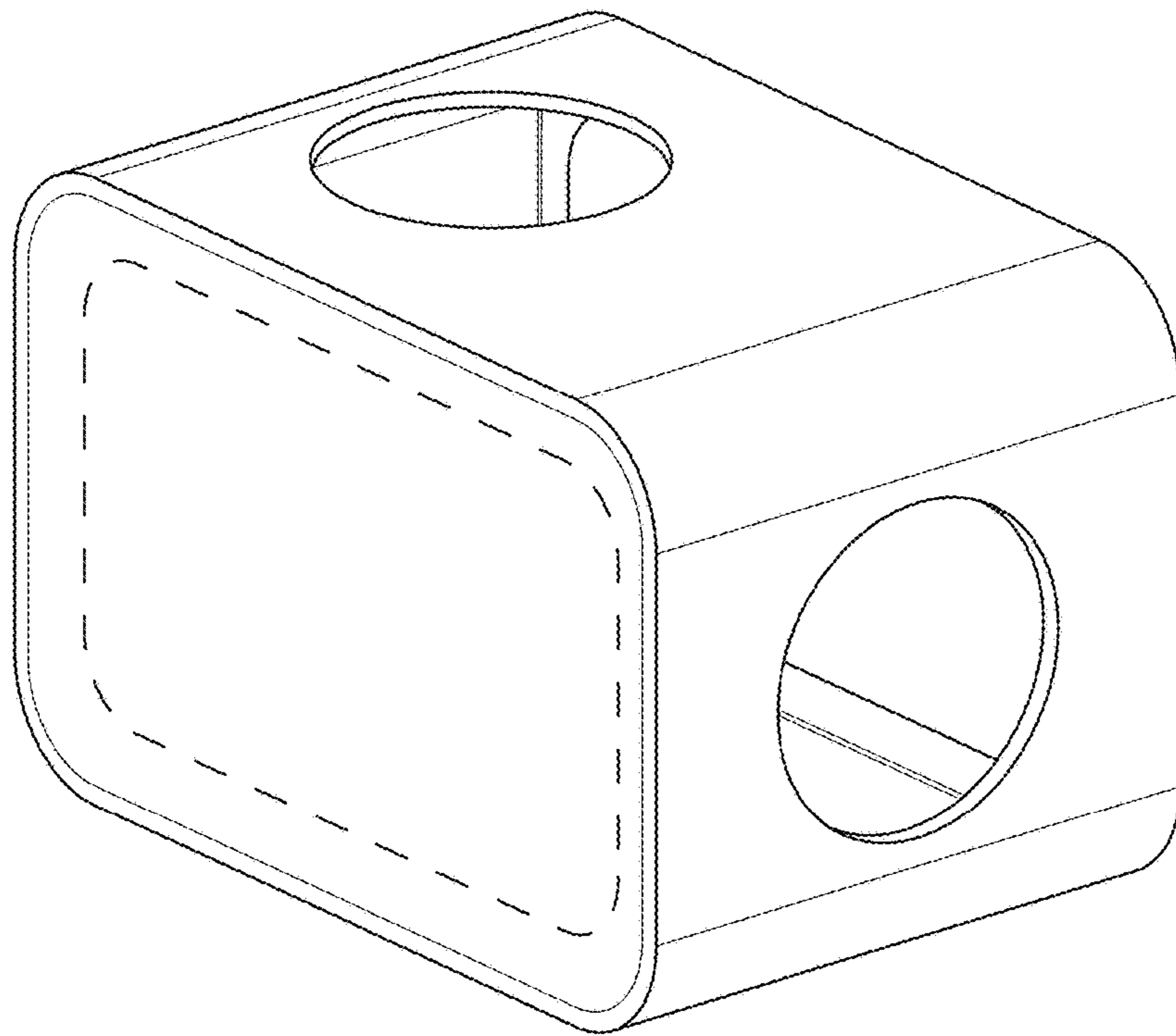


FIG. 2

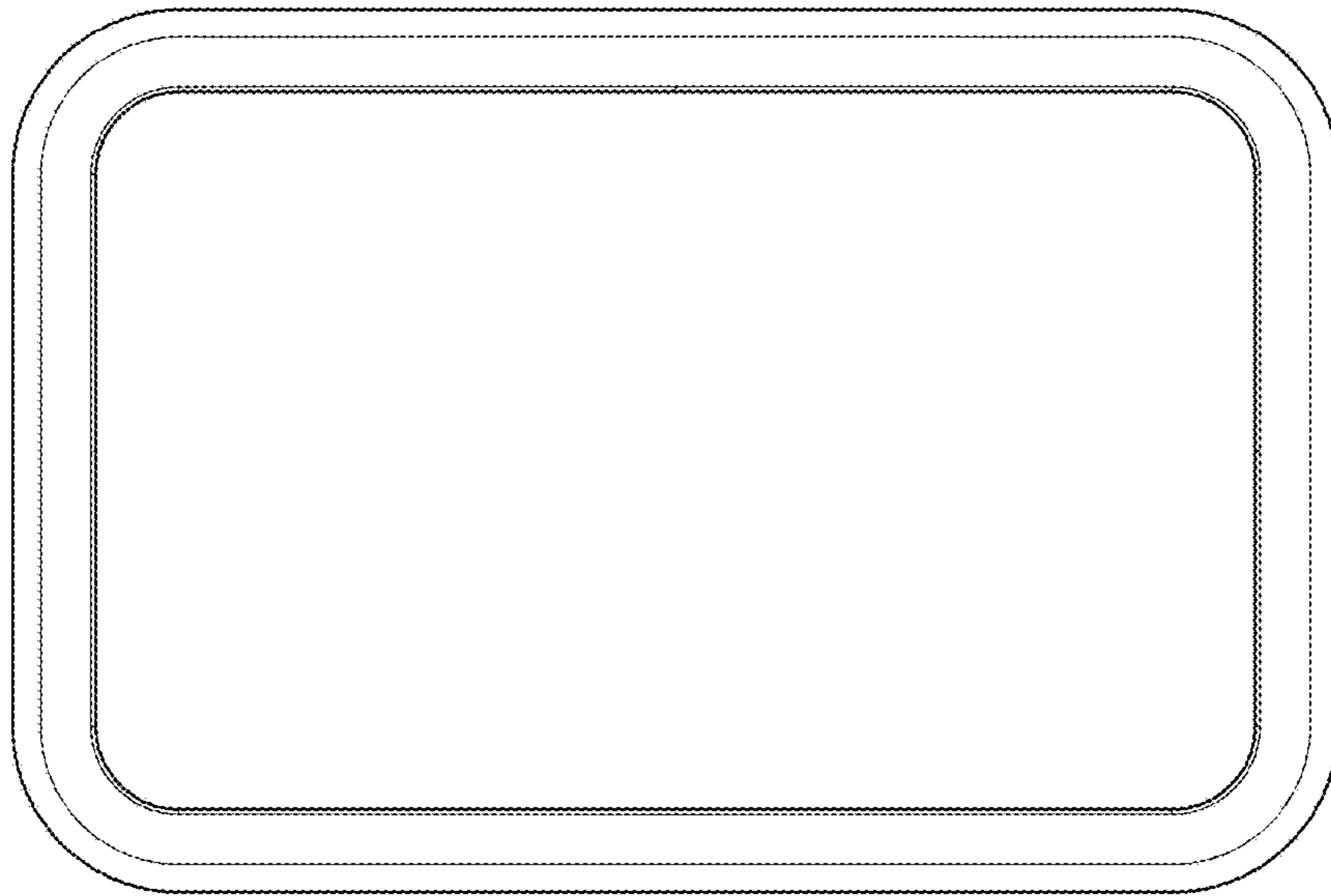


FIG. 3

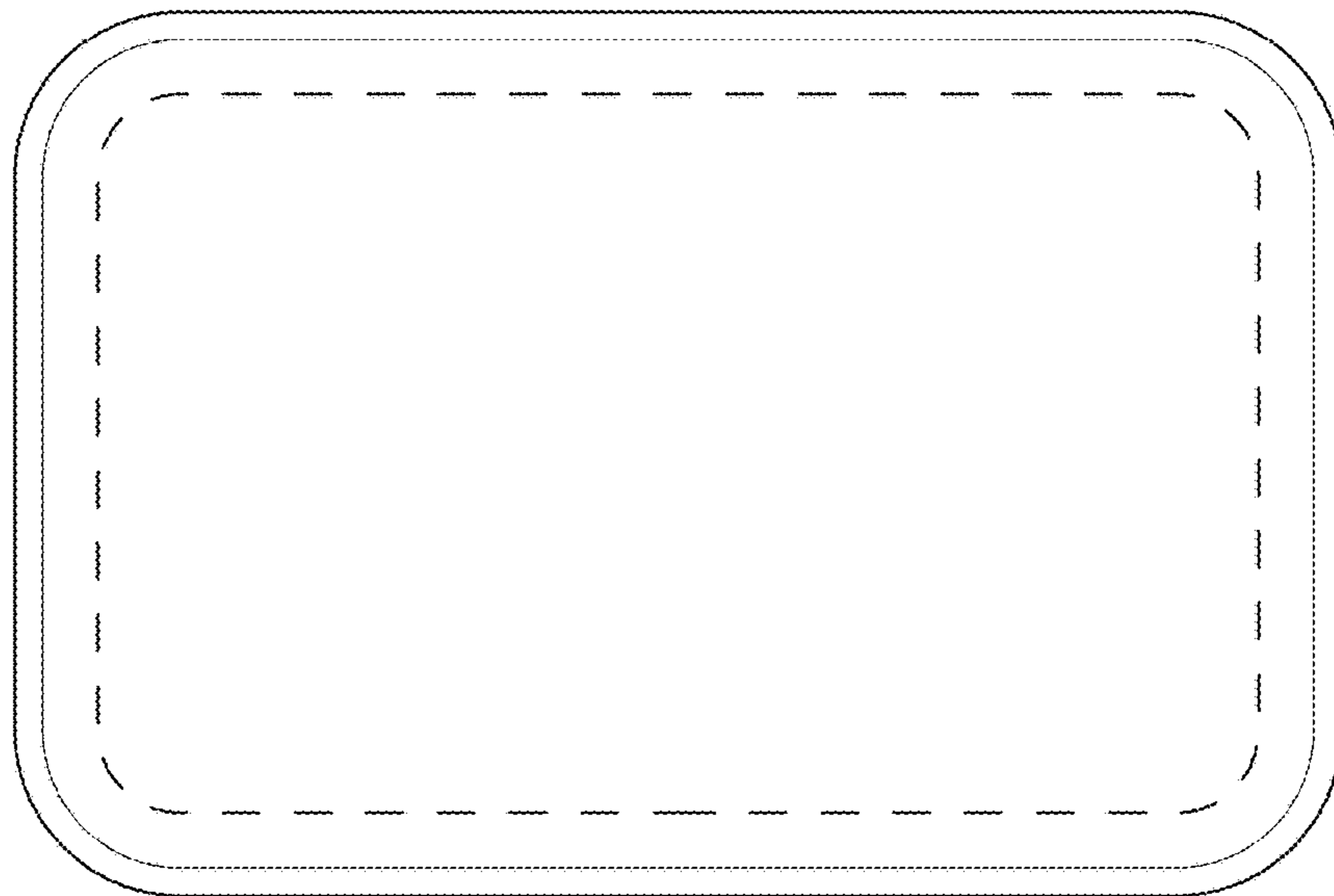


FIG. 4

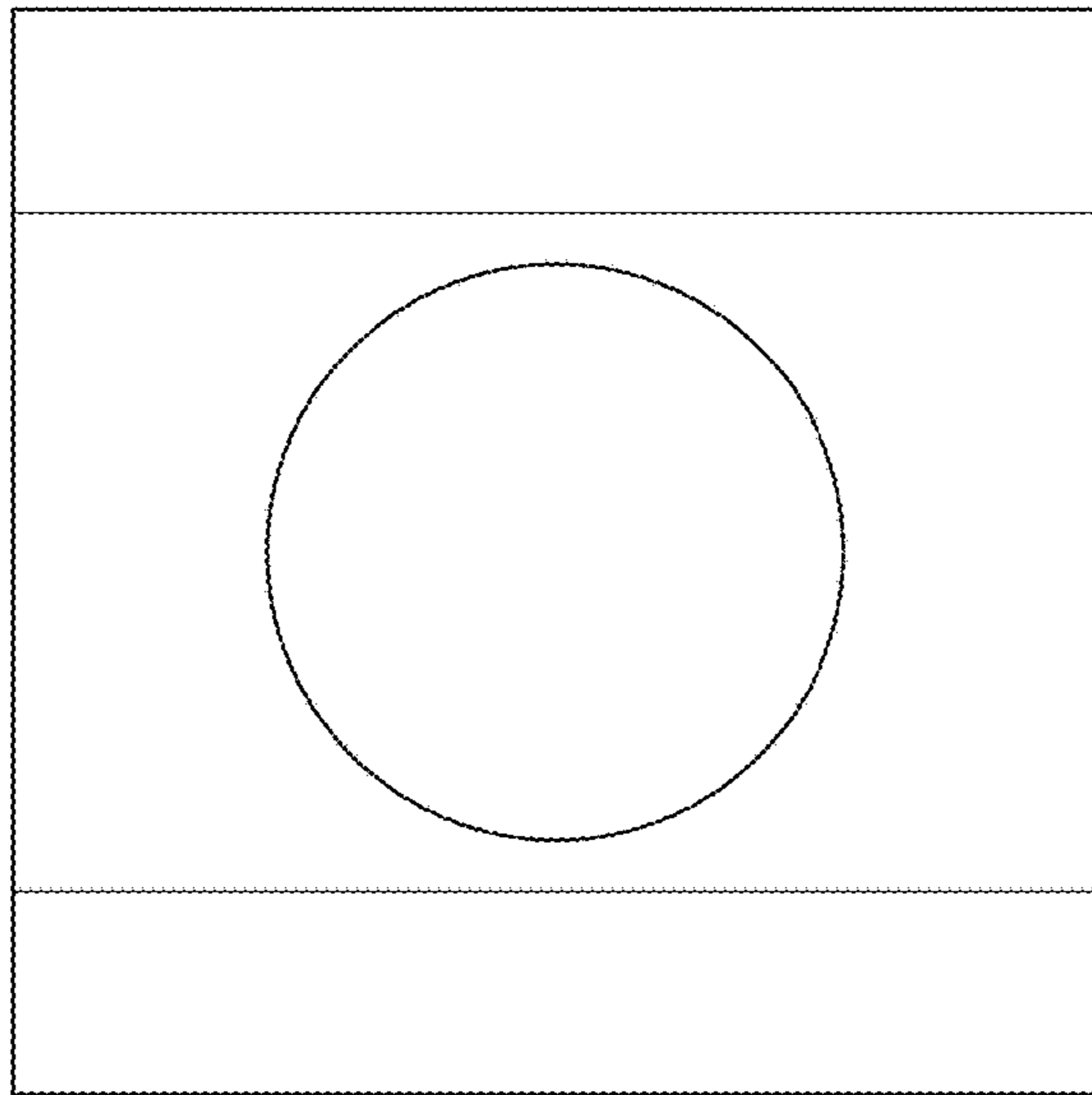


FIG. 5

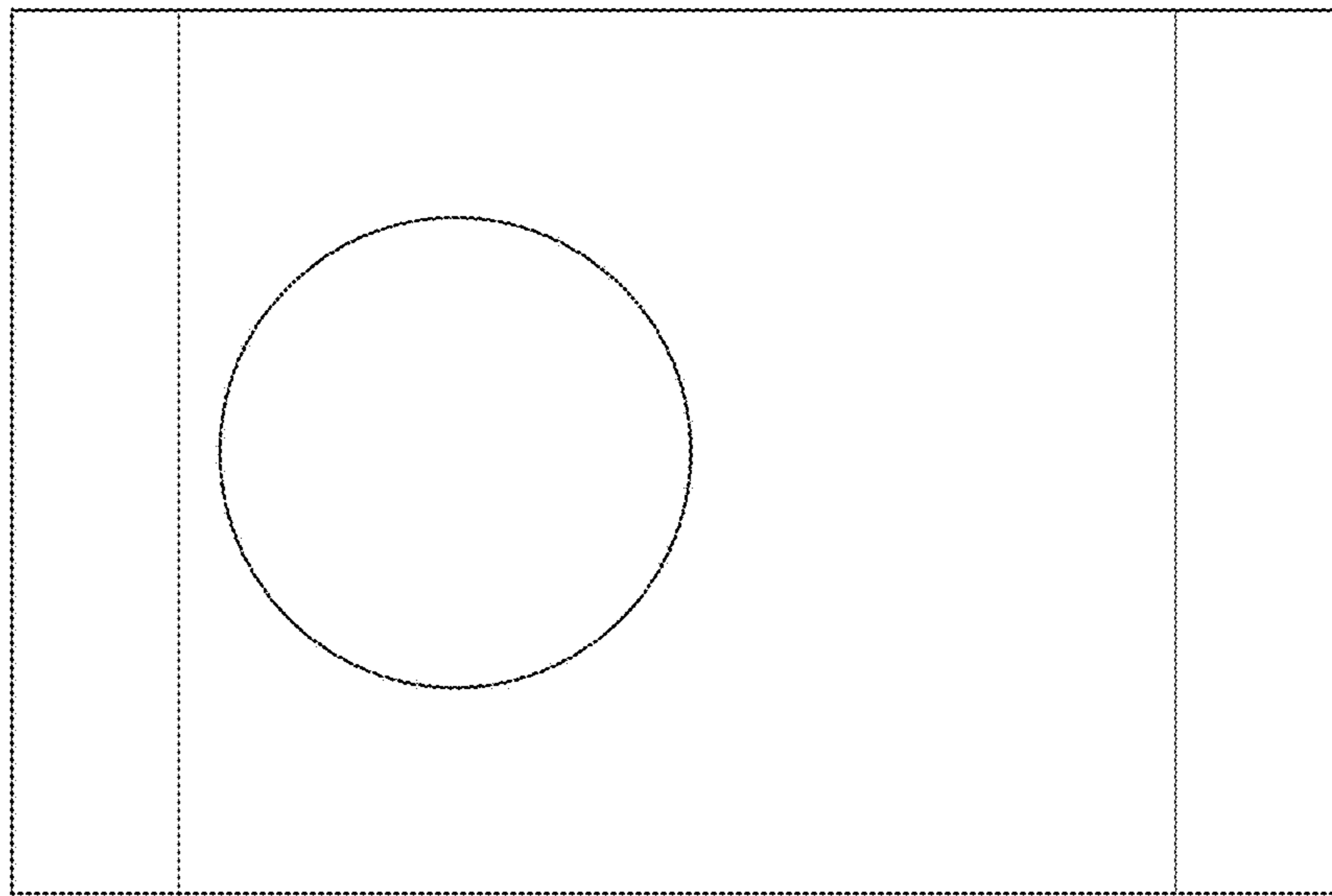


FIG. 6