



US00D853664S

(12) **United States Design Patent** (10) **Patent No.:** **US D853,664 S**  
**Ritchey** (45) **Date of Patent:** **\*\* Jul. 9, 2019**

(54) **EAR TAG COMPONENT**  
 (71) Applicant: **Craig E. Ritchey**, Brighton, CO (US)  
 (72) Inventor: **Craig E. Ritchey**, Brighton, CO (US)  
 (73) Assignee: **Craig E. Ritchey**, Brighton, CO (US)  
 (\*\*) Term: **15 Years**  
 (21) Appl. No.: **29/615,600**  
 (22) Filed: **Aug. 30, 2017**  
 (51) **LOC (11) Cl.** ..... **30-08**  
 (52) **U.S. Cl.**  
 USPC ..... **D30/155; D30/199**  
 (58) **Field of Classification Search**  
 USPC ..... D30/155, 199; D19/10; D20/43, 22;  
 40/300, 301, 1.5, 668, 304, 302, 622,  
 40/309, 664, 663, 662; 119/655, 814;  
 411/531, 500, 509, 508, 511, 530;  
 606/117, 116, 151, 213, 215, 220, 153,  
 606/185; D8/394, 373; D11/81, 116, 61,  
 D11/86, 44, 46, 226, 17, 221, 229, 223,  
 D11/220, 222, 99, 95, 88; 24/114.4,  
 24/114.11, 114.12, 113 R, 113 MP, 47,  
 24/711.1, 620, 704.1, 102 R; 2/265;  
 340/572.1, 573.3, 572.8; D21/389, 390,  
 D21/385, 370; D24/101-103; D1/114,  
 D1/127; 426/104; 273/282.1, 260, 290;  
 D3/211; D34/31, 35; D13/183, 171,  
 D13/174; D14/456; 248/309.4;  
 428/900; D9/772, 741; D32/61, 35;  
 D15/144; 63/12, 13, 29.1; 343/788;  
 29/512, 522.1; 424/422; 604/891.1;  
 285/915; 264/255, 272.11; 335/285,  
 335/296, 303; D10/106.9, 106.91, 106.92  
 CPC .... A01K 11/00; A01K 11/001; A01K 11/004;  
 A01K 11/006; A01K 11/008; A01K  
 11/003; A01K 11/002

See application file for complete search history.

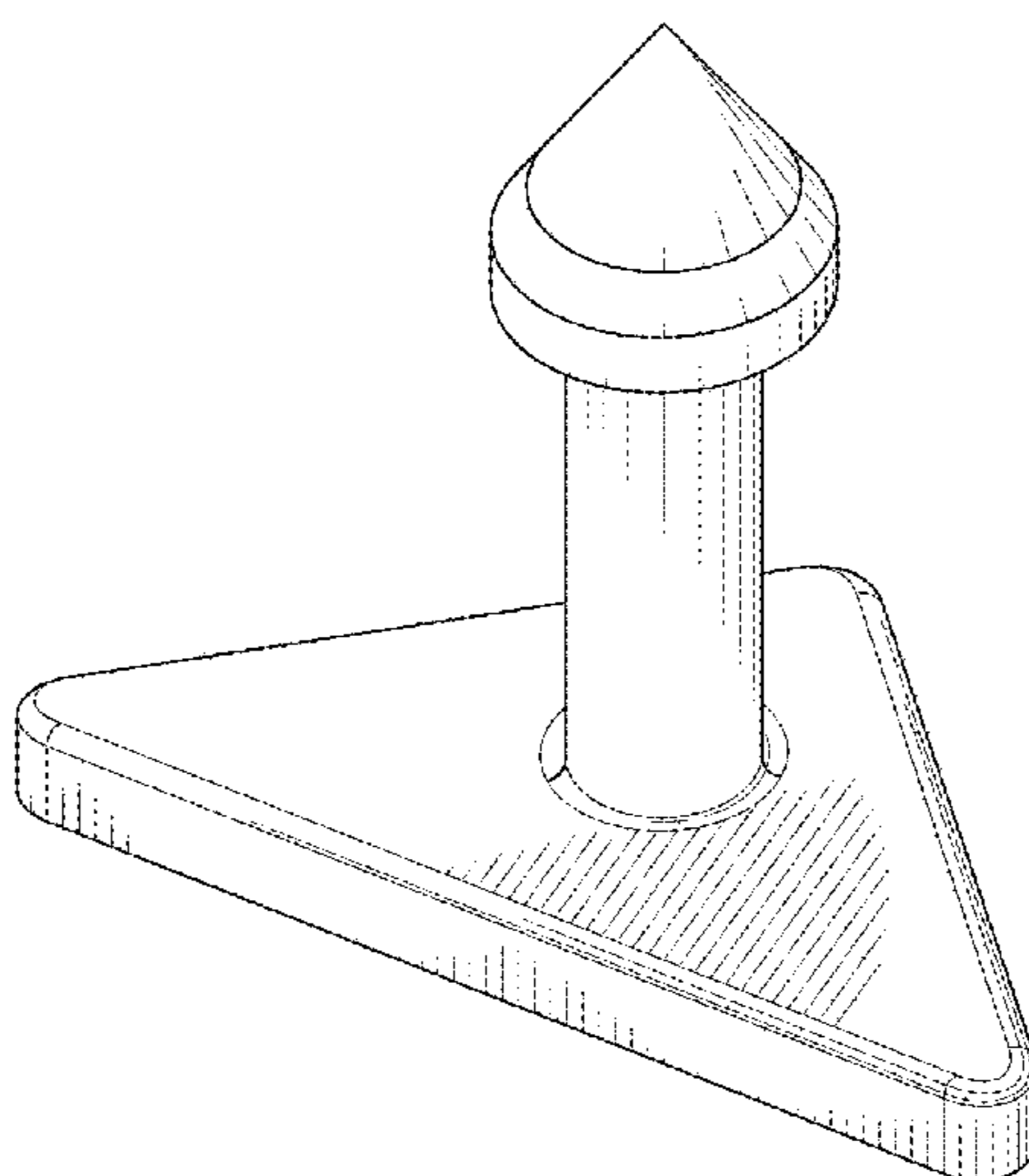
(56) **References Cited**  
 U.S. PATENT DOCUMENTS  
 D58,905 S \* 9/1921 Harrington ..... D9/414  
 D103,667 S \* 3/1937 Brogden ..... 229/115  
 2,446,629 A \* 8/1948 Brown ..... A47G 19/26  
 206/550  
 3,595,201 A \* 7/1971 Oudenhoven ..... A01K 11/001  
 116/200  
 3,620,403 A \* 11/1971 Rump ..... B65D 43/0212  
 206/551  
 3,785,337 A \* 1/1974 Flowerday ..... E01F 13/028  
 116/209  
 3,826,030 A \* 7/1974 Read ..... A01K 11/001  
 40/301  
 D234,294 S \* 2/1975 Gorman ..... D9/415  
 (Continued)

*Primary Examiner* — Susan Moon Lee  
 (74) *Attorney, Agent, or Firm* — Santangelo Law Offices,  
 P.C.

(57) **CLAIM**  
 The ornamental design for the ear tag component, as shown  
 and described.

**DESCRIPTION**  
 FIG. 1 is a perspective view of an ear tag component;  
 FIG. 2 is a front elevation view of the ear tag component of  
 FIG. 1;  
 FIG. 3 is a rear elevation view of the ear tag component of  
 FIG. 1;  
 FIG. 4 is right side elevation view of the ear tag component  
 of FIG. 1;  
 FIG. 5 is left side elevation view of the ear tag component  
 of FIG. 1;  
 FIG. 6 is top plan view of the ear tag component of FIG. 1;  
 and,  
 FIG. 7 is bottom plan view of the ear tag component of FIG.  
 1.

**1 Claim, 4 Drawing Sheets**



(56)

References Cited

U.S. PATENT DOCUMENTS

3,942,480 A *	3/1976	Hair	A01K 11/001	6,055,752 A *	5/2000	Ritchey	A01K 11/002
			119/655				40/301
3,958,353 A *	5/1976	Hayes	A01K 11/001	D427,438 S *	7/2000	Dudek	D6/300
			40/301	D433,231 S *	11/2000	Kaplan	D3/273
D241,539 S *	9/1976	Iverson	D20/22	D460,012 S *	7/2002	Proulx	D10/106.9
4,102,073 A *	7/1978	Hayes	A01K 11/001	D460,350 S *	7/2002	Davis	D9/499
			40/301	6,509,187 B2 *	1/2003	Brem	A01K 11/003
4,209,924 A *	7/1980	Fearing	A01K 11/001				422/243
			40/301	D474,417 S *	5/2003	Belden, Jr.	D10/106.9
4,250,643 A *	2/1981	Mackenzie	A01K 11/001	6,907,684 B2 *	6/2005	Volk	A01K 11/004
			40/301				40/300
D270,673 S *	9/1983	Erdmann	D30/155	D519,687 S *	4/2006	Zahav	D20/22
4,451,999 A *	6/1984	Yvorra	A01K 11/001	D582,711 S *	12/2008	Quisenberry	D6/553
			40/301	D598,429 S *	8/2009	Nakatani	D14/214
4,579,085 A *	4/1986	McGuire	A01K 13/003	D601,884 S *	10/2009	Andre	D9/430
			119/655	7,690,141 B2 *	4/2010	Steinfert	A01K 11/004
4,581,834 A *	4/1986	Zatkos	A01K 11/001				119/655
			119/655	D616,738 S *	6/2010	Andre	D9/430
4,597,208 A *	7/1986	Chevillot	A01K 11/001	7,779,566 B2 *	8/2010	Kassouni	A01K 3/00
			40/301				40/308
4,613,847 A *	9/1986	Scolari	B60Q 7/00	7,937,861 B1 *	5/2011	Zacher	A01K 11/002
			116/63 C				40/301
4,635,389 A *	1/1987	Oudelette	A01K 11/001	D640,227 S *	6/2011	Wada	D14/149
			40/301	8,099,884 B2 *	1/2012	van Wijk	A01K 11/006
4,646,455 A *	3/1987	Gardner	A01K 11/001				40/301
			40/300	D670,196 S *	11/2012	Dunn	D11/184
4,696,119 A *	9/1987	Howe	A01K 11/002	D679,458 S *	4/2013	Decaluwe	D30/155
			40/301	D683,192 S *	5/2013	Schwartz	D7/629
4,741,117 A *	5/1988	Fearing	A01K 11/001	D688,920 S *	9/2013	Manley	D7/629
			40/301	D698,682 S *	2/2014	Kosloski	D10/106.9
4,748,757 A *	6/1988	Howe	A01K 11/001	8,701,317 B2 *	4/2014	Le Devehat	A01K 11/001
			40/301				40/302
4,750,284 A *	6/1988	Parry	A01K 11/001	D707,550 S *	6/2014	Limback	D9/424
			119/655	D747,888 S *	1/2016	Olson	D6/300
4,854,328 A *	8/1989	Pollack	A61B 5/0008	D758,741 S *	6/2016	Sussman	D32/46
			600/549	D758,905 S *	6/2016	Evans	D10/106.1
D303,766 S *	10/1989	Delbanco	D9/782	2002/0107127 A1 *	8/2002	Buisson	B65D 1/14
4,953,313 A *	9/1990	Scott	A01K 11/001				493/80
			40/301	2003/0221344 A1 *	12/2003	Volk	A01K 11/00
D312,423 S *	11/1990	Orlinsky	D10/106.1				40/301
5,016,369 A *	5/1991	Parry	A01K 11/001	2004/0144004 A1 *	7/2004	Constatini	A01K 11/001
			119/655				40/301
5,076,437 A *	12/1991	Schindler	A45C 11/20	2004/0199116 A1 *	10/2004	Trompen	A01K 11/001
			206/508				604/131
D325,268 S *	4/1992	Wittick	D30/155	2007/0006494 A1 *	1/2007	Hayes	A01K 11/001
5,152,249 A *	10/1992	Howe	A01K 11/001				40/301
			119/655	2007/0057085 A1 *	3/2007	Trompen	A01K 11/001
D339,996 S *	10/1993	Rattley	D10/104.1				239/36
5,308,351 A *	5/1994	Nehls	A01K 11/006	2007/0199215 A1 *	8/2007	Gardner	A01K 11/001
			40/300				40/301
5,349,920 A *	9/1994	Koizumi	B60Q 7/02	2008/0034626 A1 *	2/2008	Brem	A01K 11/003
			116/209				40/300
D353,165 S *	12/1994	LeMarr	D21/398	2008/0222930 A1 *	9/2008	Pennington	A01K 11/001
5,461,805 A *	10/1995	Johnson	A01K 11/001				40/301
			119/814	2008/0250682 A1 *	10/2008	Costantini	A01K 11/001
5,643,284 A *	7/1997	Hicks	A01K 11/001				40/301
			40/301	2010/0325926 A1 *	12/2010	Hilpert	A01K 11/001
D390,275 S *	2/1998	Wolff	D20/22				40/301
5,725,261 A *	3/1998	Rahn	A01K 11/001	2011/0088295 A1 *	4/2011	Ibsen	A01K 11/001
			292/307 R				40/301
				2016/0192622 A1 *	7/2016	Yeum	A01K 11/004
							40/301

\* cited by examiner

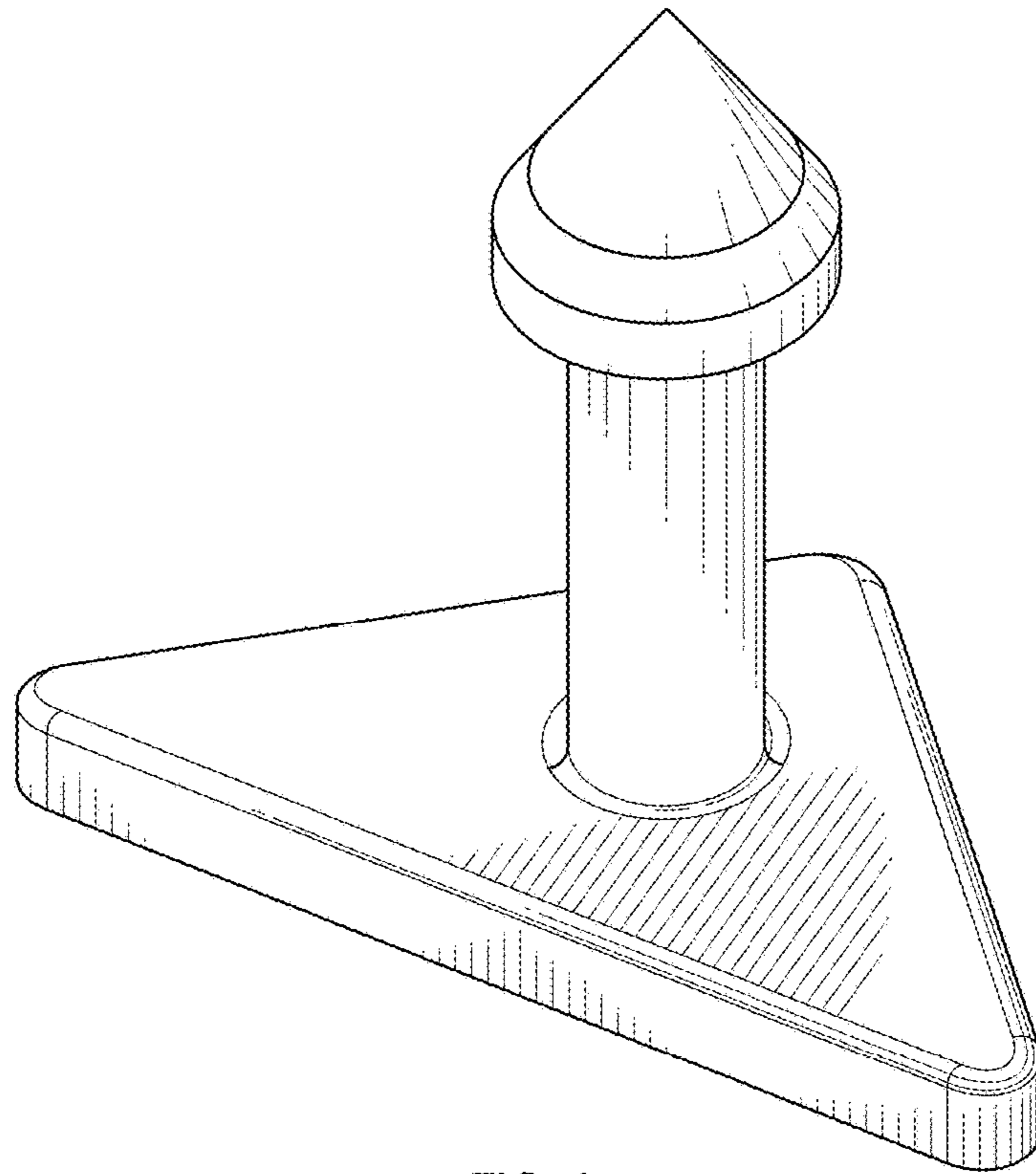


FIG. 1

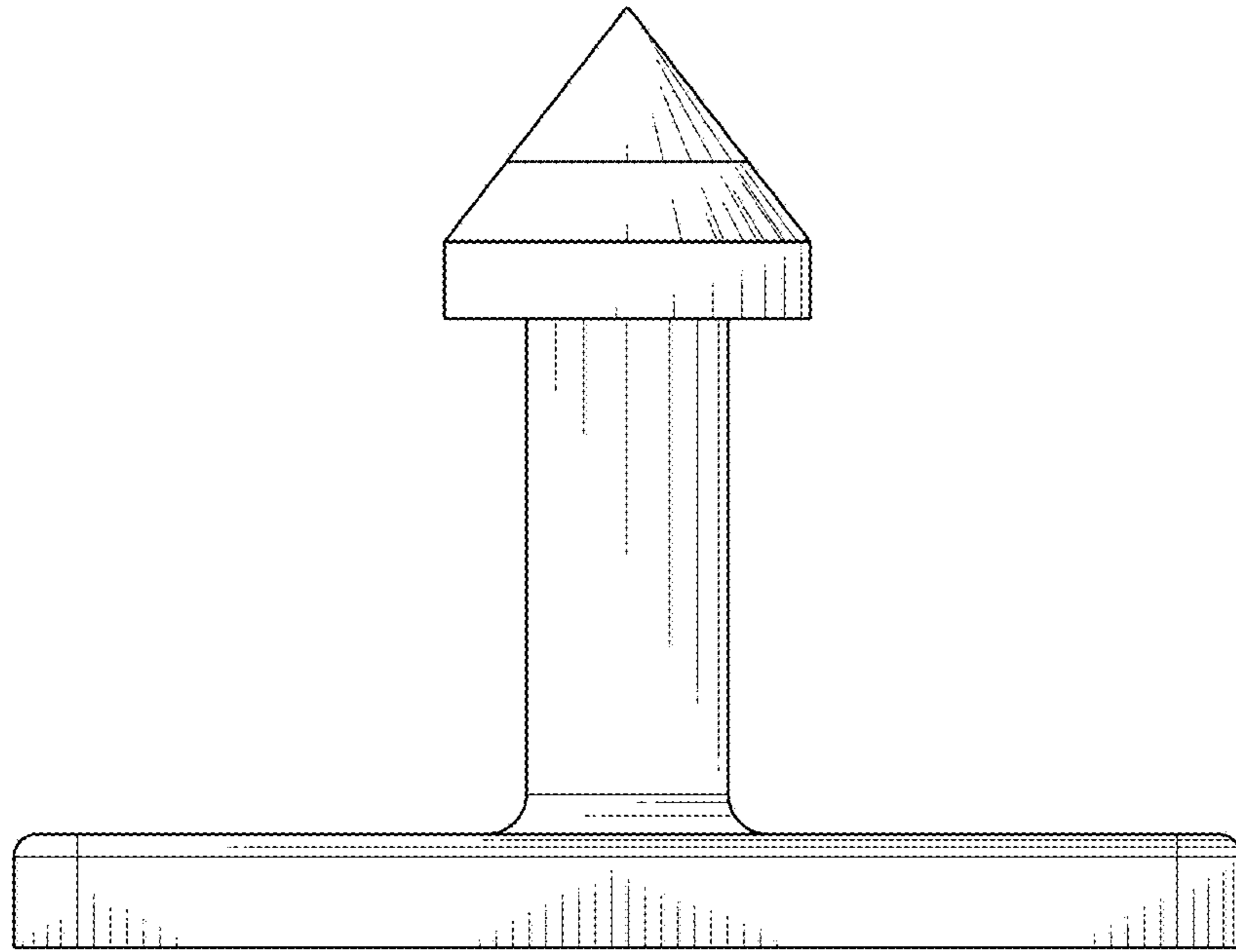


FIG. 2

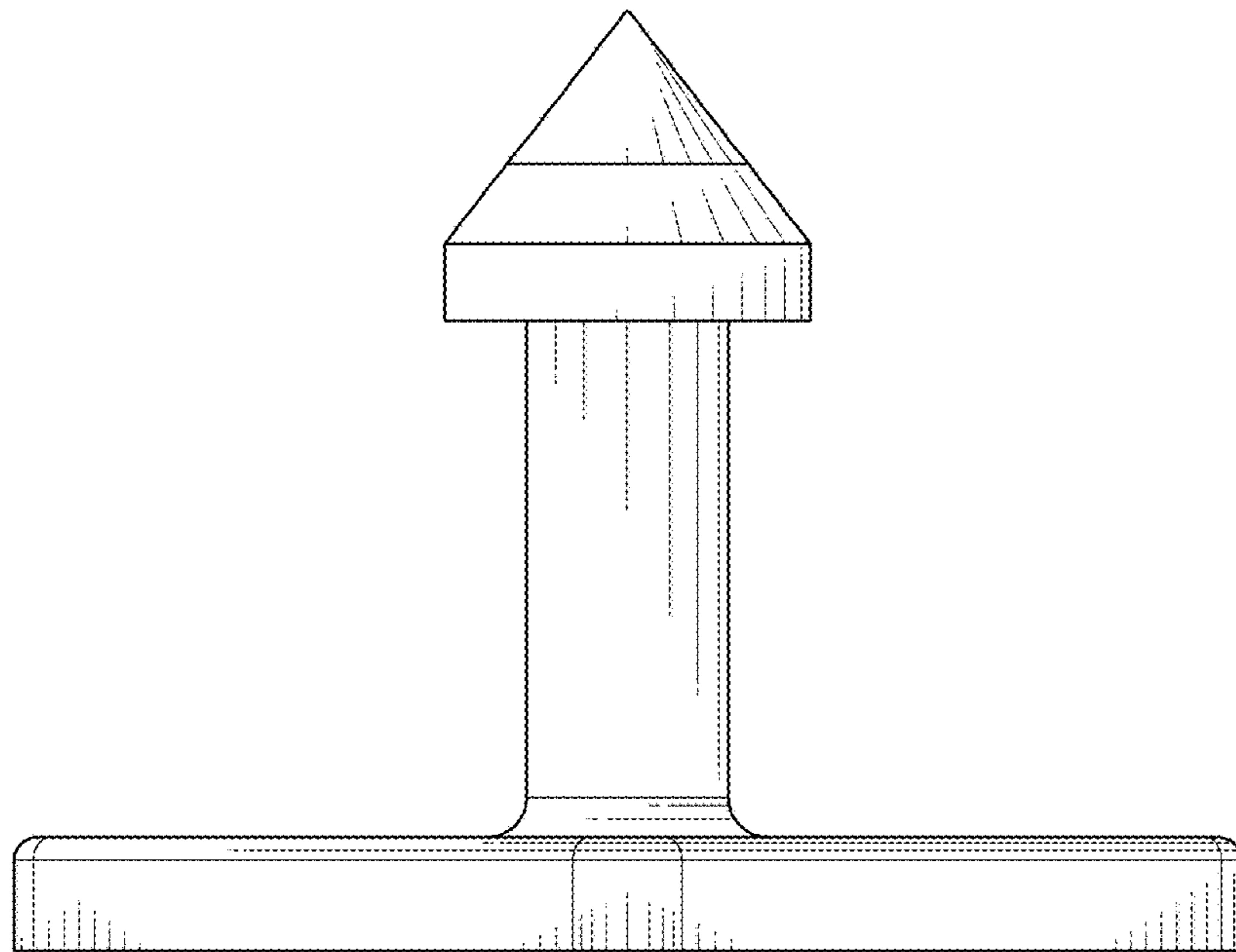


FIG. 3

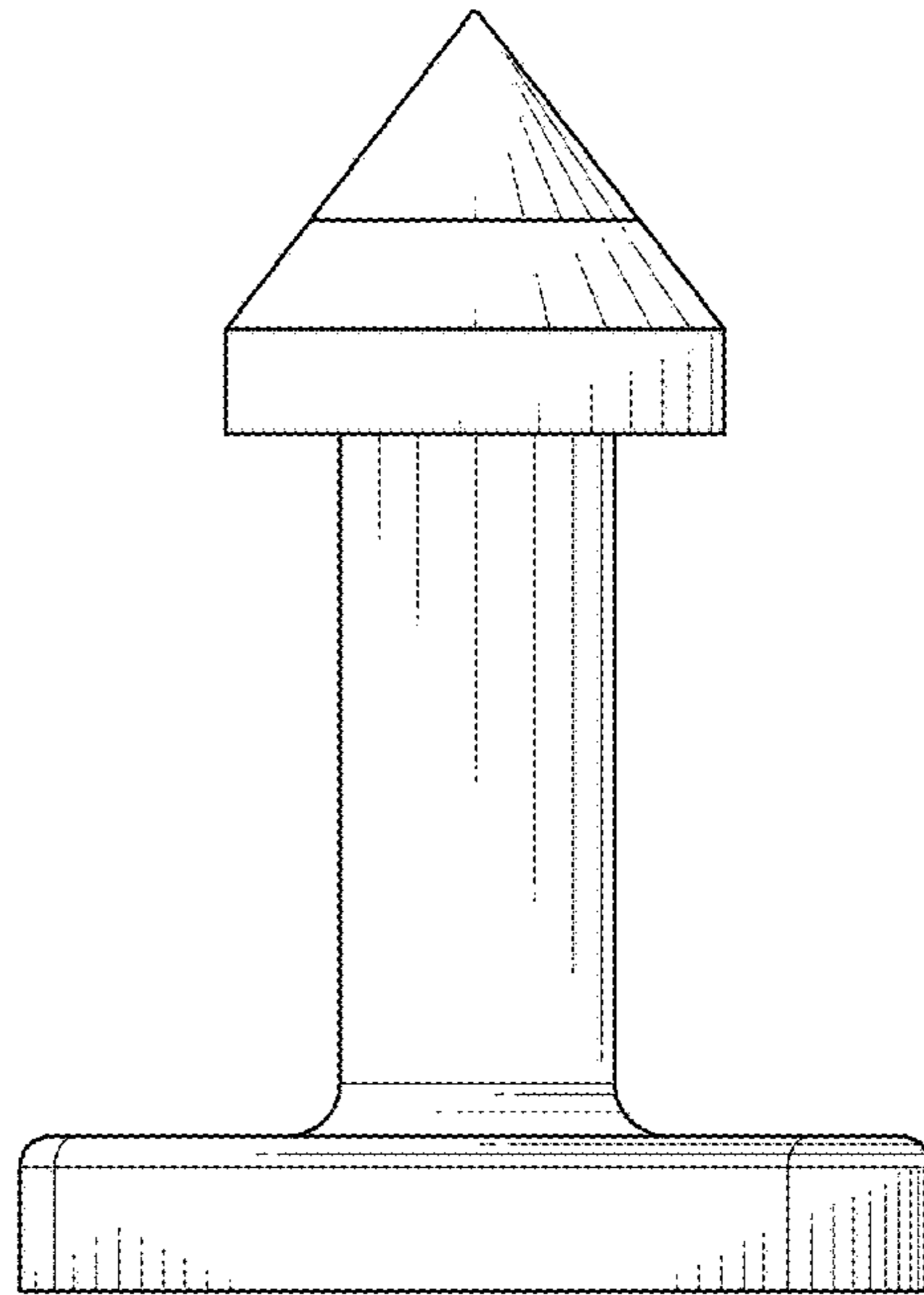


FIG. 4

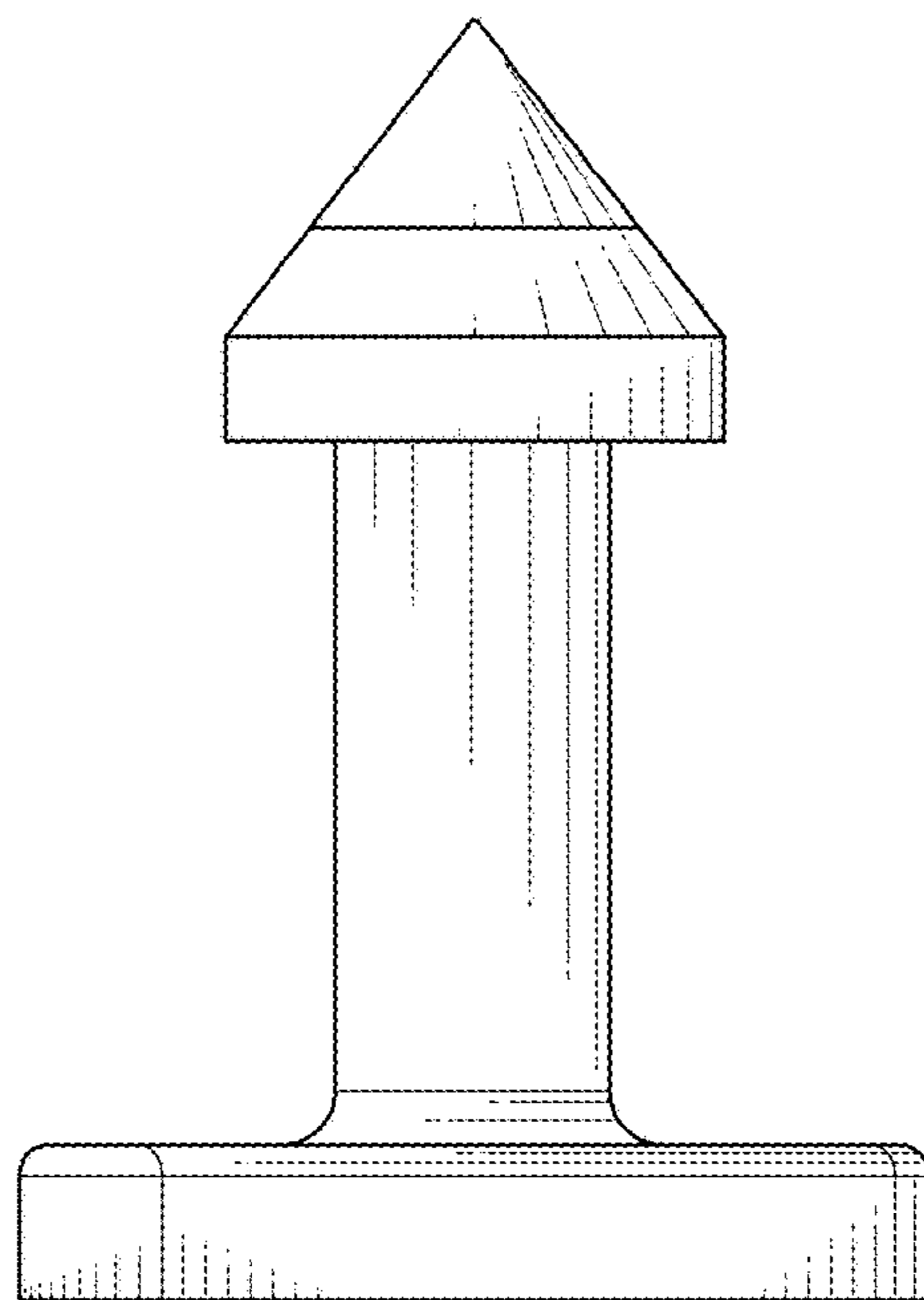


FIG. 5

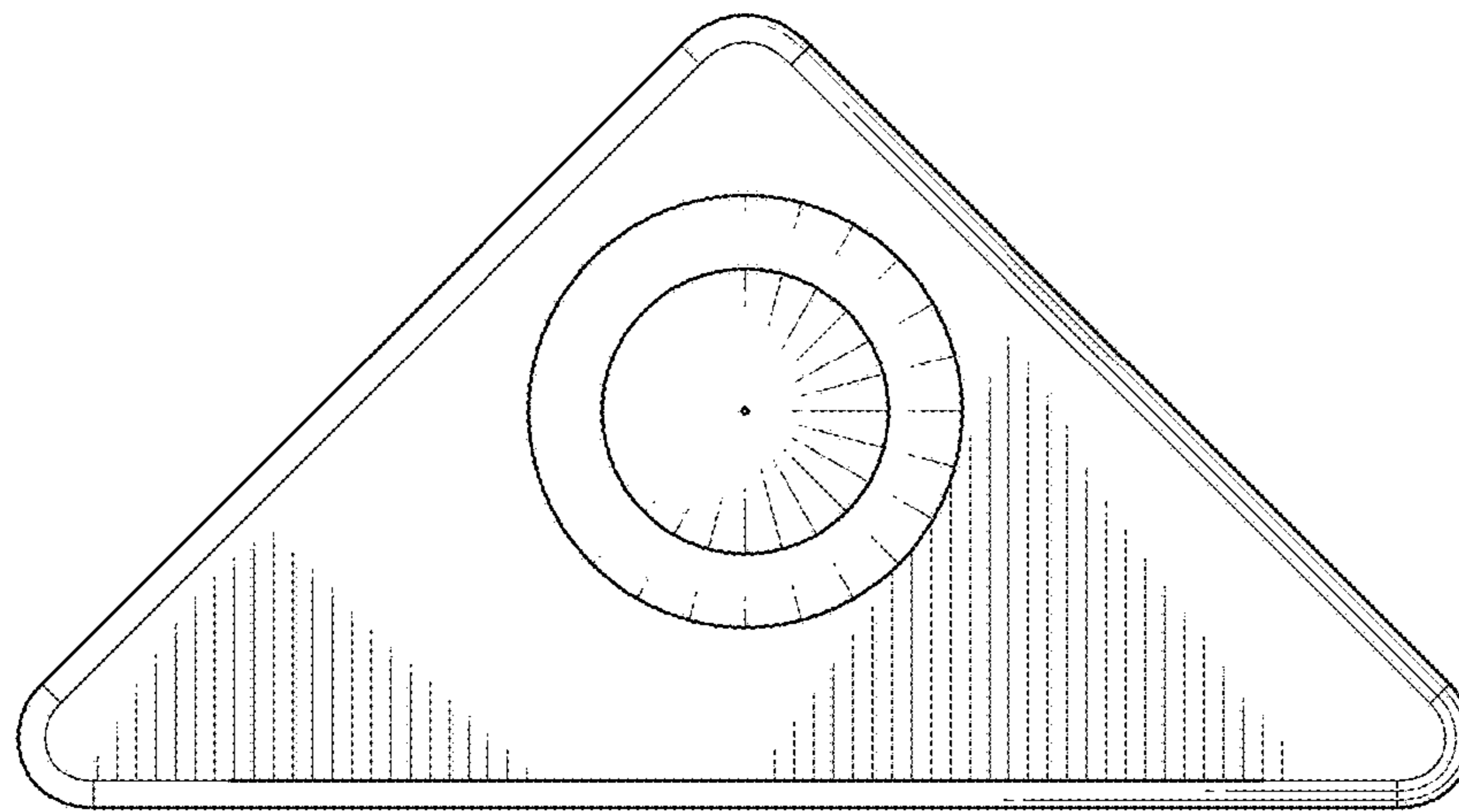


FIG. 6

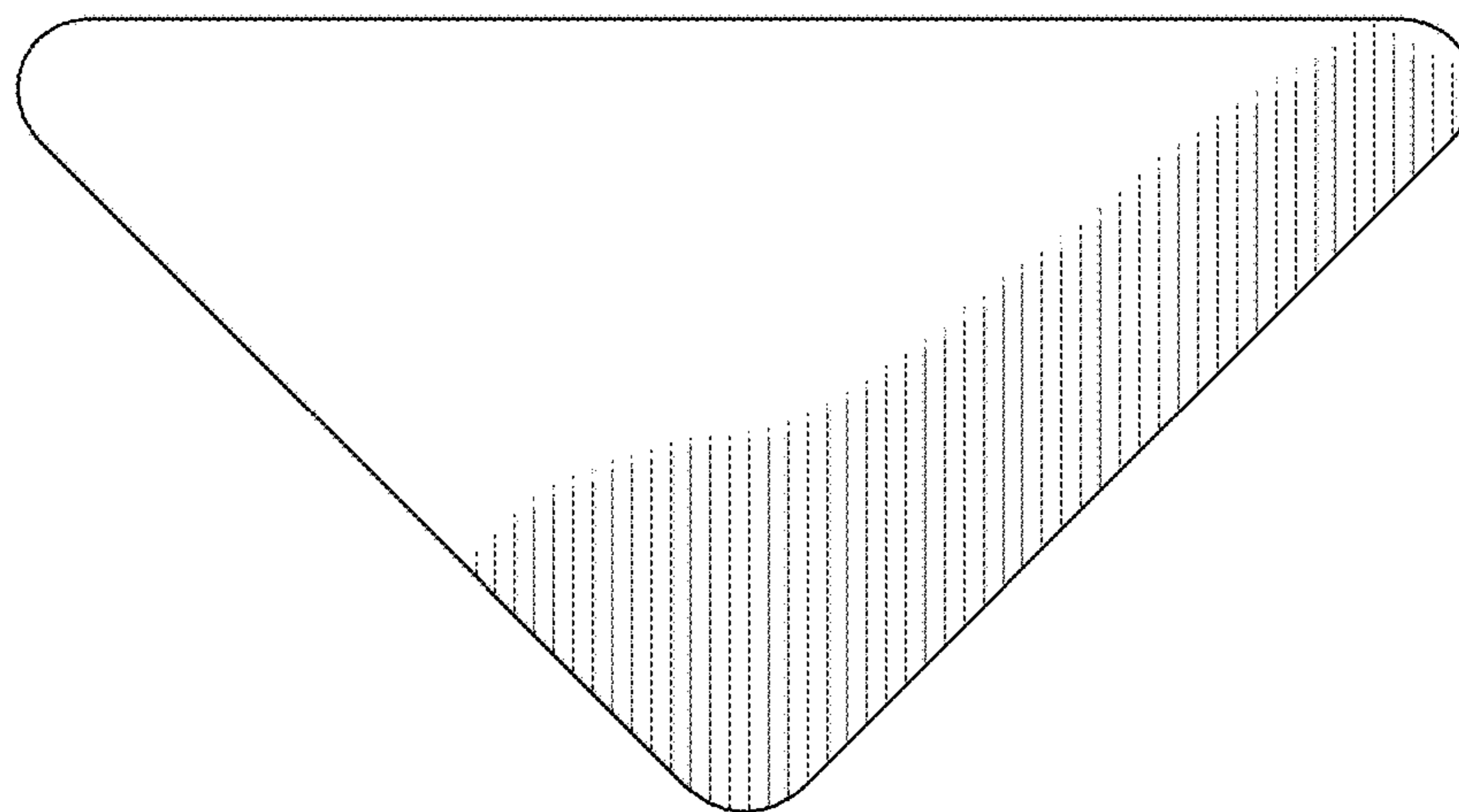


FIG. 7