



US00D853663S

(12) **United States Design Patent**
Song

(10) **Patent No.:** **US D853,663 S**
(45) **Date of Patent:** **** Jul. 9, 2019**

- (54) **EXPANDABLE PET BOWL**
- (71) Applicant: **Xingfu Song**, Shenzhen (CN)
- (72) Inventor: **Xingfu Song**, Shenzhen (CN)
- (**) Term: **15 Years**
- (21) Appl. No.: **29/603,136**
- (22) Filed: **May 7, 2017**
- (51) **LOC (11) Cl.** **30-03**
- (52) **U.S. Cl.**
USPC **D30/129**
- (58) **Field of Classification Search**
USPC D30/121, 122, 129-133; 119/61.5, 51.01, 119/61.56, 51.03, 59, 62, 63, 51.5, 57.8, 119/74, 61.54, 61.55; 312/204; 248/151, 248/188; 108/156, 153.1-157; 220/6, 220/23.87, 630, 737, 743, 9.4, 495.01, 220/574, 212, 255, 23.83, 606, 657, 8, 220/669, 666, 575; 206/515; D7/586, D7/543, 550.1, 587, 505, 584, 545, 500, D7/553.1-553.8, 546, 555, 556, 504, 565, D7/562, 602, 676, 544, 548, 675, 554.2, D7/551.1, 672, 677, 560, 629; D9/429, D9/425, 603; 43/109; D22/122; 99/430, 99/DIG. 15; D27/106, 113, 114; 229/406; 426/104; D32/29.1; D10/46.2
CPC A01K 5/0114-5/0142; A01K 7/005; A45C 7/0036; A45C 7/0031; A45F 3/20; A45F 2003/205; A47G 19/02; A47G 19/23; A47G 19/30; A47G 2019/2277; A47G 2019/2294; A47G 23/04; A47J 43/0727; B65D 21/086; B65D 21/08; B65D 1/225; B65D 1/24; B65D 1/32
See application file for complete search history.

- 1,669,284 A * 5/1928 Chetham B01D 35/28
210/470
- D75,427 S * 6/1928 Joseph D7/354
- 1,699,585 A * 1/1929 Earles B26B 23/00
30/301
- 2,015,097 A * 9/1935 Bowman A23G 3/0268
206/457
- D105,901 S * 8/1937 Schwartz D11/80
- D109,800 S * 5/1938 Foss 63/15
- D117,858 S * 11/1939 Thorley D7/545
- 2,591,328 A * 4/1952 Yanik A01K 47/04
426/104

(Continued)

Primary Examiner — Susan Moon Lee

(57) **CLAIM**

The ornamental design for an expandable pet bowl, as shown.

DESCRIPTION

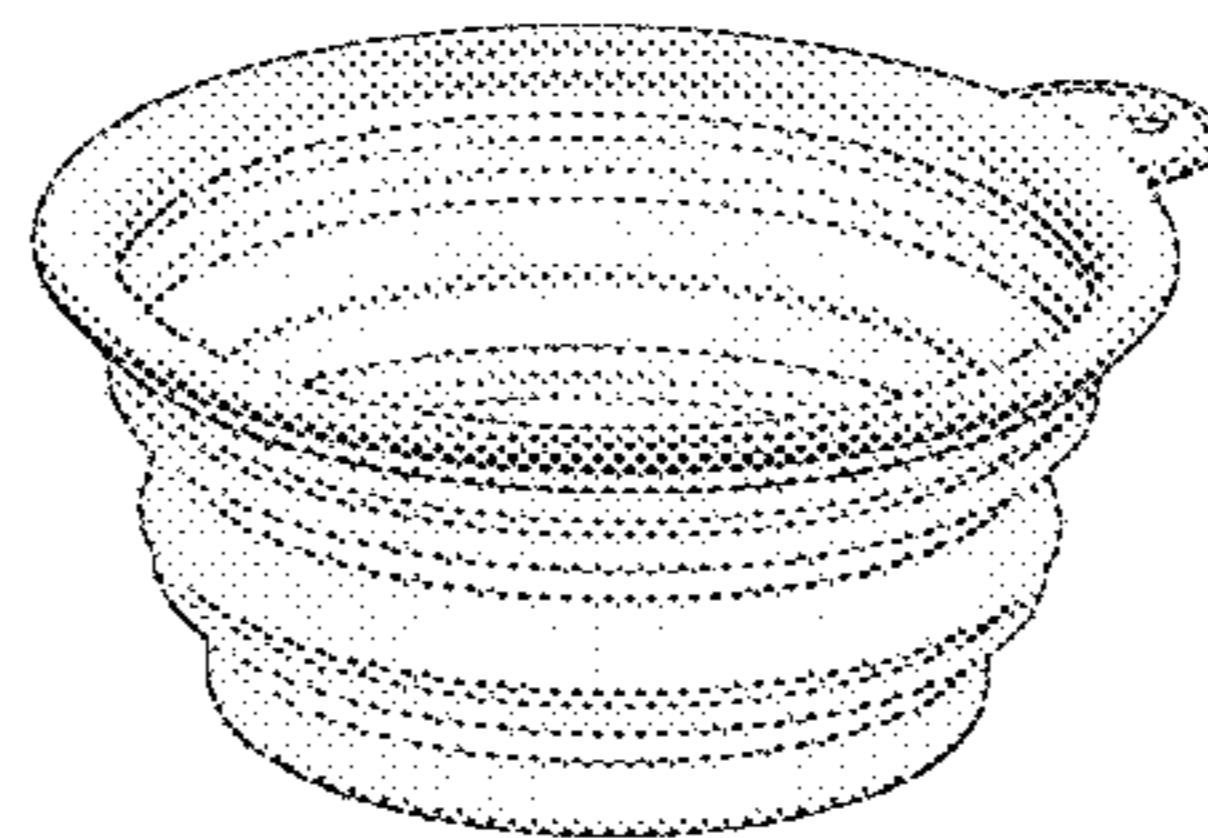
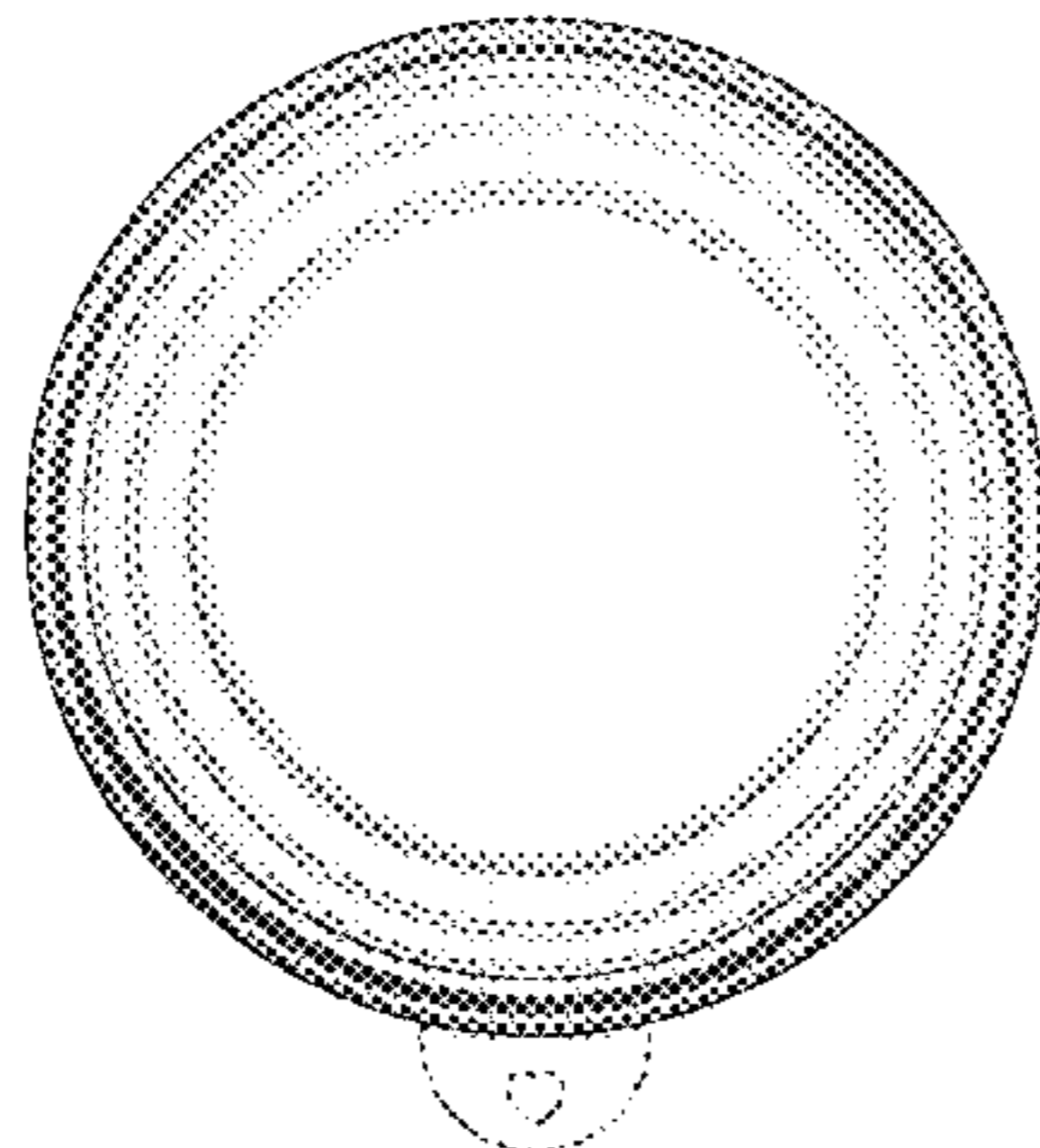
FIG. 1 is a front elevational view of an expandable pet bowl showing my new design;
 FIG. 2 is a rear elevational view thereof;
 FIG. 3 is a left side elevational view thereof;
 FIG. 4 is a top plan view thereof;
 FIG. 5 is a bottom plan view thereof;
 FIG. 6 is a front perspective view thereof;
 FIG. 7 is a perspective view of the expandable pet bowl shown configured in one incremental position of collapsed retraction;
 FIG. 8 is a perspective view of the expandable pet bowl shown configured in another incremental position of collapsed retraction;
 FIG. 9 is a perspective view of the expandable pet bowl shown configured in a nearly fully collapsed position; and,
 FIG. 10 is a perspective view of the expandable pet bowl in its fully collapsed configuration.

1 Claim, 10 Drawing Sheets

(56) **References Cited**

U.S. PATENT DOCUMENTS

- 763,732 A * 6/1904 Dickson B22D 7/06
249/168
- 1,048,546 A * 12/1912 Ketcham B01D 35/28
141/367



(56)

References Cited

U.S. PATENT DOCUMENTS

3,016,178	A *	1/1962	Knocks	B65D 11/00	229/116.2	D593,383	S *	6/2009	Pallotto	D7/700
3,128,724	A *	4/1964	Linder	A21B 3/13	220/529	D597,262	S *	7/2009	Shamoon	D30/130
3,220,544	A *	11/1965	Lovell	A61J 7/0046	206/218	D610,193	S *	2/2010	Herrenbruck	D19/1
D213,428	S *	3/1969	Batdorf	D9/429		D611,769	S *	3/2010	Hauser	D7/584
D246,704	S *	12/1977	Ophir	D11/103		D614,453	S *	4/2010	Curtin	D7/629
D252,743	S *	8/1979	Jaramillo	D11/56		D618,862	S *	6/2010	Shamoon	D30/121
4,377,191	A *	3/1983	Yamaguchi	B65D 1/14	220/665	D619,039	S *	7/2010	Sandberg	D11/103
D321,572	S *	11/1991	Laden	D30/129		D620,767	S *	8/2010	Lion	D7/675
D330,785	S *	11/1992	Jordan	D30/129		D629,264	S *	12/2010	Curtin	D7/602
D342,181	S *	12/1993	White	D6/595		D633,266	S *	2/2011	Tuan	D32/53
D349,005	S *	7/1994	Cousins	D7/543		D639,015	S *	5/2011	Freeman	D99/8
D351,263	S *	10/1994	Evans	D30/129		D645,261	S *	9/2011	Puskas	D6/303
5,439,128	A *	8/1995	Fishman	A45F 3/20	206/218	D645,705	S *	9/2011	Shamoon	D7/543
D373,050	S *	8/1996	Brewer	D7/505		D652,258	S *	1/2012	Lee	D7/543
D395,372	S *	6/1998	Simpson	D6/611		D652,664	S *	1/2012	Nickerson	D6/330
D405,561	S *	2/1999	Willinger	D30/129		D652,745	S *	1/2012	Lee	D10/46.2
5,900,293	A *	5/1999	Zettle	B29C 49/04	220/666	D656,429	S *	3/2012	Cadigan	D11/96
D412,448	S *	8/1999	Bentson	D10/46.2		D656,800	S *	4/2012	Lee	D7/667
D420,618	S *	2/2000	Minister	D11/103		D662,794	S *	7/2012	Enghard	D7/700
D434,689	S *	12/2000	Nasr	D11/83		D664,003	S *	7/2012	Nagoya	D7/400
D452,417	S *	12/2001	Whitmore	D7/543		D665,541	S *	8/2012	Shamoon	D30/121
D466,655	S *	12/2002	Zelinger	D30/129		D666,770	S *	9/2012	Hsu	D28/41
D473,413	S *	4/2003	Huang	D6/601		D669,391	S *	10/2012	Cadigan	D11/133
D473,693	S *	4/2003	Windsor	D1/112		D669,738	S *	10/2012	Chen	D7/543
D474,128	S *	5/2003	Bonnet	D11/103		D669,750	S *	10/2012	Lee	D7/700
D477,186	S *	7/2003	de Groote	D7/543		8,313,000	B1 *	11/2012	Tuan	B65D 21/086
D480,010	S *	9/2003	Manning	D11/83							220/573.1
D480,322	S *	10/2003	Manning	D11/82		D672,200	S *	12/2012	Lee	D7/543
D480,658	S *	10/2003	Manning	D11/82		D675,482	S *	2/2013	Heggstad	D7/400
6,640,362	B1 *	11/2003	Kimball	A47G 9/0223	128/854	8,381,640	B1 *	2/2013	Wilson	A47J 37/10
D483,225	S *	12/2003	Gain	D7/512							210/464
D492,455	S *	6/2004	Herrenbruck	D21/713		D679,066	S *	4/2013	Zaleski, Jr.	D1/128
D506,407	S *	6/2005	Gruosi-Scheufele	D11/54		D680,377	S *	4/2013	Romley	D7/523
D510,295	S *	10/2005	Lehman	D11/152		D680,389	S *	4/2013	Zemel	D7/672
D514,272	S *	2/2006	Feilen	D1/106		D680,813	S *	4/2013	De Leo	D7/543
D522,809	S *	6/2006	Kusuma	B65D 21/086	D7/545	D682,617	S *	5/2013	Miksovsky	D7/507
D529,746	S *	10/2006	Soleymani	D6/601		D682,619	S *	5/2013	Lee	D7/543
D531,384	S *	11/2006	Wang	D1/112		8,485,388	B2 *	7/2013	Tuan	A47G 19/12
D536,737	S *	2/2007	Lee	D19/90							206/218
D542,171	S *	5/2007	Olson	D11/1		D687,338	S *	8/2013	Cadigan	D11/96
D544,811	S *	6/2007	Perkins	D11/117		D688,019	S *	8/2013	Lee	D32/55
D545,137	S *	6/2007	Furlong	D7/629		D688,924	S *	9/2013	Enghard	D7/700
7,225,841	B2 *	6/2007	Folk	B65D 1/0292	141/10	8,560,031	B2 *	10/2013	Barnett	F16M 11/10
D550,036	S *	9/2007	Holcomb	D7/512							455/575.8
D552,433	S *	10/2007	Stewart	D7/667		D694,595	S *	12/2013	Slocum	D7/698
D558,001	S *	12/2007	Stewart	D7/667		D696,074	S *	12/2013	Shamoon	D7/527
D558,536	S *	1/2008	Curtin	D7/667		D699,076	S *	2/2014	Harris	D30/130
D558,537	S *	1/2008	Curtin	D7/667		D701,424	S *	3/2014	Shamoon	D10/46.2
D558,538	S *	1/2008	Curtin	D7/667		D708,470	S *	7/2014	Heiberg	D7/354
D558,539	S *	1/2008	Curtin	D7/667		D712,209	S *	9/2014	Hager	D7/700
D560,106	S *	1/2008	Curtin	D7/700		D714,105	S *	9/2014	Lee	D7/667
D562,159	S *	2/2008	Griffith	D10/46.2		8,887,942	B2 *	11/2014	Miksovsky	B65D 1/40
D563,607	S *	3/2008	Northrop	D30/129							206/218
D564,138	S *	3/2008	Dunn	D30/129		D718,579	S *	12/2014	Lee	D7/667
D564,307	S *	3/2008	Repp	D7/667		D718,580	S *	12/2014	Lee	D7/667
D571,614	S *	6/2008	Curtin	D7/545		D719,410	S *	12/2014	Lee	D7/602
D574,673	S *	8/2008	Tsui	D7/667		D719,864	S *	12/2014	Wempe	D11/1
D577,466	S *	9/2008	Shamoon	D30/121		D722,814	S *	2/2015	Heiberg	D7/354
D580,799	S *	11/2008	Curtin	D10/46.2		D725,441	S *	3/2015	Lee	D7/667
D582,101	S *	12/2008	Shamoon	D30/129		D729,005	S *	5/2015	Lee	D7/399
D582,218	S *	12/2008	Curtin	D7/540		D731,260	S *	6/2015	Cotter	D7/667
D584,110	S *	1/2009	Hauser	D7/629		D731,862	S *	6/2015	Kent	D7/667
D584,967	S *	1/2009	Shamoon	D10/46.2		D731,863	S *	6/2015	Lee	D7/667
D588,947	S *	3/2009	Curtin	D10/46.2		D732,993	S *	6/2015	Shabot	D11/1
D591,590	S *	5/2009	Wilson	D9/428		D739,475	S *	9/2015	Reed	D21/472
							9,119,507	B2 *	9/2015	Abrams	A47J 41/0022
							D745,800	S *	12/2015	Exley	D7/354
							9,221,582	B2 *	12/2015	Wheeler	B65D 21/086
							D746,640	S *	1/2016	Myoung	D7/527
							D773,126	S *	11/2016	Scaba	D30/129
							D777,520	S *	1/2017	Singlaub	D7/512
							D778,668	S *	2/2017	Hojo	D7/400
							D779,886	S *	2/2017	Singlaub	D7/512
							D788,637	S *	6/2017	Cynn	D11/160
							D793,902	S *	8/2017	Cynn	D11/160
							9,723,942	B2 *	8/2017	Do	A47J 31/0626
							D801,210	S *	10/2017	Behney	D11/81
							9,894,878	B2 *	2/2018	Abbey	A01K 5/01
							9,926,105	B2 *	3/2018	Tsui	A45F 3/20

(56)

References Cited

U.S. PATENT DOCUMENTS

D816,278 S * 4/2018 Keil D30/129
D818,229 S * 5/2018 Ha D32/29.1
9,992,970 B2 * 6/2018 Abbey A01K 5/00
D823,643 S * 7/2018 Paul D7/584
D828,068 S * 9/2018 Tsui D7/313
D830,734 S * 10/2018 Jerome-Miller D6/601
D832,051 S * 10/2018 Charleson D7/512
D840,197 S * 2/2019 Lee D7/667
D840,760 S * 2/2019 Carrette D7/602
10,196,169 B2 * 2/2019 Tsui A45C 7/0031
2003/0230588 A1 * 12/2003 Zepter A47J 27/002
220/669
2005/0127073 A1 * 6/2005 Kusuma B65D 21/086
220/6
2006/0096929 A1 * 5/2006 Repp A47J 19/00
210/740
2006/0273094 A1 * 12/2006 Cohen A47G 19/02
220/780
2007/0251874 A1 * 11/2007 Stewart A47J 43/22
210/232
2008/0099476 A1 * 5/2008 Fung A47J 36/02
220/6
2008/0230462 A1 * 9/2008 Curtin A47J 43/24
210/232
2009/0114657 A1 * 5/2009 Hsu A47G 19/02
220/574
2009/0183565 A1 * 7/2009 Shamoon G01F 19/00
73/426
2009/0199775 A1 * 8/2009 Shamoon A01K 5/0114
119/61.56
2010/0140279 A1 * 6/2010 Tyson B65D 11/02
220/666
2013/0277364 A1 * 10/2013 Kusuma A45F 3/20
220/8

* cited by examiner

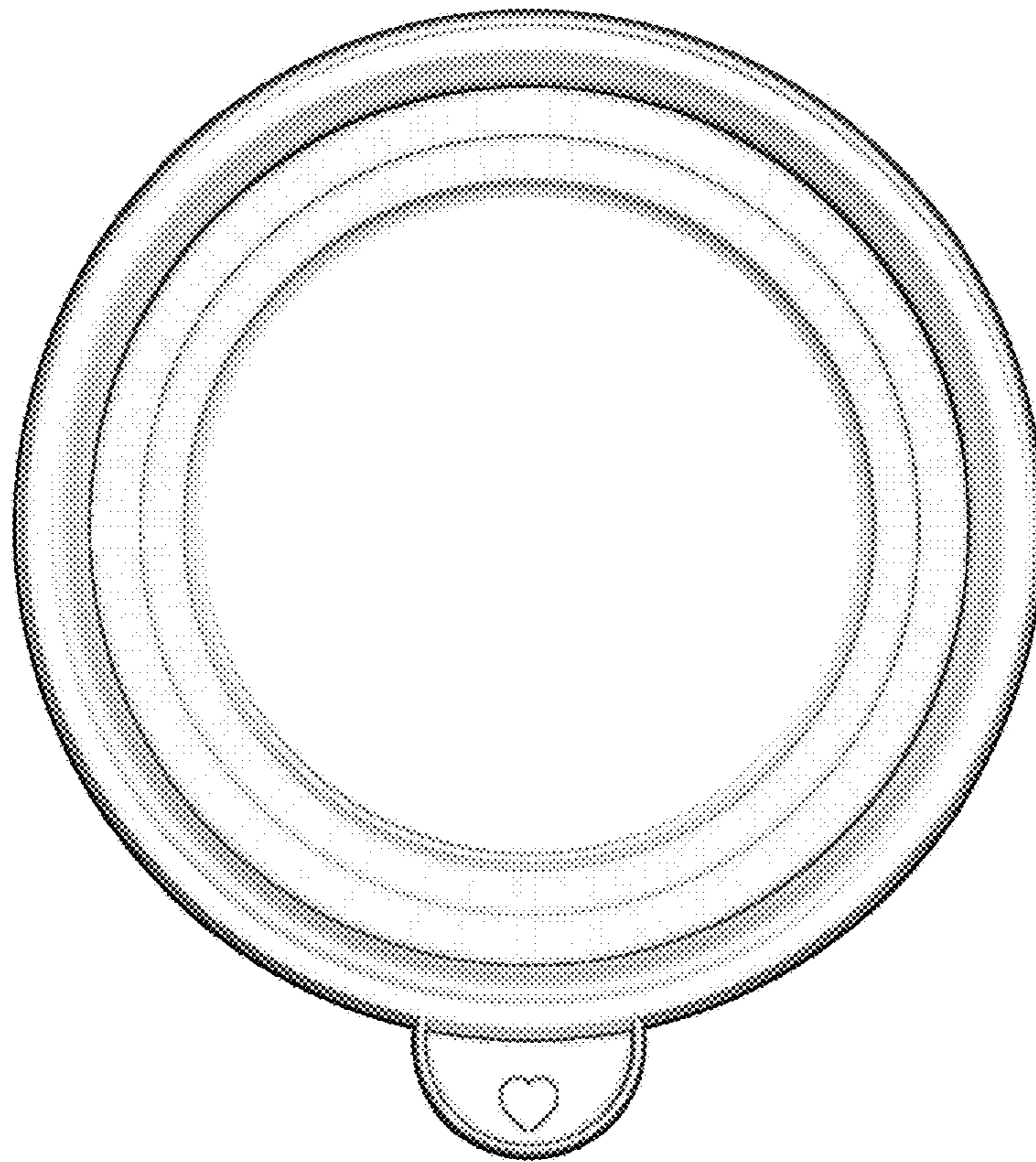


FIG.1

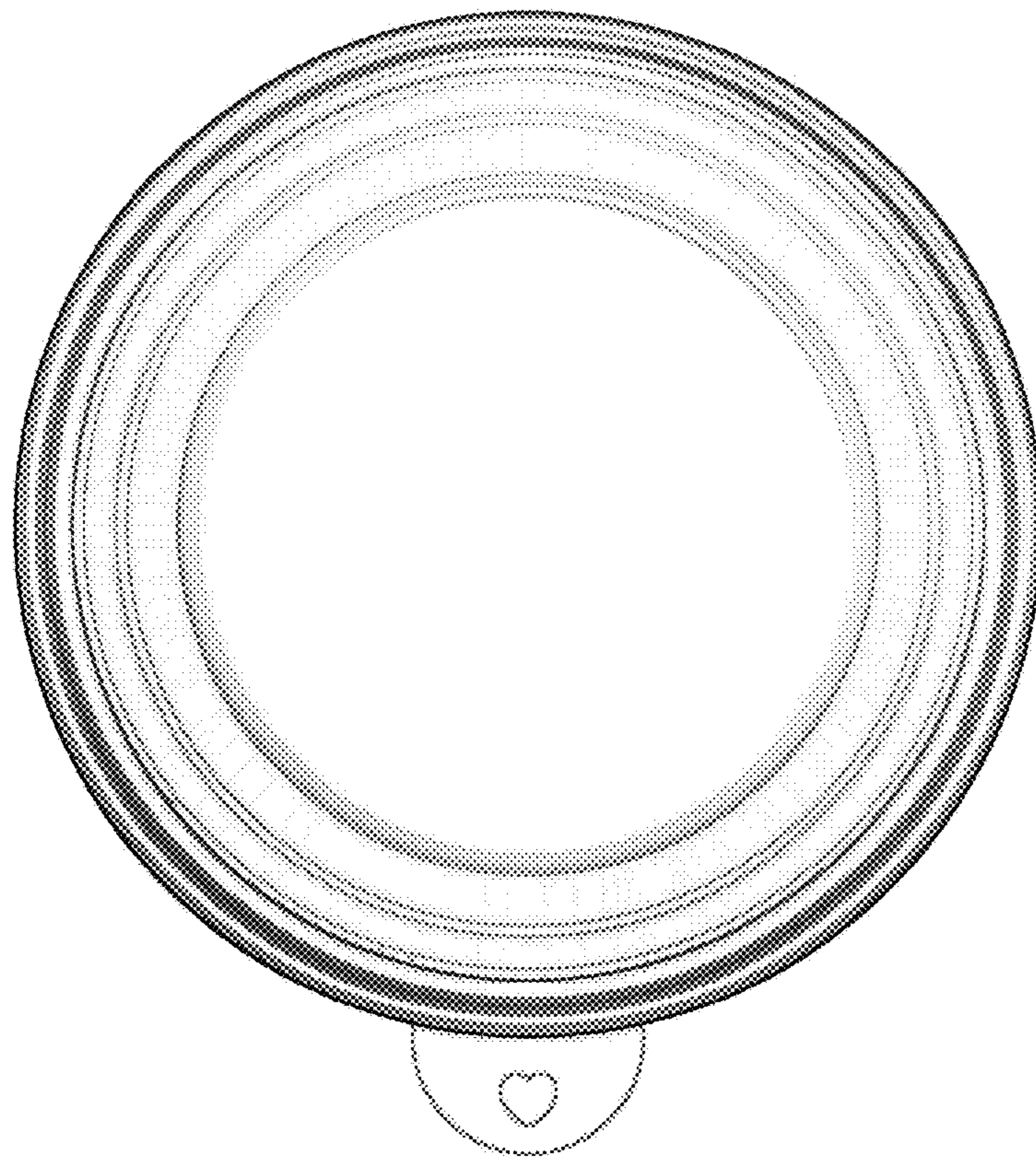


FIG.2

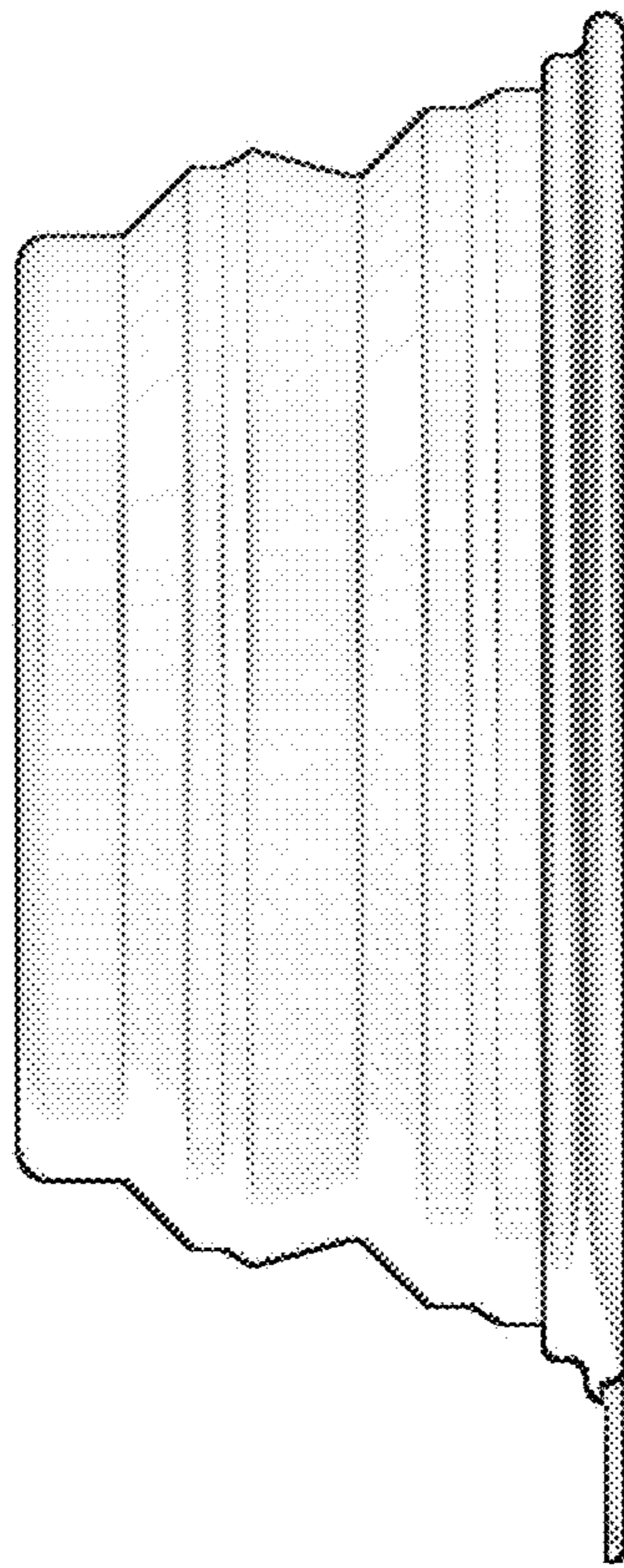


FIG.3

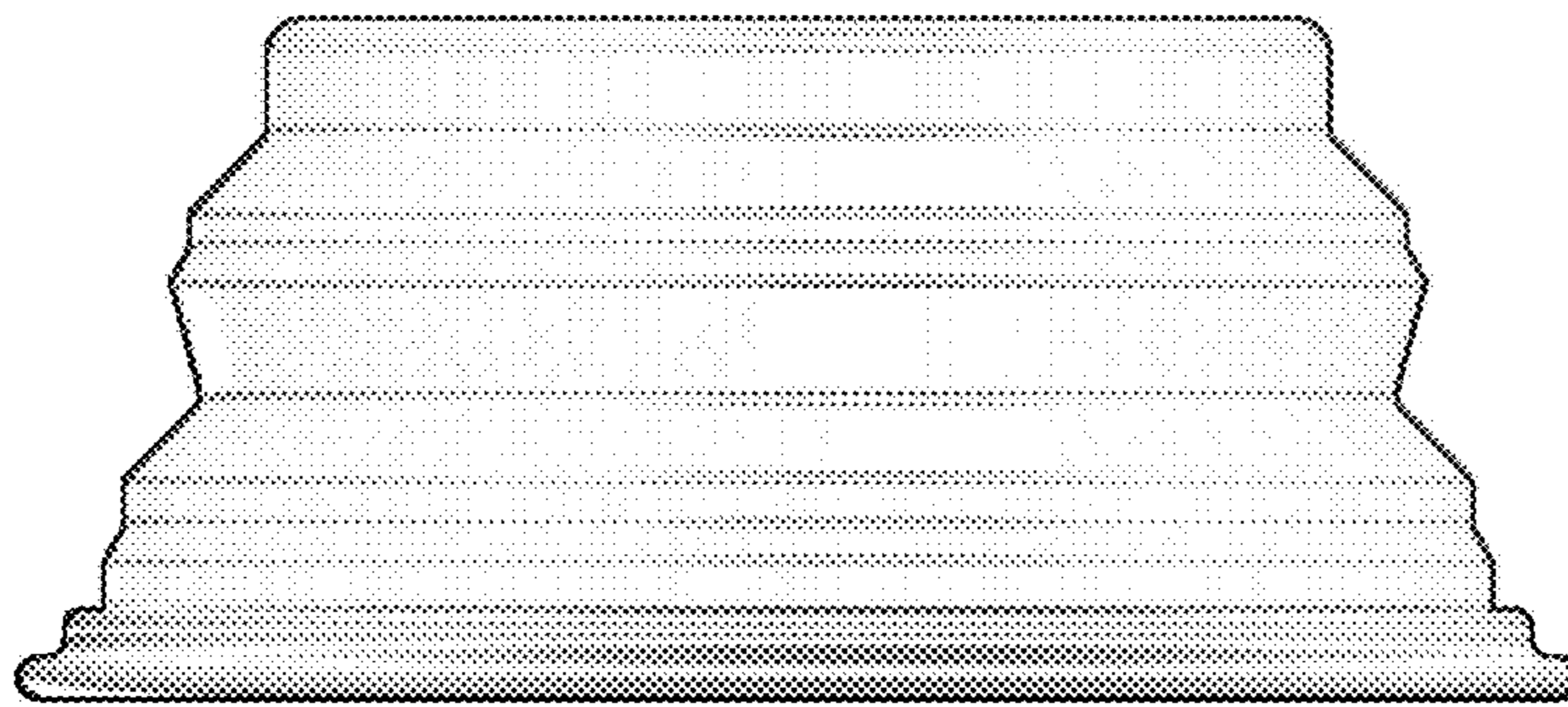


FIG.4

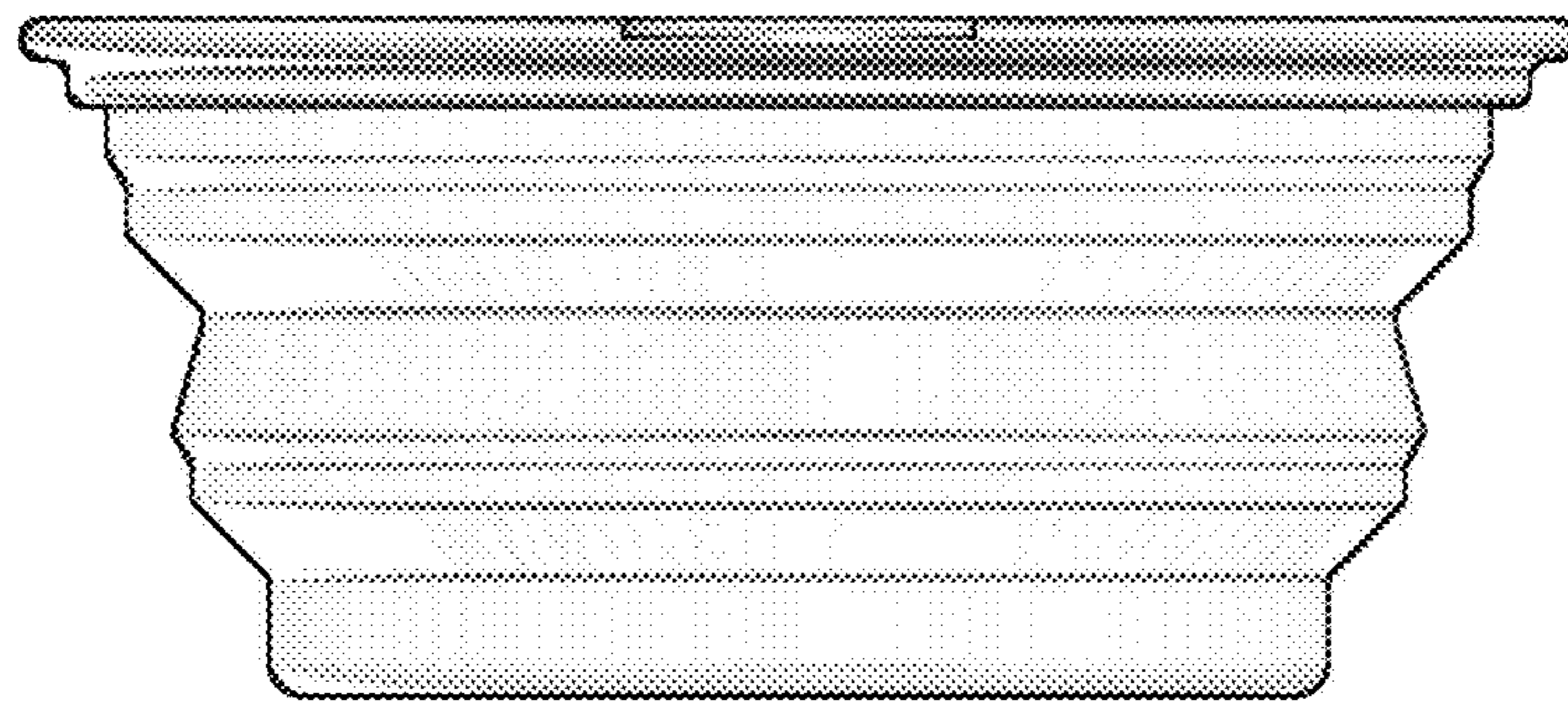


FIG.5

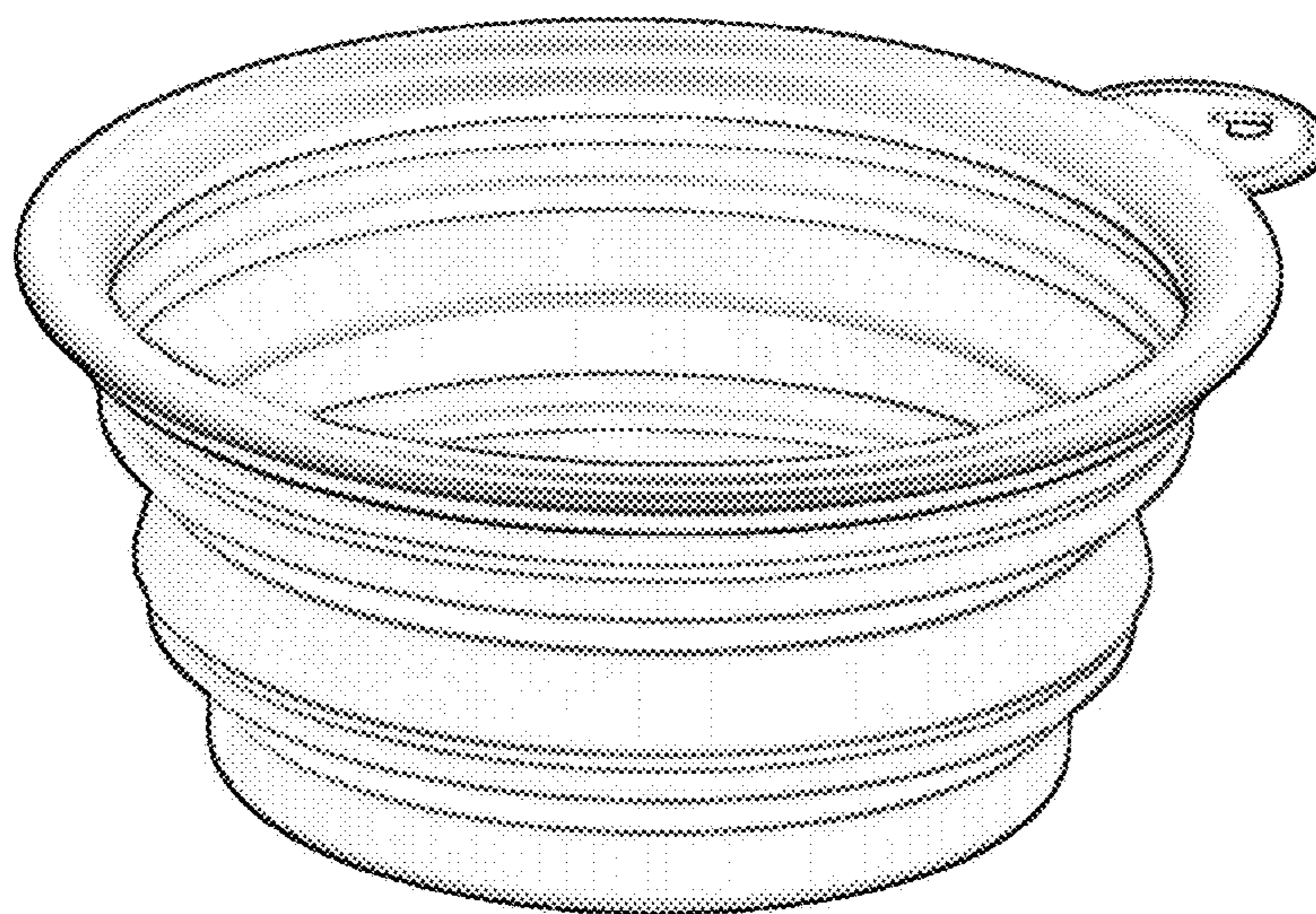


FIG.6

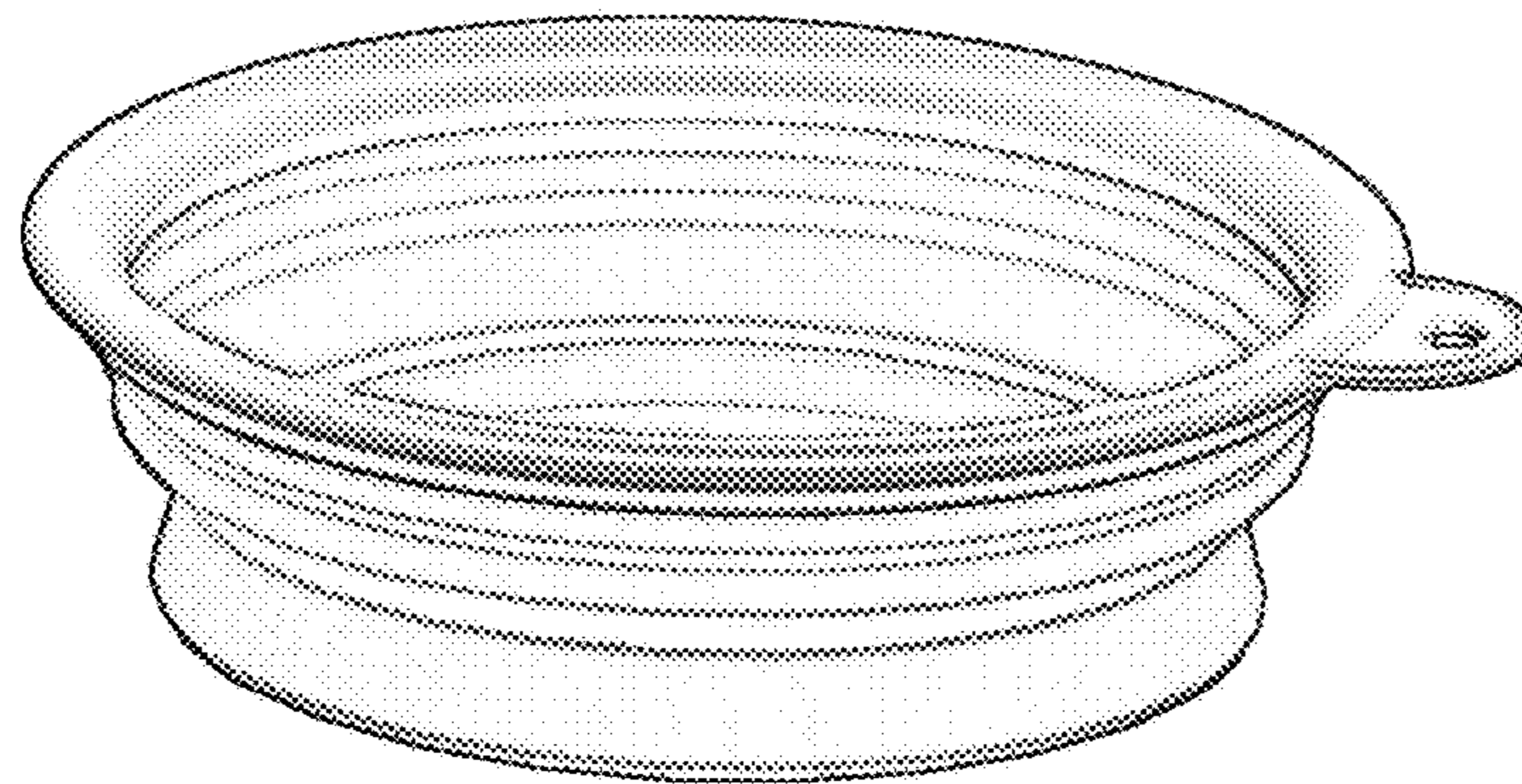


FIG.7

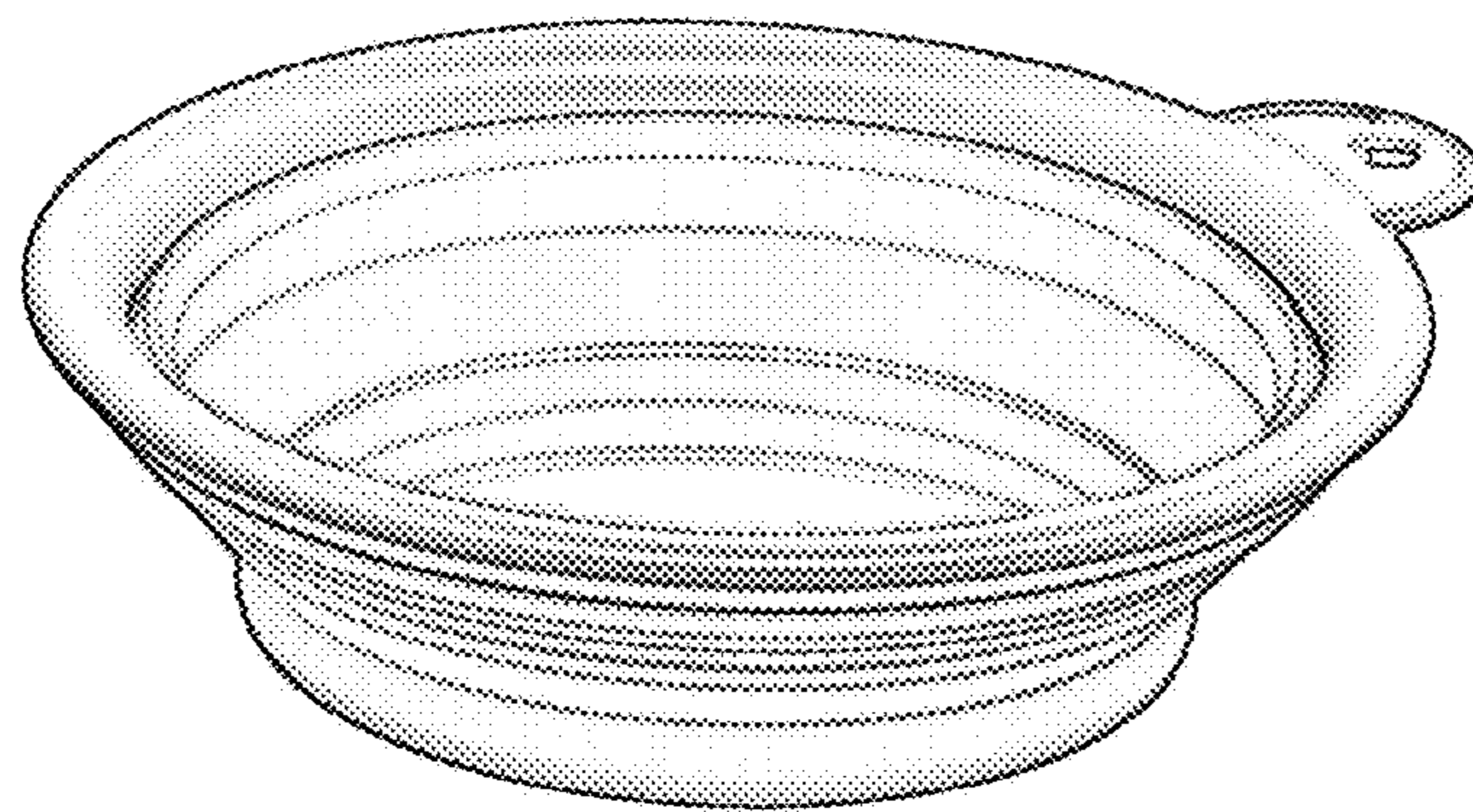


FIG.8

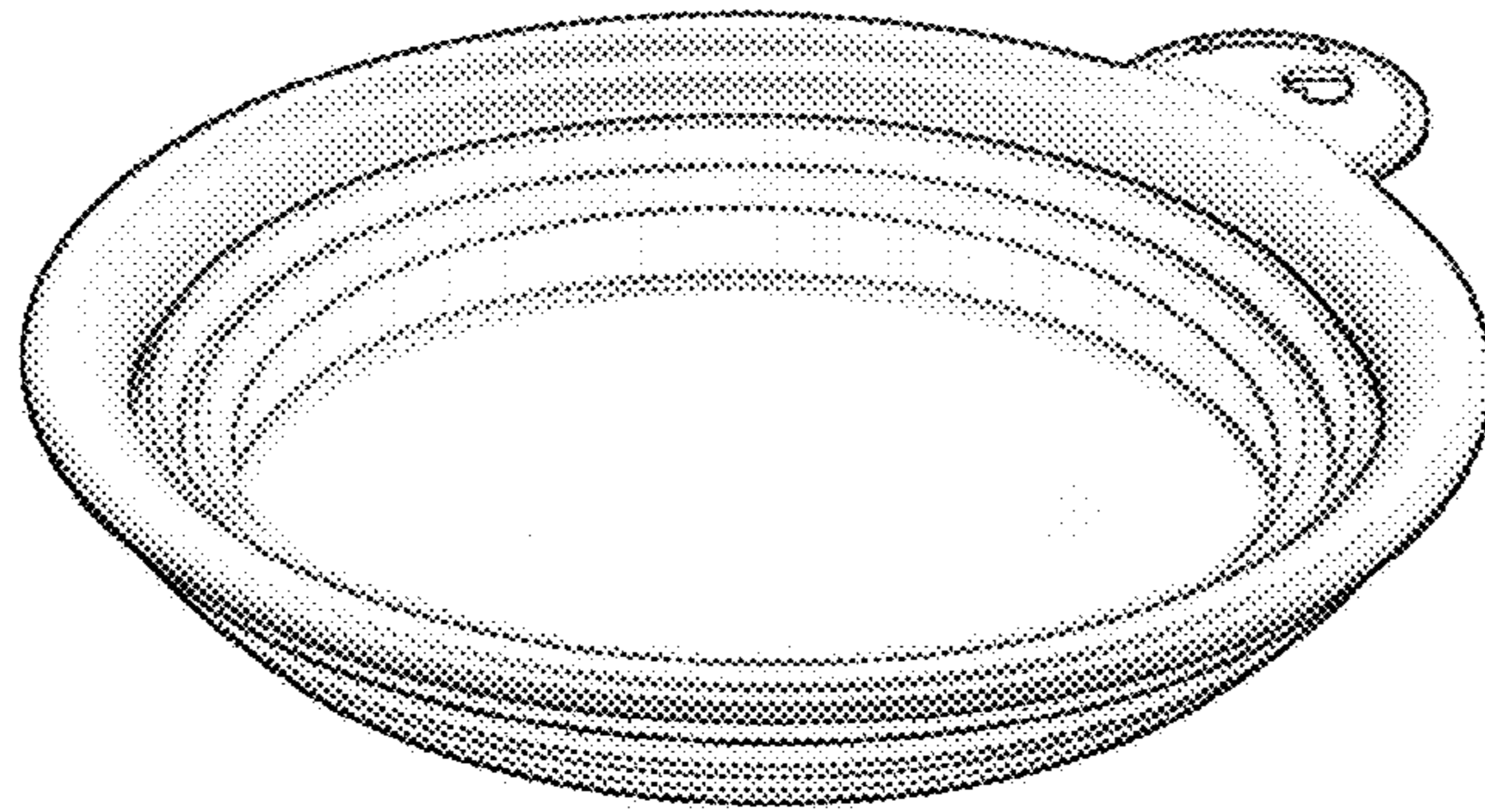


FIG.9

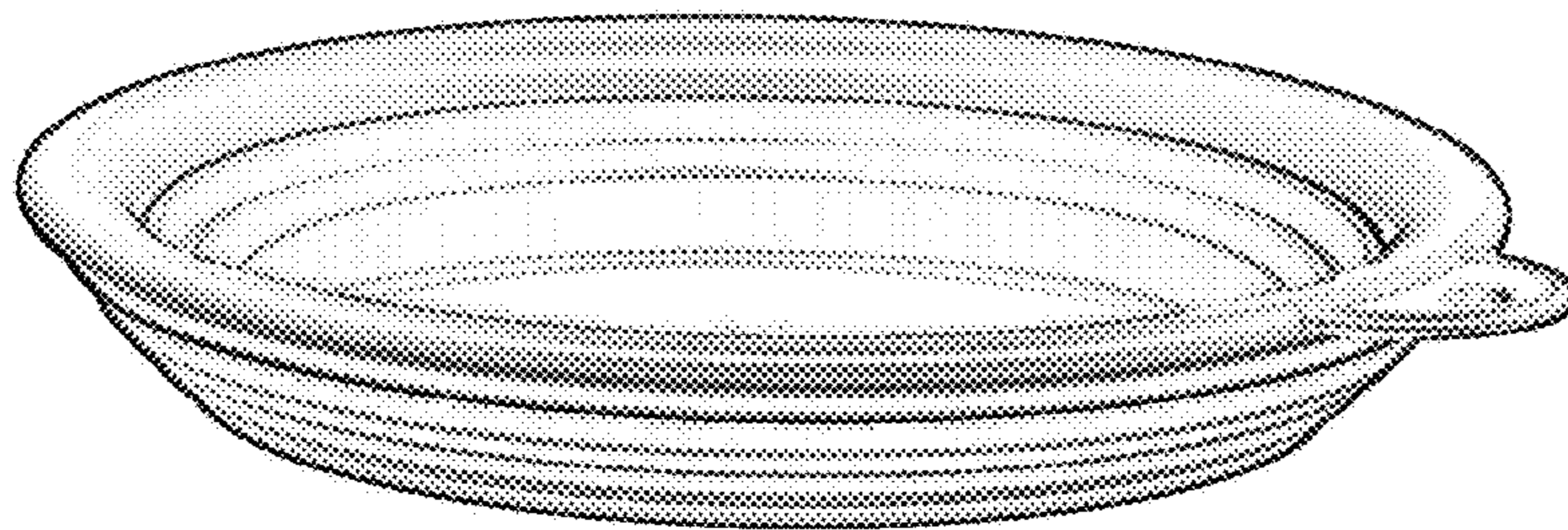


FIG.10