



US00D853662S

(12) **United States Design Patent**
Ellis et al.

(10) **Patent No.:** **US D853,662 S**
(45) **Date of Patent:** **** Jul. 9, 2019**

(54) **HUMMINGBIRD FEEDER**

FOREIGN PATENT DOCUMENTS

(71) Applicant: **Syll Innovations, LLC**, Poughkeepsie, NY (US)

CN 202 680 217 U 1/2013
WO WO 2018/027120 A1 2/2018
WO WO 2019/040861 2/2019

(72) Inventors: **Lisa Marie Ellis**, Marlboro, NY (US);
Dennis Gerard Ellis, Marlboro, NY (US)

OTHER PUBLICATIONS

(73) Assignee: **Syll Innovations, LLC**, Poughkeepsie, NY (US)

“Window Bird Feeders,” Duncraft, Wild Bird Superstore, www.duncraft.com/Window-Bird-Feeders?view_all (2017). [Retrieved Jan. 6, 2017].

(**) Term: **15 Years**

(Continued)

(21) Appl. No.: **29/663,228**

Primary Examiner — Susan Moon Lee

(22) Filed: **Sep. 13, 2018**

(74) *Attorney, Agent, or Firm* — Jenkins, Wilson, Taylor & Hunt, P.A.

Related U.S. Application Data

(62) Division of application No. 29/573,349, filed on Aug. 4, 2016, now Pat. No. Des. 831,899.

(57) **CLAIM**

(51) **LOC (11) Cl.** **30-03**

The ornamental design for a hummingbird feeder, as shown and described.

(52) **U.S. Cl.**

USPC **D30/124**; D30/126

(58) **Field of Classification Search**

USPC D30/121, 124, 126–129, 133, 199, D30/110–112, 123, 125, 119, 120; 119/52.2, 51.5, 61.5, 57.8, 57.9, 52.3, 119/61.1, 531, 63, 428–435, 52.4, 55, 119/61.3, 69.5, 75, 76, 77, 56.1, 51.01, 119/484; 47/67, 83, 40; 248/318, 208, 248/236; D11/164, 152; 211/128.1; D27/123; D6/495, 460, 461, 476, 405, D6/574; D25/22, 23, 26, 29, 32, 33,
(Continued)

DESCRIPTION

FIG. 1 is a front perspective view of a hummingbird feeder according to our design;
FIG. 2 is an environmental front perspective view of the hummingbird feeder of FIG. 1;
FIG. 3 is a front elevation view of the hummingbird feeder;
FIG. 4 is a rear elevation view thereof;
FIG. 5 is a right side elevation view thereof;
FIG. 6 is a left side elevation view thereof;
FIG. 7 is a top plan view thereof; and,
FIG. 8 is a bottom plan view thereof.
The environmental broken line showing of a base feeder in FIG. 2 depicts an exemplary attachable component for purposes of illustration and forms no part of the design claim.

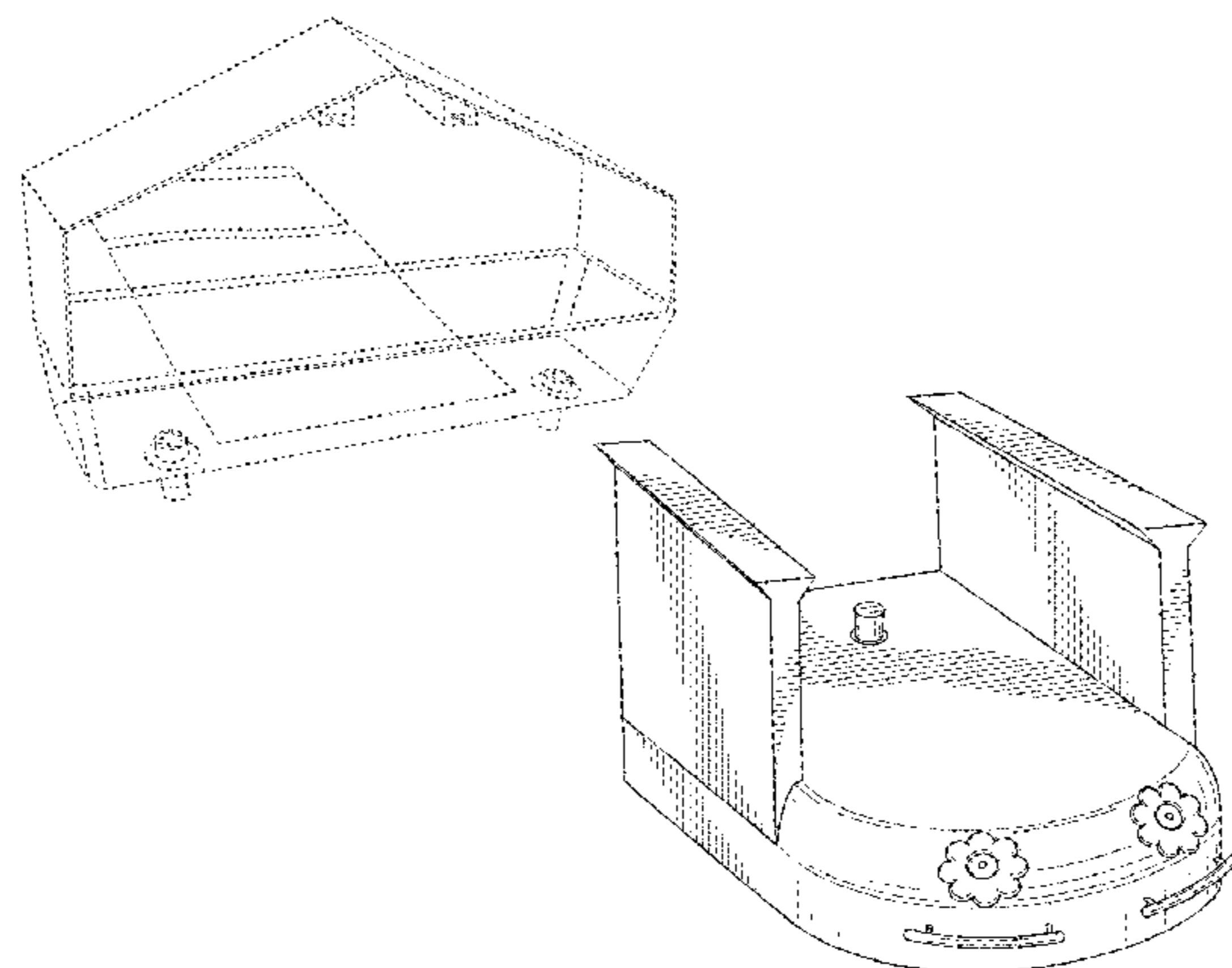
(56) **References Cited**

U.S. PATENT DOCUMENTS

1,446,231 A 2/1923 West
1,448,235 A 3/1923 Read
1,512,792 A 10/1924 Nelson

(Continued)

1 Claim, 6 Drawing Sheets



(58) **Field of Classification Search**

USPC ... D25/47.1, 48.1, 55-61, 103, 199; 108/47,
108/48, 51.11, 55.3
CPC A01K 39/00; A01K 39/01; A01K 39/04;
A01K 39/0206; A01K 39/0106; A01K
39/014; A01K 39/0113; A01K 39/012;
A01K 39/06; A01K 5/0225; A01K 5/00;
A01K 31/14; A01K 1/0356; F16M 13/02;
F16M 13/022; F16M 13/005; E06B 7/28;
A47G 7/044; A47H 27/00; A47B 96/061
See application file for complete search history.

D561,955	S	2/2008	Mc Donough
D566,906	S	4/2008	Rogers
7,392,763	B2	7/2008	Willinger et al.
D658,338	S	4/2012	Law
D831,899	S	10/2018	Ellis et al.
10,194,642	B2	2/2019	Ellis et al.
2006/0137618	A1	6/2006	Poirier et al.
2007/0169706	A1	7/2007	Vagedes et al.
2010/0175630	A1	7/2010	Stetson
2015/0342153	A1	12/2015	Hudepohl
2016/0165855	A1	6/2016	MacKelvie
2018/0035650	A1	2/2018	Ellis
2018/0064070	A1*	3/2018	Brunnberg A01K 31/18
2019/0059626	A1	2/2019	Ellis et al.

(56) **References Cited**

U.S. PATENT DOCUMENTS

D66,767	S	*	3/1925	Foster et al.	D30/110
1,543,739	A		6/1925	Vowels		
D142,561	S	*	10/1945	Hyde	119/57.8
2,430,541	A		11/1947	Thatcher		
2,544,203	A	*	3/1951	Watkins	A47J 47/16 248/236
2,718,921	A	*	9/1955	Alleva	A47H 27/00 160/352
2,806,746	A	*	9/1957	Hughes	A47H 27/00 182/113
2,937,617	A	*	5/1960	Brody	A01K 39/04 119/51.5
2,966,272	A	*	12/1960	MacKenzie	A47B 96/061 108/47
D194,109	S		11/1962	Dilley		
3,076,433	A	*	2/1963	Kofsky	A01K 39/014 119/57.8
3,086,499	A		4/1963	Dilley		
3,089,461	A		5/1963	Dunn		
D198,568	S		7/1964	Clever		
3,211,130	A		10/1965	Prince		
3,282,251	A		11/1966	Dahmus		
3,291,100	A		12/1966	Negaard		
D225,215	S		11/1972	Francis		
D237,730	S		11/1975	Hansen et al.		
4,261,294	A		4/1981	Bescherer		
4,335,547	A		6/1982	Maxwell		
4,361,116	A		11/1982	Kilham		
4,637,344	A		1/1987	Peterson		
4,649,865	A		3/1987	Riggi		
D302,751	S		8/1989	Baldwin		
D302,752	S		8/1989	Baldwin		
4,881,491	A		11/1989	Brown		
4,892,060	A		1/1990	Lundquist		
D308,495	S		6/1990	Honeycutt		
5,016,571	A		5/1991	Totaro		
5,050,831	A	*	9/1991	Joyal	F24F 7/013 248/208
D330,272	S	*	10/1992	Lane	D30/124
D334,636	S	*	4/1993	Honeycutt	D11/145
D350,627	S		9/1994	Moniak		
D351,690	S		10/1994	Honeycutt		
D355,990	S	*	3/1995	Vincelli	D6/555
D361,238	S	*	8/1995	Richards	D6/574
5,469,807	A		11/1995	Kosmaczeska		
D380,066	S	*	6/1997	Green	D30/124
D381,135	S		7/1997	Hochlan, Jr.		
D396,331	S		7/1998	Niemetz		
D407,863	S		4/1999	Leal et al.		
5,904,330	A		5/1999	Manico et al.		
6,062,167	A		5/2000	Soley		
6,314,912	B1		11/2001	Armbruster		
6,334,407	B1		1/2002	Schneider		
6,581,891	B1	*	6/2003	Byrd	A01K 31/14 248/218.4
D501,960	S	*	2/2005	Oen	D30/108
6,857,394	B2		2/2005	Redford		
D515,246	S		2/2006	Lory, II		
D522,185	S		5/2006	Donegan		
7,162,972	B2		1/2007	Stachowiak		

OTHER PUBLICATIONS

“Mirrored Windowsill Feeder, Item No. 25900,” Covese Conservation Products, Casco, Maine 04015, https://www.coveside.com/_store/card_view.asp?itemnr=25900 (Date Unknown). [Retrieved Jan. 6, 2017].

Watchers Choice™ Feeders: World’s Best Window Feeder, <http://www.watcherschoice.com/> (2013). [Retrieved Jan. 6, 2017].

“Birding Company 78621 Songview In-House Window Feeder—Natural,” GoSale: Compare & Save, America’s Largest Price Comparison Website, <http://www.gosale.com/4483766/birding-company-78621> (2017). [Retrieved Jan. 6, 2017].

“Panoramic In-House Window Feeder, Item No. 26400,” Covese Conservation Products, Casco, Maine 04015, https://www.coveside.com/_store/card_view.asp?itemnr=26400 (Date Unknown). [Retrieved Jan. 6, 2017].

“Mirrored Panoramic In-House Window Feeder, Item No. 26500,” Covese Conservation Products, Casco, Maine 04015, https://www.coveside.com/_store/card_view.asp?itemnr=26500 (Date Unknown). [Retrieved Jan. 6, 2017].

“Bread Box Window Feeder, Item No. 27000,” Covese Conservation Products, Casco, Maine 04015, https://www.coveside.com/_store/card_view.asp?itemnr=27000 (Date Unknown). [Retrieved Jan. 6, 2017].

“Bread Box Window Feeder with 2-way Mirror, Item No. 27500,” Covese Conservation Products, Casco, Maine 04015, https://www.coveside.com/_store/card_view.asp?itemnr=27500 (Date Unknown). [Retrieved Jan. 6, 2017].

Certificate of registration for European Design Application No. 003522150-001 dated Dec. 16, 2016.

Certificate of registration for European Design Application No. 003522150-002 dated Dec. 16, 2016.

Certificate of registration for European Design Application No. 003522150-003 dated Dec. 16, 2016.

Certificate of registration for European Design Application No. 003522150-004 dated Dec. 16, 2016.

Certificate of registration for European Design Application No. 003522150-005 dated Dec. 16, 2016.

Certificate of registration for European Design Application No. 003522150-006 dated Dec. 16, 2016.

Certificate of registration for European Design Application No. 003522150-007 dated Dec. 16, 2016.

International Search Report and Written Opinion for Application No. PCT/US2017/045474 dated Oct. 26, 2017.

Restriction Requirement for U.S. Appl. No. 29/573,349 dated Mar. 28, 2018.

Notice of Publication for U.S. Appl. No. 15/228,642 dated Feb. 8, 2018.

Notice of Publication for Application No. PCT/US2017/045474 dated Feb. 8, 2018.

Notice of Certification of Registration for Canadian Application No. 172031 dated May 7, 2018.

Non-Final Office Action for U.S. Appl. No. 15/228,642 dated Jun. 14, 2018.

Notice of Allowance for U.S. Appl. No. 29/573,349 dated Jun. 21, 2018.

Notice of Allowance for U.S. Appl. No. 15/228,642 dated Oct. 2, 2018.

(56)

References Cited

OTHER PUBLICATIONS

Notice of Publication for Application No. PCT/US2018/047938 dated Feb. 28, 2019.

Office Action (Examiner's Report and Search Report) corresponding to Canadian Patent Application No. 3,032,508 dated Mar. 8, 2019.

Notice of Allowance corresponding to Mexican Patent Application No. MX/f/2016/004082 dated Mar. 22, 2019.

Office Action (Examiner's Report and Search Report) corresponding to Canadian Patent Application No. 3,032,508 dated Apr. 17, 2019.

* cited by examiner

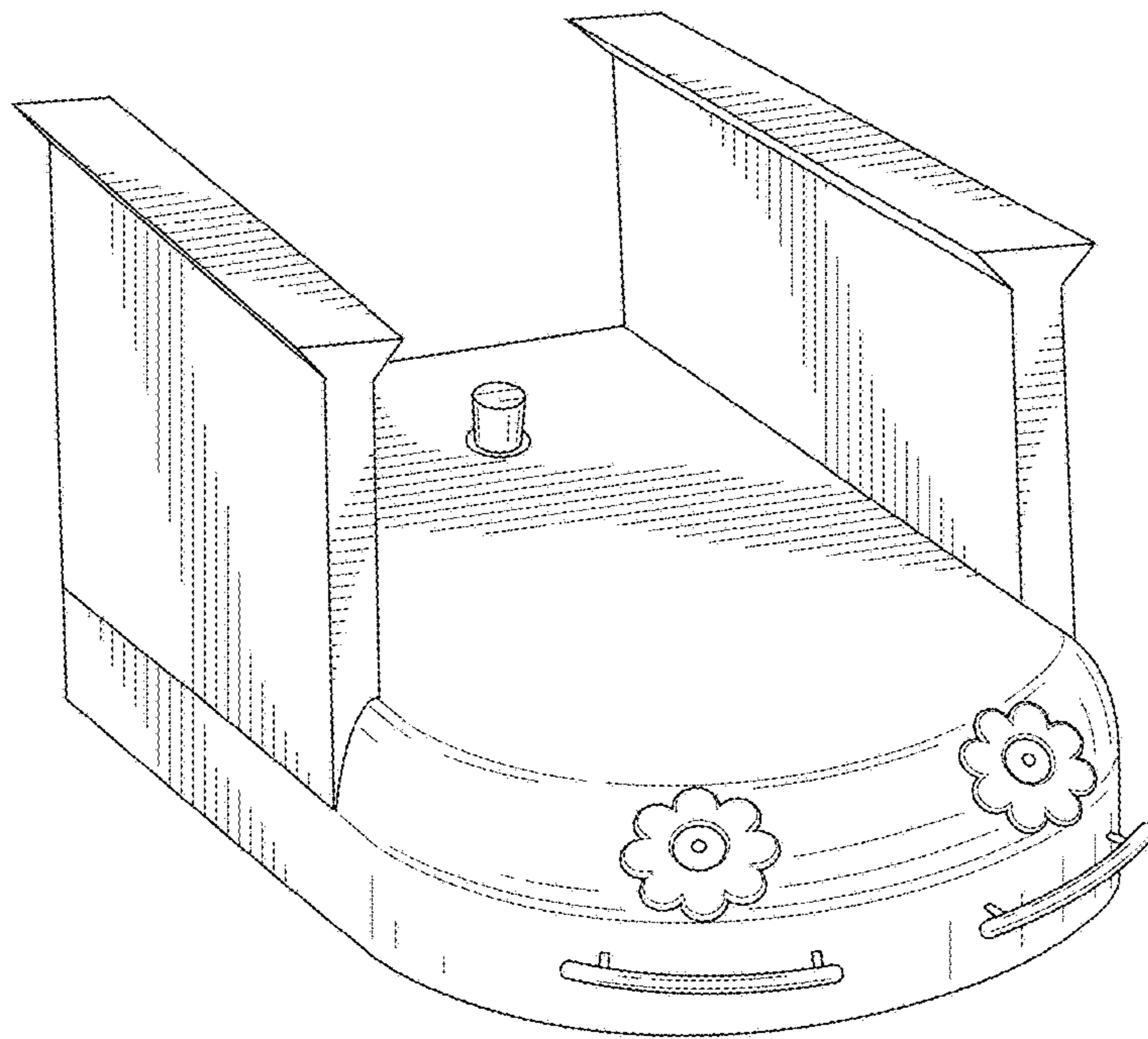


FIG. 1

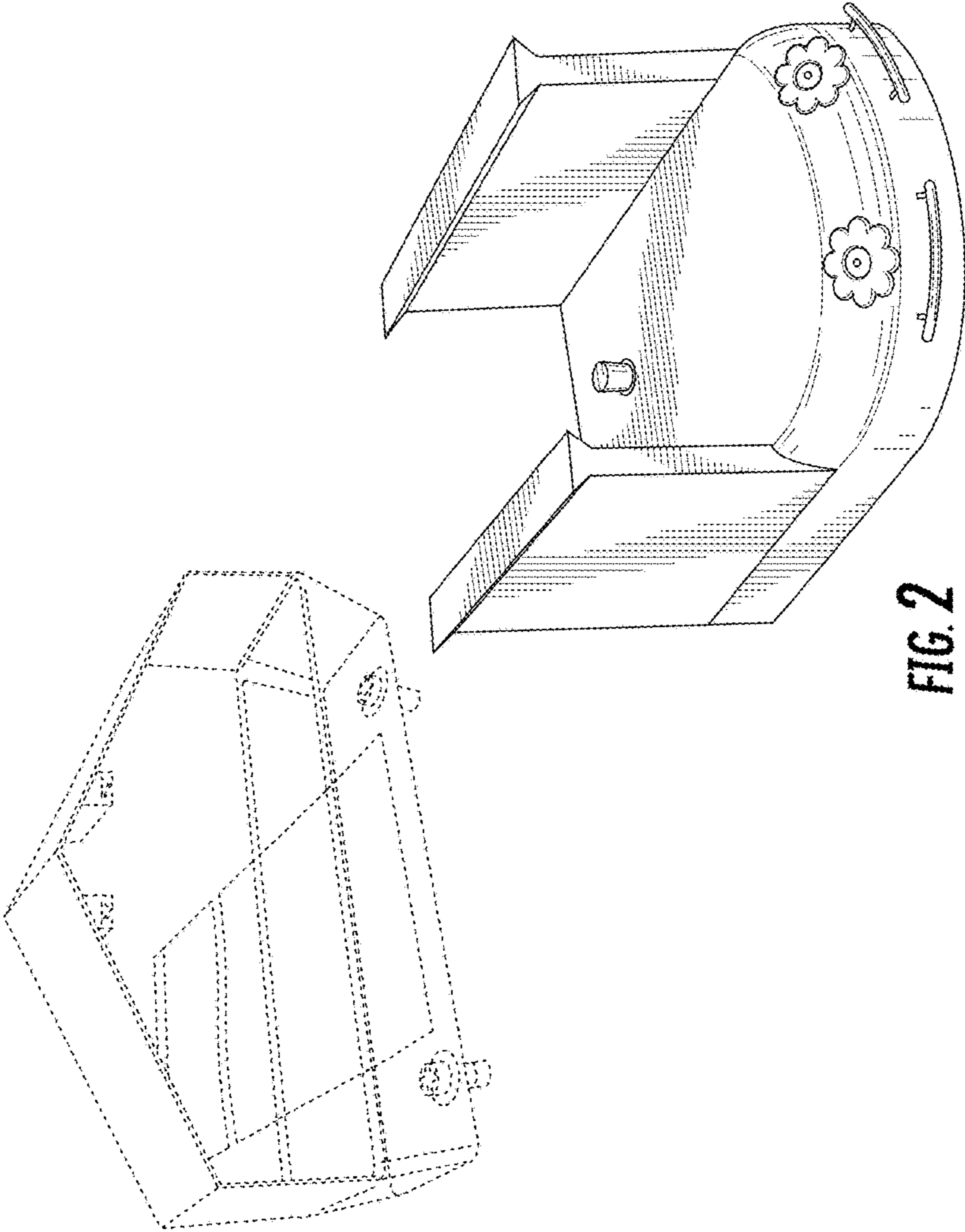


FIG. 2

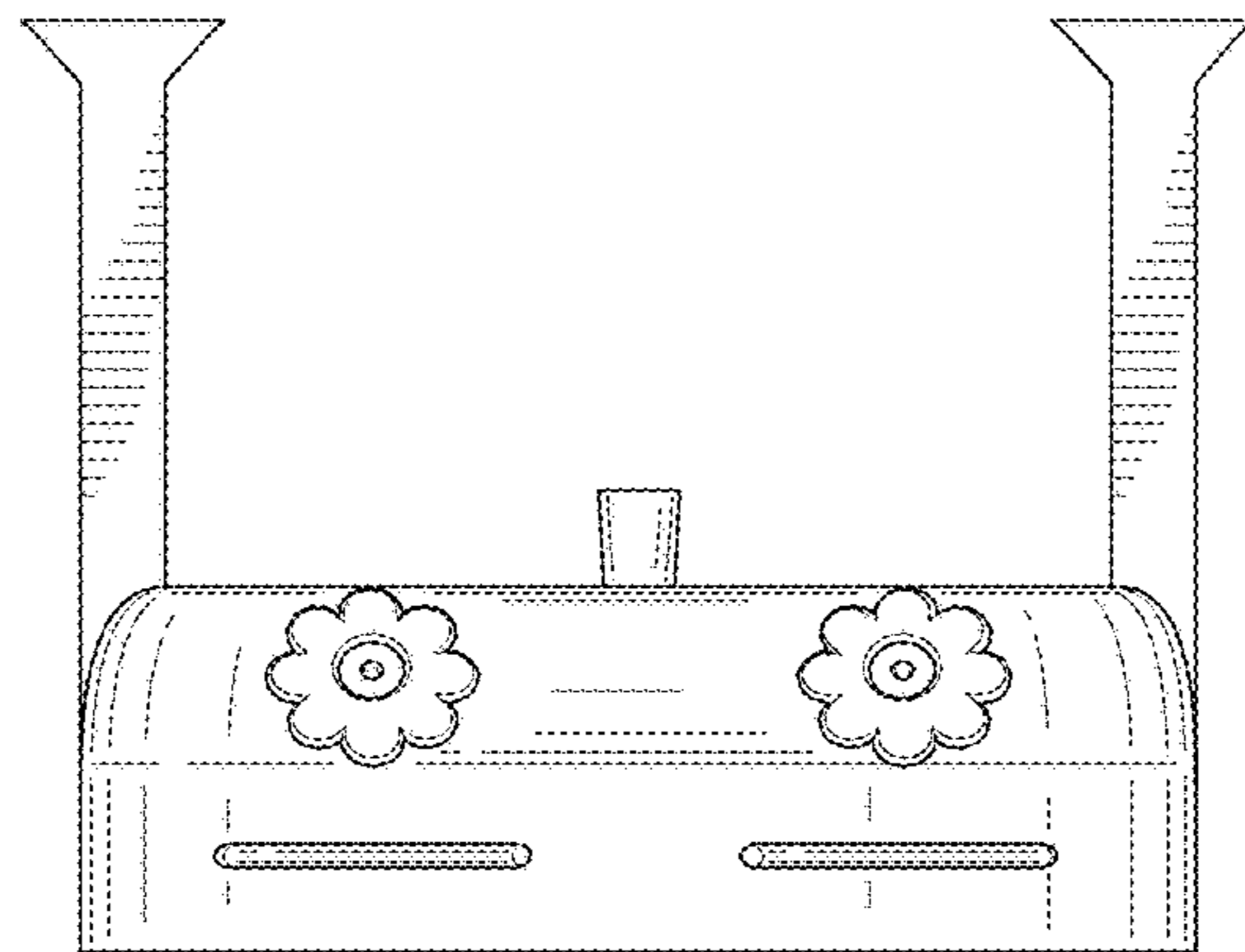


FIG. 3

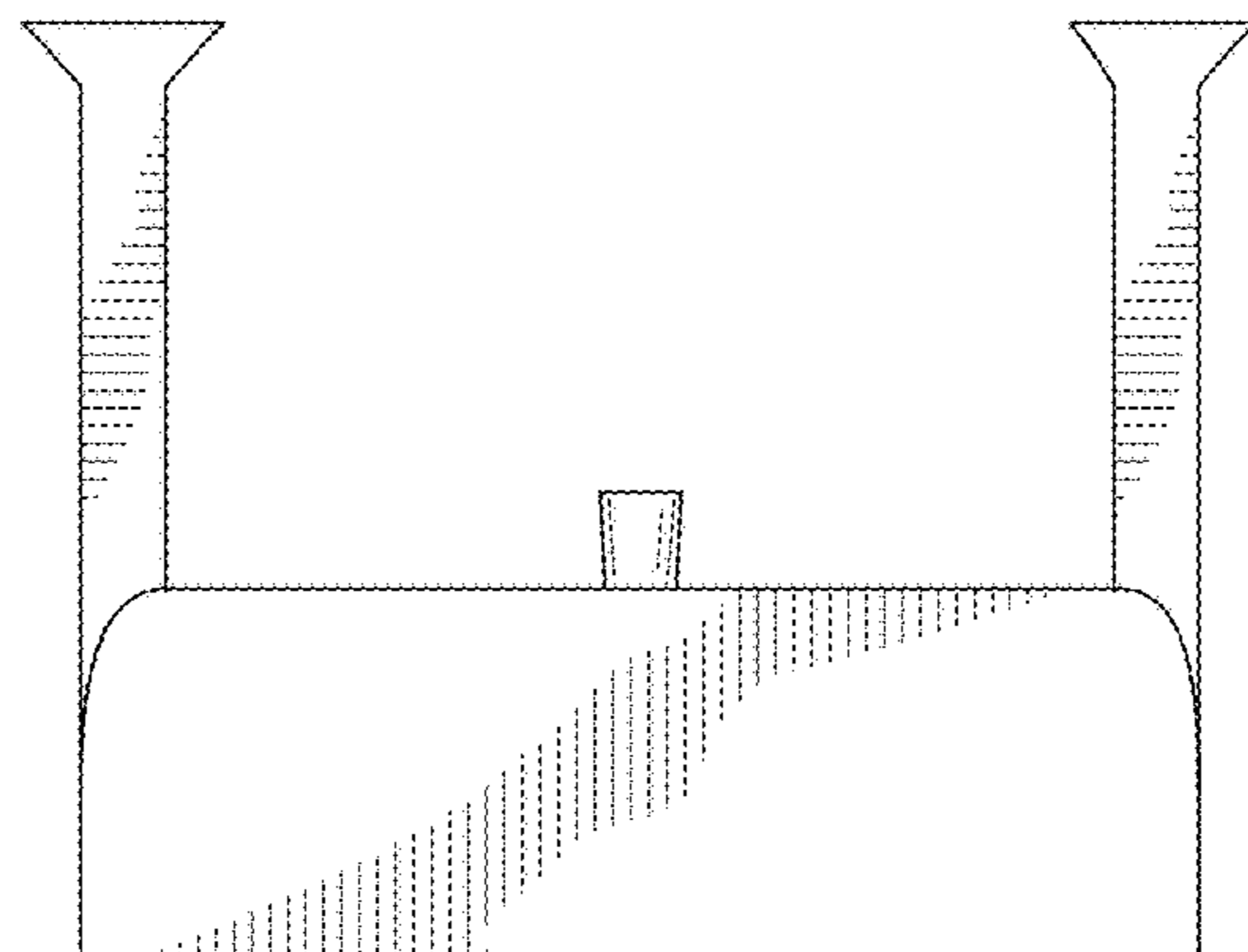


FIG. 4

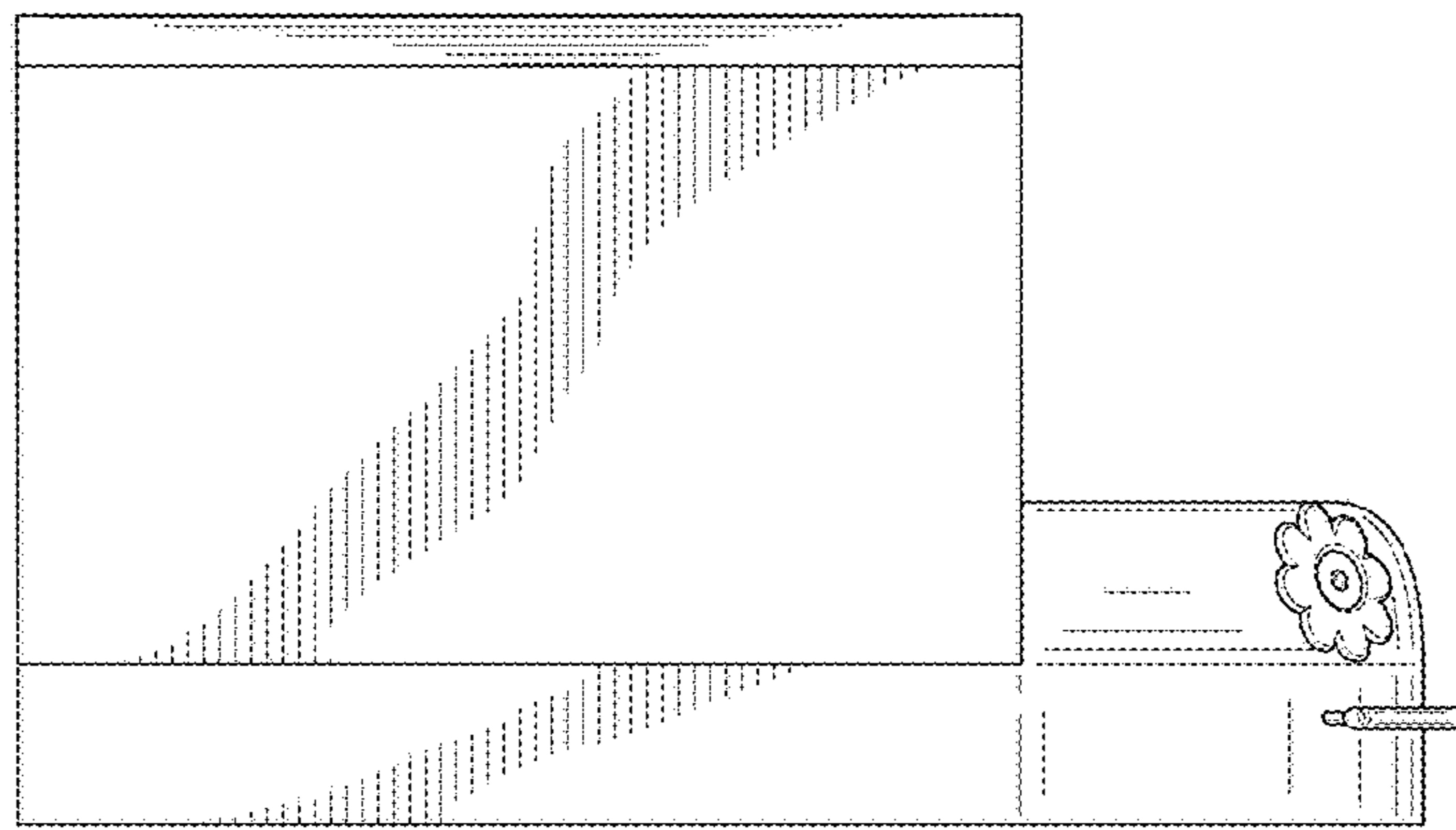


FIG. 5

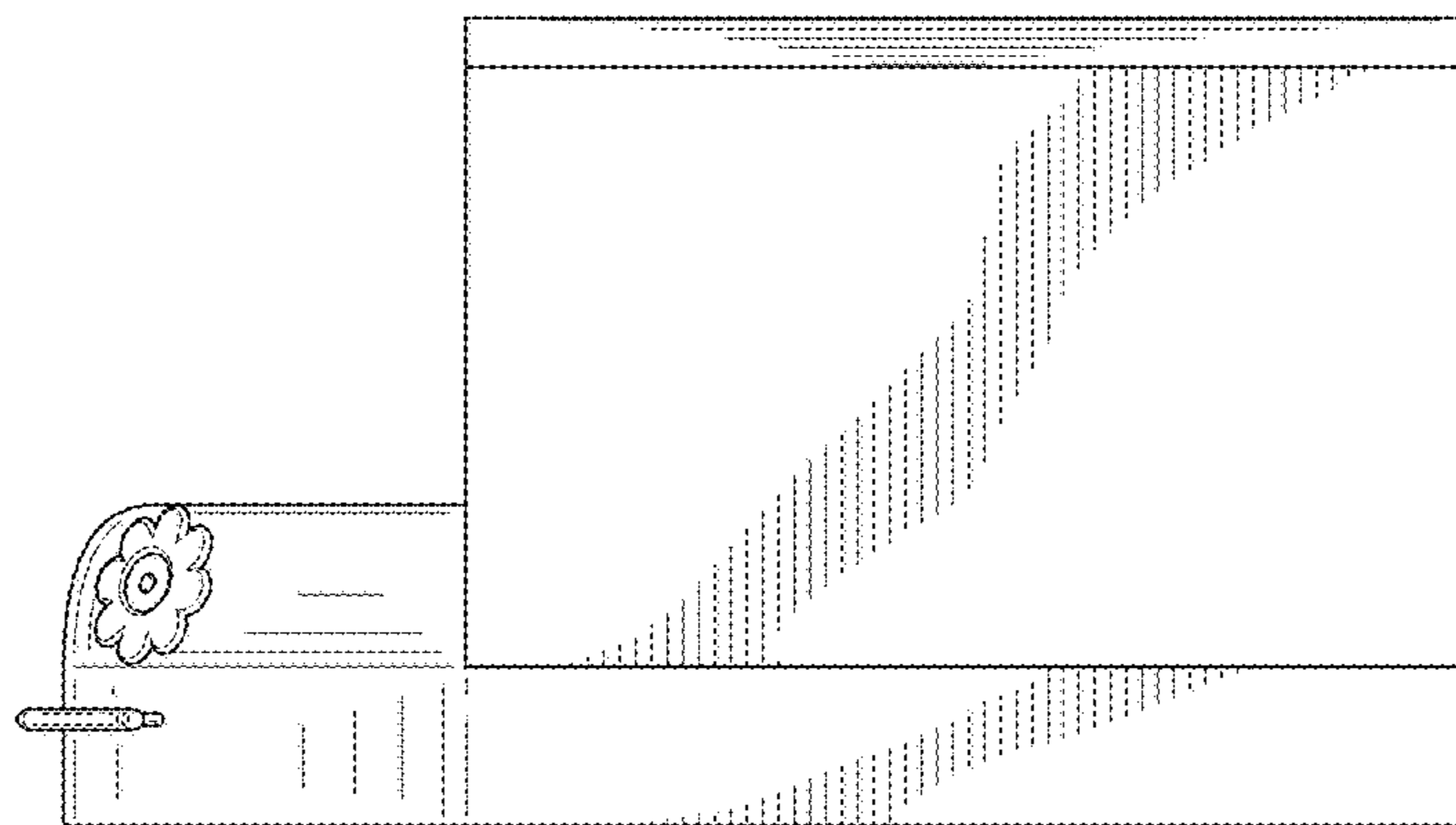


FIG. 6

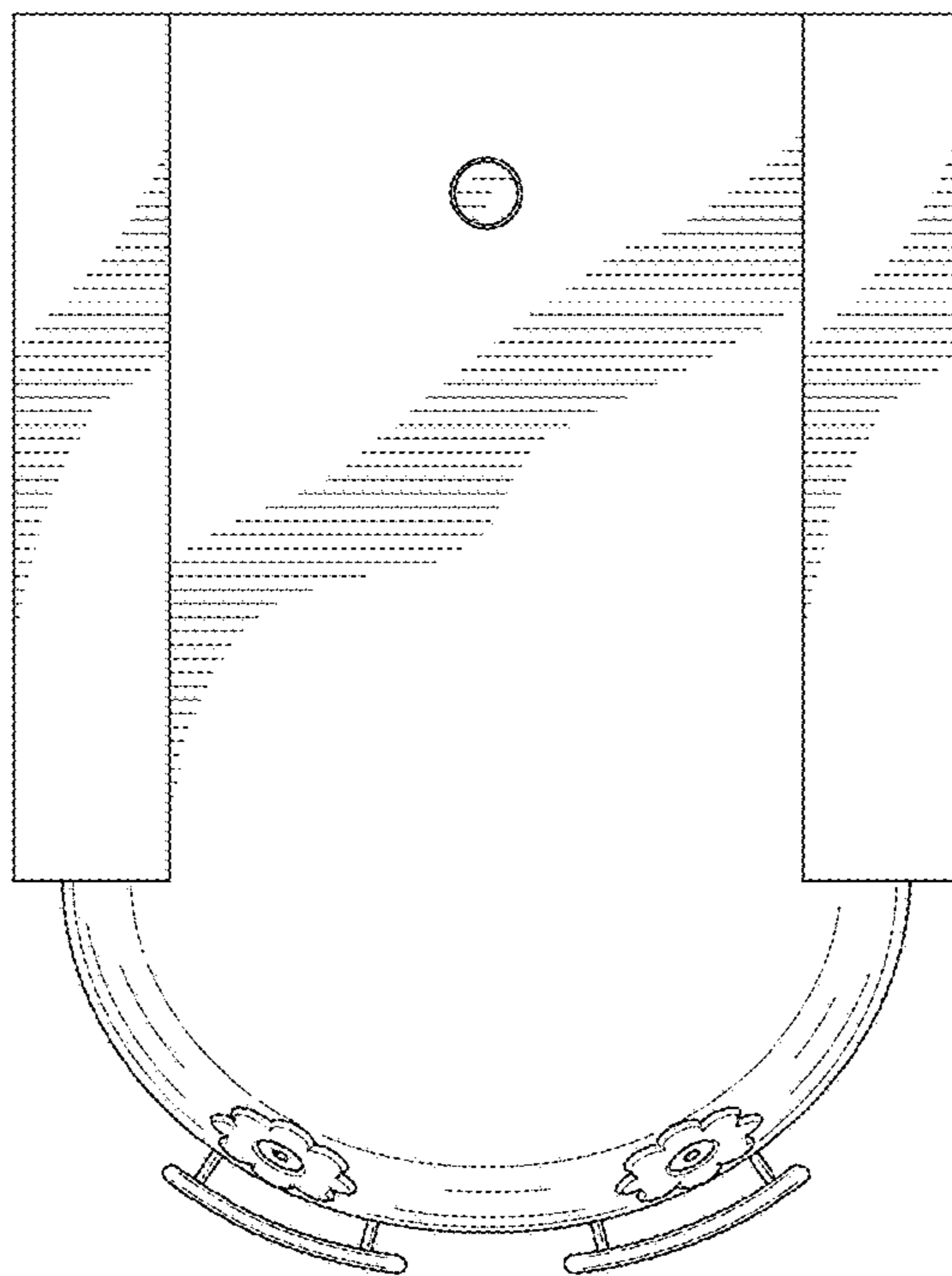


FIG. 7

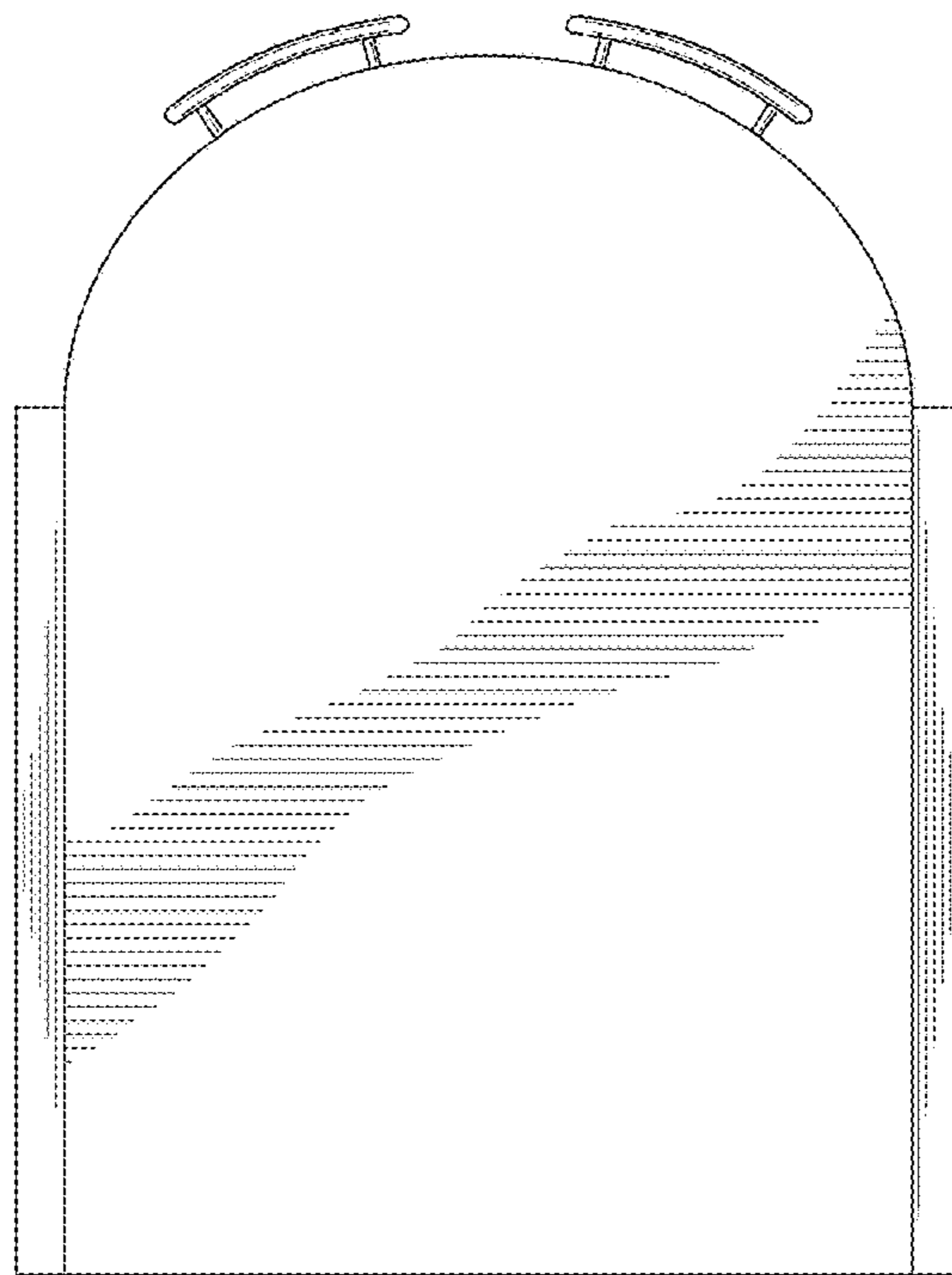


FIG. 8