



US00D853658S

(12) **United States Design Patent**  
**Bowles et al.**

(10) **Patent No.:** **US D853,658 S**  
(45) **Date of Patent:** **\*\* Jul. 9, 2019**

(54) **HEADGEAR SIDE OF A MAGNETIC QUICK CONNECT FOR USE WITH FORCED AIR HEADGEAR**

D751,188 S \* 3/2016 Skipper ..... D24/110.4  
D767,829 S \* 9/2016 Wu ..... D29/122  
D769,440 S \* 10/2016 Amarasinghe ..... D24/110.4  
D782,655 S \* 3/2017 Blanch ..... D24/110.4  
D797,277 S \* 9/2017 Blanch ..... D24/110

(71) Applicant: **RainMaker Solutions, Inc.**, El Segundo, CA (US)

\* cited by examiner

(72) Inventors: **Jacob Timm Bowles**, El Segundo, CA (US); **Robert Gregory Stahl**, Culver City, CA (US); **Eduard Albert Jaeger**, El Segundo, CA (US)

*Primary Examiner* — Randall H Gholson  
(74) *Attorney, Agent, or Firm* — David A. Randall; Brooks Kushman P.C.

(73) Assignee: **RainMaker Solutions, Inc.**, El Segundo, CA (US)

(57) **CLAIM**

(\*\*) Term: **15 Years**

We claim the ornamental design for a headgear side of a magnetic quick connect for use with forced air headgear, as shown and described.

(21) Appl. No.: **29/625,745**

**DESCRIPTION**

(22) Filed: **Nov. 13, 2017**

(51) **LOC (11) Cl.** ..... **29-02**

(52) **U.S. Cl.**  
USPC ..... **D29/122**

(58) **Field of Classification Search**  
USPC ..... D29/102–107, 122; 2/5, 6.1, 6.3, 6.7, 2/41–412, 414, 422–425, 9, 10; D2/869, D2/870, 872, 882, 884, 891  
CPC ..... A42B 3/00; A42B 3/127; F41H 1/08  
See application file for complete search history.

FIG. 1 is a front view of a headgear side of a magnetic quick connect for use with forced air headgear embodying the ornamental design of the present invention shown in use with one type of forced air headgear;  
FIG. 2 is a front, right-side perspective view of the headgear side of the magnetic quick connect embodying the ornamental design of the present invention;  
FIG. 3 is a front view thereof;  
FIG. 4 is a back view thereof;  
FIG. 5 is top view thereof;  
FIG. 6 is a bottom view thereof;  
FIG. 7 is a right-side view thereof; and,  
FIG. 8 is a left-side view thereof.

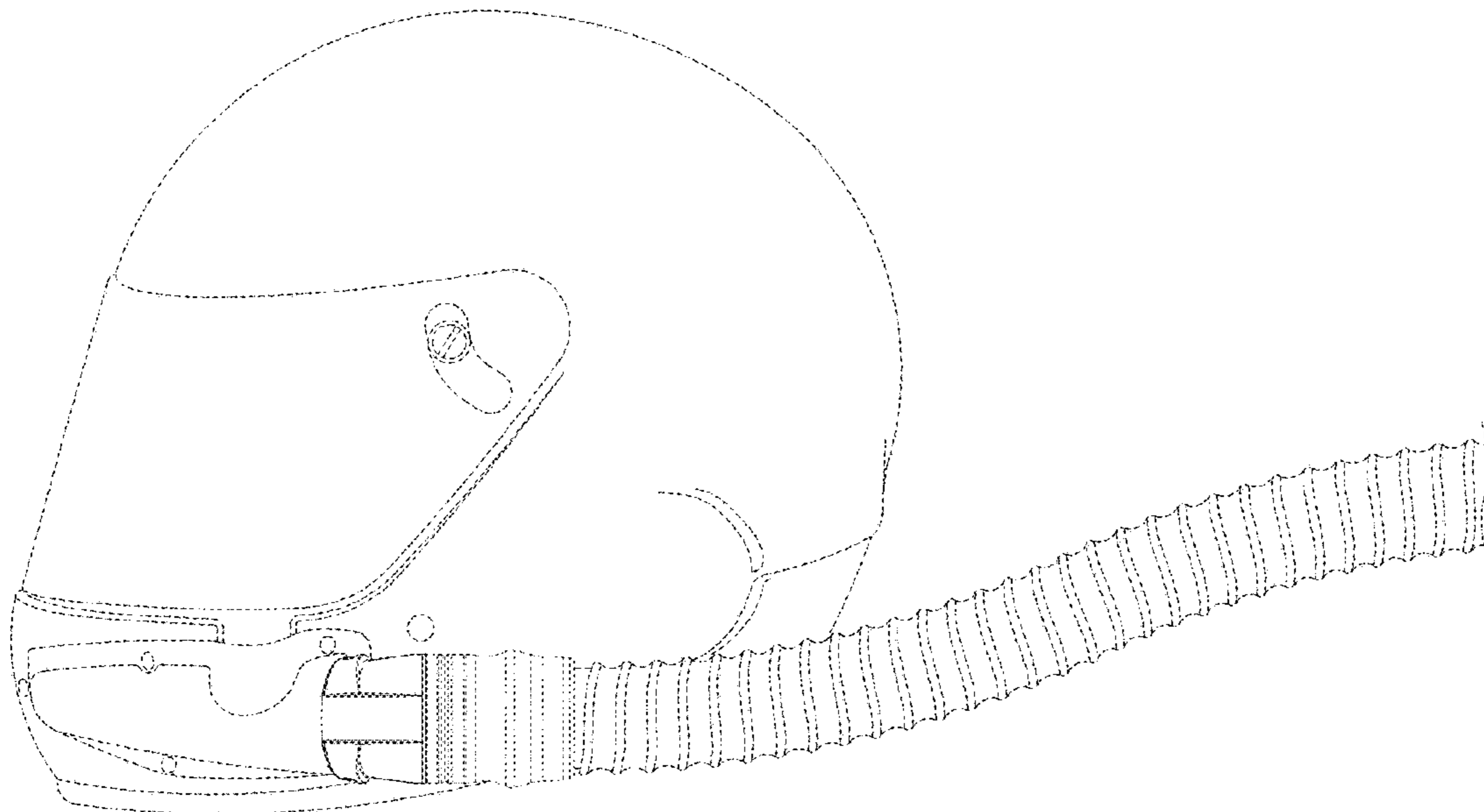
(56) **References Cited**

**U.S. PATENT DOCUMENTS**

5,410,757 A \* 5/1995 Vienamo ..... A61F 9/028  
128/201.23  
6,606,751 B1 \* 8/2003 Kalhok ..... A42B 3/226  
2/424

The broken lines in FIGS. 1-8 are for illustrative purposes only and form no part of the claimed design.

**1 Claim, 5 Drawing Sheets**



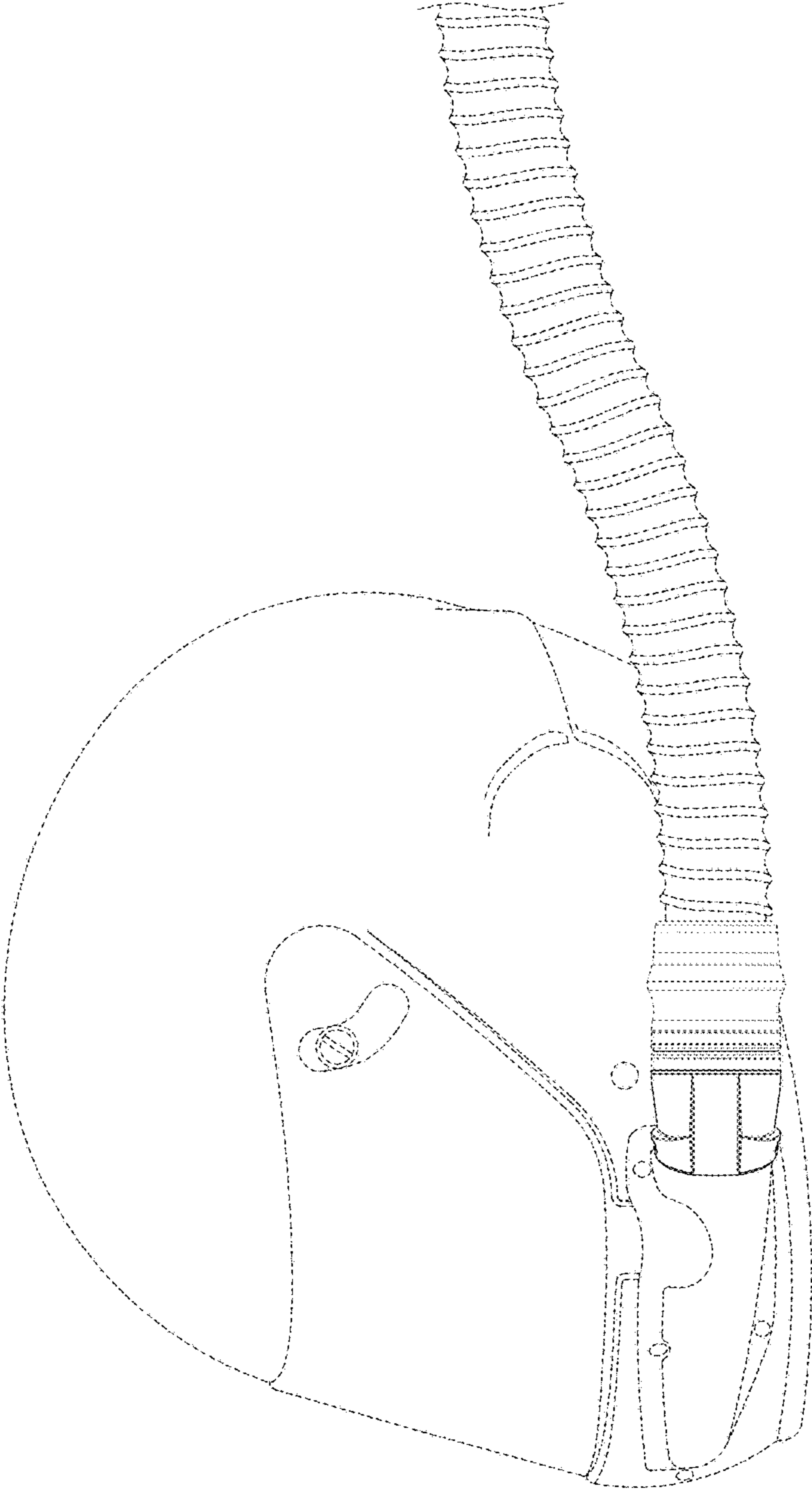
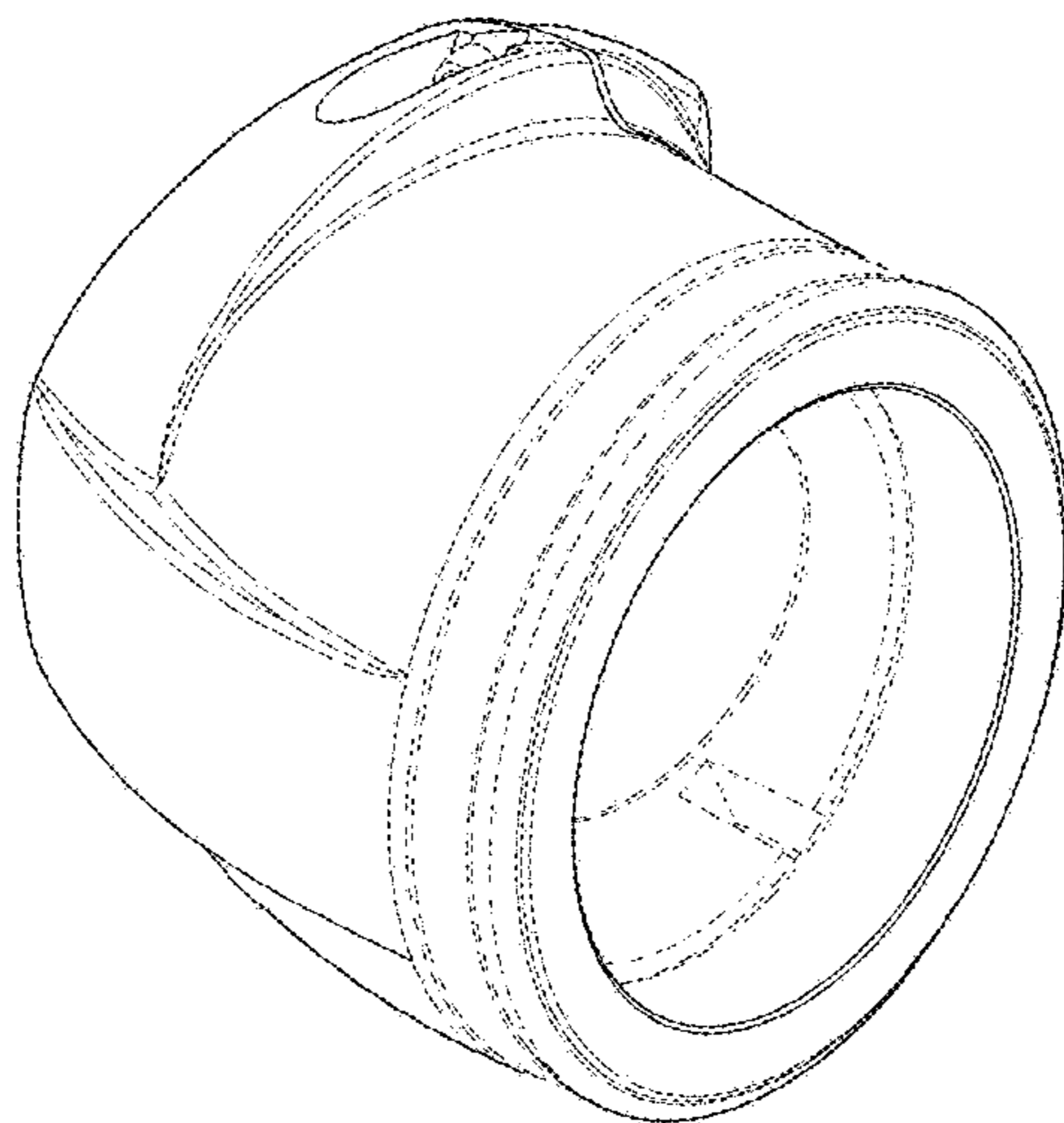
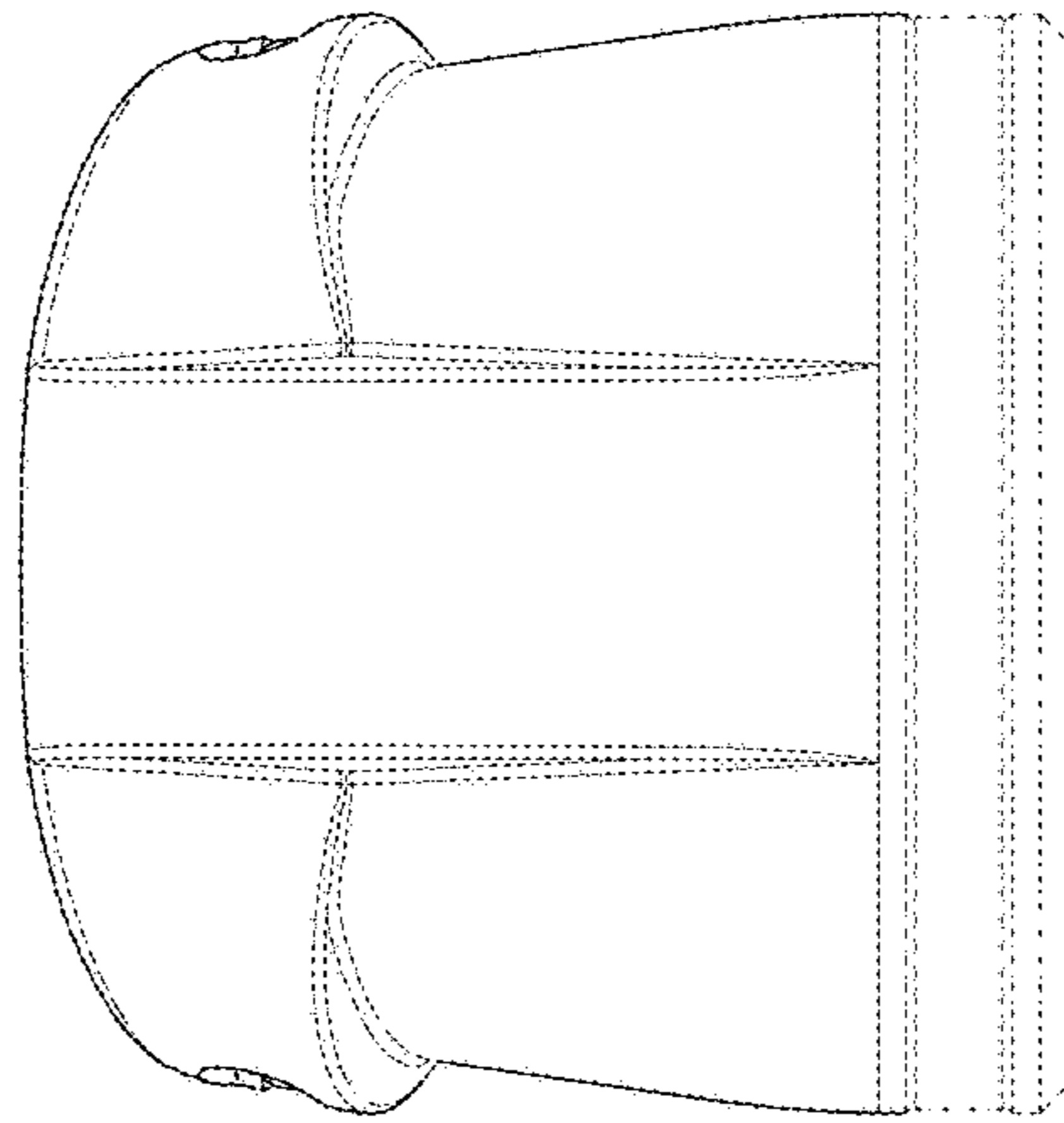


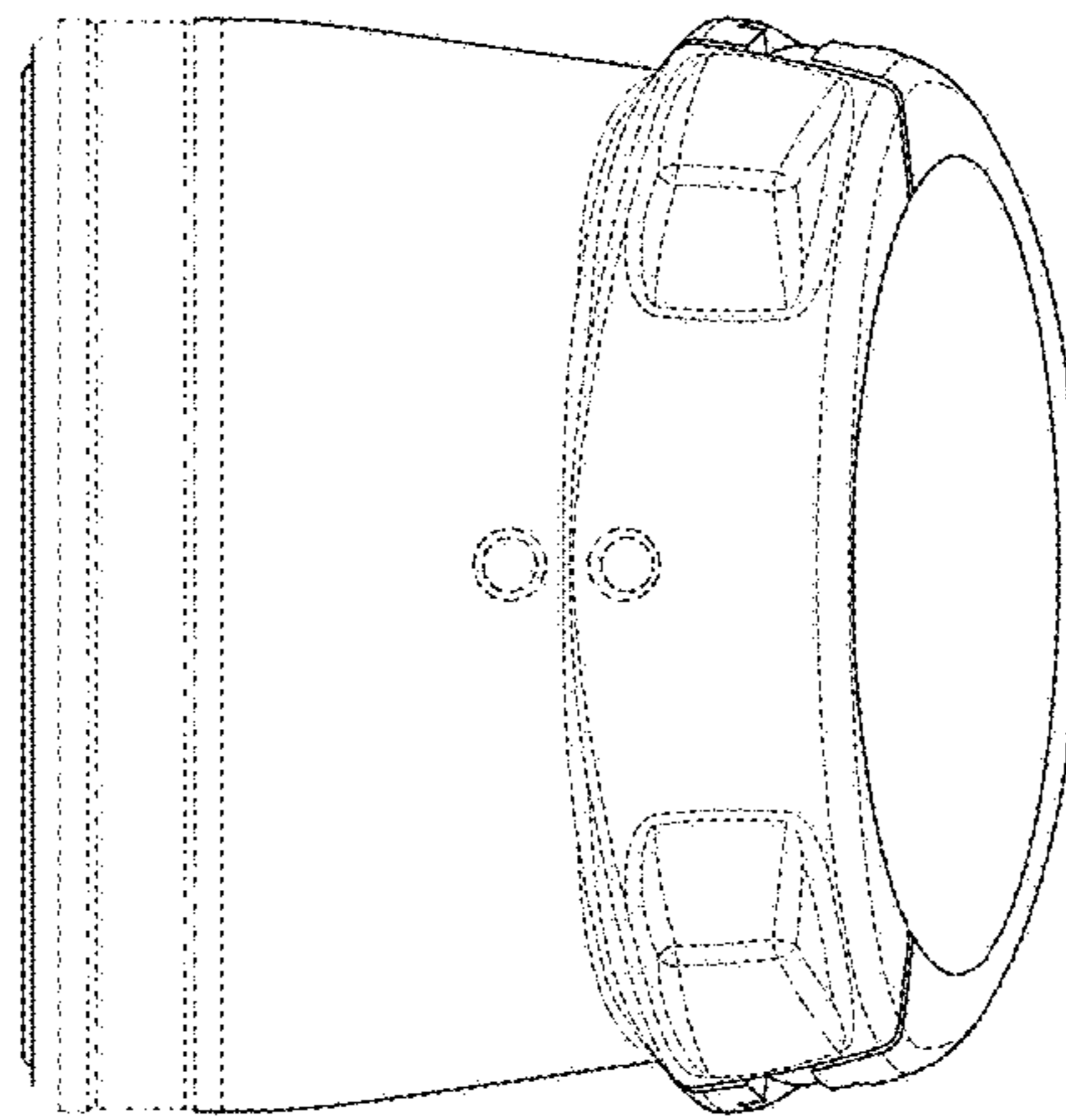
FIG. 1



**FIG. 2**



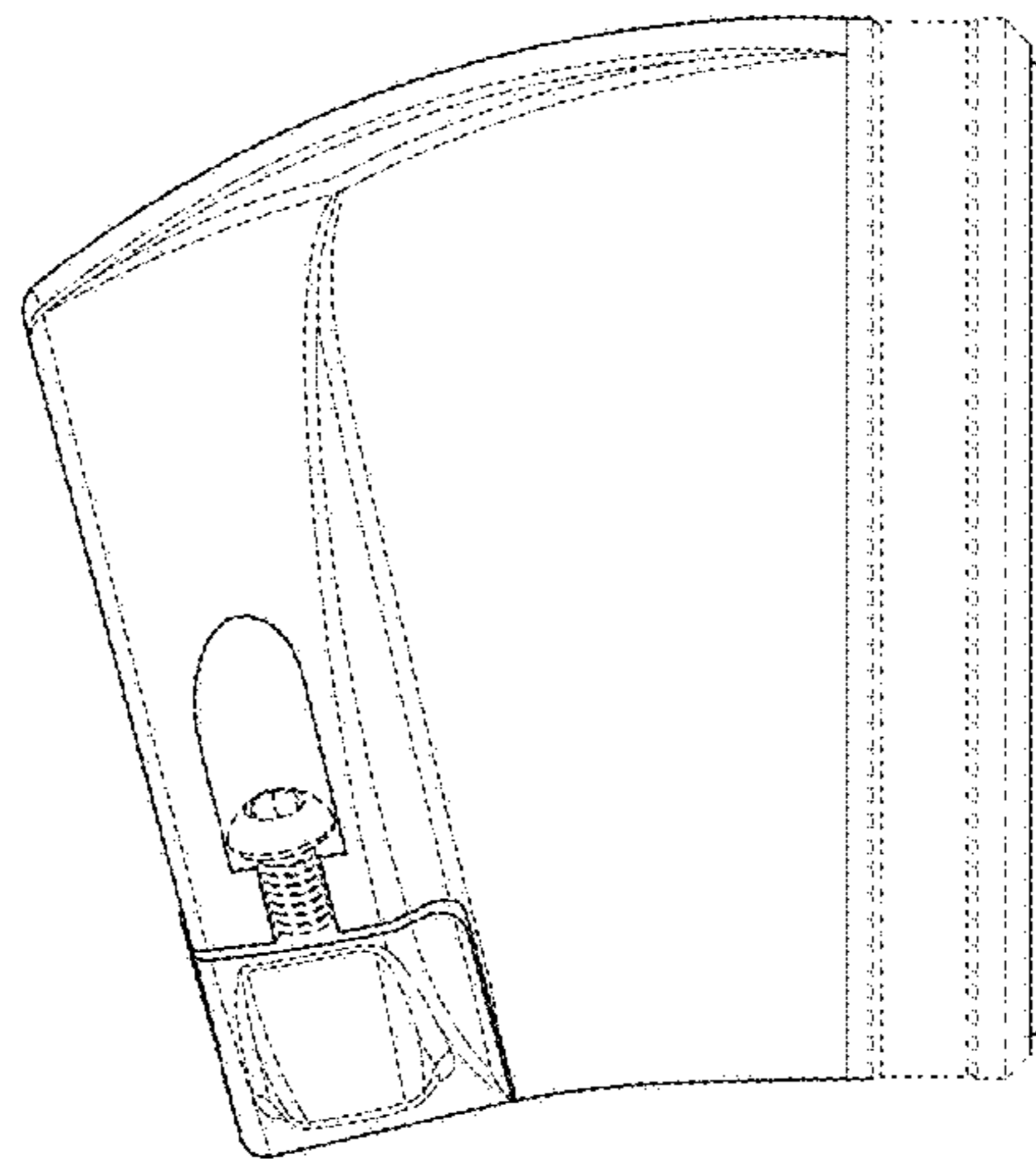
**FIG. 3**



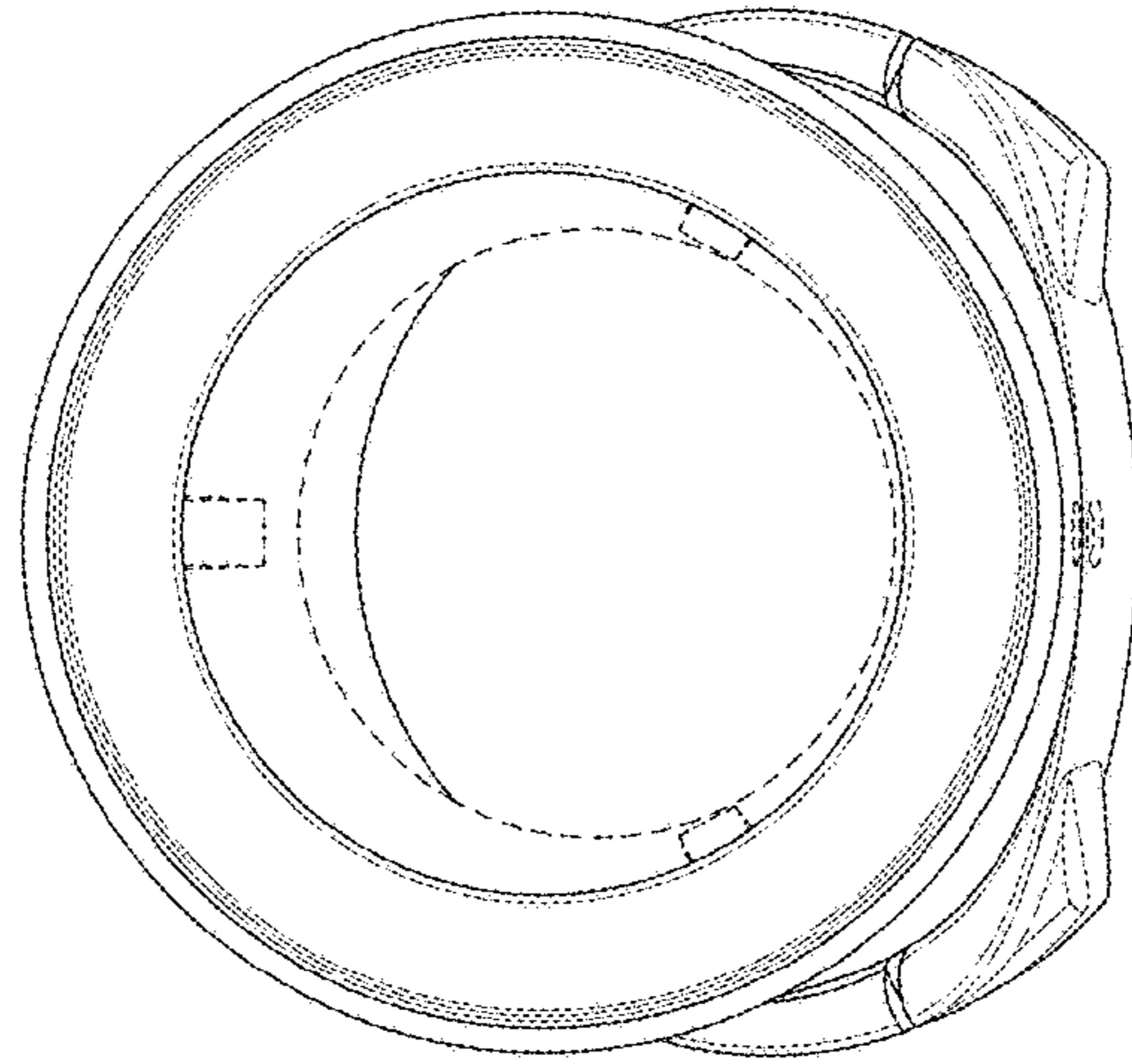
**FIG. 4**



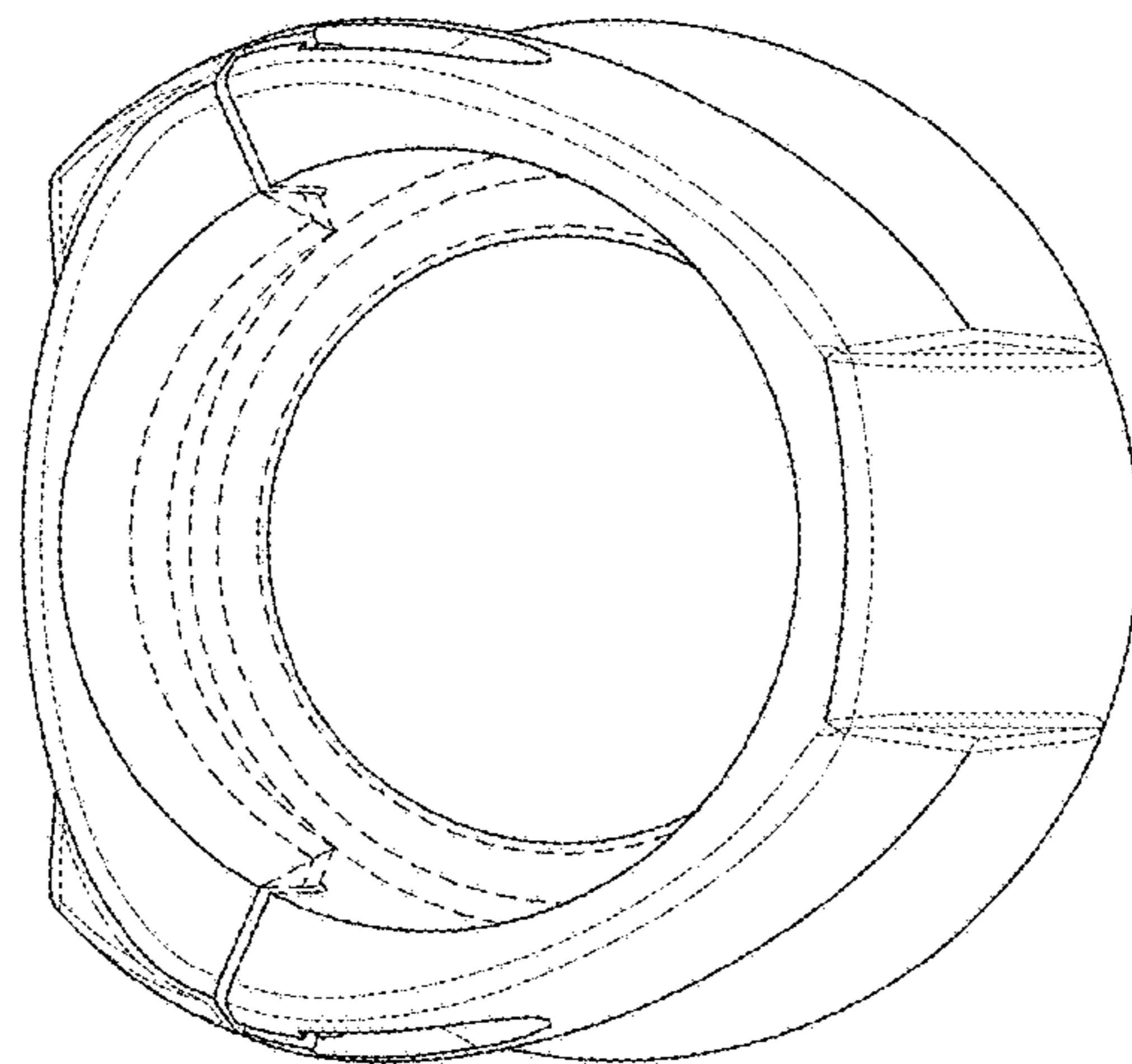
**FIG. 5**



**FIG. 6**



**FIG. 7**



**FIG. 8**