



US00D853656S

(12) **United States Design Patent** (10) **Patent No.:** **US D853,656 S**  
**Martin et al.** (45) **Date of Patent:** **\*\* Jul. 9, 2019**

(54) **FACE SHIELD WITH HEAD STRAP ASSEMBLY**

FOREIGN PATENT DOCUMENTS

(71) Applicant: **O&M Halyard, Inc.**, Mechanicsville, VA (US)

BE 748423 A2 9/1970  
DE 519567 C 3/1931  
(Continued)

(72) Inventors: **Jared L. Martin**, Cumming, GA (US);  
**Eric C. Steindorf**, Roswell, GA (US);  
**David A. Herrera Pineda**, Coahuila (MX)

*Primary Examiner* — Ruth McInroy  
(74) *Attorney, Agent, or Firm* — Dority & Manning, P.A.

(73) Assignee: **O&M Halyard, Inc.**, Mechanicsville, VA (US)

(57) **CLAIM**

The ornamental design for a face shield with head strap assembly, as shown and described.

(\*\*) Term: **15 Years**

**DESCRIPTION**

(21) Appl. No.: **29/606,553**

(22) Filed: **Jun. 6, 2017**

(51) **LOC (11) Cl.** ..... **29-02**

(52) **U.S. Cl.**  
USPC ..... **D29/110**

(58) **Field of Classification Search**  
USPC ..... D29/122, 108–111, 102–103, 106–107  
CPC ..... A42B 3/00; A42B 3/04; A42B 3/0406;  
A42B 3/18; A42B 3/20; A42B 3/225;  
A61F 9/06

See application file for complete search history.

FIG. 1 is a front perspective view of a face shield with head strap assembly showing our new design;  
FIG. 2 is another front perspective view thereof;  
FIG. 3 is a front view thereof;  
FIG. 4 is a left side view thereof;  
FIG. 5 is a right side view thereof;  
FIG. 6 is a rear view thereof;  
FIG. 7 is a top view thereof;  
FIG. 8 is a bottom view thereof;  
FIG. 9 is a rear perspective view thereof, in a flattened storage position;  
FIG. 10 is a front perspective view of a second embodiment thereof;  
FIG. 11 is another front perspective view of FIG. 10;  
FIG. 12 is a front view of FIG. 10;  
FIG. 13 is a left side view of FIG. 10;  
FIG. 14 is a right side view of FIG. 10;  
FIG. 15 is a rear view of FIG. 10;  
FIG. 16 is a top view of FIG. 10;  
FIG. 17 is a bottom view of FIG. 10; and,  
FIG. 18 is a rear perspective view of FIG. 10, in a flattened storage position.  
The details shown in broken lines form no part of the claimed design.

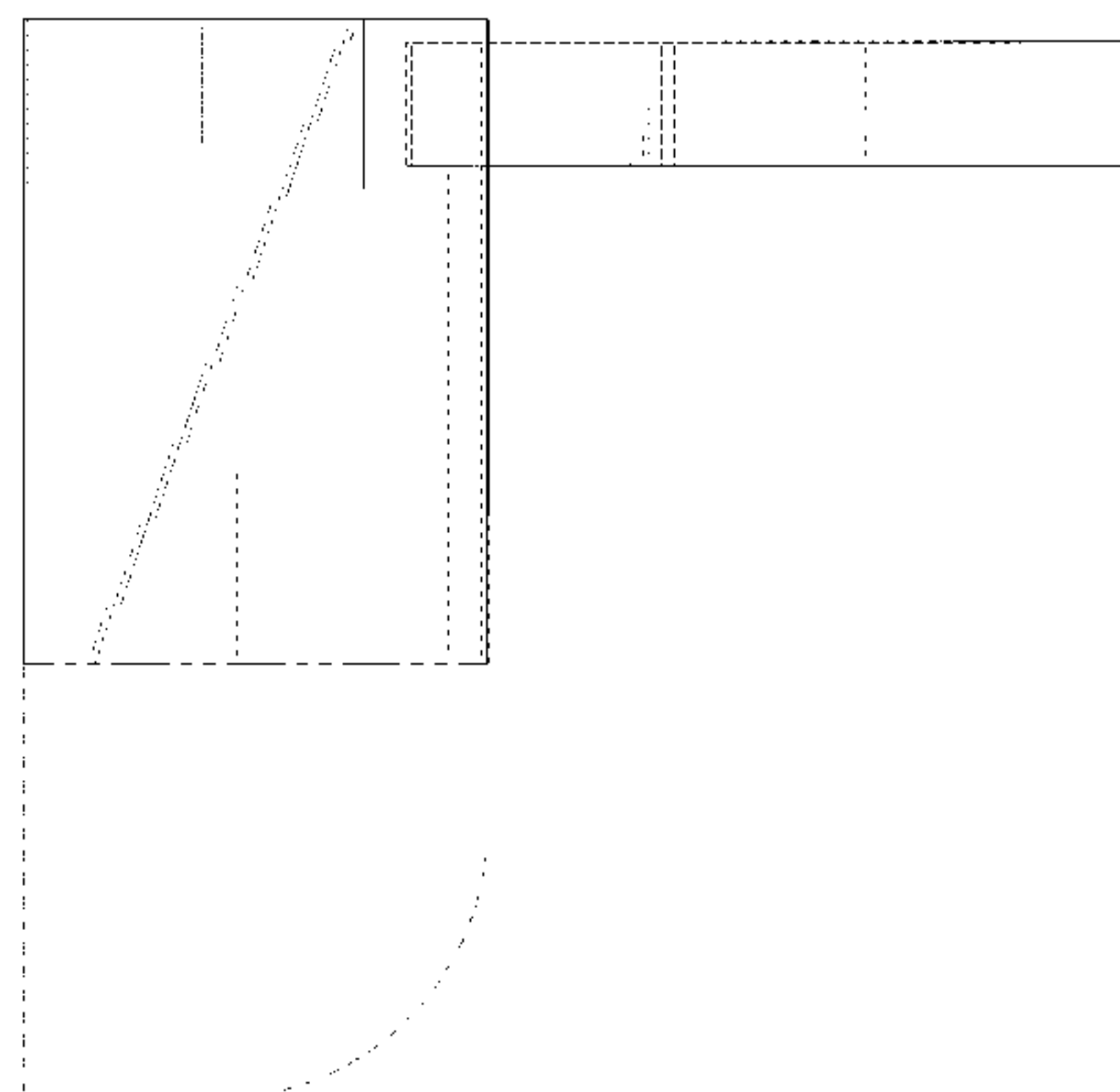
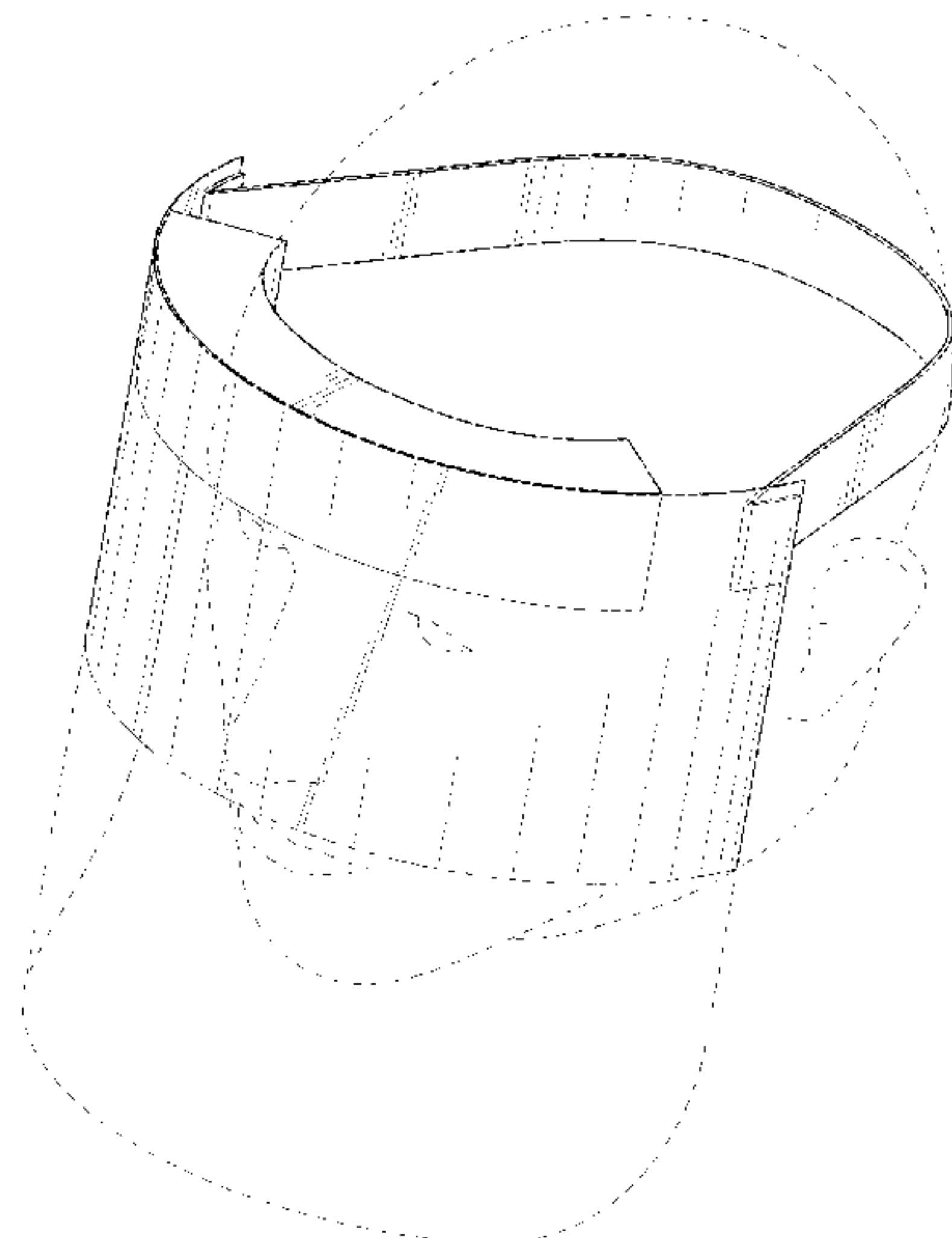
(56) **References Cited**

U.S. PATENT DOCUMENTS

224,973 A	2/1880	Wallis
704,311 A	7/1902	Galley
797,293 A	8/1905	Lang
1,337,036 A	4/1920	Bergmann
1,911,817 A	5/1933	Du Bois
1,923,340 A	8/1933	Steckler
1,932,326 A	10/1933	Sievers
2,141,972 A	12/1938	Feiler
2,262,449 A	11/1941	Buegeleisen
2,272,833 A	2/1942	Dockson
2,277,090 A	3/1942	Feiler

(Continued)

**1 Claim, 18 Drawing Sheets**



(56)

References Cited

U.S. PATENT DOCUMENTS

2,342,982 A 2/1944 Stern et al.  
 2,360,482 A 10/1944 Evans  
 2,132,767 A 12/1947 Klein  
 2,731,637 A 1/1956 Kaplan et al.  
 2,758,307 A 8/1956 Teiber  
 2,881,443 A 4/1959 Barker, Jr.  
 2,987,730 A 6/1961 Walker  
 3,241,155 A 3/1966 Phillips  
 D206,620 S 1/1967 Hoffman  
 3,295,143 A 1/1967 Hoffman  
 3,310,709 A 3/1967 Phillips  
 3,763,495 A 10/1973 De Angelis  
 3,828,366 A 8/1974 Conrad et al.  
 4,428,079 A 1/1984 McKee  
 4,513,197 A 4/1985 Courvoisier et al.  
 4,701,965 A 10/1987 Landis  
 4,852,185 A 8/1989 Olson  
 4,853,974 A 8/1989 Olim  
 4,867,178 A 9/1989 Smith  
 4,872,465 A 10/1989 Kuntz et al.  
 D306,363 S \* 2/1990 Stackhouse ..... D29/110  
 4,944,312 A 7/1990 Smith  
 D312,331 S 11/1990 Poettgen  
 5,113,528 A 5/1992 Burke, Jr. et al.  
 D349,362 S \* 8/1994 Russell ..... D29/110  
 D354,588 S \* 1/1995 Russell ..... D29/110

D354,589 S \* 1/1995 Russell ..... D29/110  
 D361,160 S \* 8/1995 Russell ..... D29/110  
 5,440,760 A 8/1995 Highsmith  
 D362,086 S \* 9/1995 Russell ..... D29/110  
 D375,583 S \* 11/1996 Landis ..... D29/108  
 D458,713 S \* 6/2002 Cheng ..... D29/110  
 D499,214 S \* 11/2004 Cheng ..... D29/110  
 D539,485 S \* 3/2007 Huh ..... D29/110  
 D563,603 S \* 3/2008 Huh ..... D29/122  
 D657,918 S \* 4/2012 Lee ..... D29/110  
 D670,036 S \* 10/2012 Folkesson ..... D29/108  
 D732,242 S \* 6/2015 Miller ..... D29/110  
 9,560,893 B2 \* 2/2017 Gleason ..... A42B 3/142  
 D805,256 S \* 12/2017 Yang ..... D29/110

FOREIGN PATENT DOCUMENTS

DE	3006391	A1	8/1981
FR	625304	A	8/1927
FR	822714	A	1/1938
FR	1024440	A	4/1953
FR	1122051	A	8/1956
FR	1349097	A	1/1964
FR	1469836	A	2/1967
GB	190200085		6/1902
GB	242310		12/1925
GB	594079		11/1947

\* cited by examiner

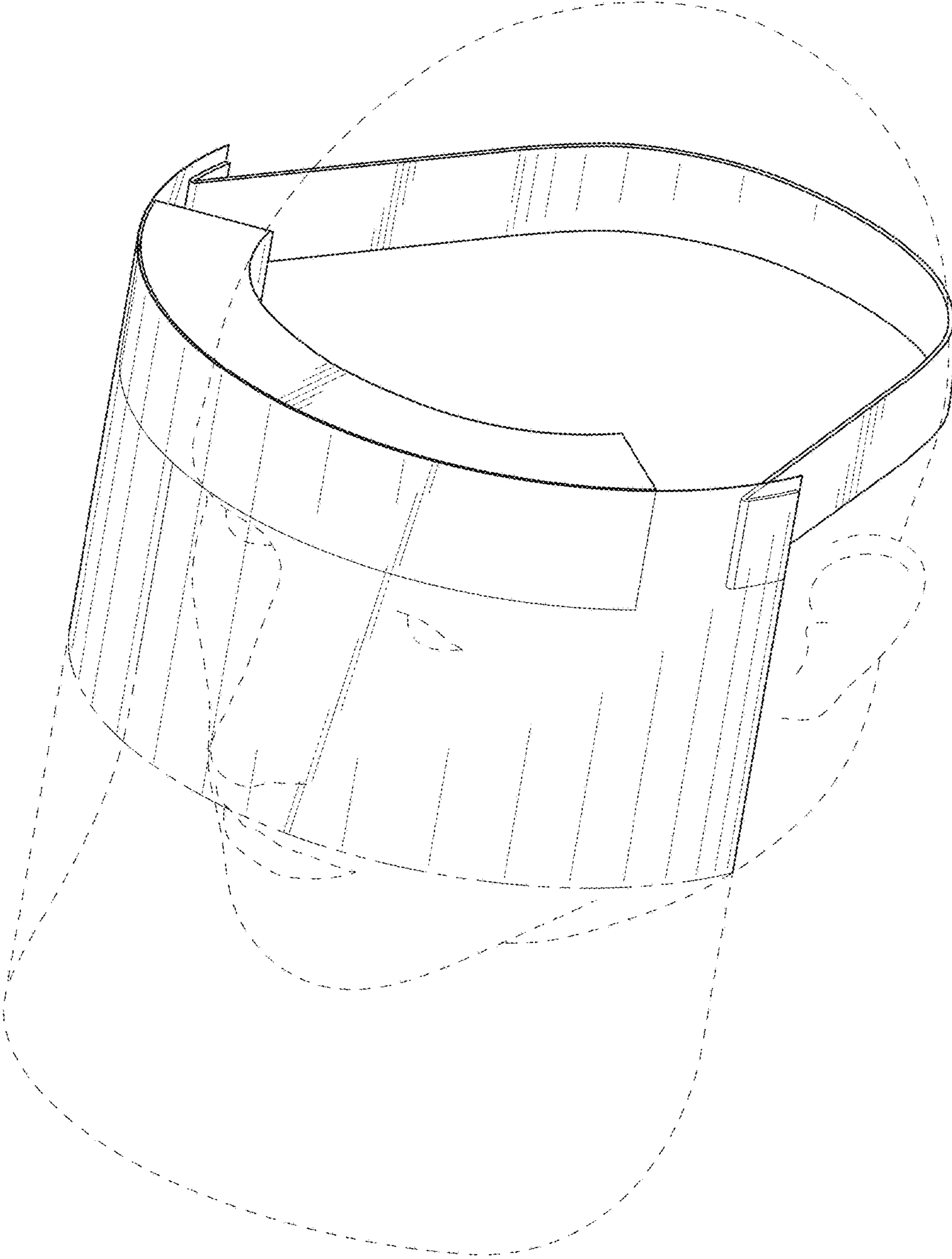


FIG. 1

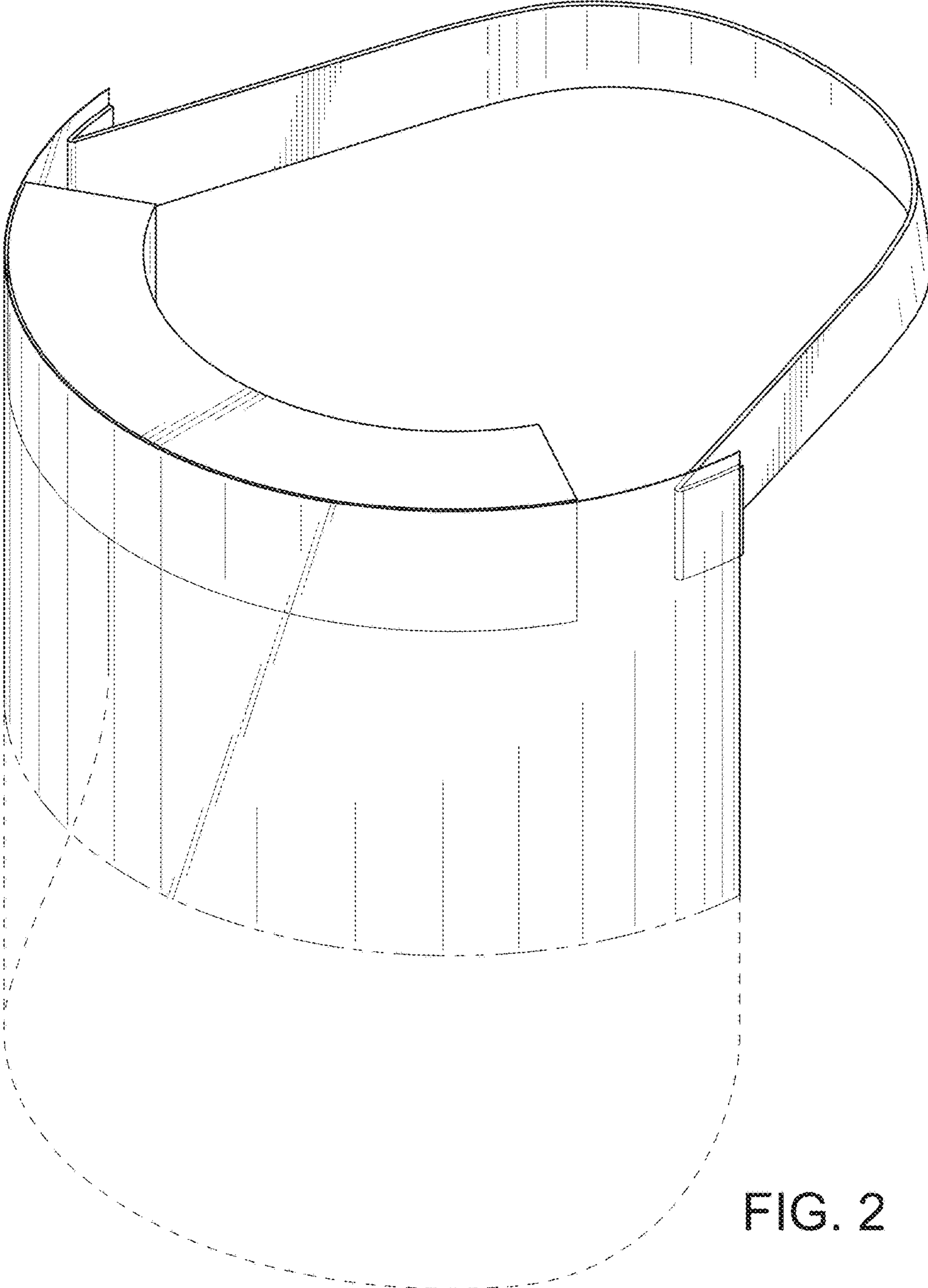


FIG. 2

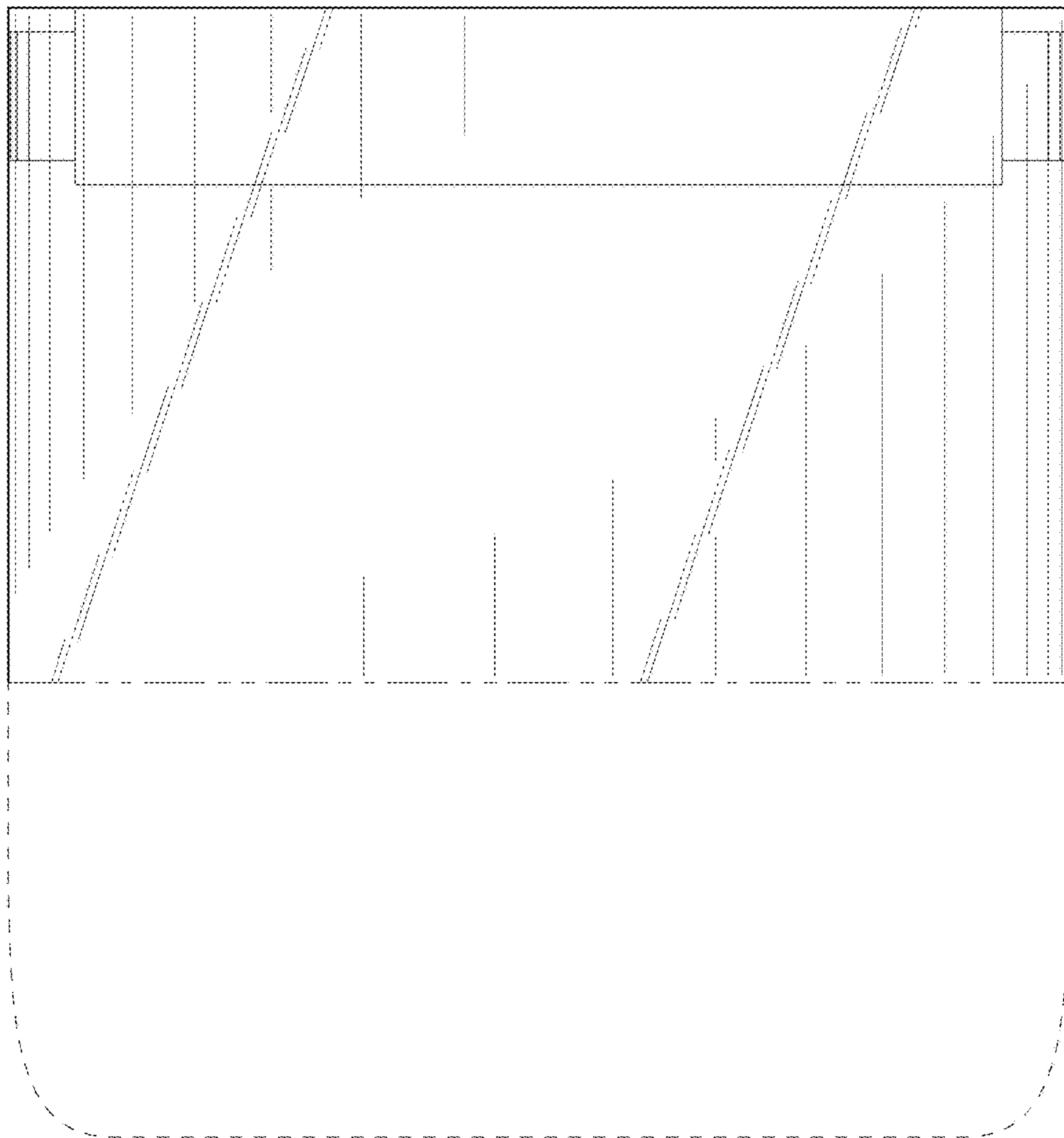


FIG. 3



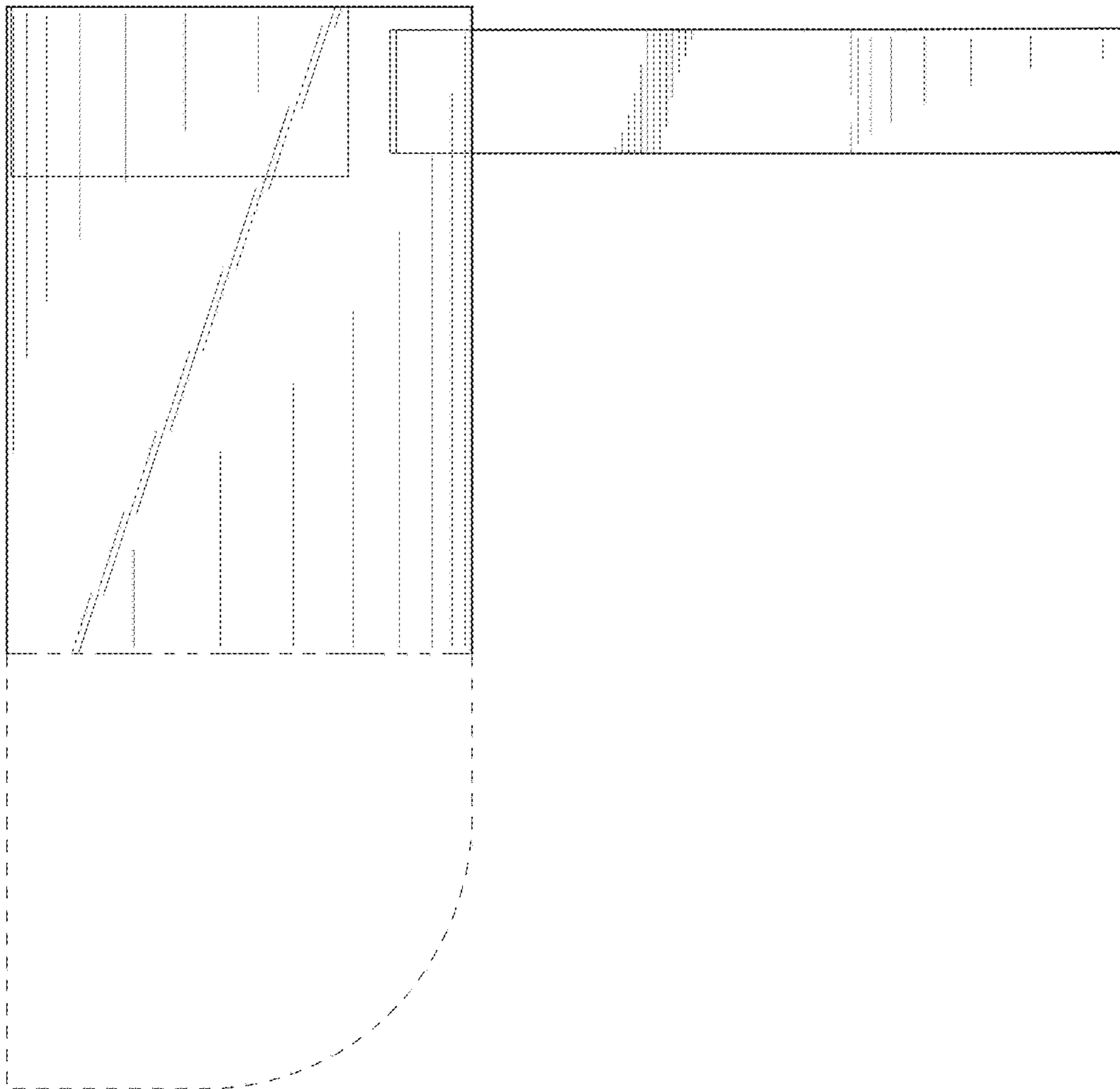


FIG. 4

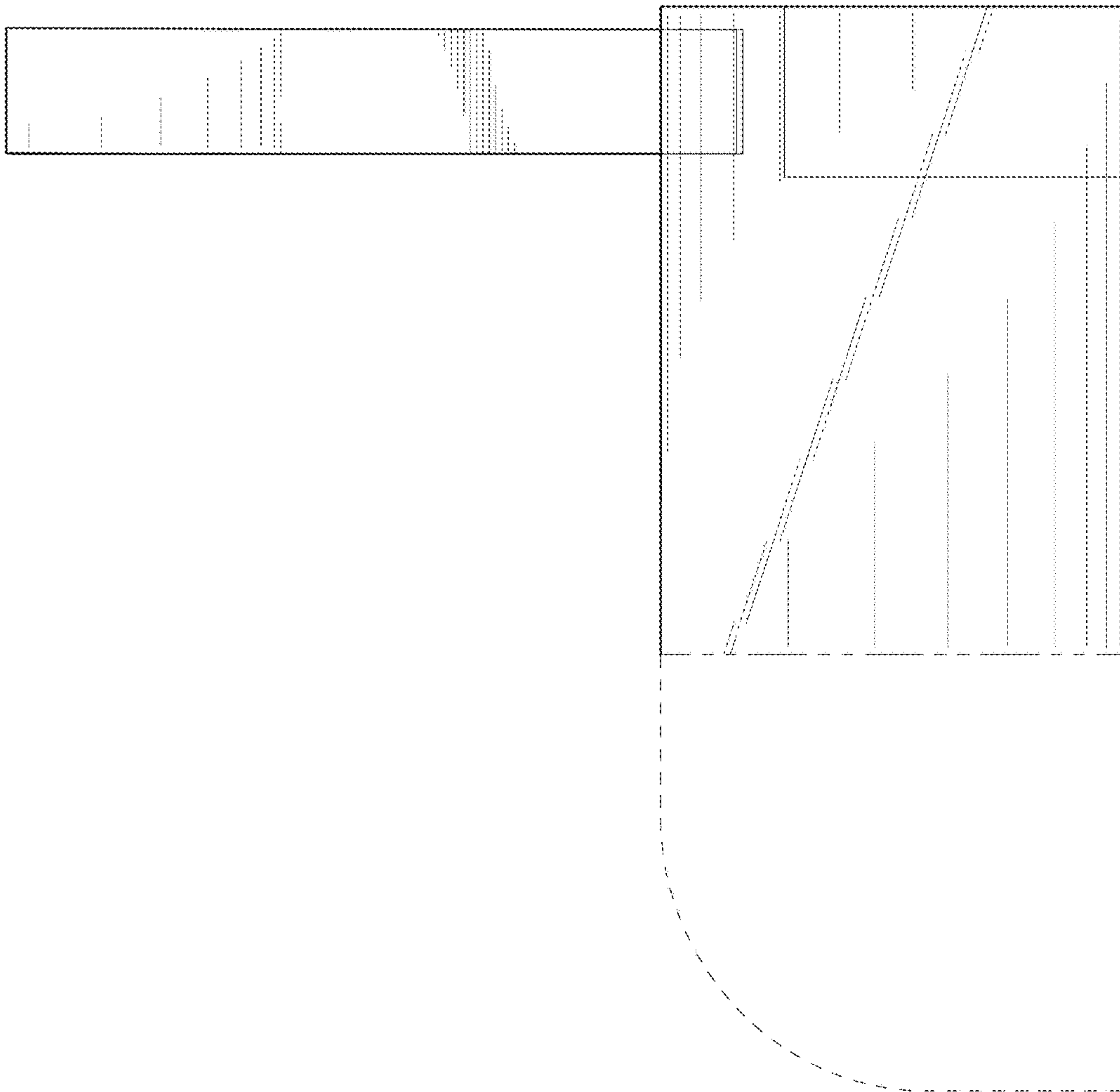


FIG. 5

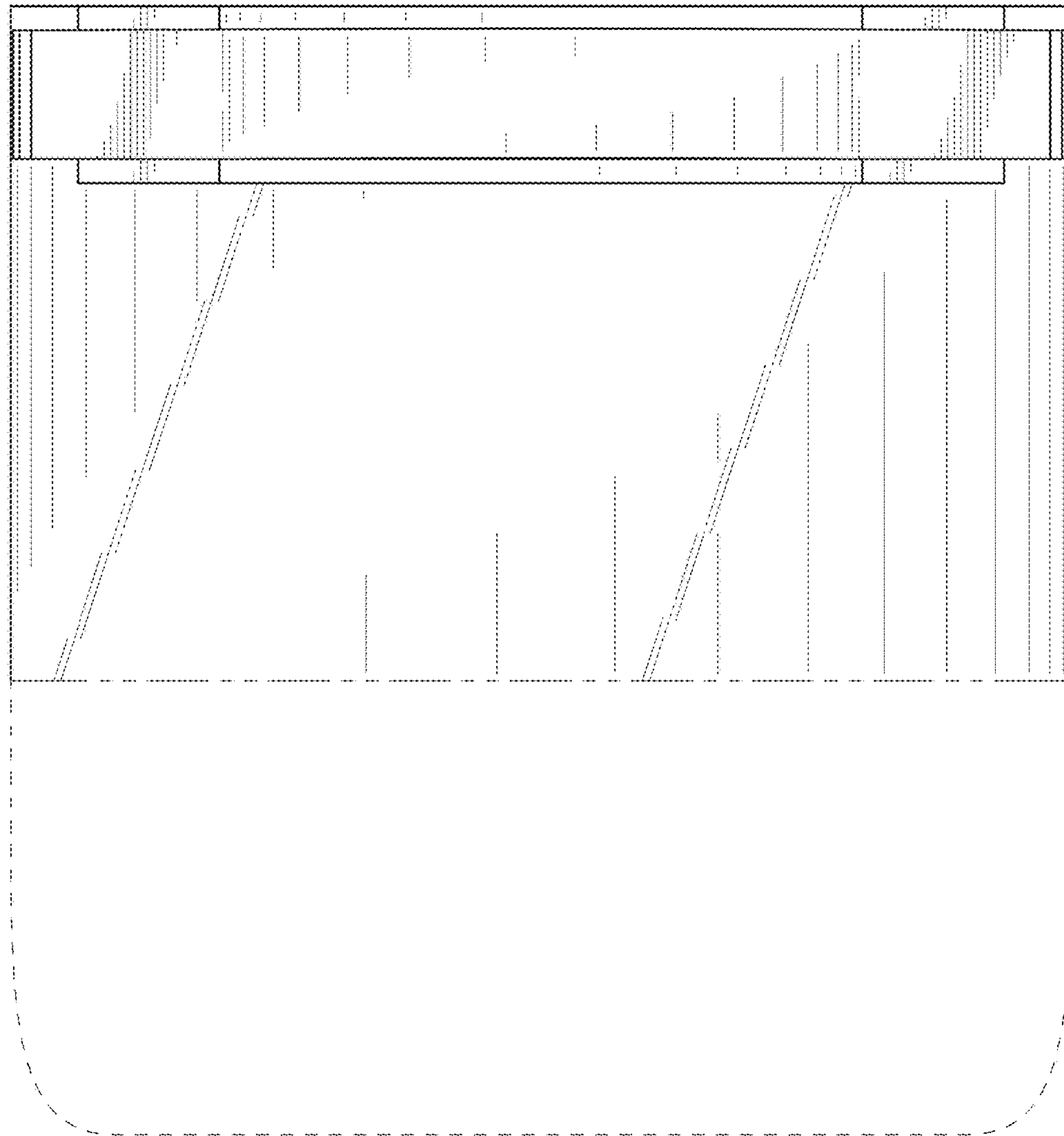


FIG. 6



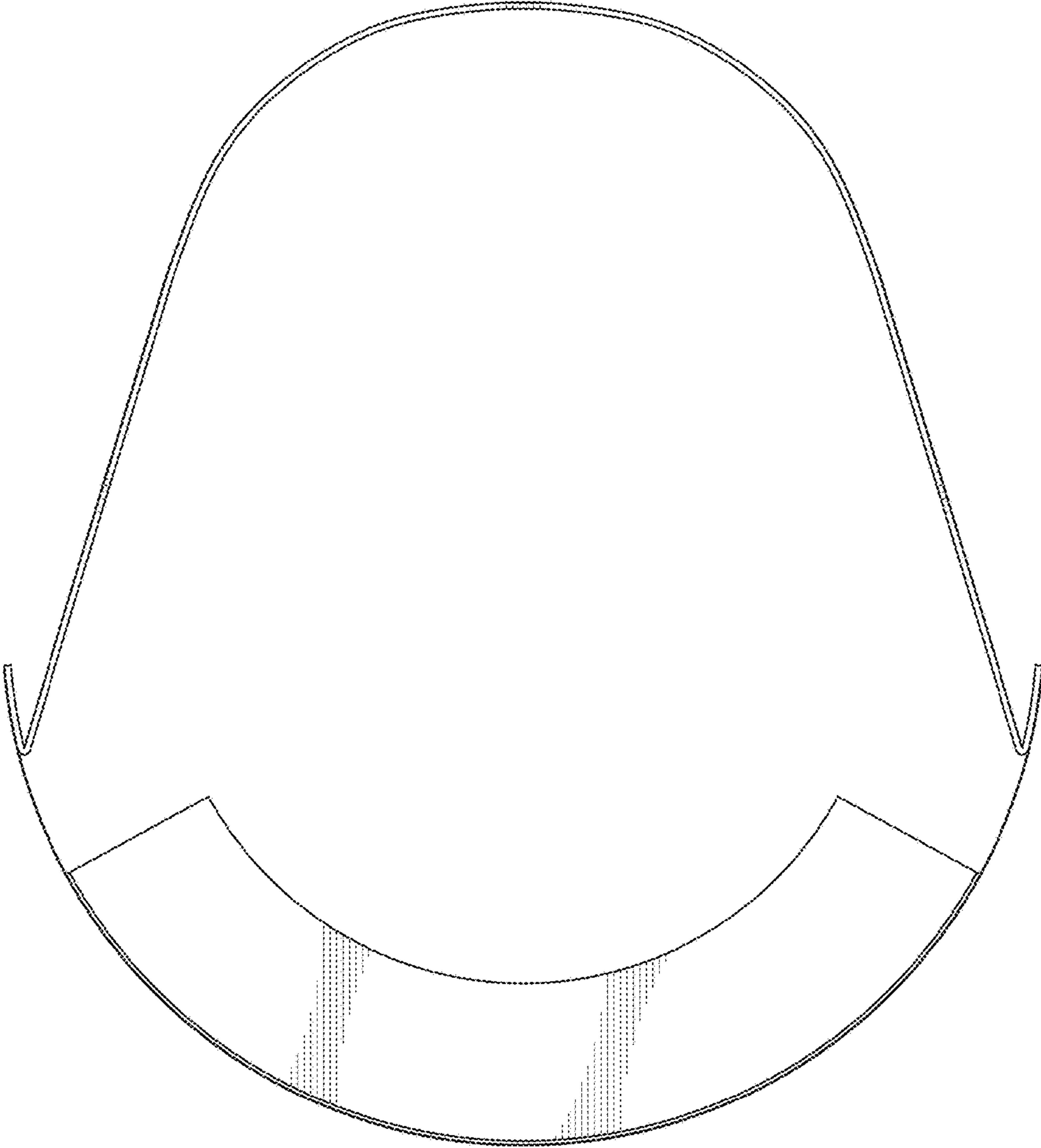


FIG. 7

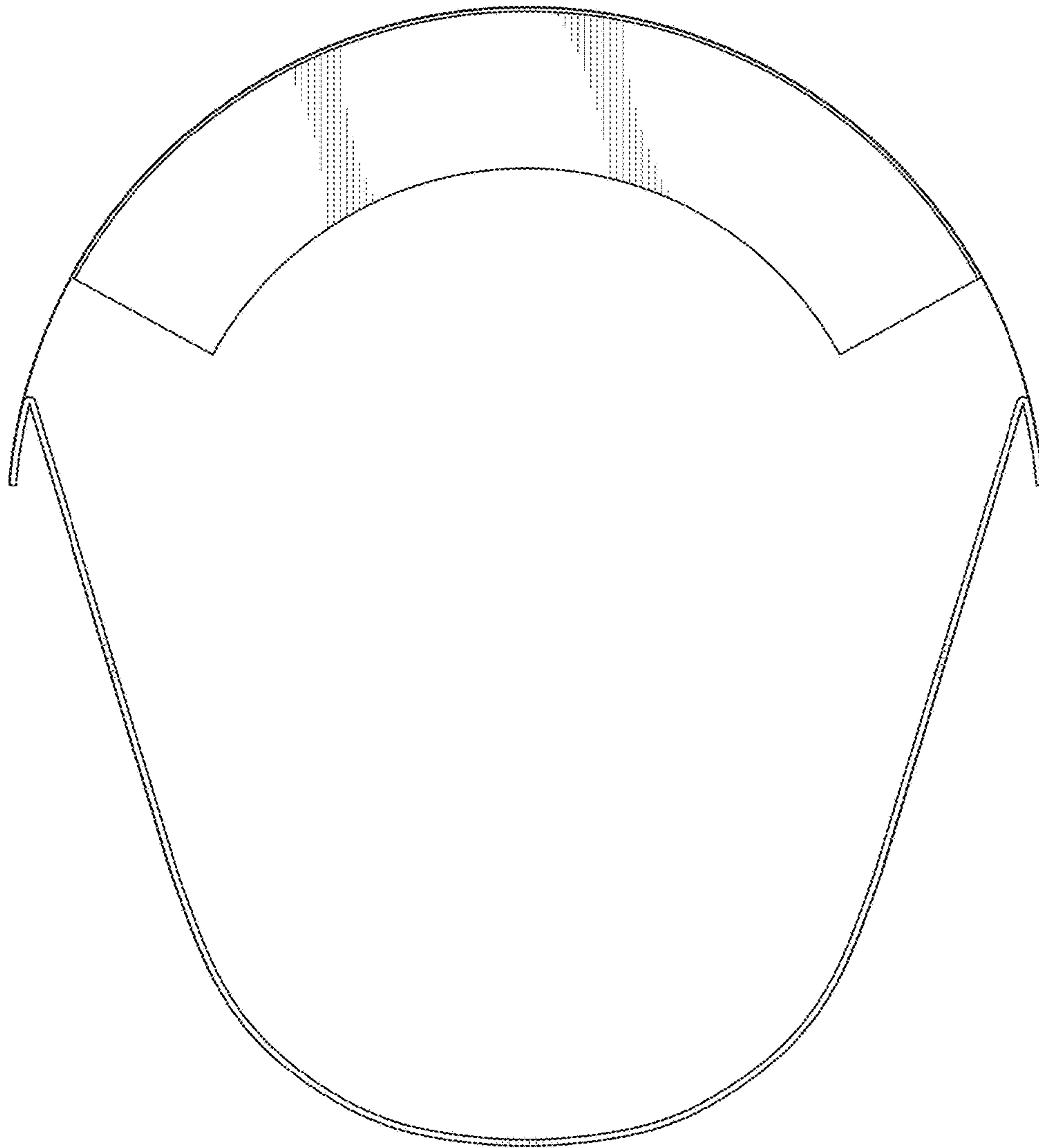


FIG. 8

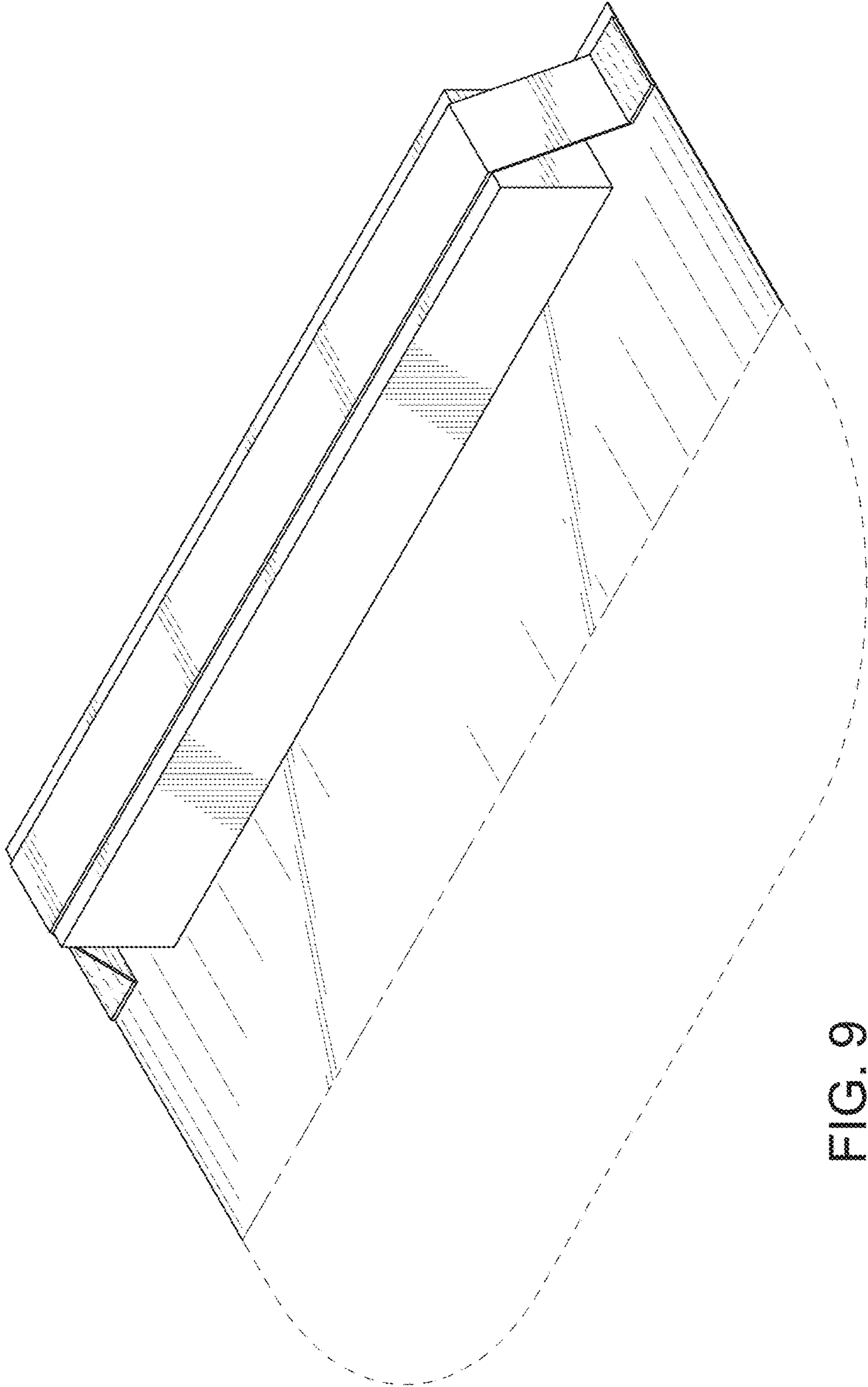


FIG. 9

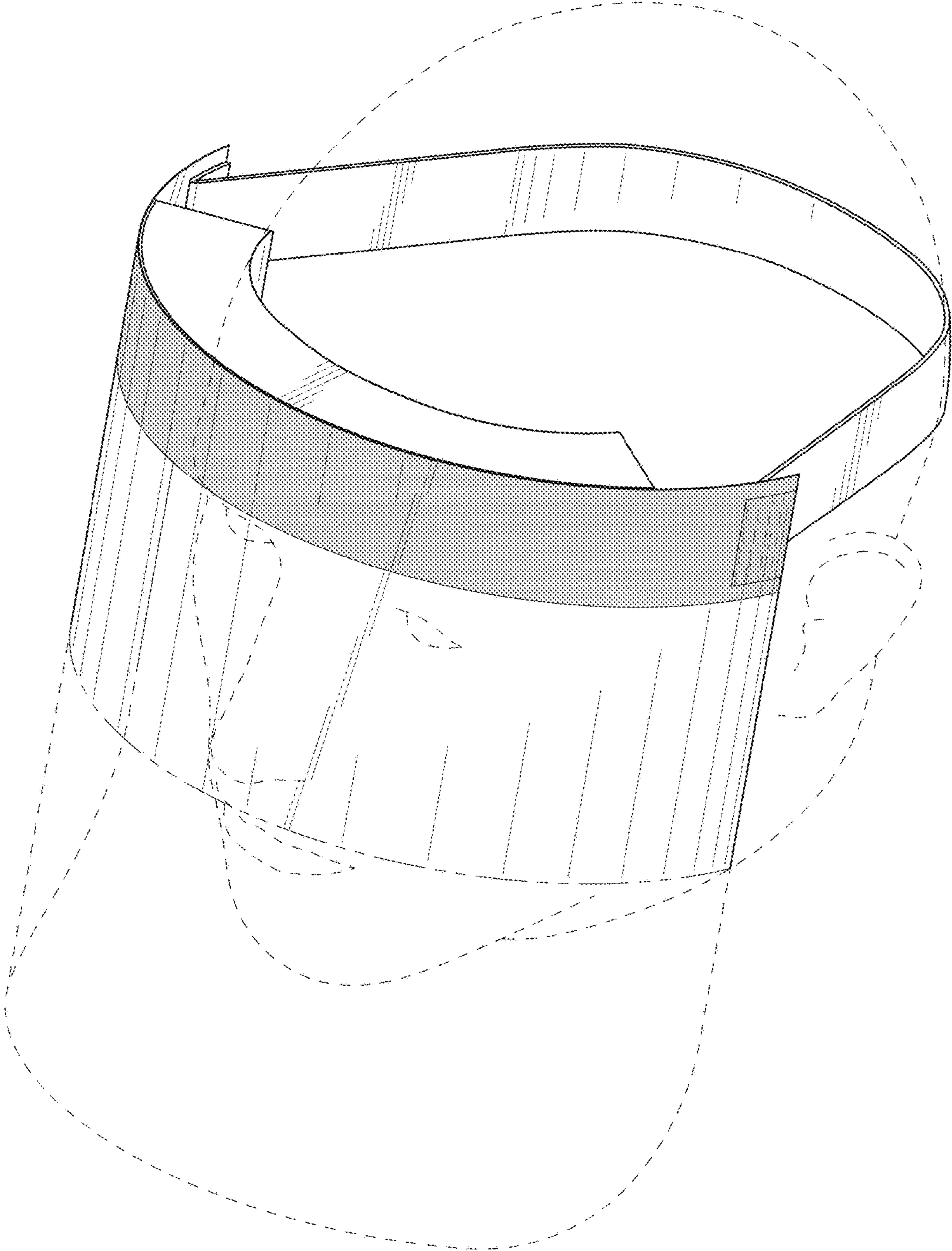


FIG. 10

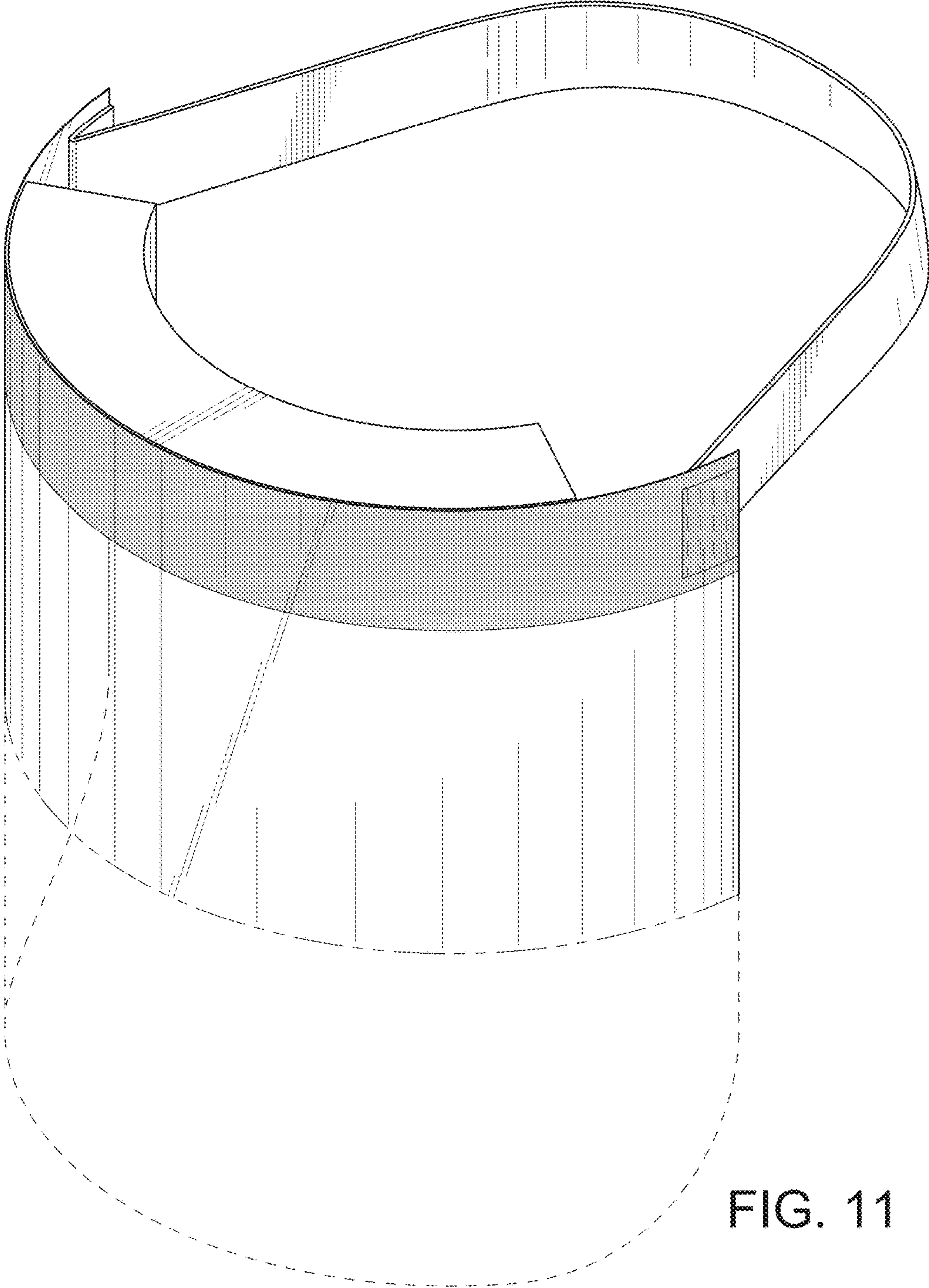


FIG. 11



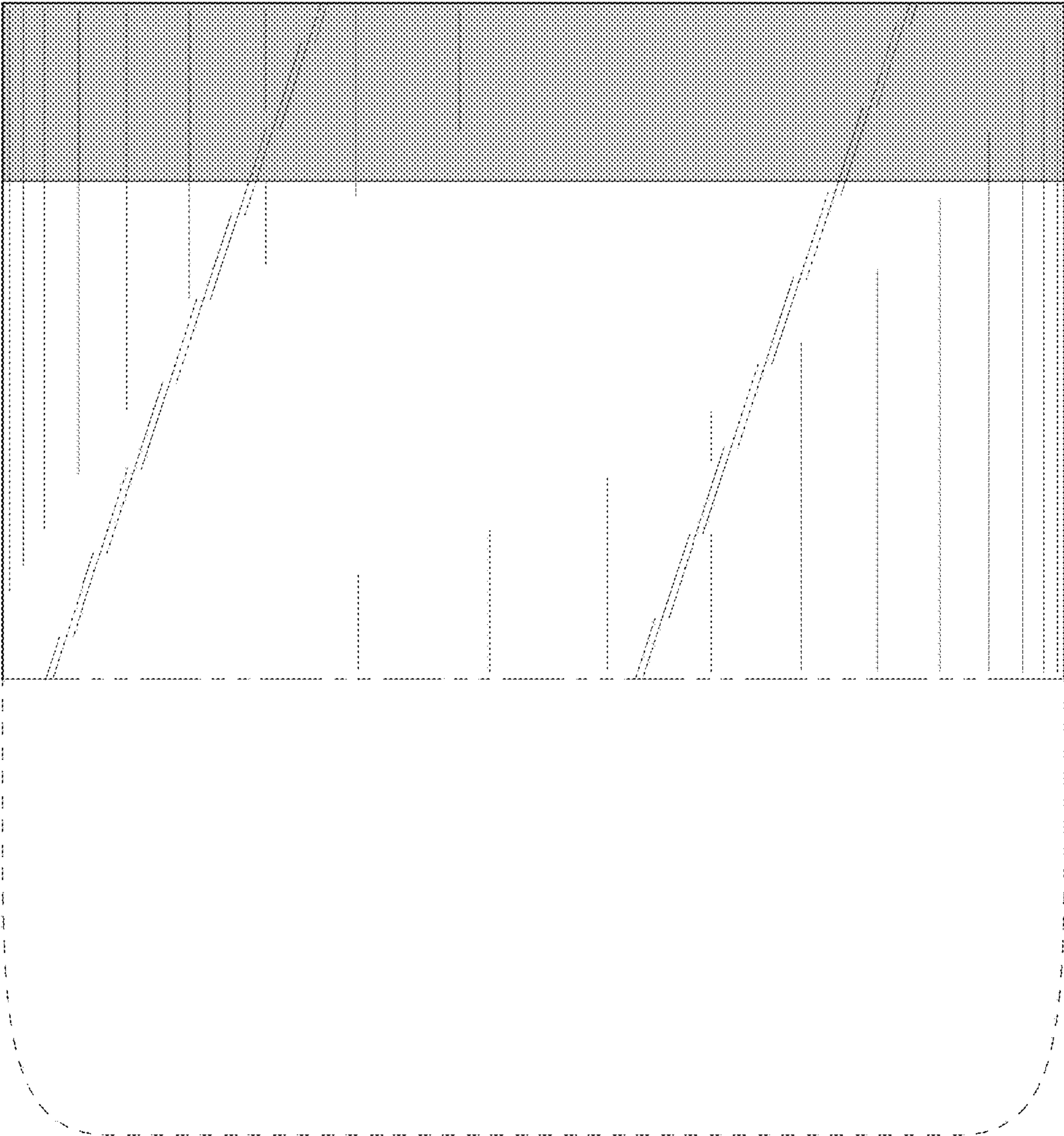


FIG. 12



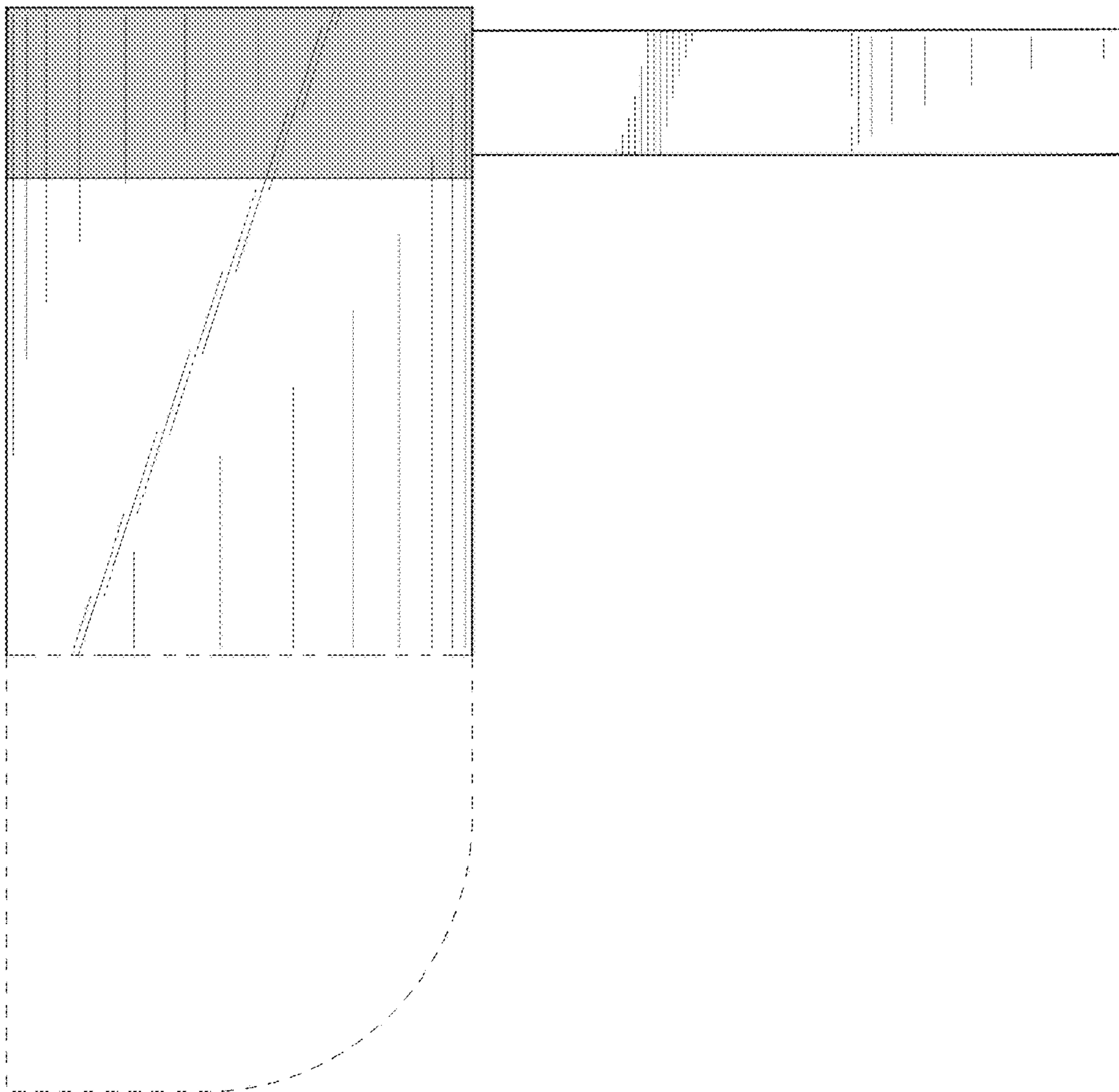


FIG. 13

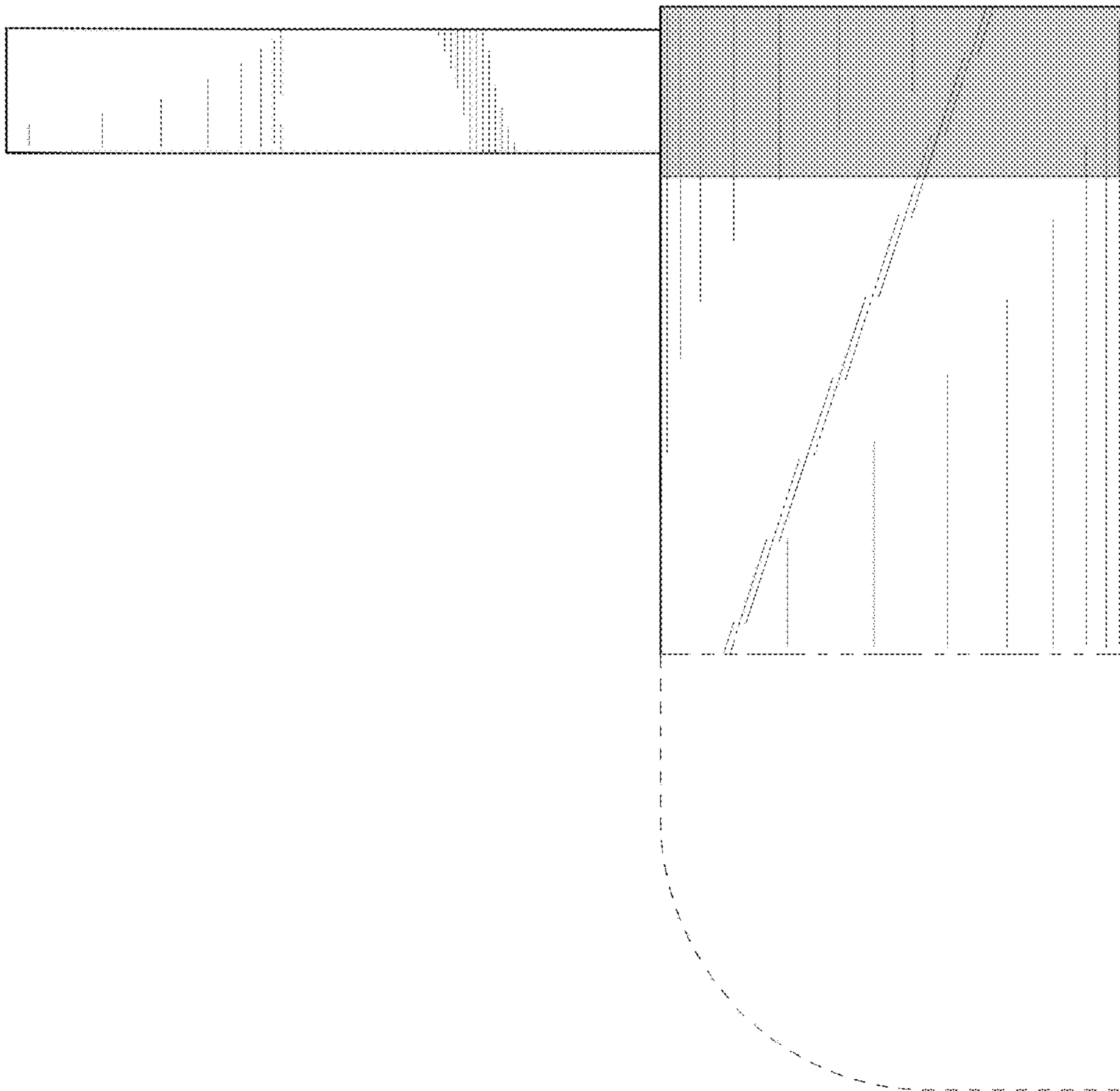


FIG. 14

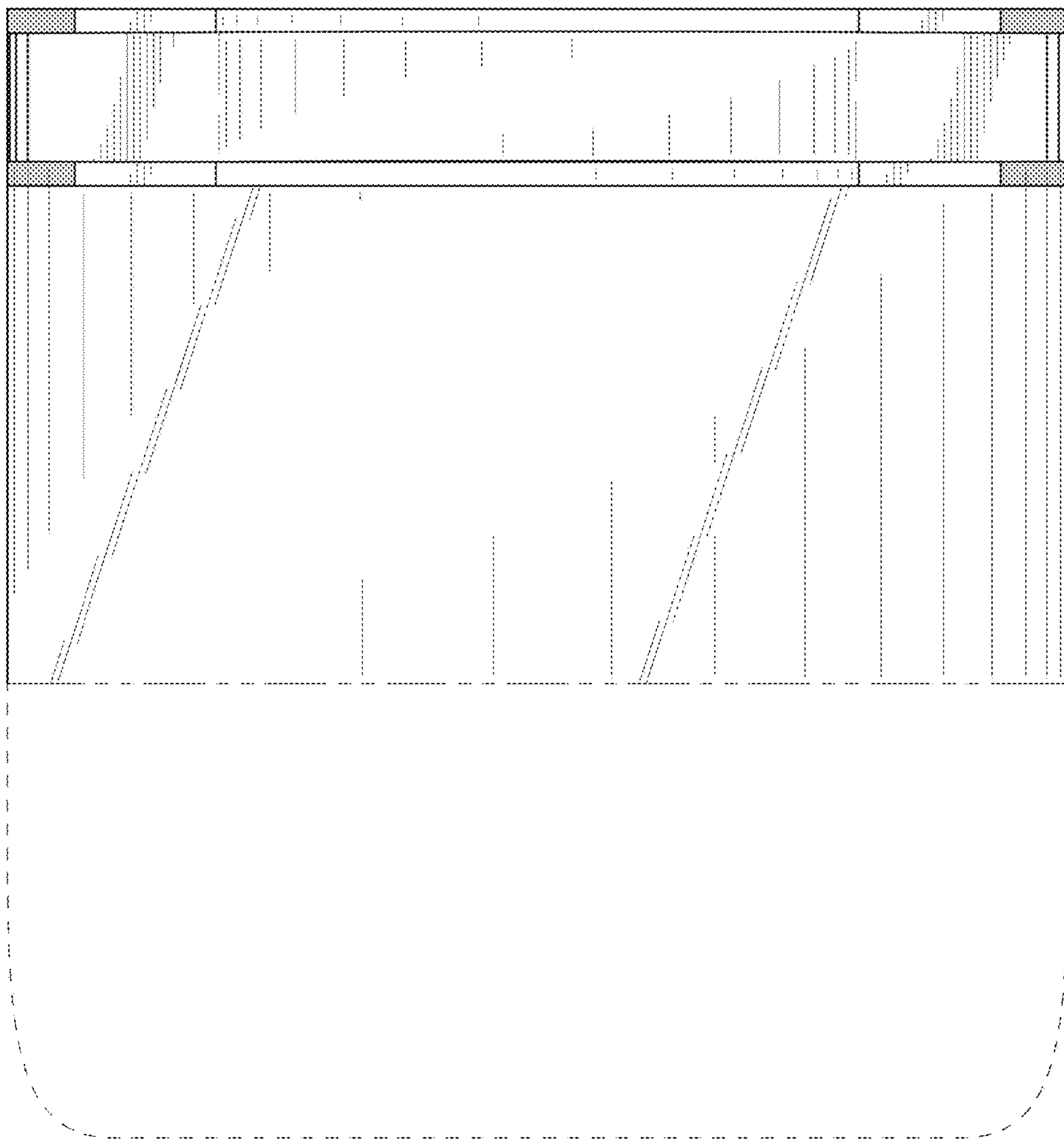


FIG. 15

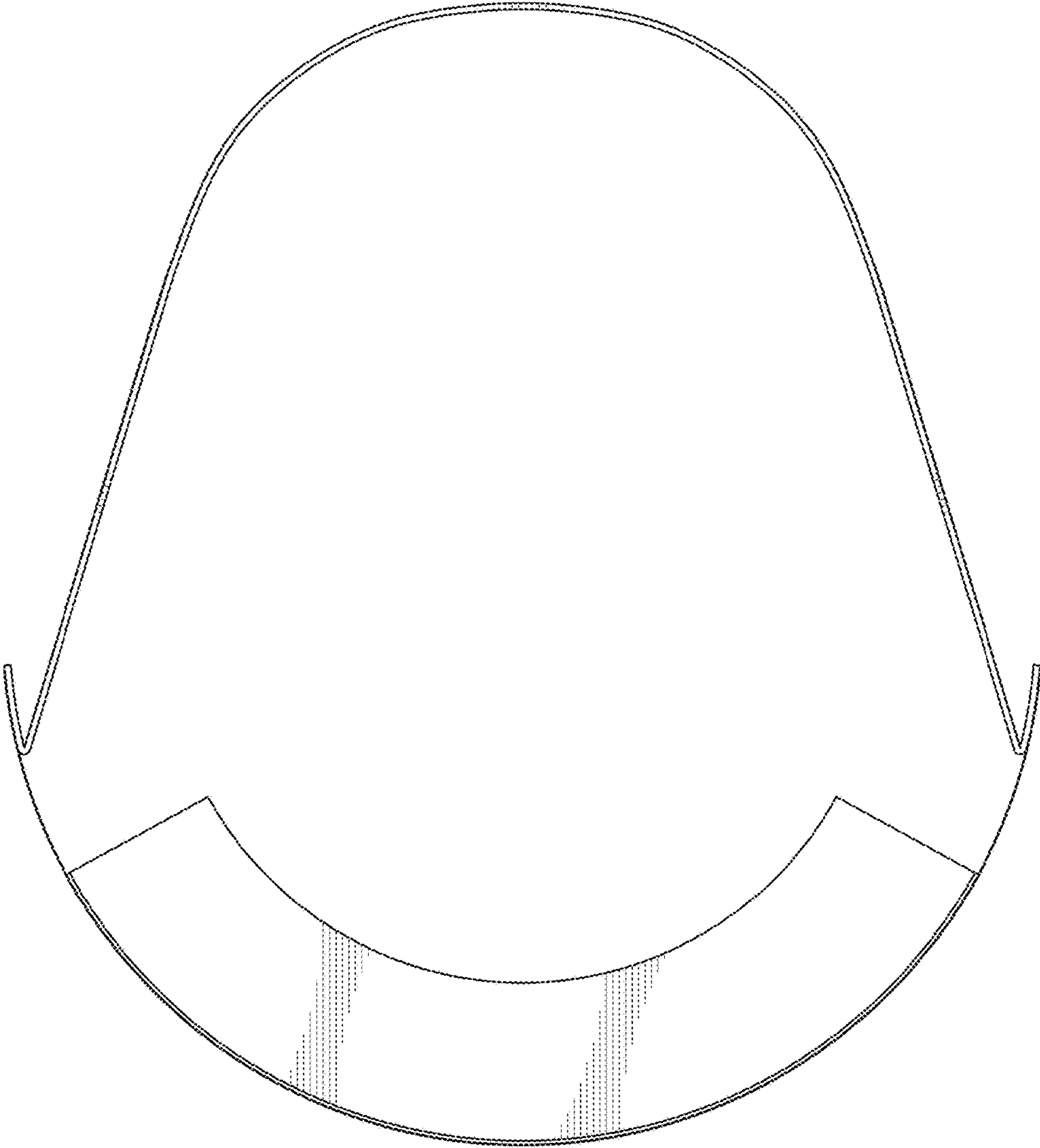


FIG. 16

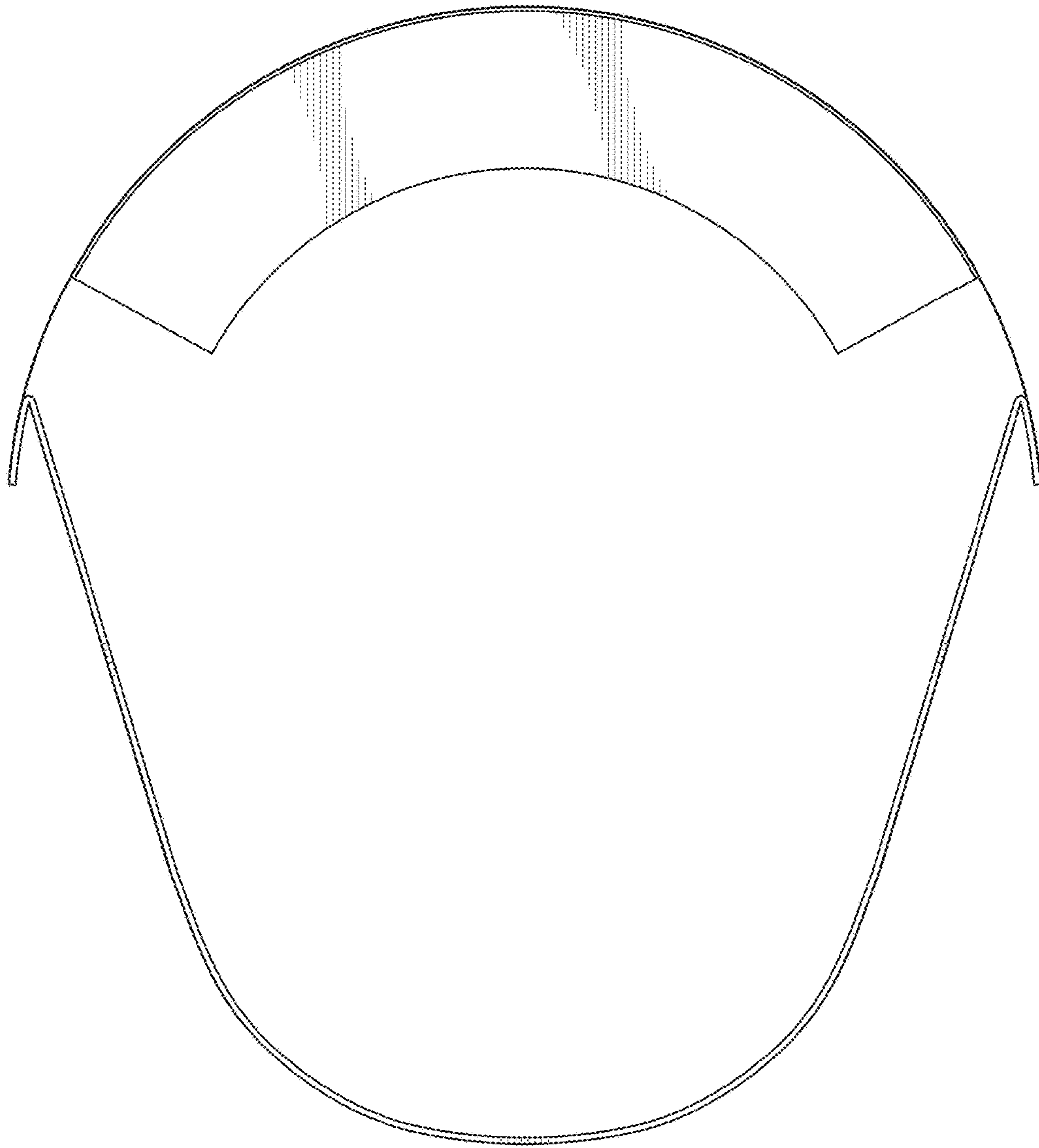


FIG. 17

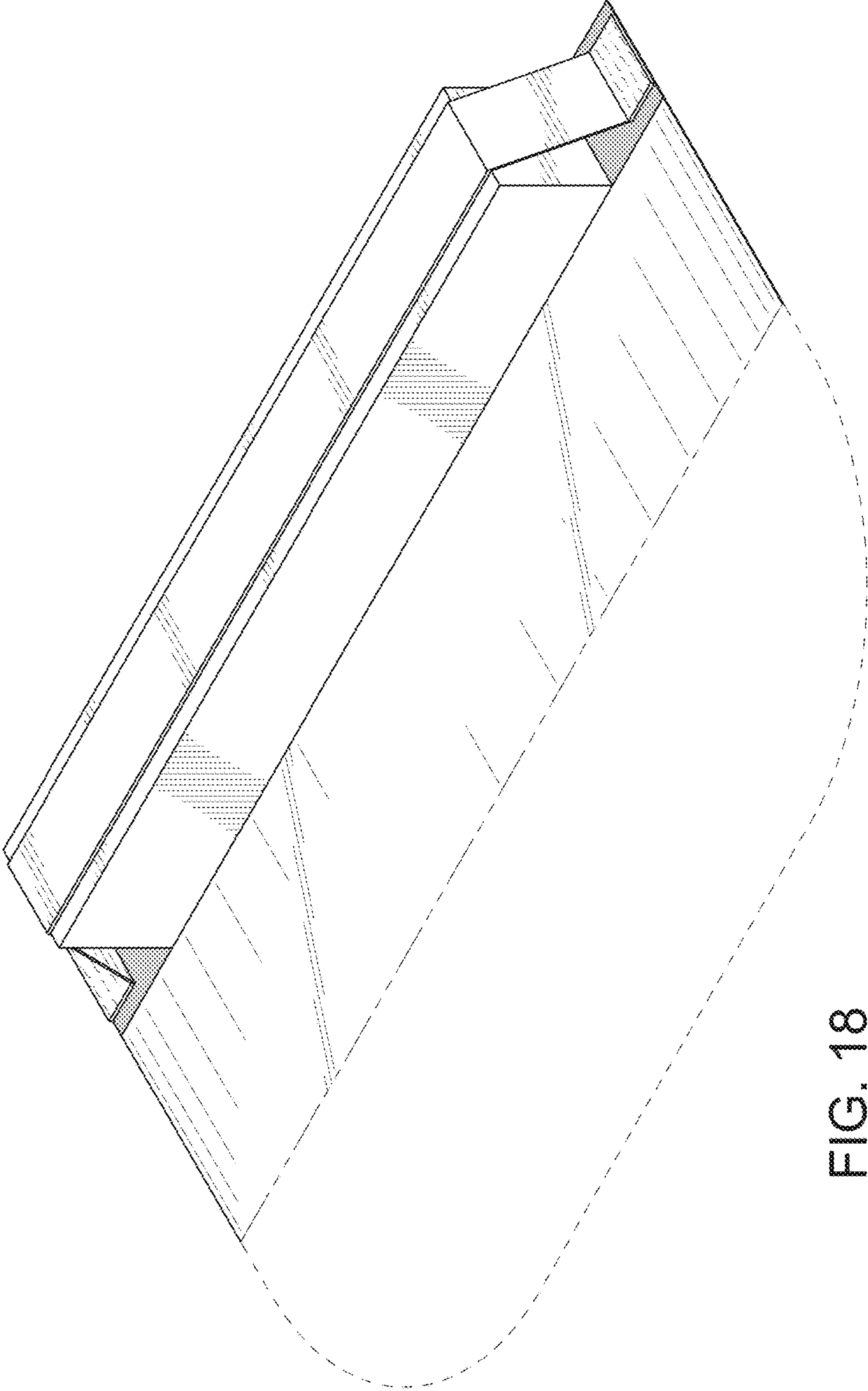


FIG. 18