



US00D853649S

(12) **United States Design Patent**
Tan et al.

(10) **Patent No.:** **US D853,649 S**
(45) **Date of Patent:** **** Jul. 9, 2019**

(54) **NAIL POWDER APPLICATION AND RECYCLING TRAY**

(71) Applicant: **Glam and Glits Nail Design, Inc.**,
Bakersfield, CA (US)

(72) Inventors: **Ana Katrina Tan**, Bakersfield, CA
(US); **Khoa Duong**, Bakersfield, CA
(US)

(73) Assignee: **Glam and Glits Nail Design, Inc.**,
Bakersfield, CA (US)

(**) Term: **15 Years**

(21) Appl. No.: **29/609,664**

(22) Filed: **Jul. 3, 2017**

(51) **LOC (11) Cl.** **28-03**

(52) **U.S. Cl.**
USPC **D28/61**

(58) **Field of Classification Search**
USPC D28/8.1, 38, 56, 57, 58, 59, 61, 62,
D28/73-75, 76-84; D19/75, 77
CPC A45C 11/00; A47B 81/00; A47G 29/08;
A47G 29/18; A47G 29/22
See application file for complete search history.

(56) **References Cited**

U.S. PATENT DOCUMENTS

2,291,125	A	7/1942	Wilkinson	
2,662,534	A	12/1953	Charles	
D190,828	S *	7/1961	Moser	D28/73
4,524,789	A	6/1985	Sazdanoff	
4,696,316	A	9/1987	Stanley	
4,915,331	A	4/1990	Becker et al.	
D309,356	S *	7/1990	Johns	D28/56
5,027,839	A	7/1991	Appell	
D321,562	S *	11/1991	Ljungvall	5/646
5,139,036	A	8/1992	Pickard	
D400,304	S *	10/1998	Stankovic	D28/57
D481,170	S *	10/2003	Perez	D28/59

D509,082	S *	9/2005	Petrucelli	D6/336
D608,502	S *	1/2010	Andersson	D28/59
8,061,365	B2	11/2011	Rehkemper et al.	
D697,672	S *	1/2014	Pheng	D28/61
D706,985	S *	6/2014	Johnson	D28/59
D734,546	S *	7/2015	Baker	D28/57
9,179,753	B2	11/2015	Huynh	
9,314,083	B2	4/2016	Shaul	
D760,956	S *	7/2016	Horvath	D28/61
D777,981	S	1/2017	Oh	
D826,476	S *	8/2018	Cozzolino	D28/61
2005/0255061	A1	11/2005	Park	

(Continued)

OTHER PUBLICATIONS

How to Use the Kiara Sky Recycling System for Dip Powder Nails, Kiara Sky Nails, published on Aug. 24, 2017 on youtube.com, retrieved on Sep. 16, 2018, retrieved from the Internet URL: <https://www.youtube.com/watch?v=MnenBxF538I>.*

Primary Examiner — Jennifer Rivard

Assistant Examiner — Alison M Ofstun

(74) *Attorney, Agent, or Firm* — Lapple Ubell IP Law, LLP; Matthew C. Lapple

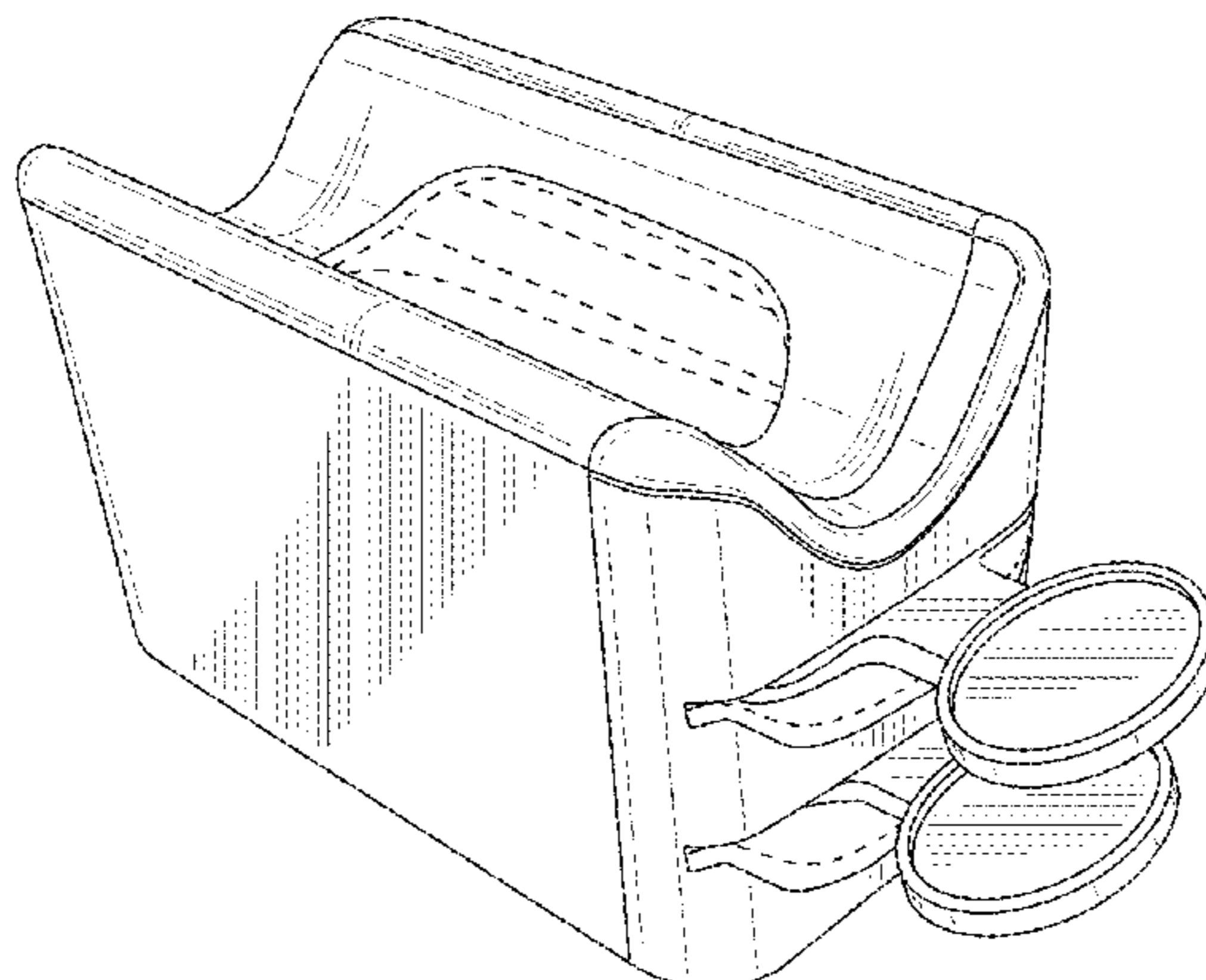
(57) **CLAIM**

The ornamental design for a nail powder application and recycling tray, as shown and described.

DESCRIPTION

FIG. 1 is a perspective view of a nail powder application and recycling tray showing our new design; FIG. 2 is front view thereof; FIG. 3 is a back view thereof; FIG. 4 is a right side view thereof; FIG. 5 is a left side view thereof; FIG. 6 is a top view thereof; and, FIG. 7 is a bottom view thereof. In the figures, the broken lines define the bounds of the claimed design and form no part thereof.

1 Claim, 4 Drawing Sheets



(56)

References Cited

U.S. PATENT DOCUMENTS

2006/0260628 A1 11/2006 Chan
2008/0185012 A1 8/2008 Tran
2009/0260647 A1 10/2009 Ionis et al.
2016/0345708 A1 12/2016 Walia et al.
2018/0192759 A1* 7/2018 Tan A45D 29/22

* cited by examiner

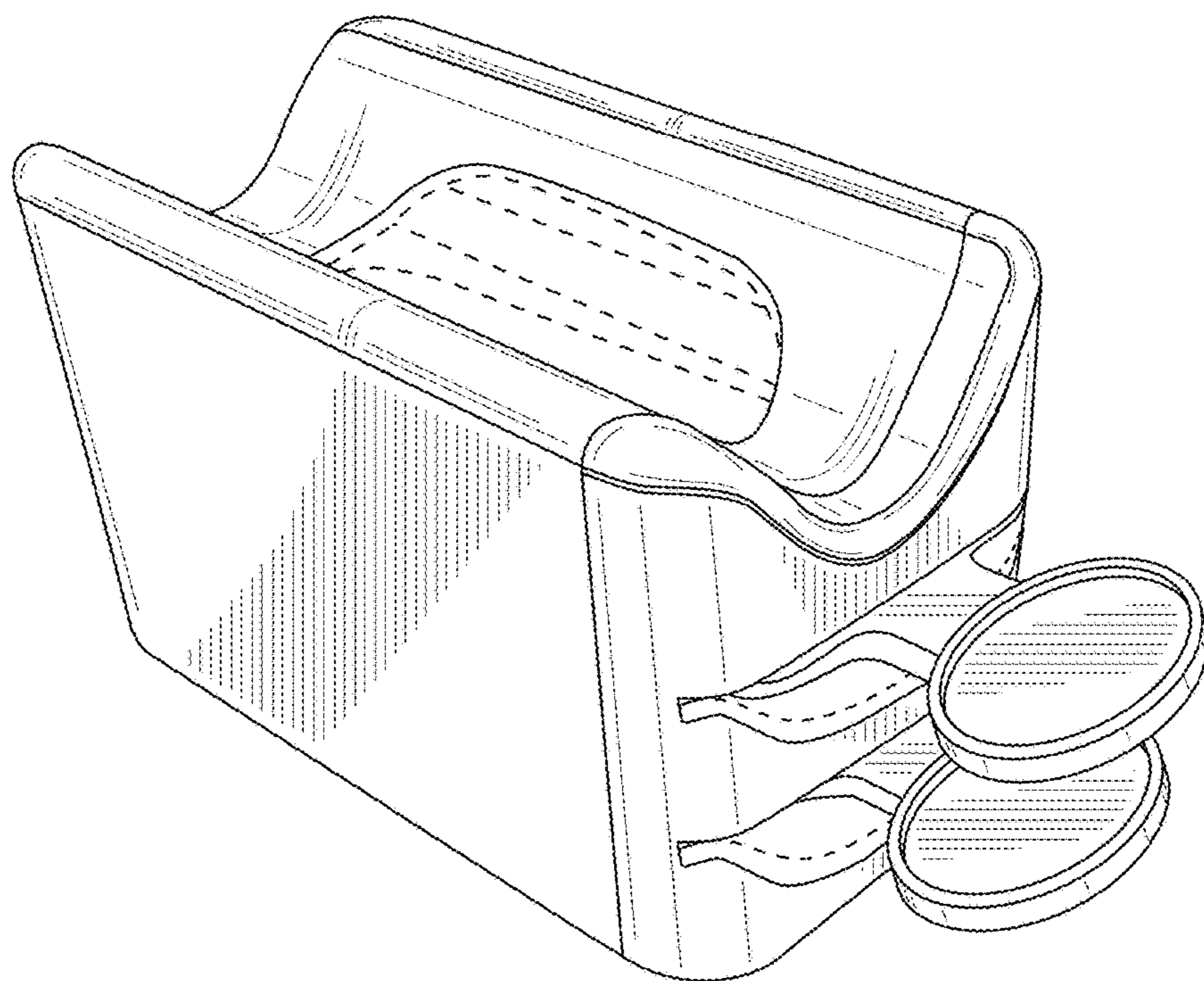


FIG. 1

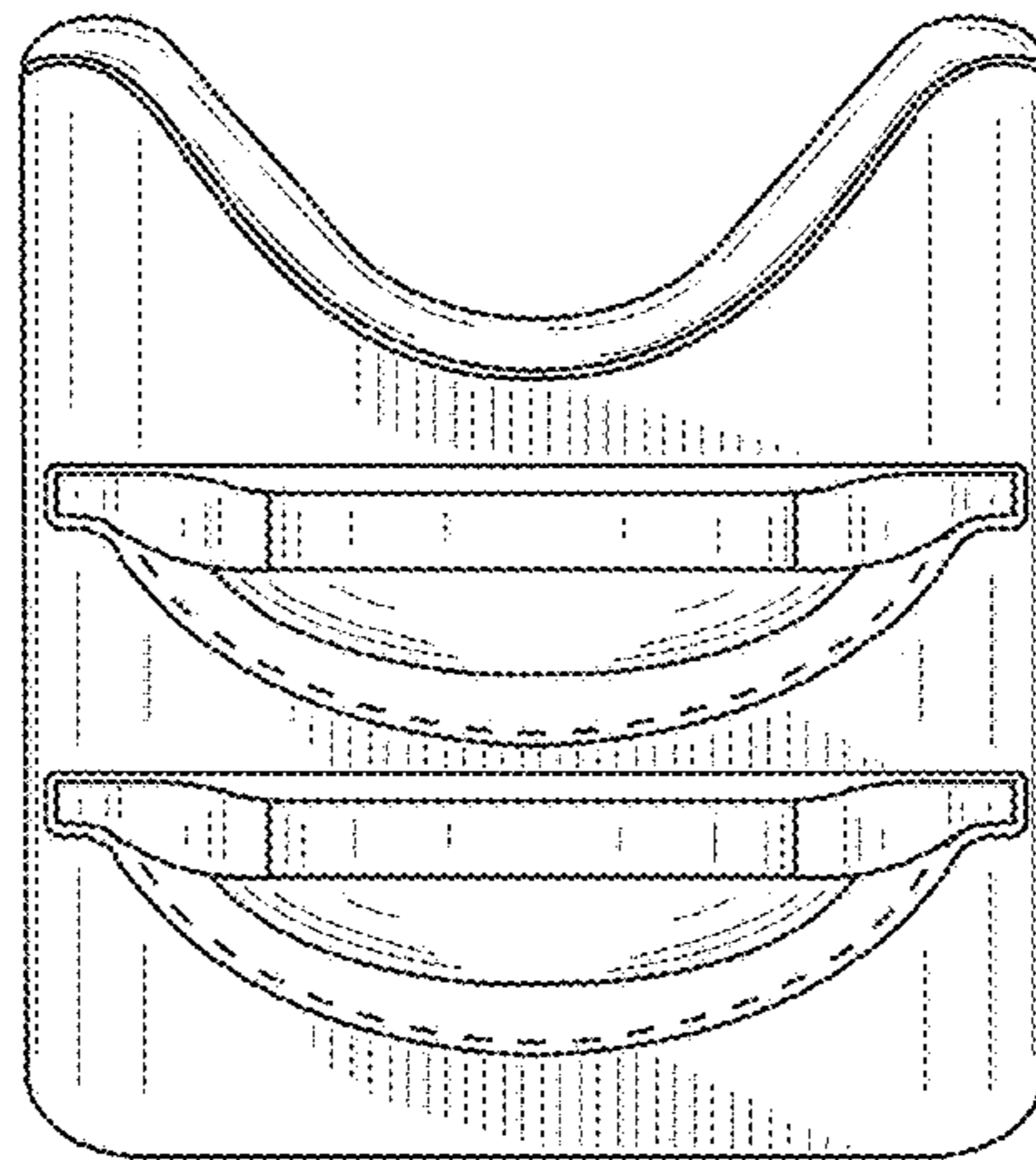


FIG. 2

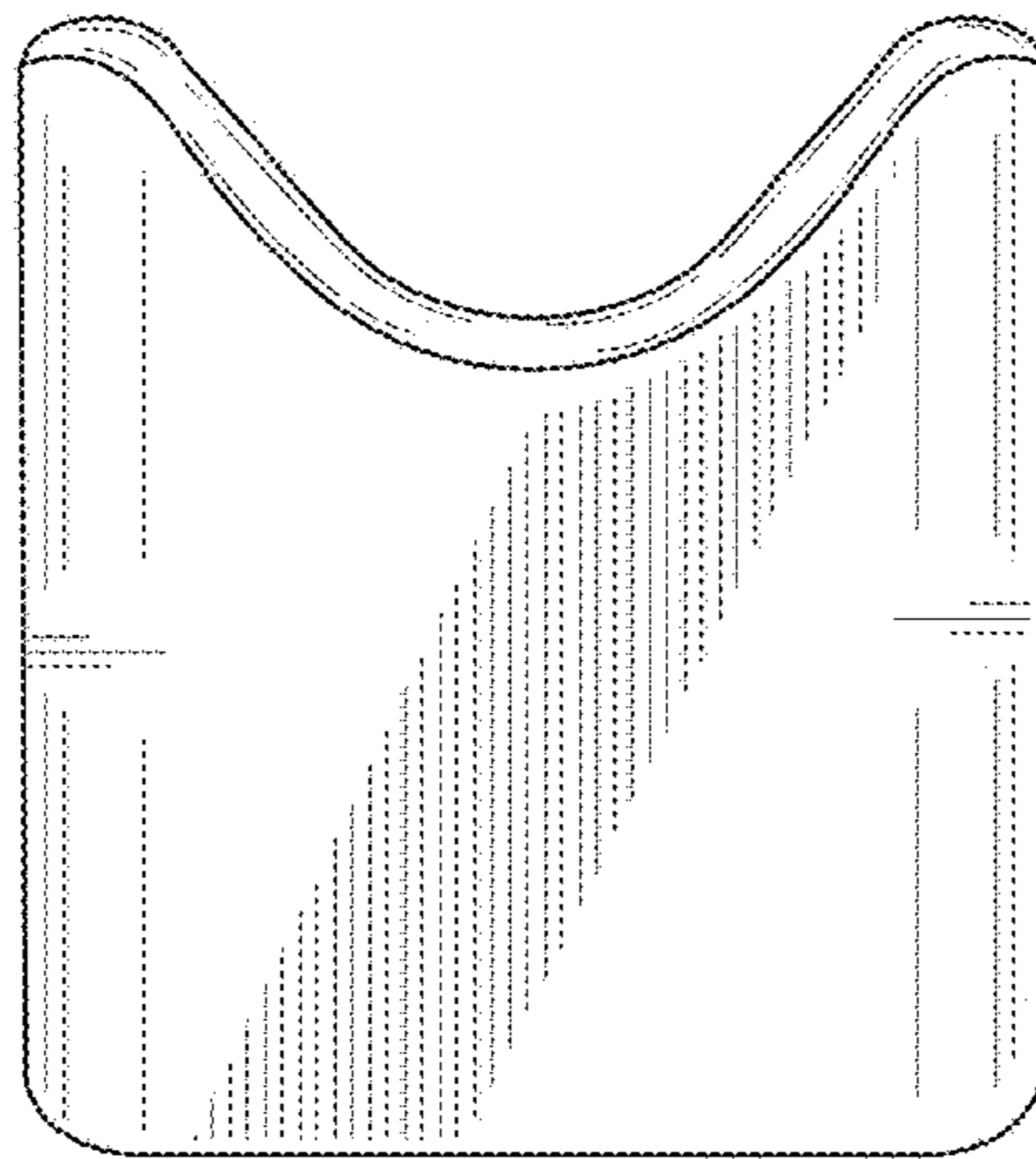


FIG. 3

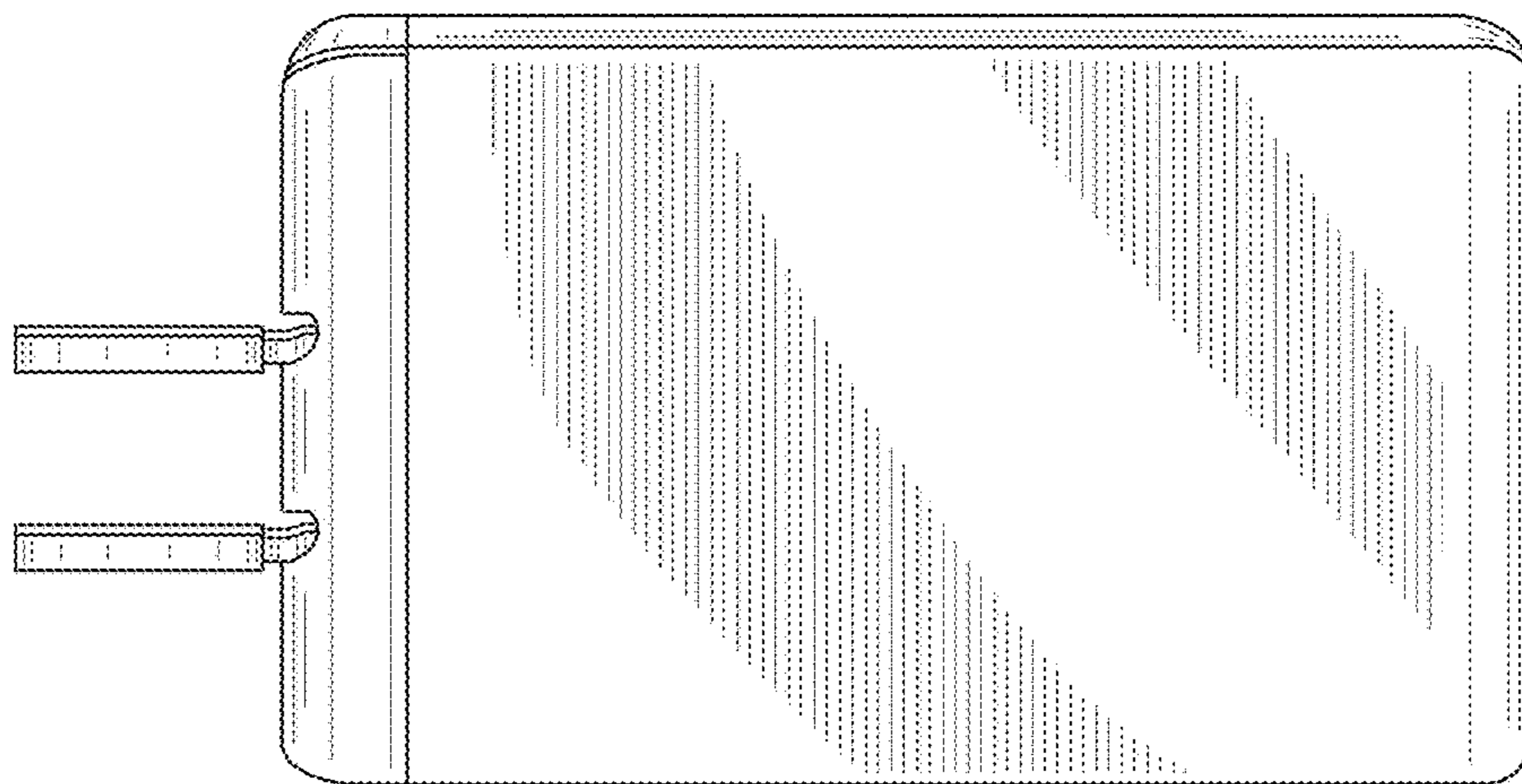


FIG. 4

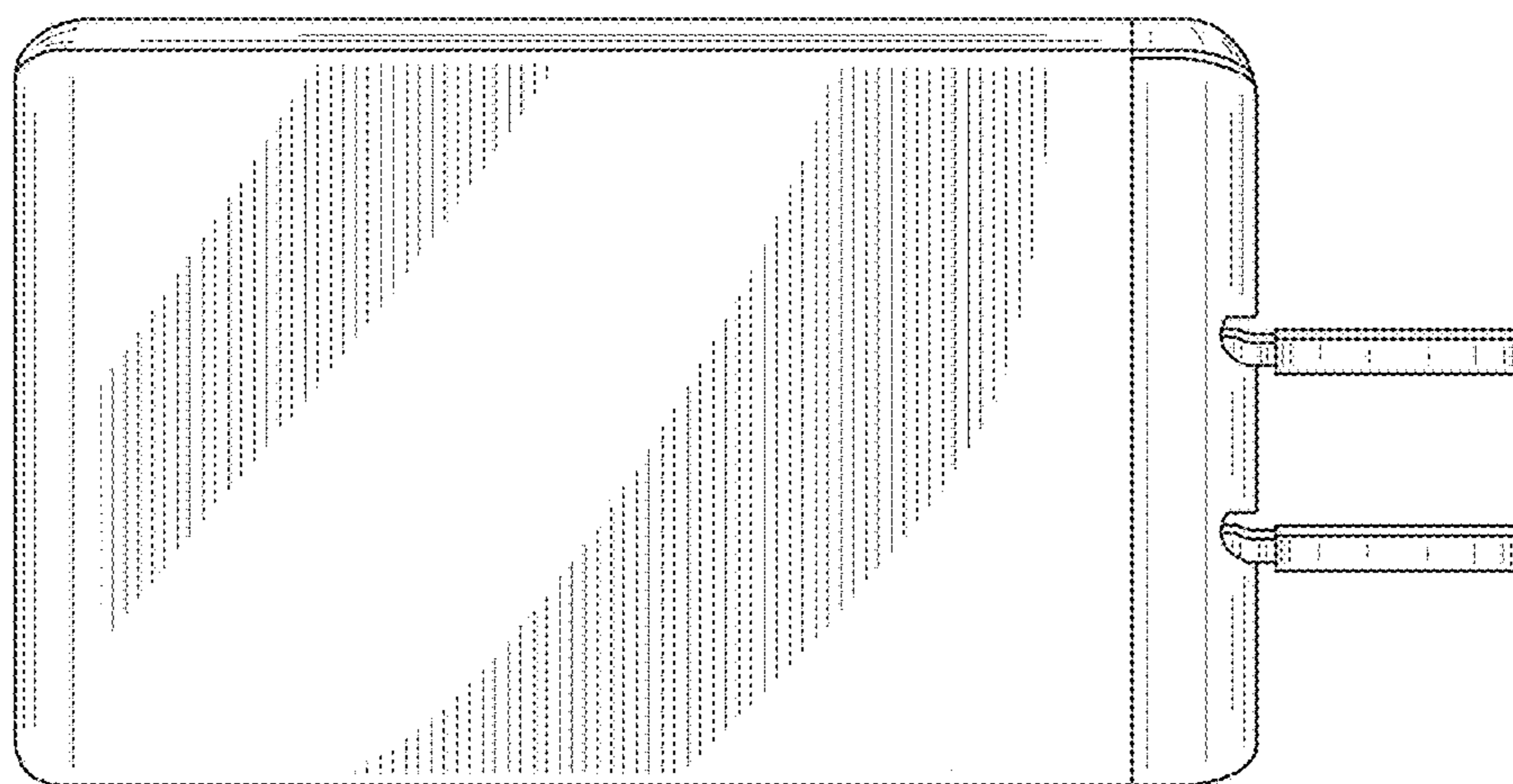


FIG. 5

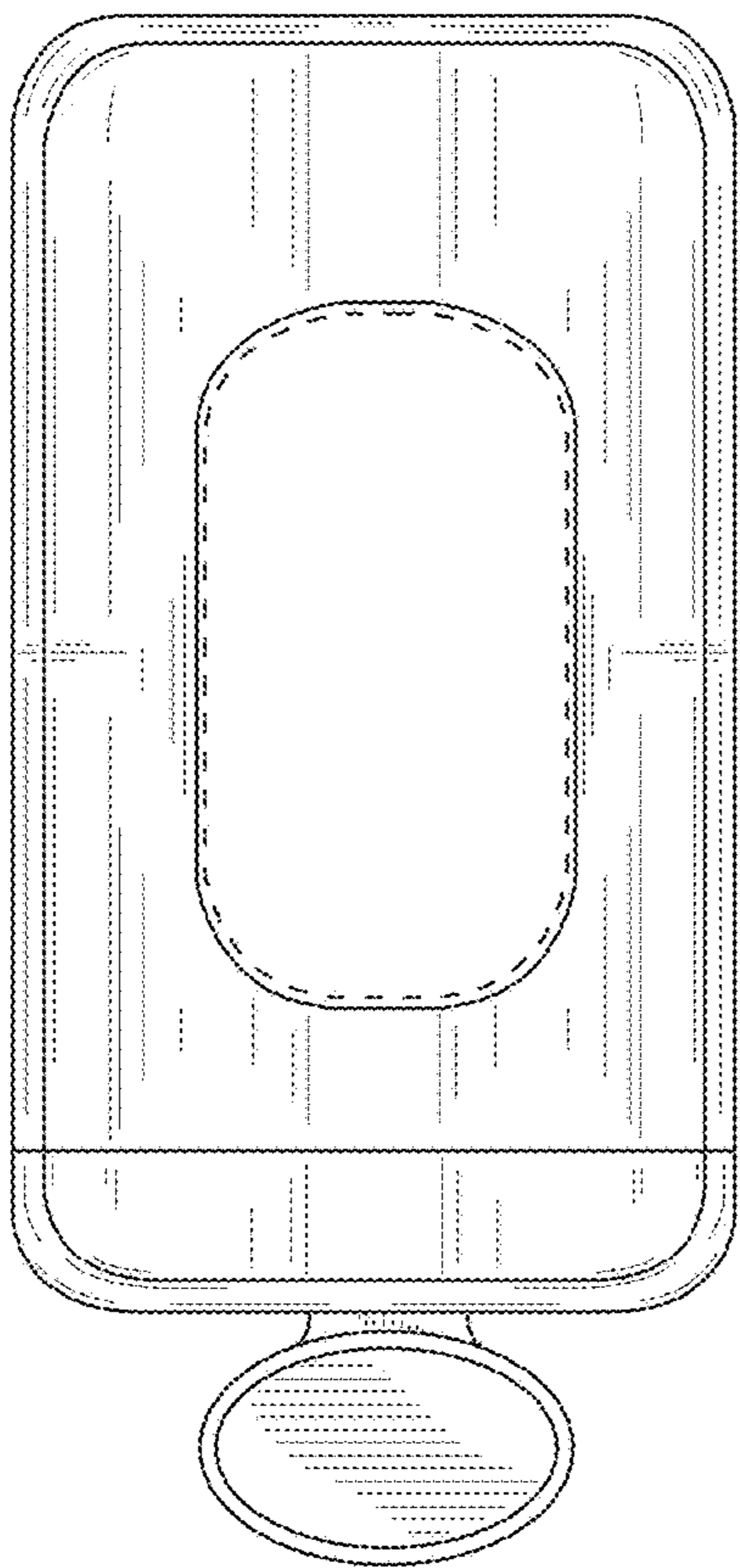


FIG. 6

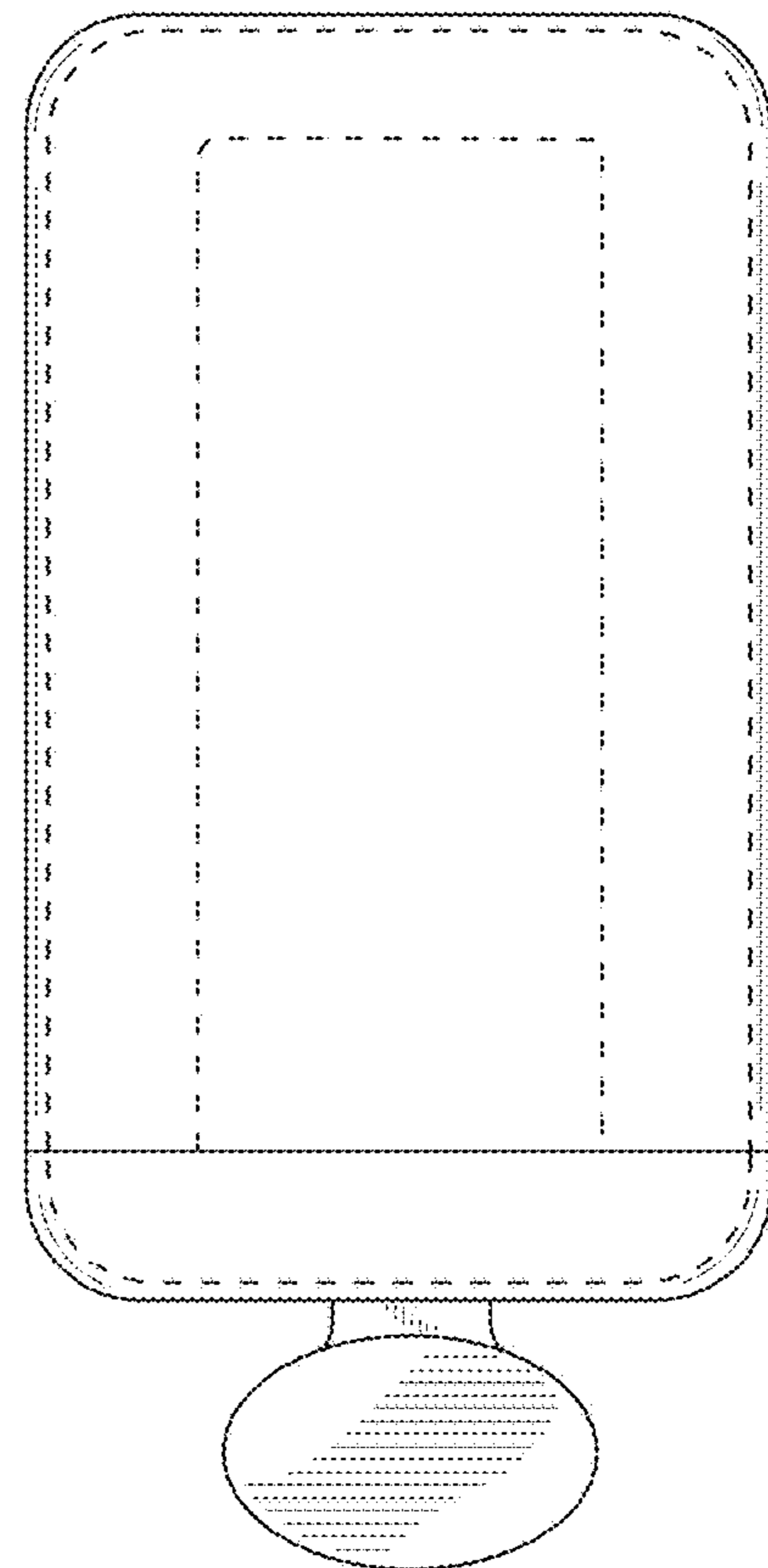


FIG. 7