



US00D853645S

(12) **United States Design Patent** (10) **Patent No.:** **US D853,645 S**  
**Stowers et al.** (45) **Date of Patent:** **\*\* Jul. 9, 2019**

(54) **SHAVING DEVICE**  
(71) Applicants: **David Stowers**, Morristown, NJ (US);  
**Anand Khubani**, Morristown, NJ (US)  
(72) Inventors: **David Stowers**, Morristown, NJ (US);  
**Anand Khubani**, Morristown, NJ (US)  
(73) Assignee: **IdeaVillage Products Corporation**,  
Wayne, NJ (US)

(\*\*) Term: **15 Years**

(21) Appl. No.: **29/651,187**

(22) Filed: **Feb. 5, 2018**

(51) **LOC (11) Cl.** ..... **28-03**

(52) **U.S. Cl.**  
USPC ..... **D28/50**

(58) **Field of Classification Search**  
USPC ..... D28/44, 44.1, 49-54  
CPC ..... B26B 19/00-107; B26B 19/12; B26B  
19/14-148; B26B 19/16-18; B26B  
19/20-265; B26B 19/28-36; B26B  
19/38-46

See application file for complete search history.

(56) **References Cited**

**U.S. PATENT DOCUMENTS**

2,279,682	A	4/1942	Jackson	
2,720,696	A	10/1955	Wadsworth	
D258,701	S	3/1981	McQueen	
D672,504	S *	12/2012	Lyles	D28/50
D693,060	S *	11/2013	Lyles	D28/50
8,726,528	B2	5/2014	Lyles	

D717,492	S *	11/2014	Kulshreshtha	D28/53
D717,493	S	11/2014	Kulshreshtha	
D761,586	S	7/2016	Kulshreshtha	
D803,480	S *	11/2017	Wong	D28/53
D808,077	S *	1/2018	Boulanger	D28/50
9,878,457	B2	1/2018	Kulshreshtha	
10,005,192	B2 *	6/2018	Kulshreshtha	B26B 19/3853
D828,957	S *	9/2018	Rosandick	D28/53
D828,958	S *	9/2018	Teteak	D28/53
2008/0072430	A1 *	3/2008	Cafaro	B26B 19/06 30/45
2016/0176060	A1	6/2016	Kulshreshtha	
2017/0106547	A1 *	4/2017	Lau	B26B 19/20

\* cited by examiner

*Primary Examiner* — Jennifer Rivard

(74) *Attorney, Agent, or Firm* — Dan DeLaRosa

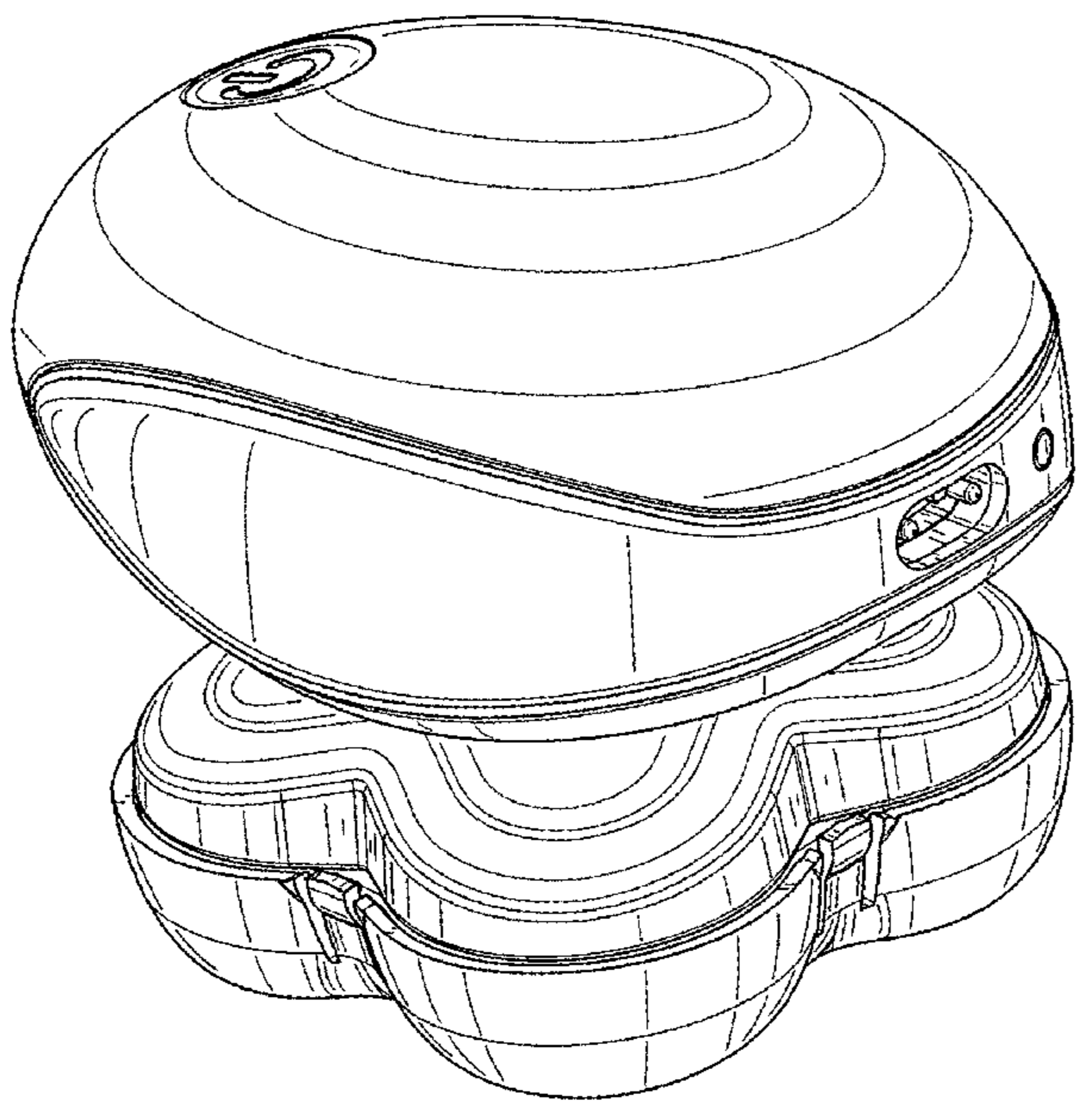
(57) **CLAIM**

The ornamental design for a shaving device, as shown and described.

**DESCRIPTION**

FIG. 1 is a front perspective view of a shaving device of the present invention showing my new design; FIG. 2 is a front side elevation view thereof; FIG. 3 is a back side elevation view thereof; FIG. 4 is a side elevation view thereof; FIG. 5 is another side elevation view thereof; FIG. 6 is a top plan view thereof; and, FIG. 7 is a bottom plan view thereof. The broken lines and the unshaded area therein illustrate a portion of the shaving device that form no part of the claimed design.

**1 Claim, 7 Drawing Sheets**



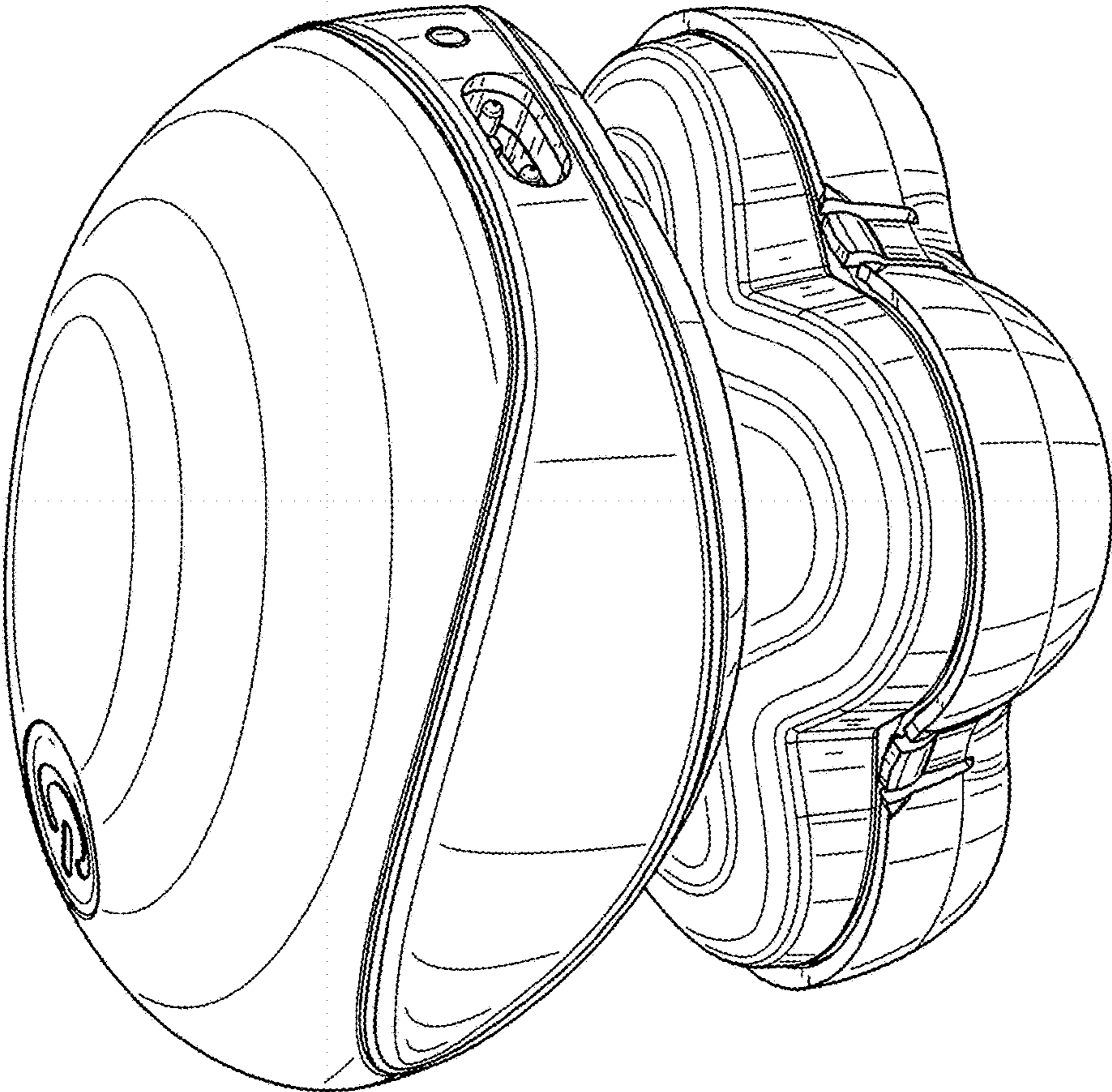


FIG. 1

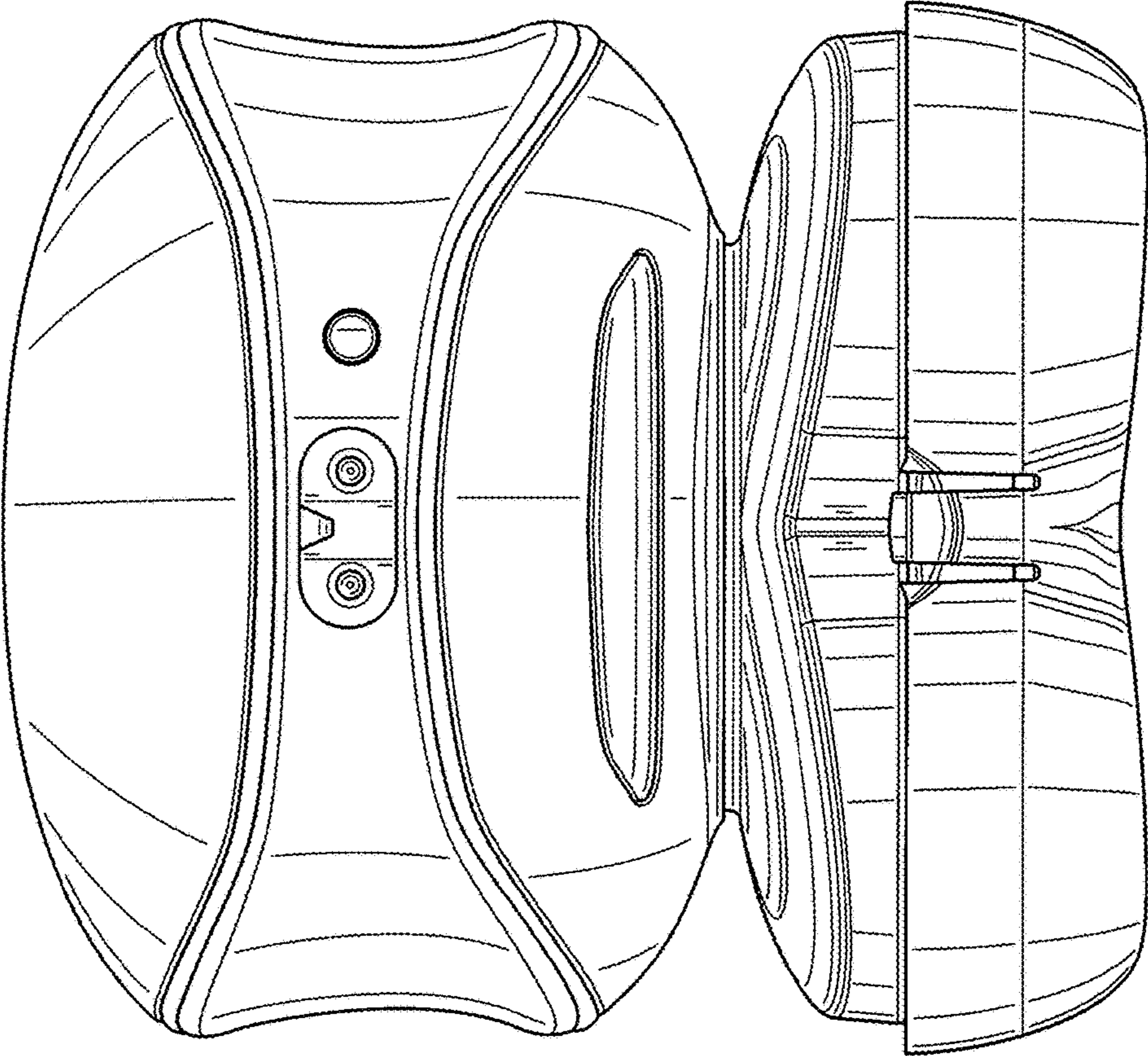


FIG. 2

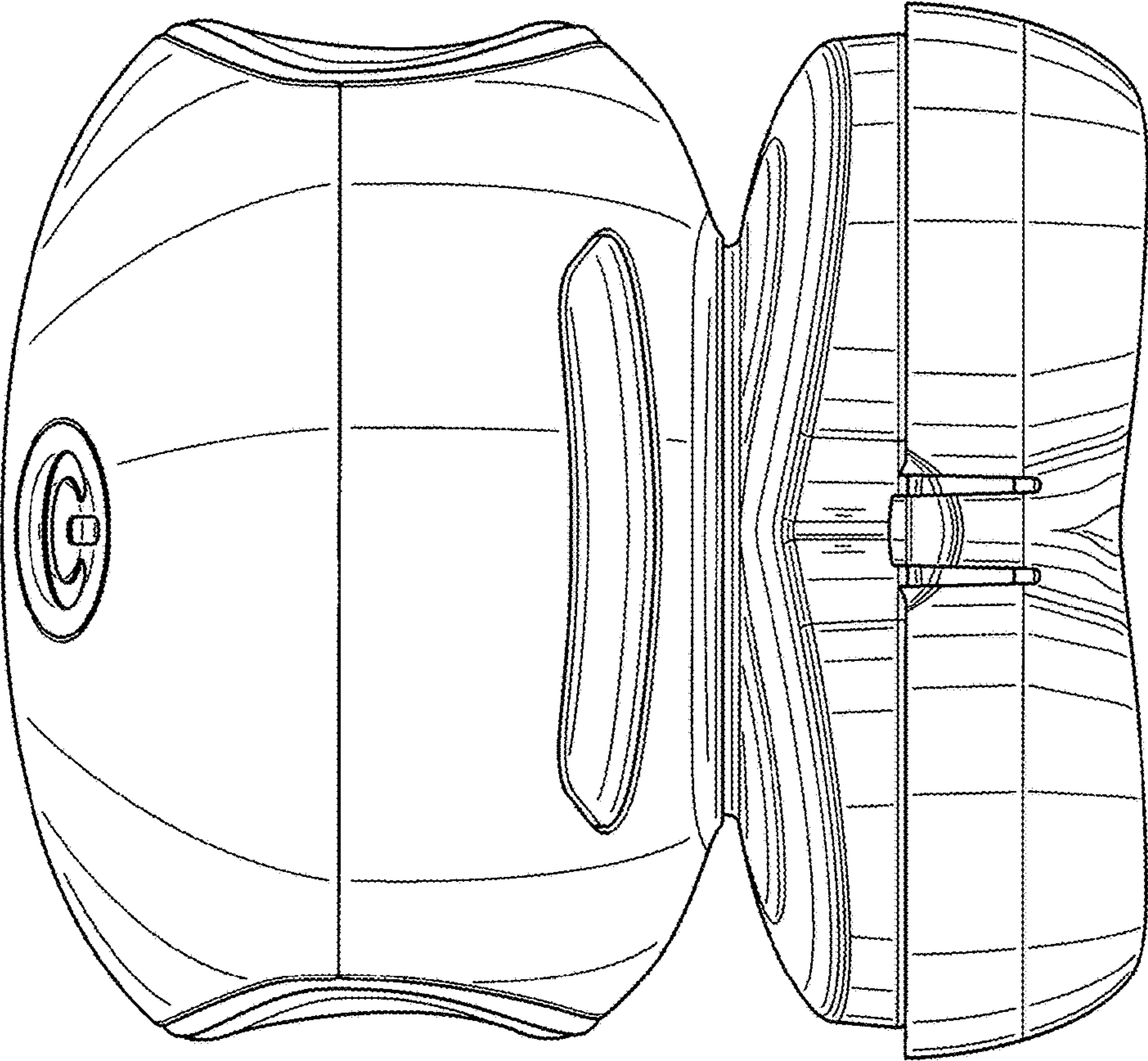


FIG. 3

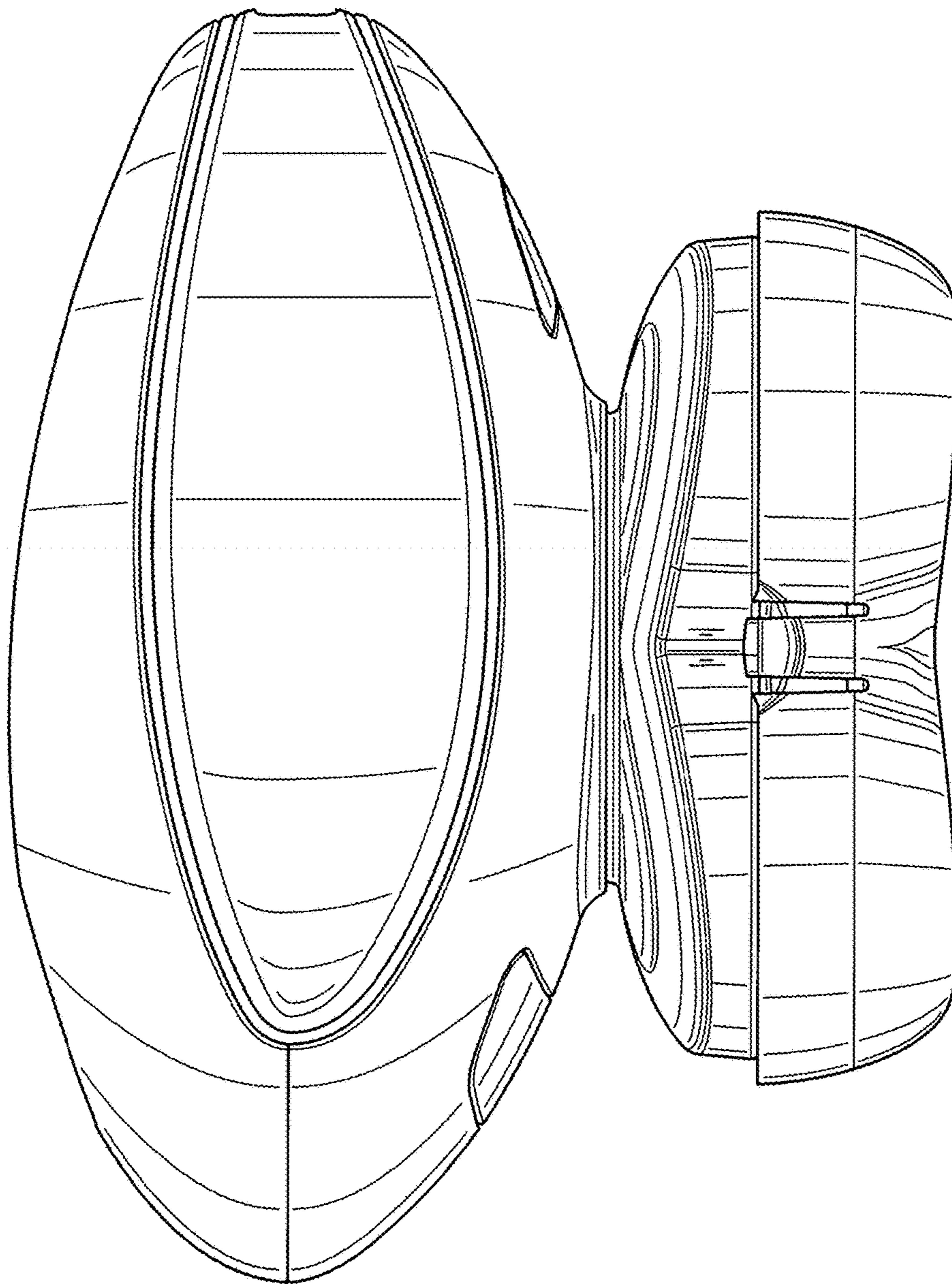


FIG. 4

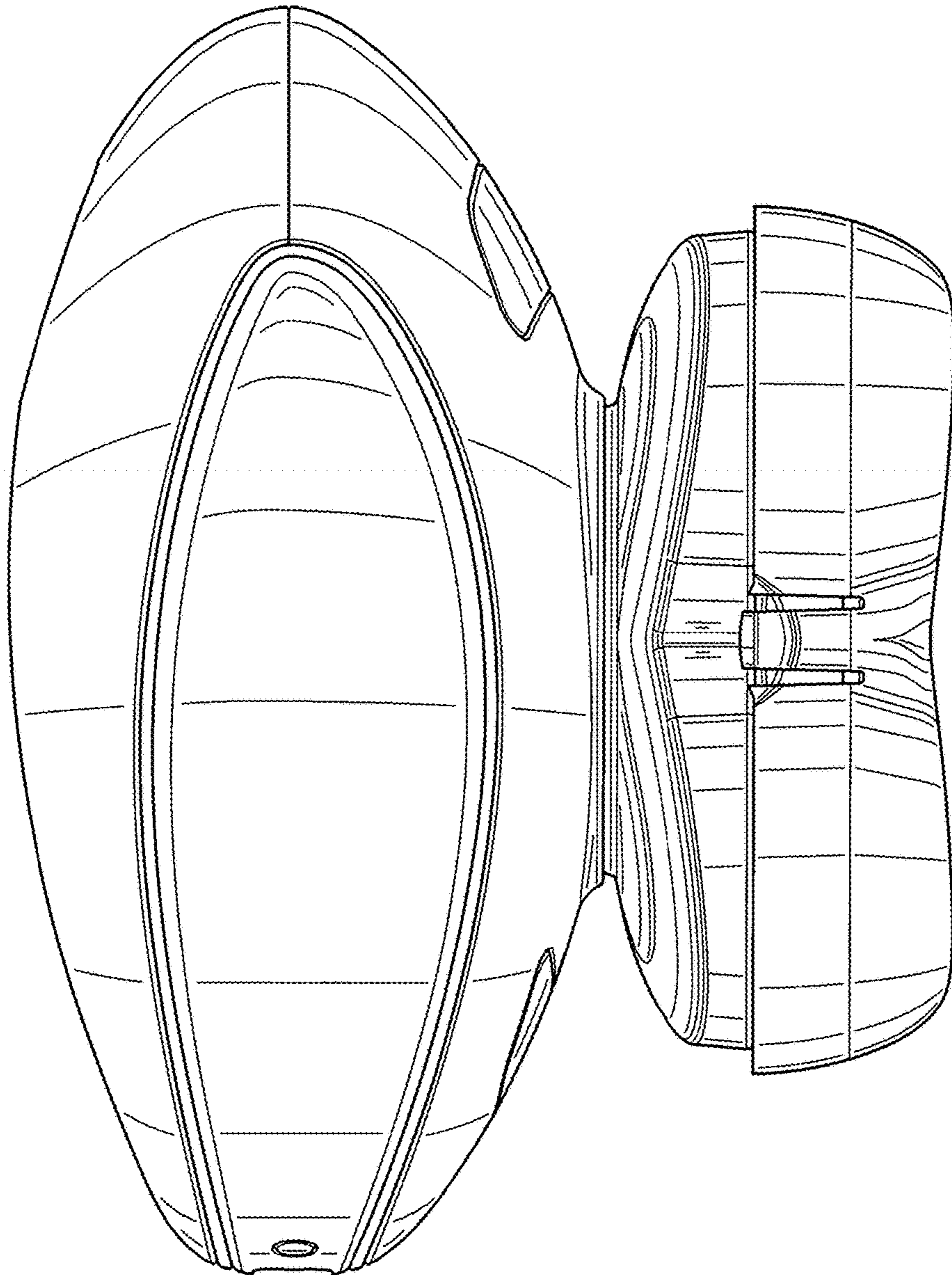


FIG. 5

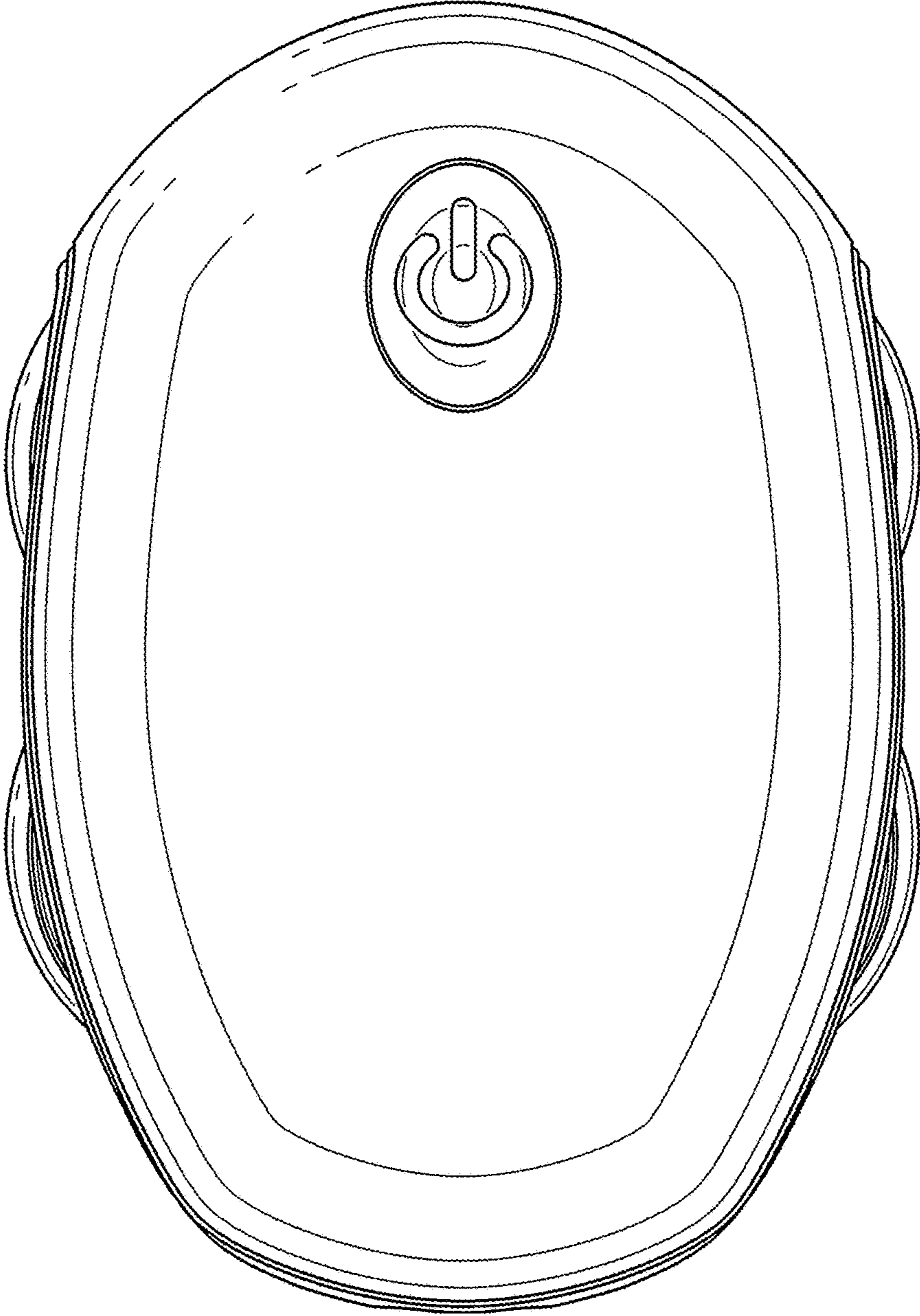


FIG. 6

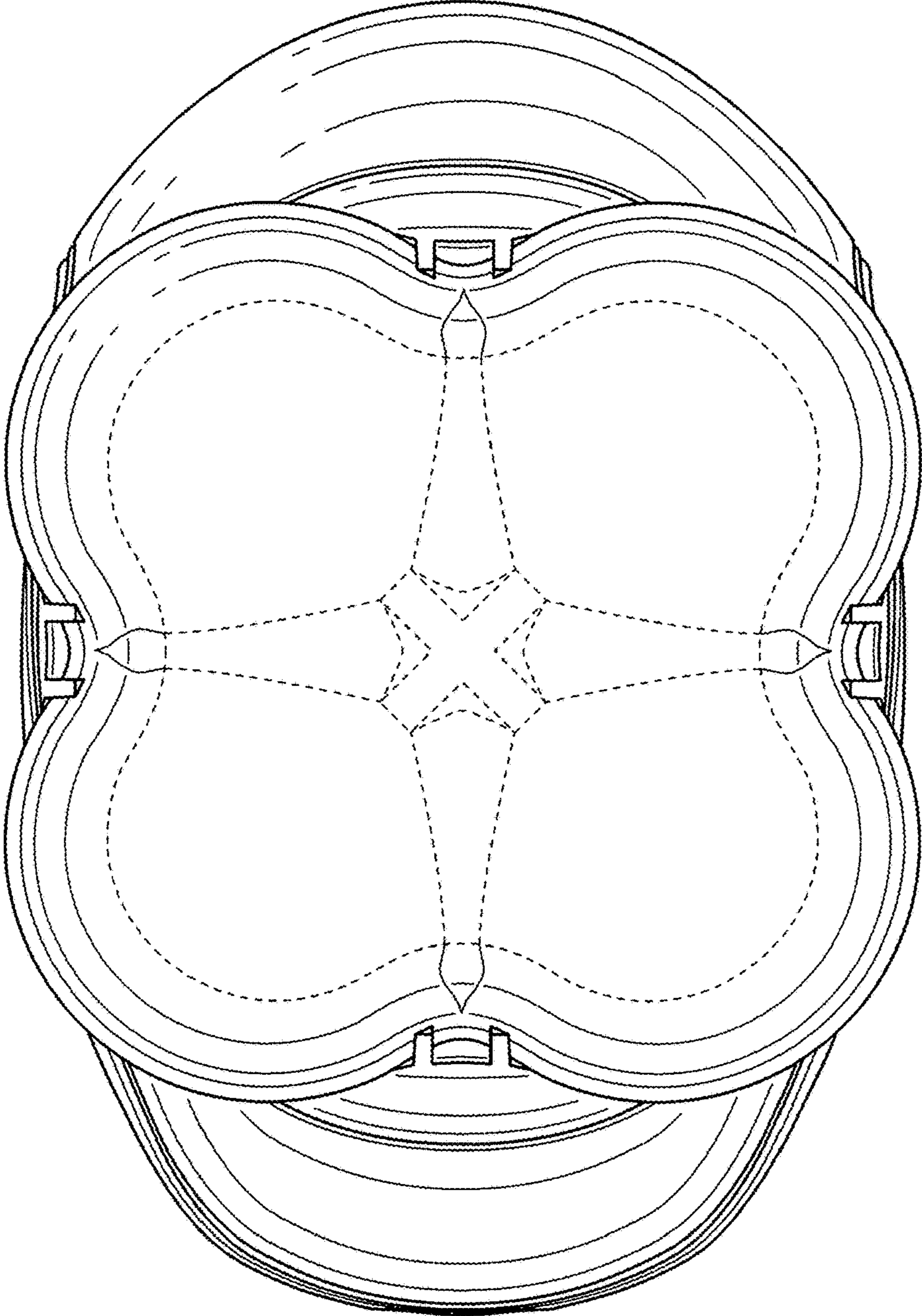


FIG. 7