



US00D853644S

(12) **United States Design Patent** (10) **Patent No.:** **US D853,644 S**
Stowers et al. (45) **Date of Patent:** **** Jul. 9, 2019**

(54) **SHAVING DEVICE**
(71) Applicants: **David Stowers**, Morristown, NJ (US);
Anand Khubani, Morristown, NJ (US)
(72) Inventors: **David Stowers**, Morristown, NJ (US);
Anand Khubani, Morristown, NJ (US)
(73) Assignee: **IdeaVillage Products Corporation**,
Wayne, NJ (US)

(**) Term: **15 Years**

(21) Appl. No.: **29/651,185**

(22) Filed: **Feb. 5, 2018**

(51) **LOC (11) Cl.** **28-03**

(52) **U.S. Cl.**
USPC **D28/50**

(58) **Field of Classification Search**
USPC D28/44, 44.1, 49-54
CPC B26B 19/00-107; B26B 19/12; B26B
19/14-148; B26B 19/16-18; B26B
19/20-265; B26B 19/28-36; B26B
19/38-46

See application file for complete search history.

(56) **References Cited**

U.S. PATENT DOCUMENTS

2,279,682 A 4/1942 Jackson
2,720,696 A 10/1955 Wadsworth
D258,701 S 3/1981 McQueen
D672,504 S * 12/2012 Lyles D28/50
D693,060 S * 11/2013 Lyles D28/50
8,726,528 B2 5/2014 Lyles

D717,492 S * 11/2014 Kulshreshtha D28/53
D717,493 S 11/2014 Kulshreshtha
D761,586 S 7/2016 Kulshreshtha
D803,480 S * 11/2017 Wong D28/53
D808,077 S * 1/2018 Boulanger D28/50
9,878,457 B2 1/2018 Kulshreshtha
10,005,192 B2 * 6/2018 Kulshreshtha B26B 19/3853
D828,957 S * 9/2018 Rosandick D28/53
D828,958 S * 9/2018 Teteak D28/53
2008/0072430 A1 * 3/2008 Cafaro B26B 19/06
30/45
2016/0176060 A1 6/2016 Kulshreshtha
2017/0106547 A1 * 4/2017 Lau B26B 19/20

* cited by examiner

Primary Examiner — Jennifer Rivard

(74) *Attorney, Agent, or Firm* — Dan DeLaRosa

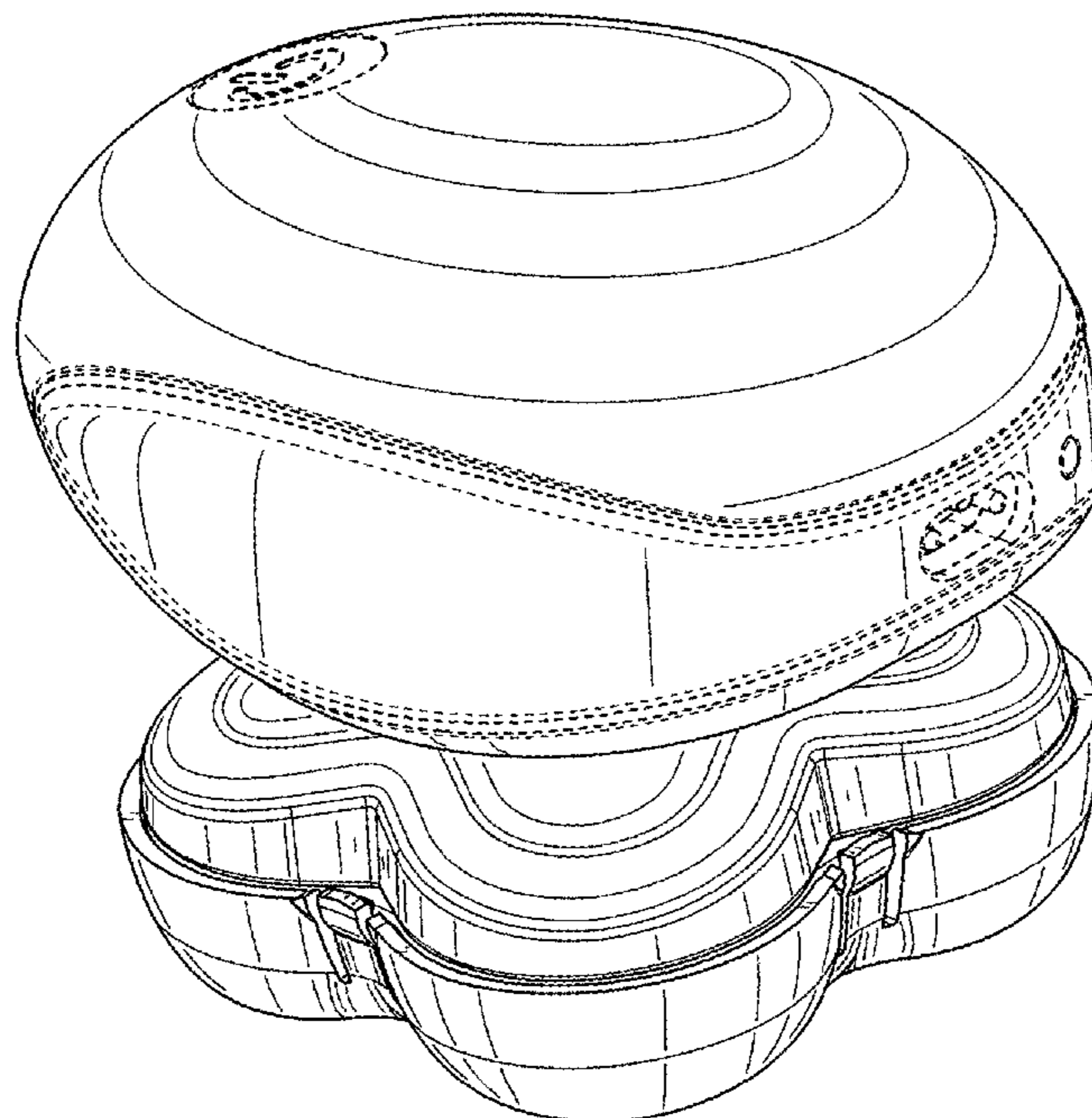
(57) **CLAIM**

The ornamental design for a shaving device, as shown and described.

DESCRIPTION

FIG. 1 is a front perspective view of a shaving device of the present invention showing my new design; FIG. 2 is a front side elevation view thereof; FIG. 3 is a back side elevation view thereof; FIG. 4 is a side elevation view thereof; FIG. 5 is another side elevation view thereof; FIG. 6 is a top plan view thereof; and, FIG. 7 is a bottom plan view thereof. The broken lines and the unshaded areas therein illustrate portions of the shaving device that form no part of the claimed design.

1 Claim, 7 Drawing Sheets



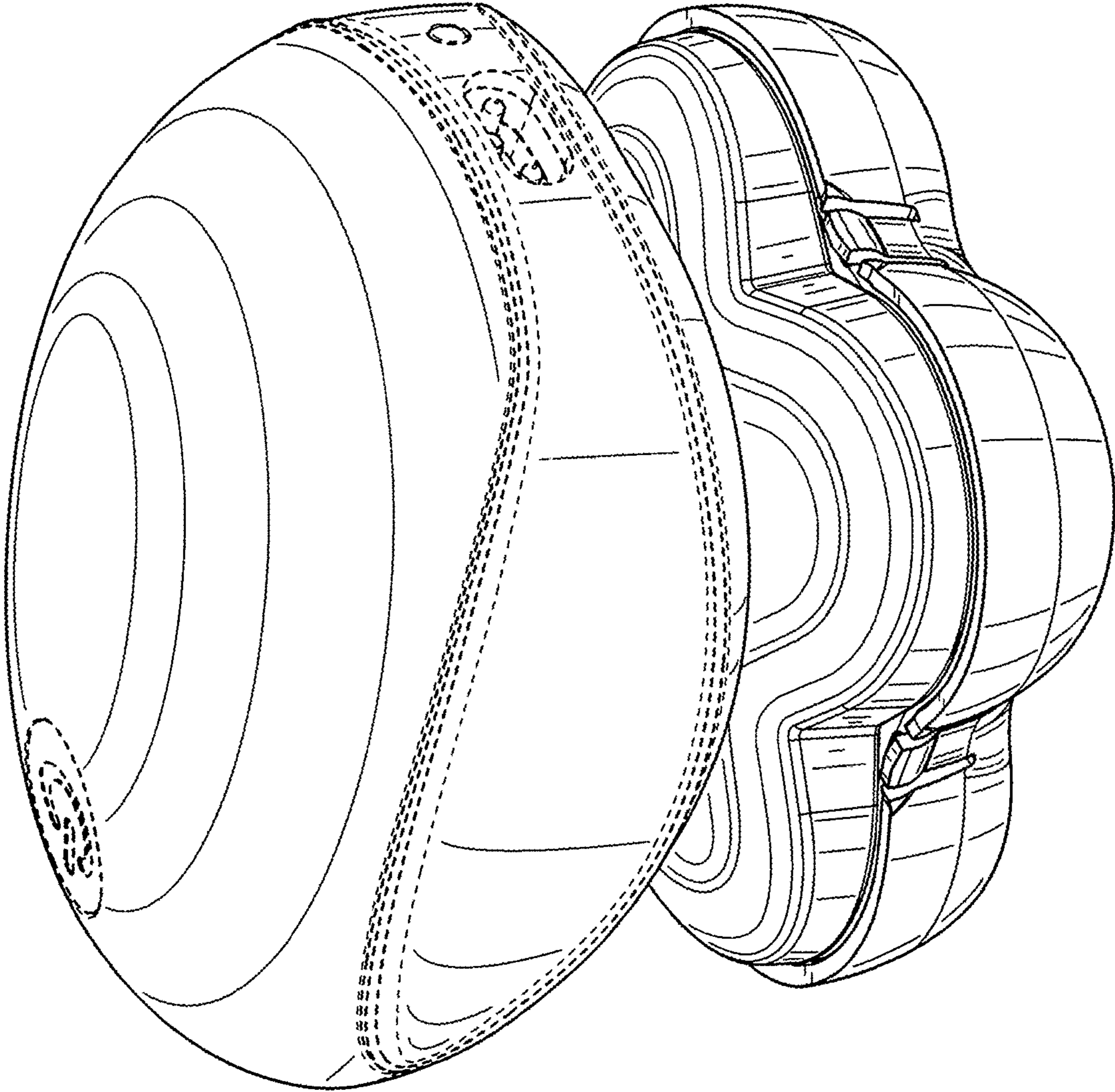


FIG. 1

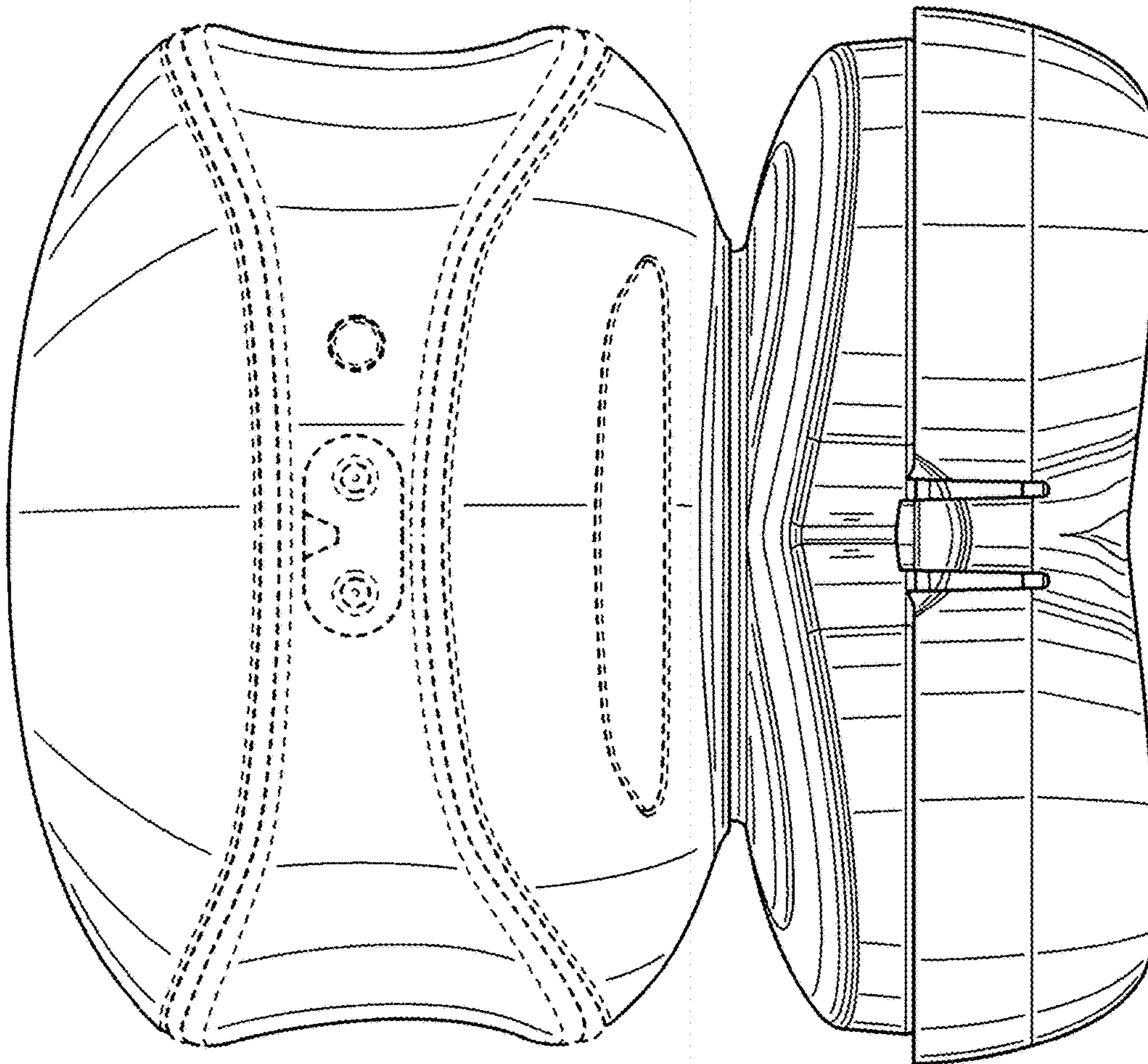


FIG. 2

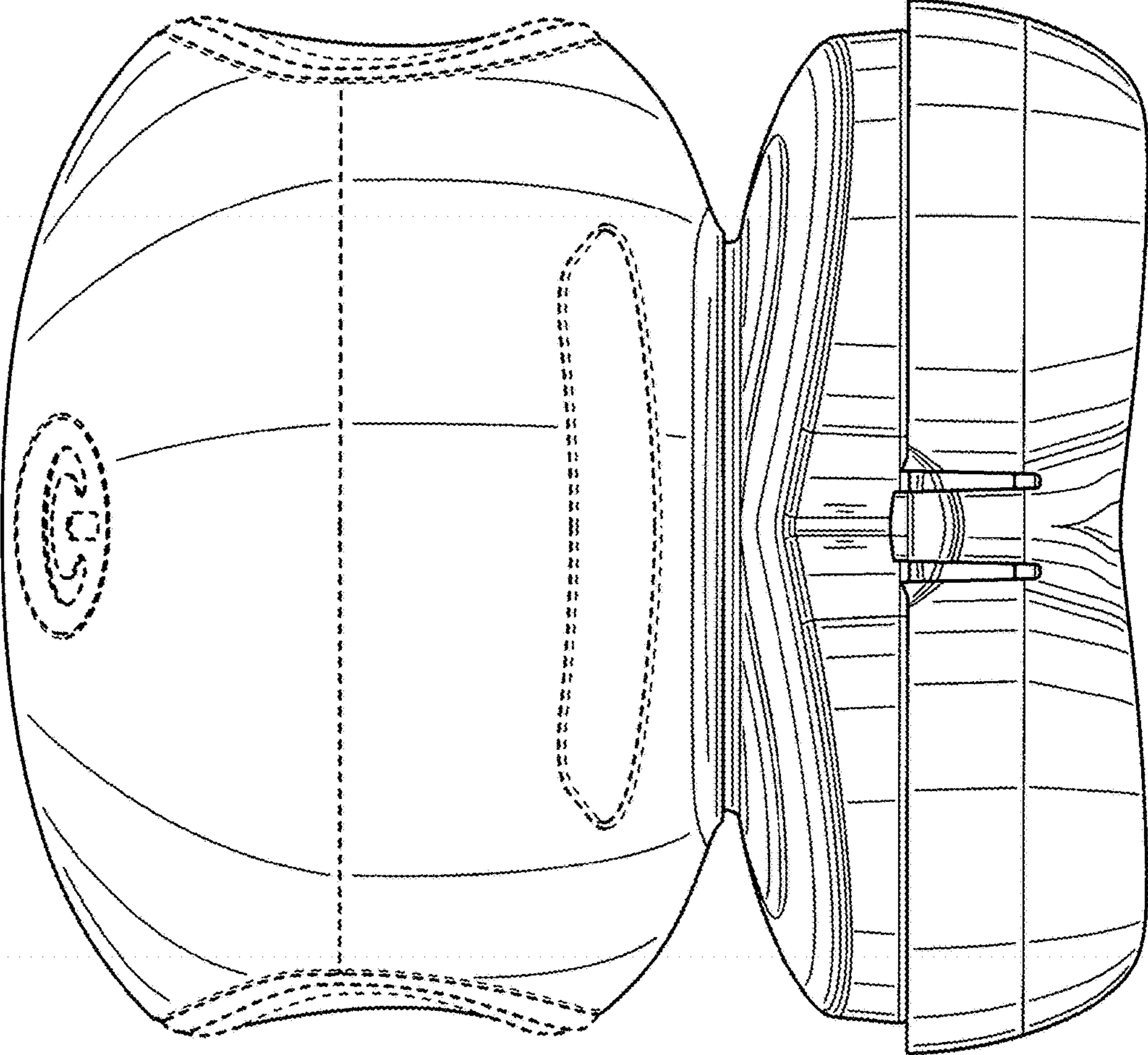


FIG. 3

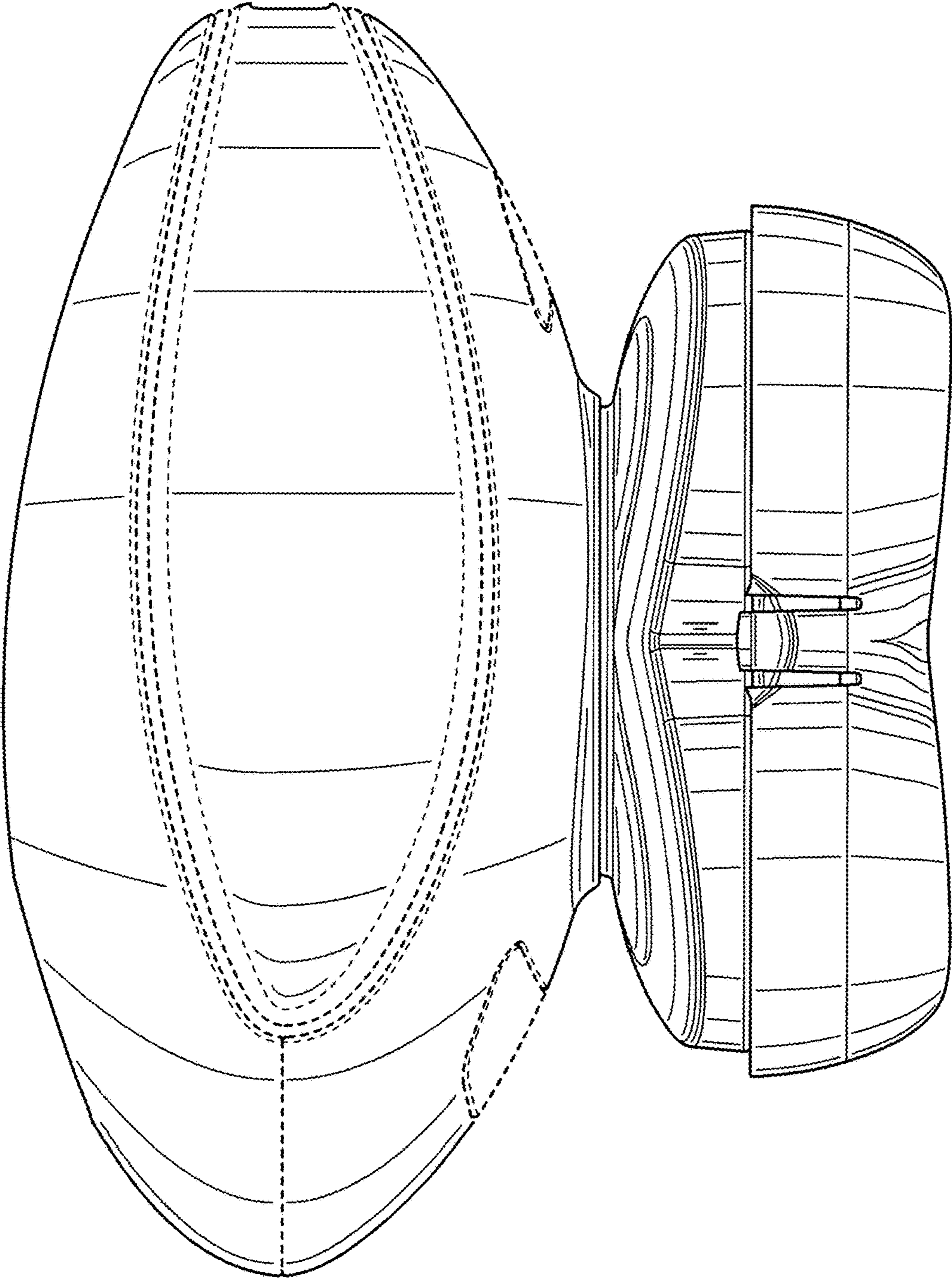


FIG. 4

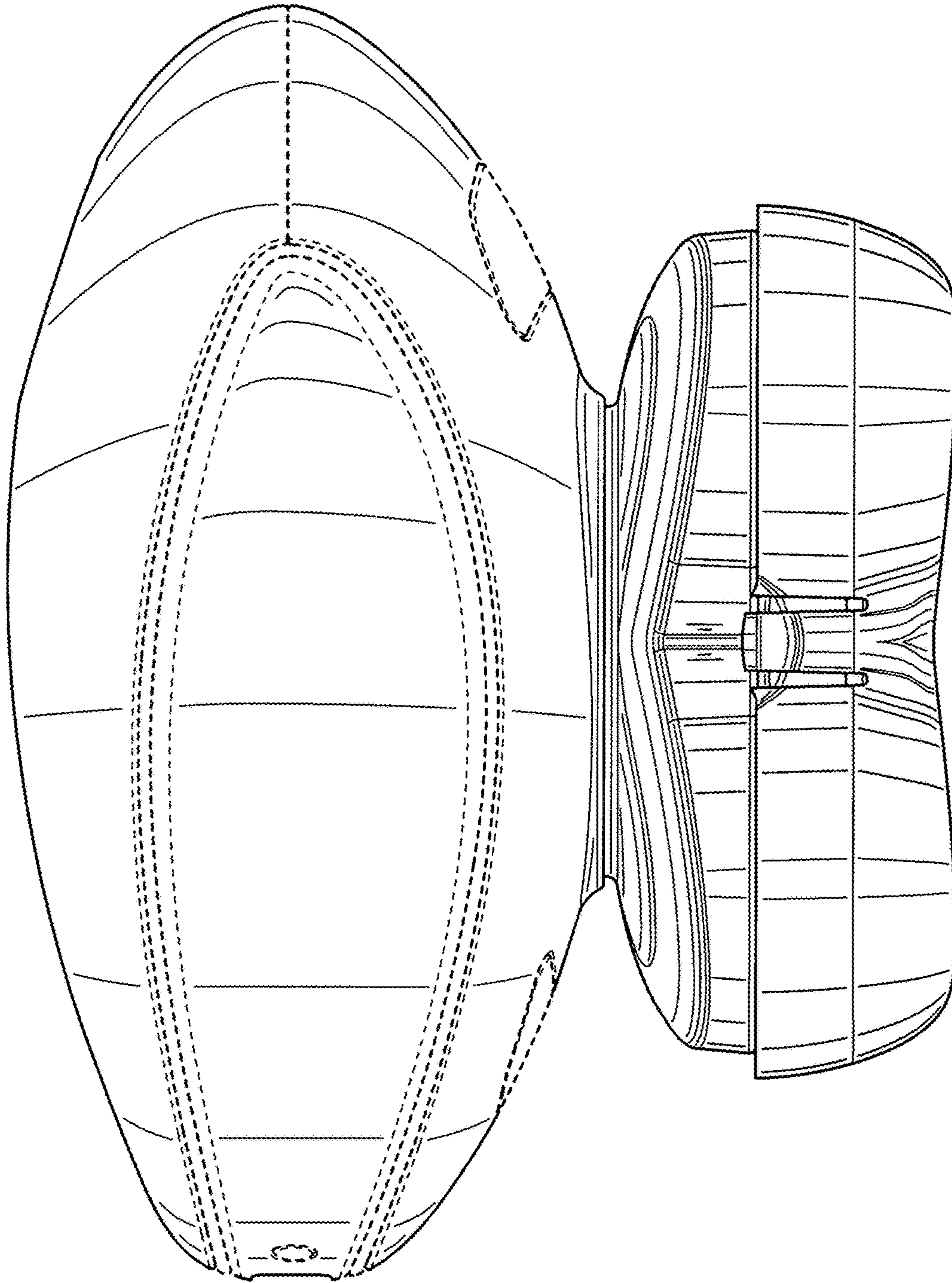


FIG. 5

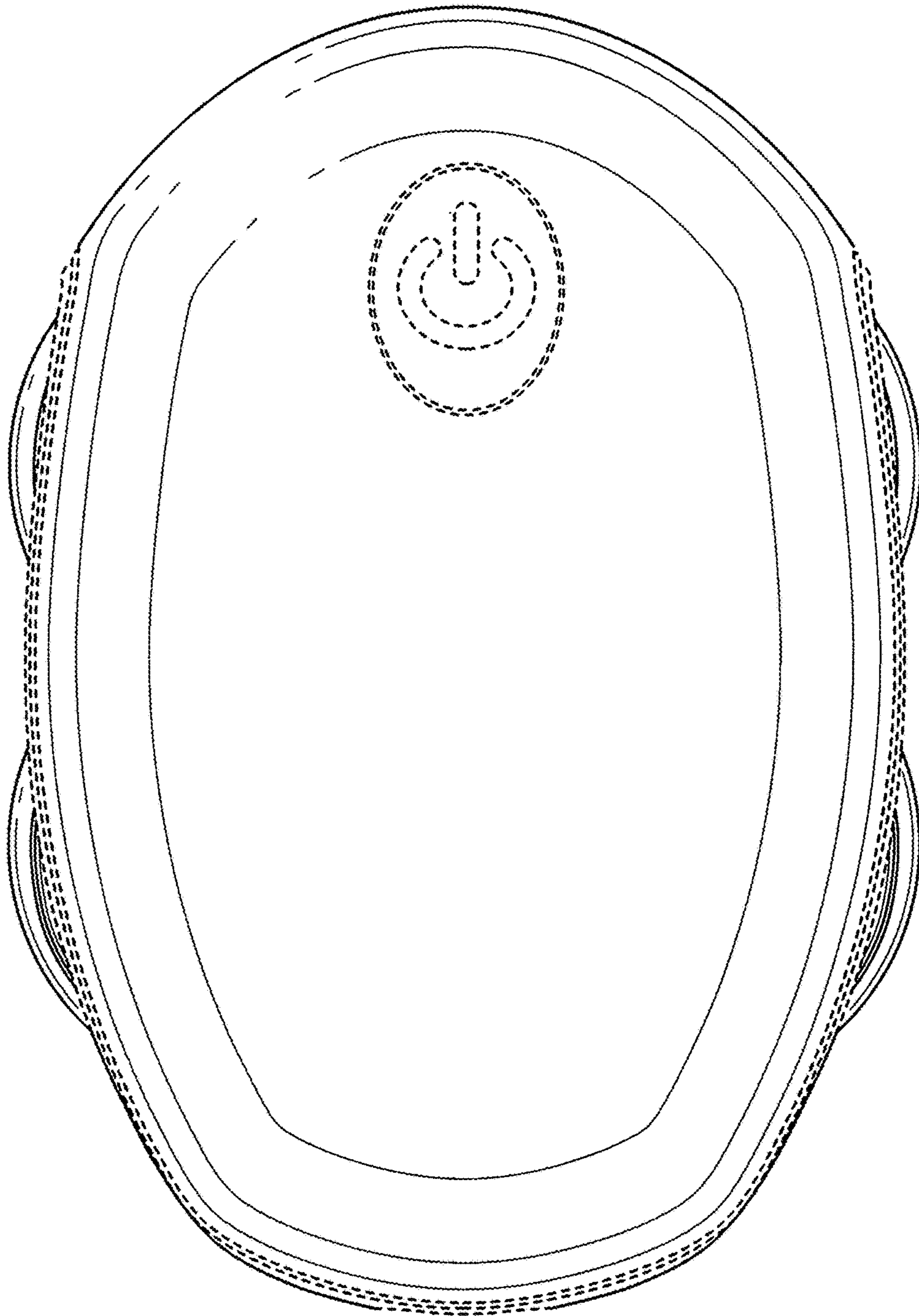


FIG. 6

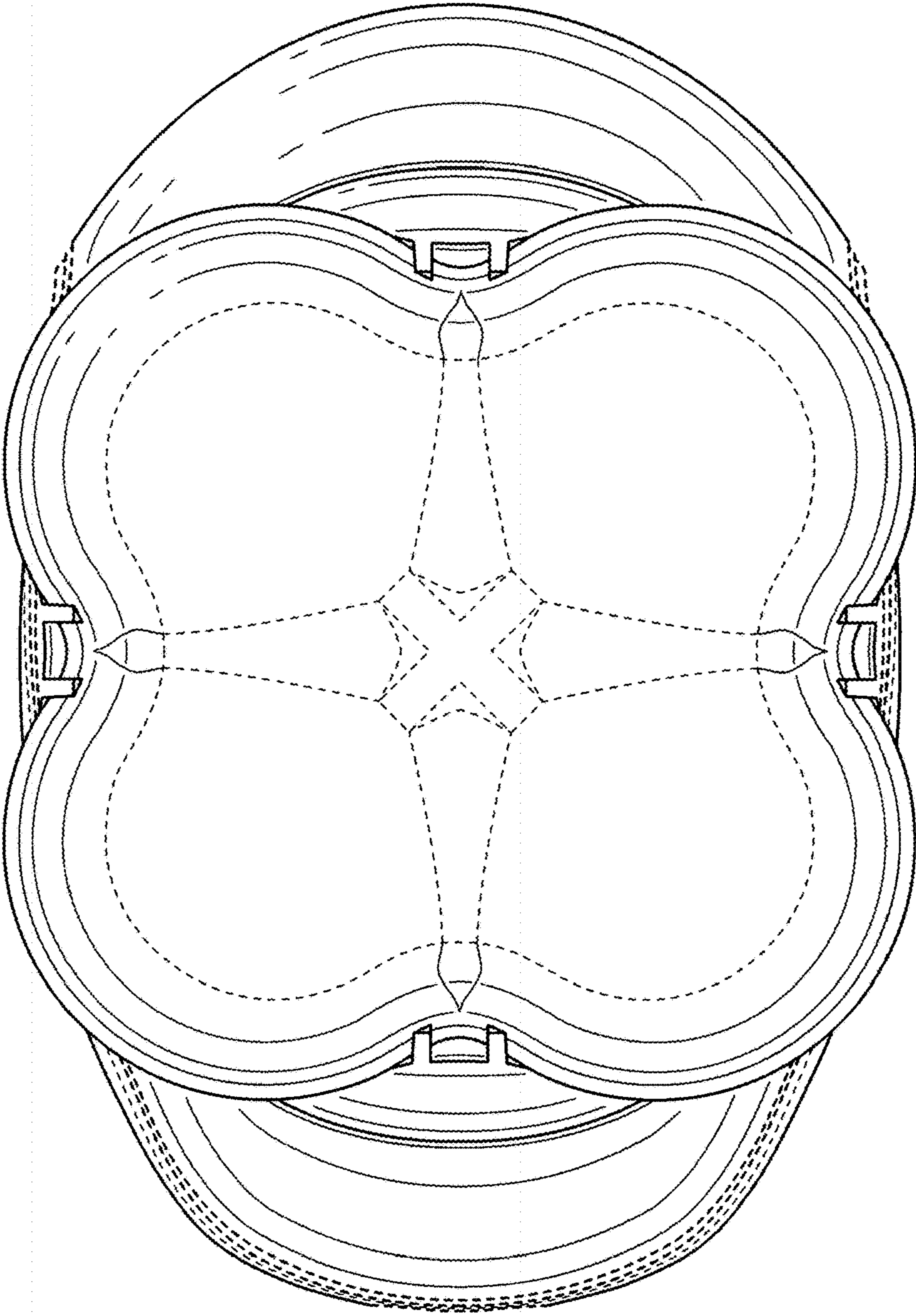


FIG. 7