



US00D853643S

(12) **United States Design Patent**  
**Kim**

(10) **Patent No.:** **US D853,643 S**

(45) **Date of Patent:** **\*\* Jul. 9, 2019**

(54) **FLAT IRON**

(71) Applicant: **Hyundai Tech Co., Ltd**, Incheon (KR)

(72) Inventor: **Yong Kun Kim**, Incheon (KR)

(73) Assignee: **HYUNDAI TECH CO., LTD**, Incheon (KR)

(\*\*) Term: **15 Years**

(21) Appl. No.: **29/631,555**

(22) Filed: **Dec. 29, 2017**

(30) **Foreign Application Priority Data**

Sep. 12, 2017 (KR) ..... 30-2017-0042624

(51) **LOC (11) Cl.** ..... **28-03**

(52) **U.S. Cl.**  
USPC ..... **D28/35**

(58) **Field of Classification Search**

USPC ..... D28/35-38

CPC ... A45D 2/12; A45D 2/14; A45D 2/36-2/367;  
A45D 2/001-2/002; A45D 2/06; A45D  
2/40; A45D 1/00; A45D 1/02-1/04; A45D  
1/06; A45D 1/10; A45D 1/16; A45D 1/28

See application file for complete search history.

(56) **References Cited**

**U.S. PATENT DOCUMENTS**

D485,011 S \* 1/2004 Nam ..... D28/35  
D567,440 S \* 4/2008 Migliori ..... D28/35  
D575,453 S \* 8/2008 Overend ..... D28/35  
D620,195 S \* 7/2010 Overend ..... D28/35

D627,514 S \* 11/2010 Kim ..... D28/35  
D627,924 S \* 11/2010 Lee ..... D28/35  
D627,925 S \* 11/2010 Nenadich ..... D28/35  
D629,156 S \* 12/2010 Kim ..... D28/35  
D645,614 S \* 9/2011 Kim ..... D28/35  
D650,130 S \* 12/2011 Hein ..... D28/35  
D716,497 S \* 10/2014 Renault ..... D28/35  
D816,902 S \* 5/2018 Delassus ..... D28/35

\* cited by examiner

*Primary Examiner* — Jennifer Rivard

(74) *Attorney, Agent, or Firm* — Kile Park Reed & Houtteman PLLC

(57) **CLAIM**

I claim, the ornamental design for a flat iron, as shown and described.

**DESCRIPTION**

FIG. 1 is a top and front perspective view of a flat iron, showing my new design;

FIG. 2 is a front view thereof;

FIG. 3 is a rear view thereof;

FIG. 4 is a left side view thereof;

FIG. 5 is a right side view thereof;

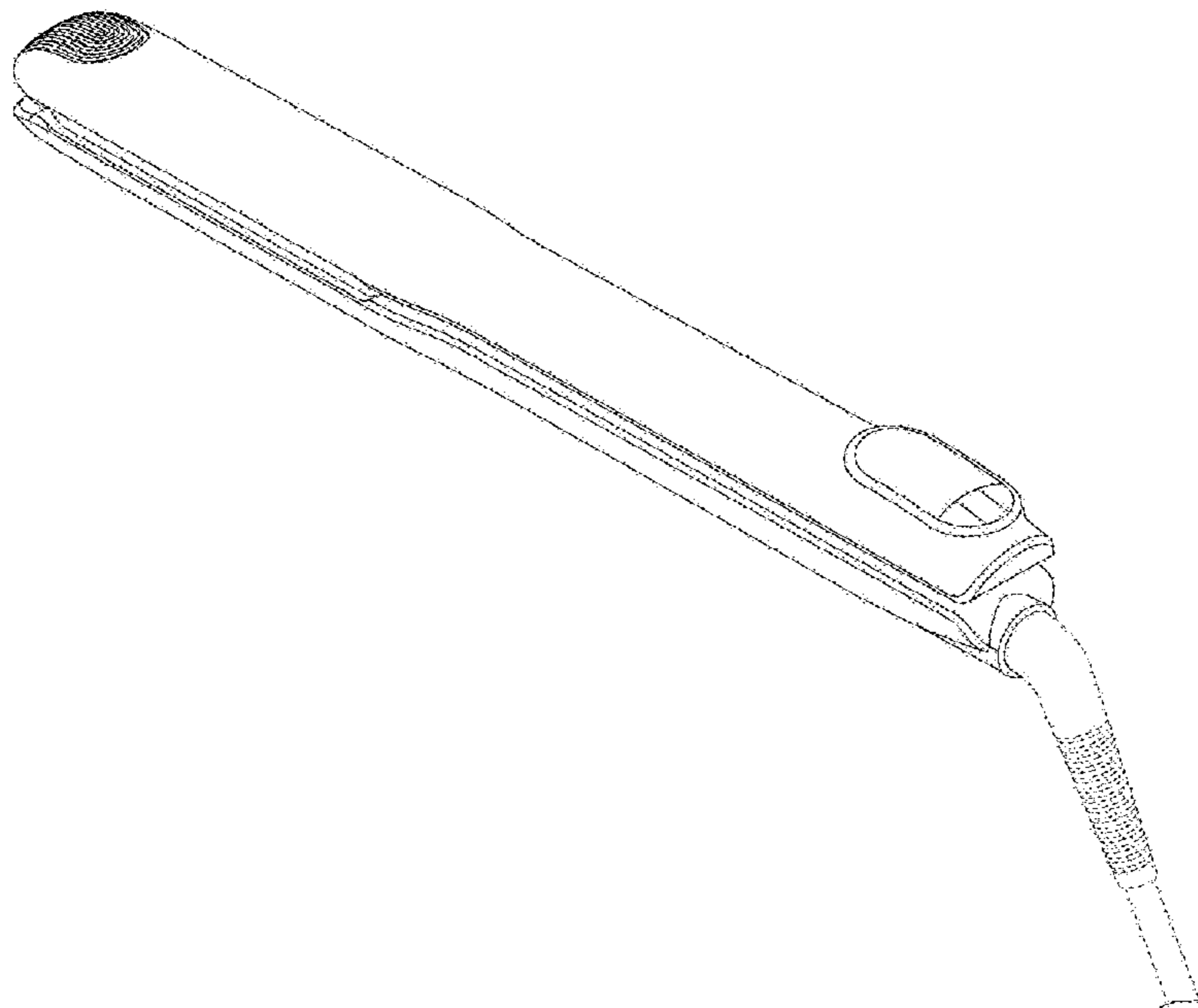
FIG. 6 is a top view thereof;

FIG. 7 is a bottom view thereof; and,

FIG. 8 is a perspective view of the flat iron shown in a position of use coupled with an electric cord.

The broken lines in FIG. 8 are shown for the purpose of illustrating parts of the electric cord that form no part of the claim.

**1 Claim, 8 Drawing Sheets**



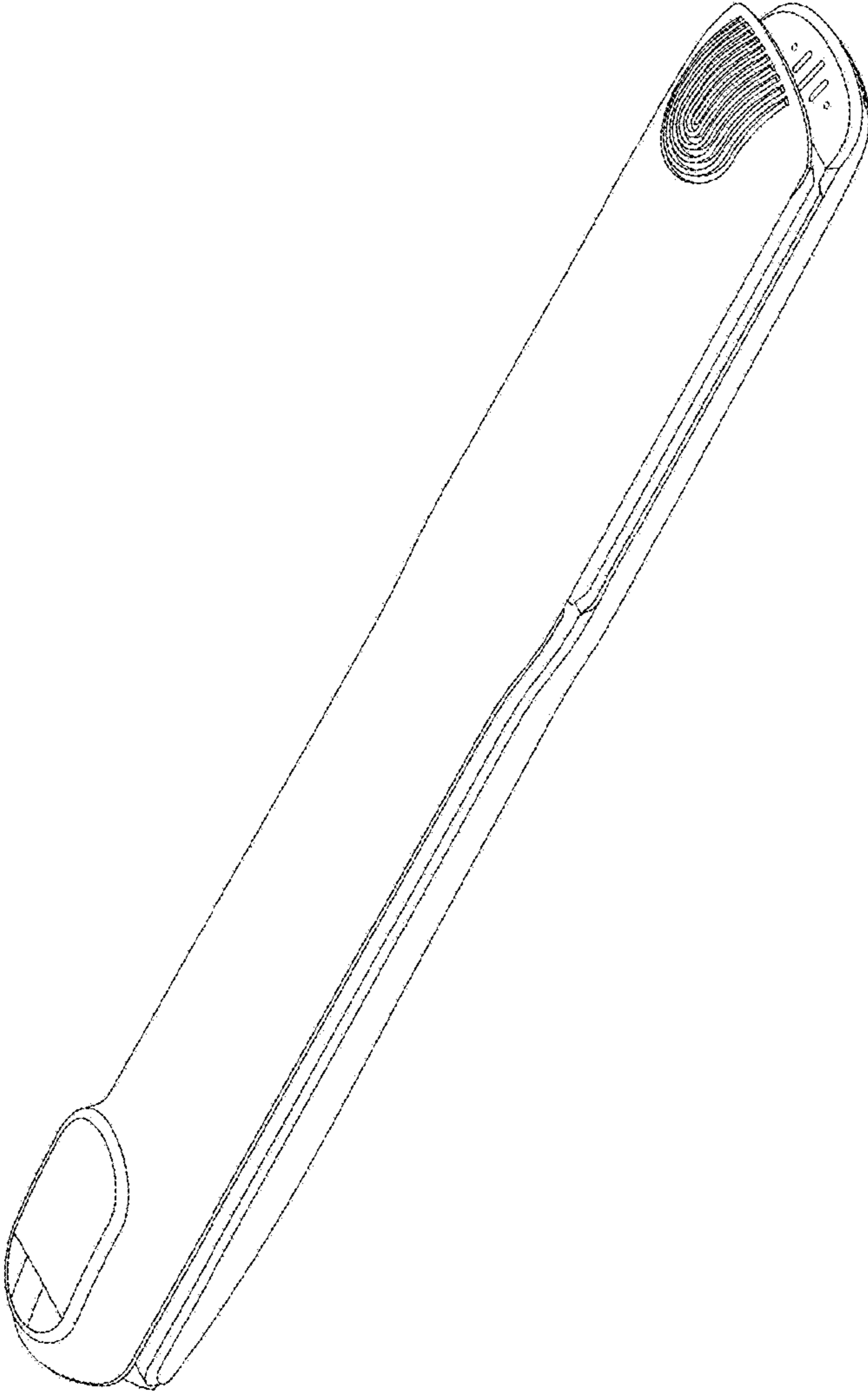


FIG. 1

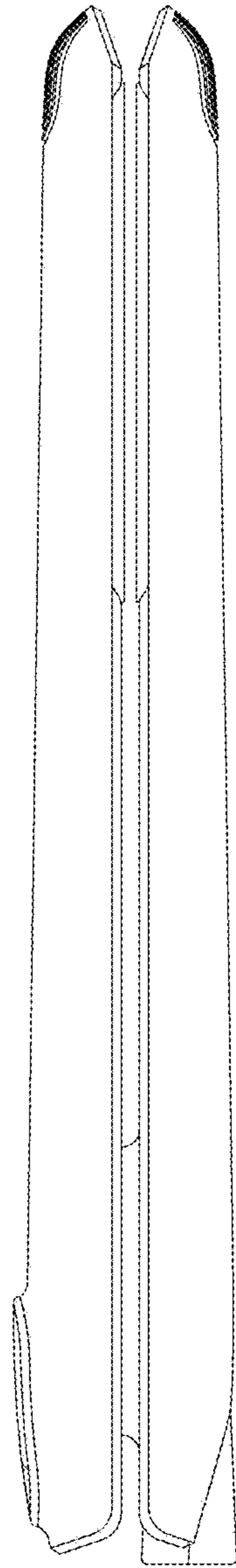


FIG. 2

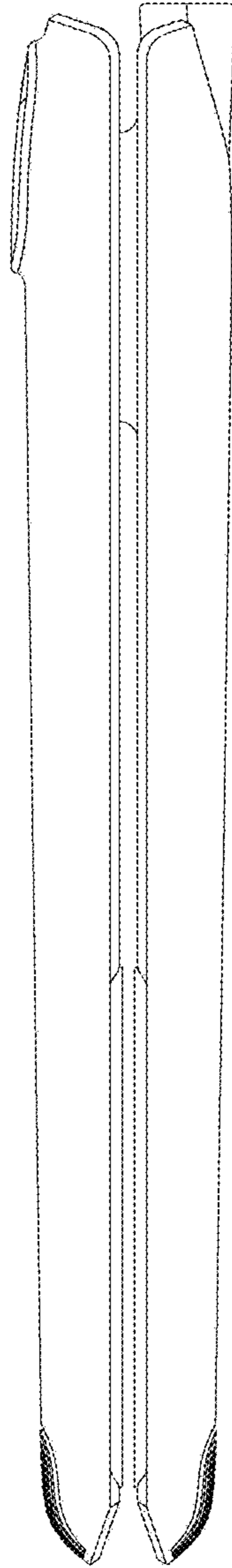


FIG. 3

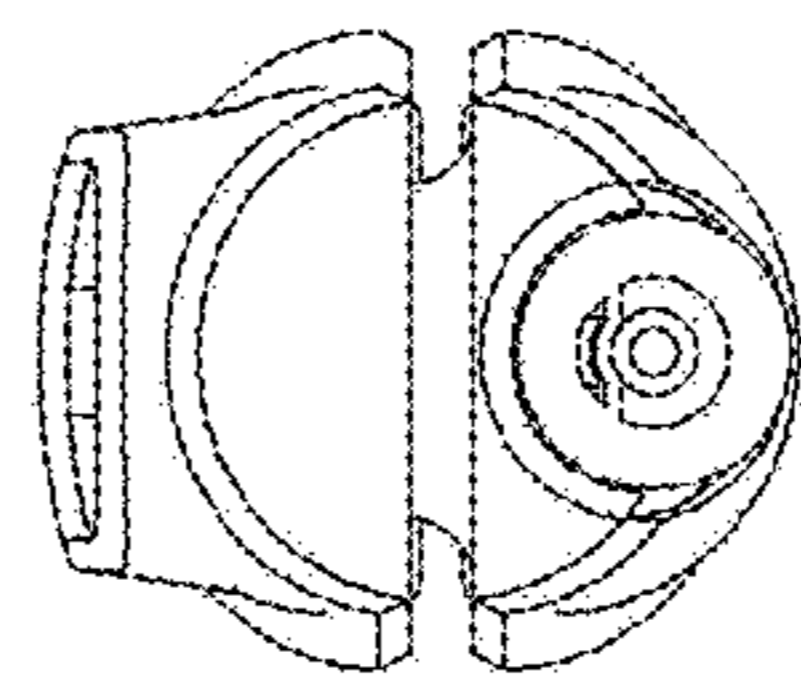


FIG. 4

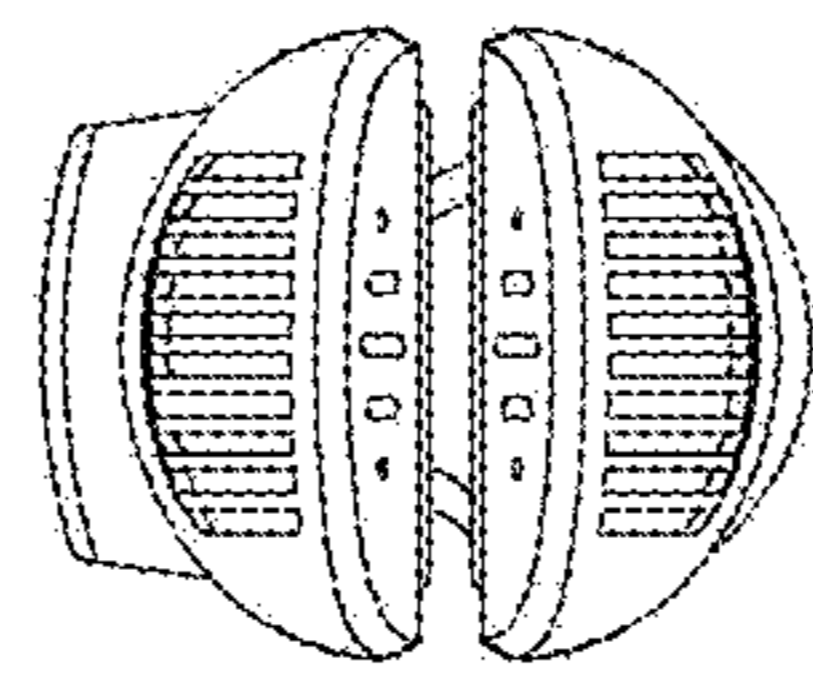


FIG. 5

FIG. 6

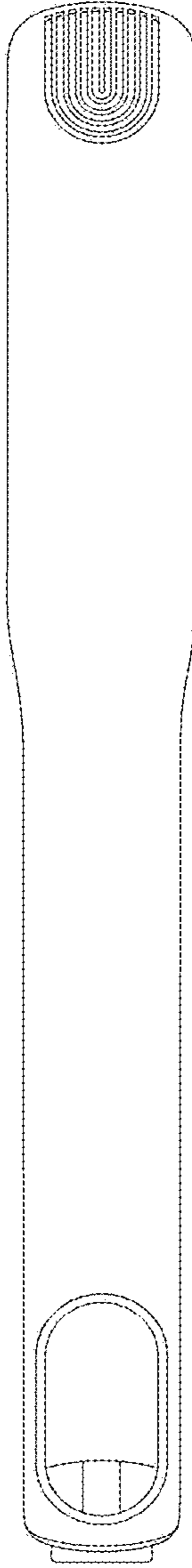
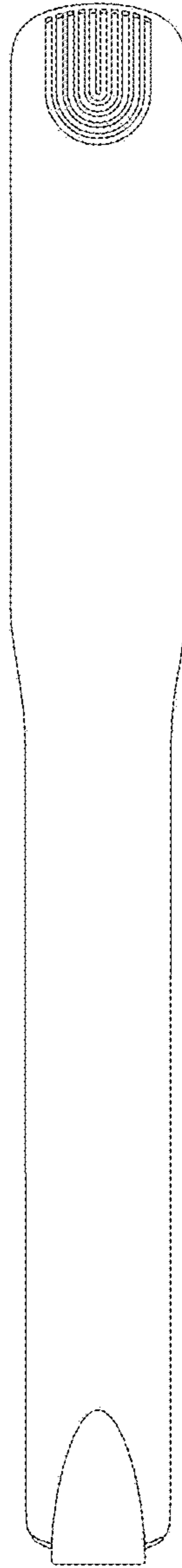


FIG. 7





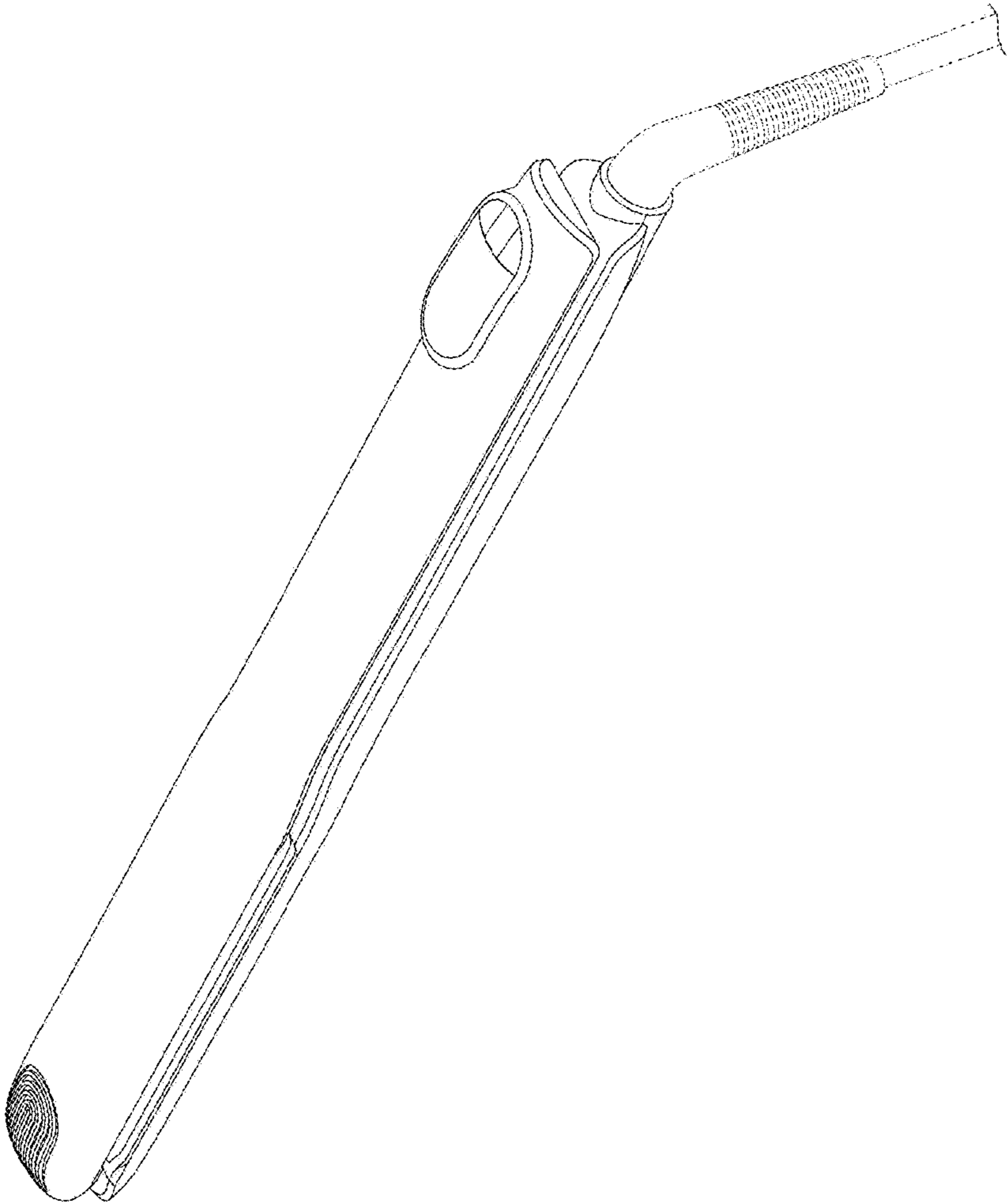


FIG. 8