



US00D853635S

(12) **United States Design Patent**
Chen

(10) **Patent No.:** **US D853,635 S**

(45) **Date of Patent:** **** Jul. 9, 2019**

(54) **ATOMIZER FOR ELECTRONIC CIGARETTE**

(71) Applicant: **SHENZHEN SMOORE TECHNOLOGY LIMITED**, Shenzhen (CN)

(72) Inventor: **Zhiping Chen**, Shenzhen (CN)

(73) Assignee: **SHENZHEN SMOORE TECHNOLOGY LIMITED**, Shenzhen (CN)

(**) Term: **15 Years**

(21) Appl. No.: **29/606,450**

(22) Filed: **Jun. 5, 2017**

(30) **Foreign Application Priority Data**

Feb. 23, 2017 (CN) 2017 3 0049185

(51) **LOC (11) Cl.** **27-99**

(52) **U.S. Cl.**
USPC **D27/194**

(58) **Field of Classification Search**
USPC D27/100, 101, 139-161, 162-194;
D23/366; D7/416
CPC A24F 47/008; A24F 47/002; A24F 7/00;
A24F 15/12
See application file for complete search history.

(56) **References Cited**

U.S. PATENT DOCUMENTS

- D721,202 S * 1/2015 Liu D27/101
- D724,263 S * 3/2015 Malhi D27/101
- D724,779 S * 3/2015 Liu D27/101
- D749,261 S * 2/2016 Chen D27/162
- D752,279 S * 3/2016 Liu D27/101
- D767,818 S * 9/2016 Kayvon D27/162
- D767,819 S * 9/2016 Kayvon D27/162
- D772,478 S * 11/2016 Liu D27/167

- D799,113 S * 10/2017 Qiu D27/101
- D800,382 S * 10/2017 Mathias D27/167
- D806,941 S * 1/2018 Hawes D27/101
- D806,943 S * 1/2018 Liu D27/101
- D809,190 S * 1/2018 Schuler D27/101
- D811,652 S * 2/2018 Liu D27/167
- D814,103 S * 3/2018 Levinson D27/101
- D817,544 S * 5/2018 Chen D27/167
- 9,980,522 B1 * 5/2018 Heidl A24F 47/008
- 9,993,028 B2 * 6/2018 Li A24F 47/008
- D823,534 S * 7/2018 Chen D27/162

(Continued)

OTHER PUBLICATIONS

Vuber Vaporizers The C1 Tanker. by Vuber. no date on site. found online [Dec. 28, 2018] <https://vubervaporizers.com/product/core/>.*

(Continued)

Primary Examiner — Marissa J Cash

(74) *Attorney, Agent, or Firm* — Ladas & Parry LLP

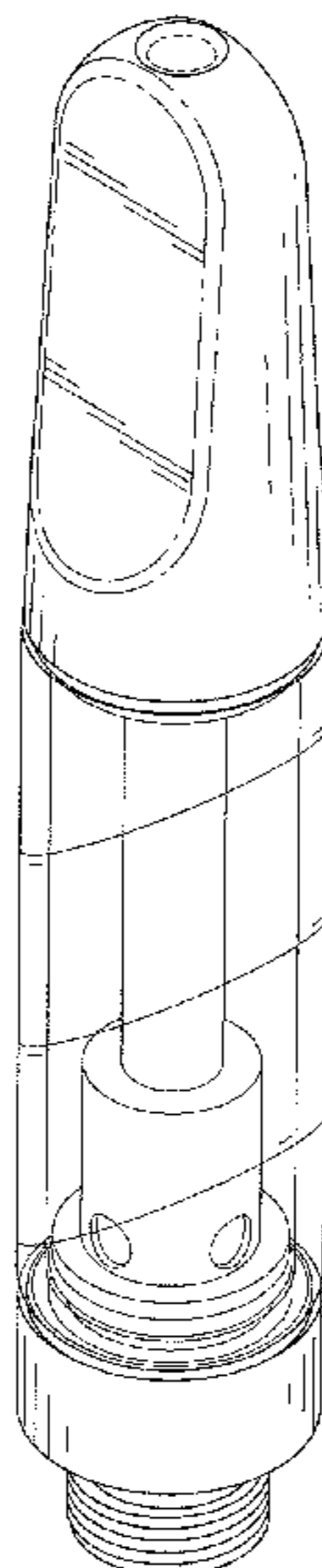
(57) **CLAIM**

The ornamental design for an atomizer for electronic cigarette, as shown and described.

DESCRIPTION

FIG. 1 is a front elevational view of an atomizer for electronic cigarette showing my new design; FIG. 2 is a rear elevational view thereof; FIG. 3 is a left side elevational view thereof; FIG. 4 is a right side elevational view thereof; FIG. 5 is a top plan view thereof; FIG. 6 is a bottom plan view thereof; FIG. 7 is a perspective view thereof; and, FIG. 8 is another perspective view thereof. The broken lines in the drawings depict portions of the atomizer for electronic cigarette that form no part of the claimed design.

1 Claim, 8 Drawing Sheets



(56)

References Cited

U.S. PATENT DOCUMENTS

D823,535 S * 7/2018 Xu D27/163
 D825,840 S * 8/2018 Xu D27/163
 D825,841 S * 8/2018 Xu D27/163
 D825,842 S * 8/2018 Xu D27/163
 D825,844 S * 8/2018 Verleur D27/167
 D826,470 S * 8/2018 Huang D27/167
 D826,471 S * 8/2018 Wang D27/167
 D829,976 S * 10/2018 Stone D27/101
 D832,498 S * 10/2018 Chen D27/101
 2015/0189918 A1* 7/2015 Liu H05B 3/03
 131/329
 2015/0189919 A1* 7/2015 Liu A24F 47/008
 131/329
 2015/0257444 A1* 9/2015 Chung A24F 47/008
 131/329
 2015/0257446 A1* 9/2015 Chung A24F 47/008
 131/329
 2015/0282528 A1* 10/2015 Liu A61M 15/06
 131/329
 2015/0282529 A1* 10/2015 Li A24F 47/008
 131/273
 2015/0335073 A1* 11/2015 Li A24F 47/008
 131/329
 2016/0000145 A1* 1/2016 Liu A61M 15/06
 131/329
 2016/0007654 A1* 1/2016 Zhu A24F 47/008
 131/328
 2016/0044966 A1* 2/2016 Li A24F 47/008
 131/329
 2016/0113327 A1* 4/2016 Wu H05B 3/06
 131/329
 2016/0135505 A1* 5/2016 Li H05B 3/44
 131/329
 2016/0206006 A1* 7/2016 Li H05B 1/0202
 2016/0219934 A1* 8/2016 Li A24F 47/008
 2016/0295920 A1* 10/2016 Liu H05B 3/0014
 2016/0345625 A1* 12/2016 Liu A24F 47/008
 2016/0366938 A1* 12/2016 Wu A24F 47/008

2017/0006923 A1* 1/2017 Li B67D 99/00
 2017/0013881 A1* 1/2017 Liu A24F 47/008
 2017/0027230 A1* 2/2017 Fornarelli A24F 47/008
 2017/0042229 A1* 2/2017 Liu B65D 25/56
 2017/0065001 A1* 3/2017 Li F16K 15/14
 2017/0071258 A1* 3/2017 Li A24F 47/008
 2017/0105453 A1* 4/2017 Li A24F 47/008
 2017/0127728 A1* 5/2017 Li B05B 7/1686
 2017/0196272 A1* 7/2017 Li A24F 47/008
 2017/0208869 A1* 7/2017 Li F16L 55/115
 2017/0273359 A1* 9/2017 Liu A61M 11/044
 2017/0280770 A1* 10/2017 Wang A24F 47/008
 2018/0000156 A1* 1/2018 Qiu A24F 47/008
 2018/0007961 A1* 1/2018 Zhu A24F 47/008
 2018/0027874 A1* 2/2018 Zhu A24F 47/008
 2018/0027881 A1* 2/2018 Chen A24F 47/008
 2018/0035715 A1* 2/2018 Wu H05B 1/0297
 2018/0035718 A1* 2/2018 Liu A24F 47/00
 2018/0042307 A1* 2/2018 Johnson A24F 47/008
 2018/0049470 A1* 2/2018 Chen A24F 47/008
 2018/0064172 A1* 3/2018 Qiu A24F 47/008
 2018/0116287 A1* 5/2018 Dai A24F 47/008
 2018/0116288 A1* 5/2018 Hu H05B 3/46
 2018/0116289 A1* 5/2018 Qiu A24F 47/008
 2018/0116290 A1* 5/2018 Li A24F 47/008
 2018/0116295 A1* 5/2018 Qiu A24F 47/008
 2018/0255835 A1* 9/2018 Crowe A24F 47/008
 2018/0343923 A1* 12/2018 Chen A24F 47/008
 2018/0352861 A1* 12/2018 Qiu A24F 47/008
 2018/0360126 A1* 12/2018 Chen A24F 47/008

OTHER PUBLICATIONS

Ceramic Drip tip Thick Oil Vaporizer Tank by DH Gate. dated 2018. found online [Dec. 18, 2018] <https://www.dhgate.com/product/ceramic-drip-tip-thick-oil-vaporizer-tank/418591468.html>.*

Gold Atomizer Cartridge E Cigarette Vaporizer by DHGate. datd 2019. found online [Mar. 28, 2019] <https://www.dhgate.com/product/gold-atomizer-cartridge-e-cigarette-vaporizer/430109640.html>.*

* cited by examiner

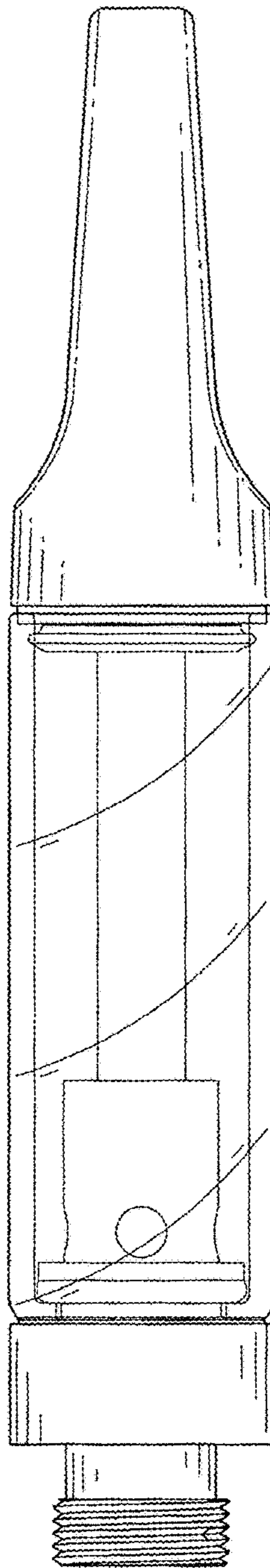


FIG. 1

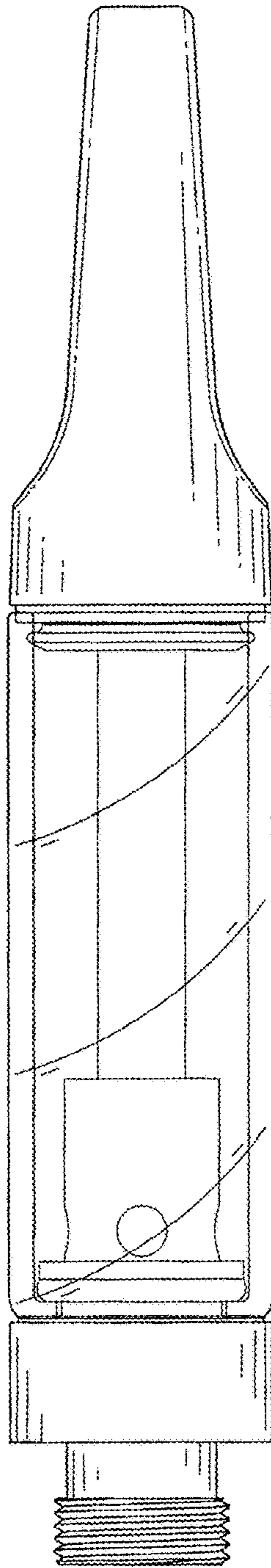


FIG. 2

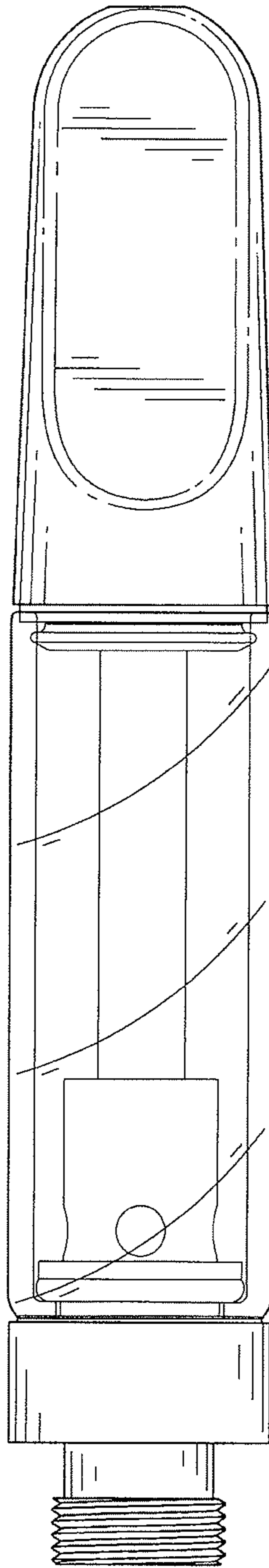


FIG. 3

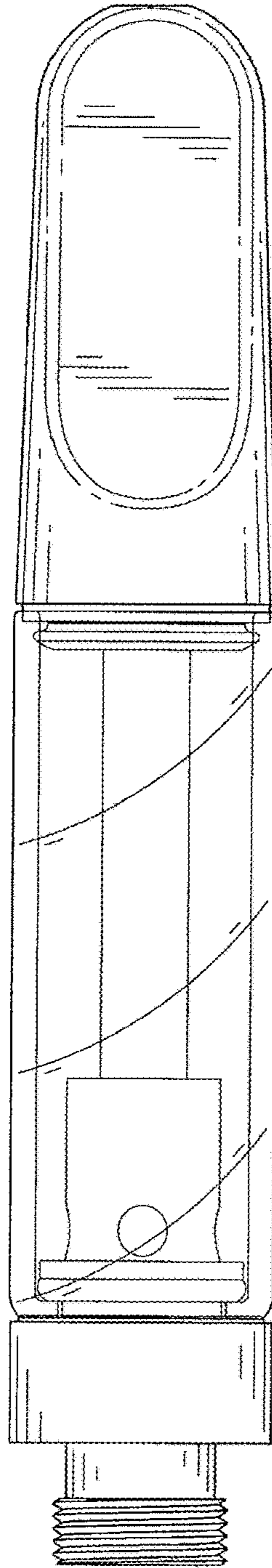


FIG. 4

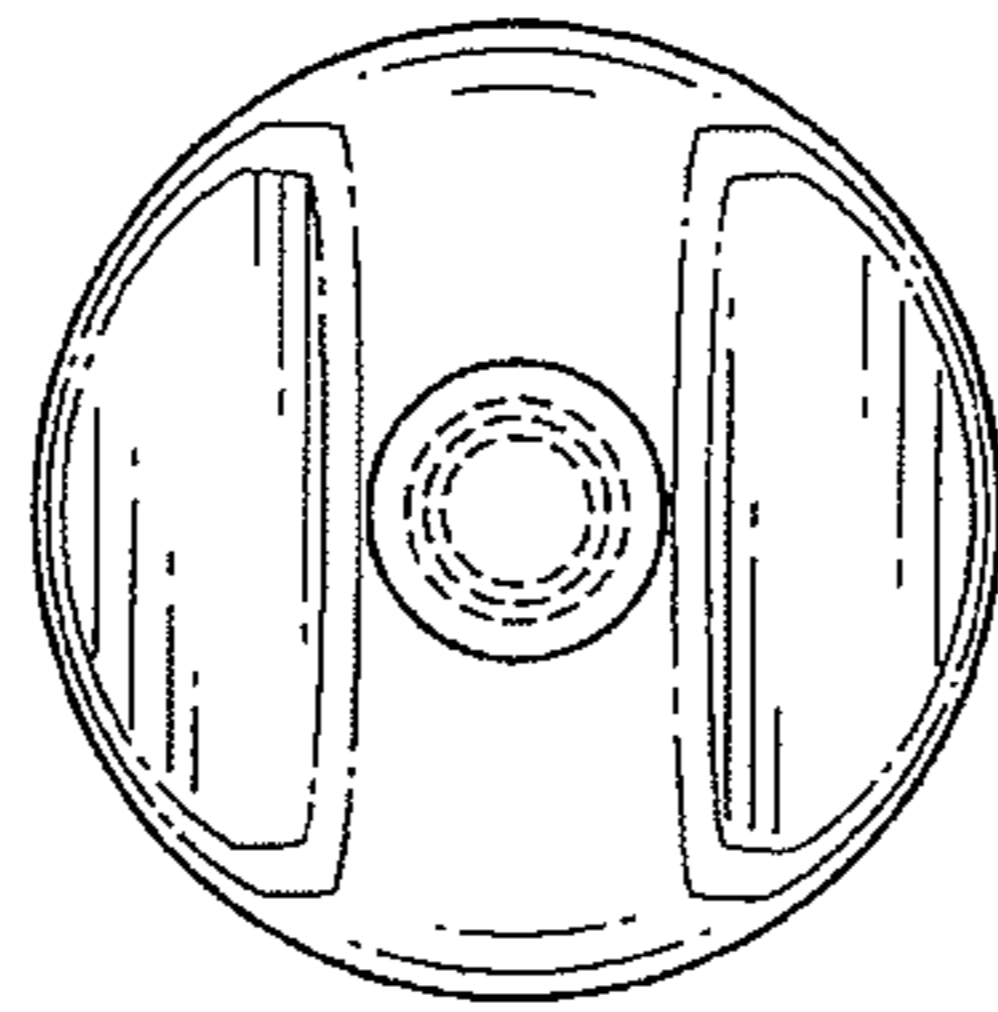


FIG. 5

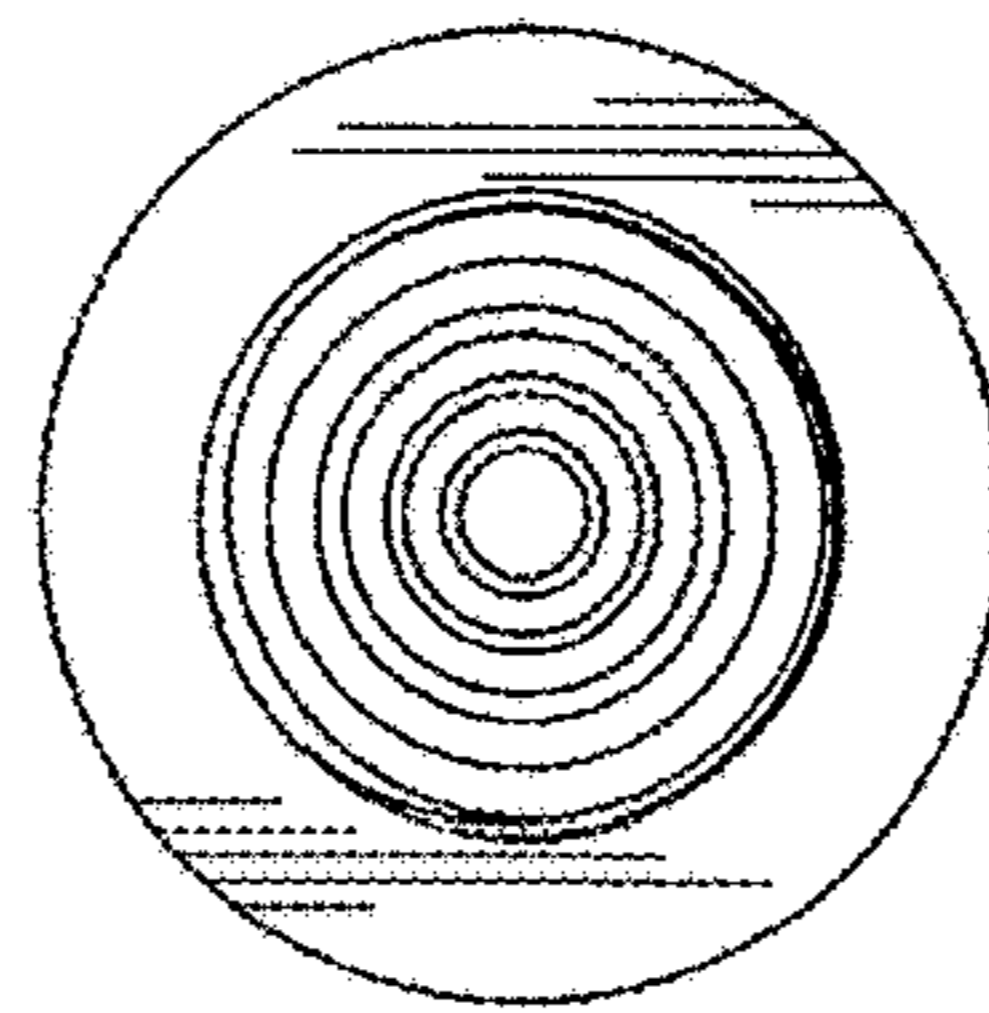


FIG. 6

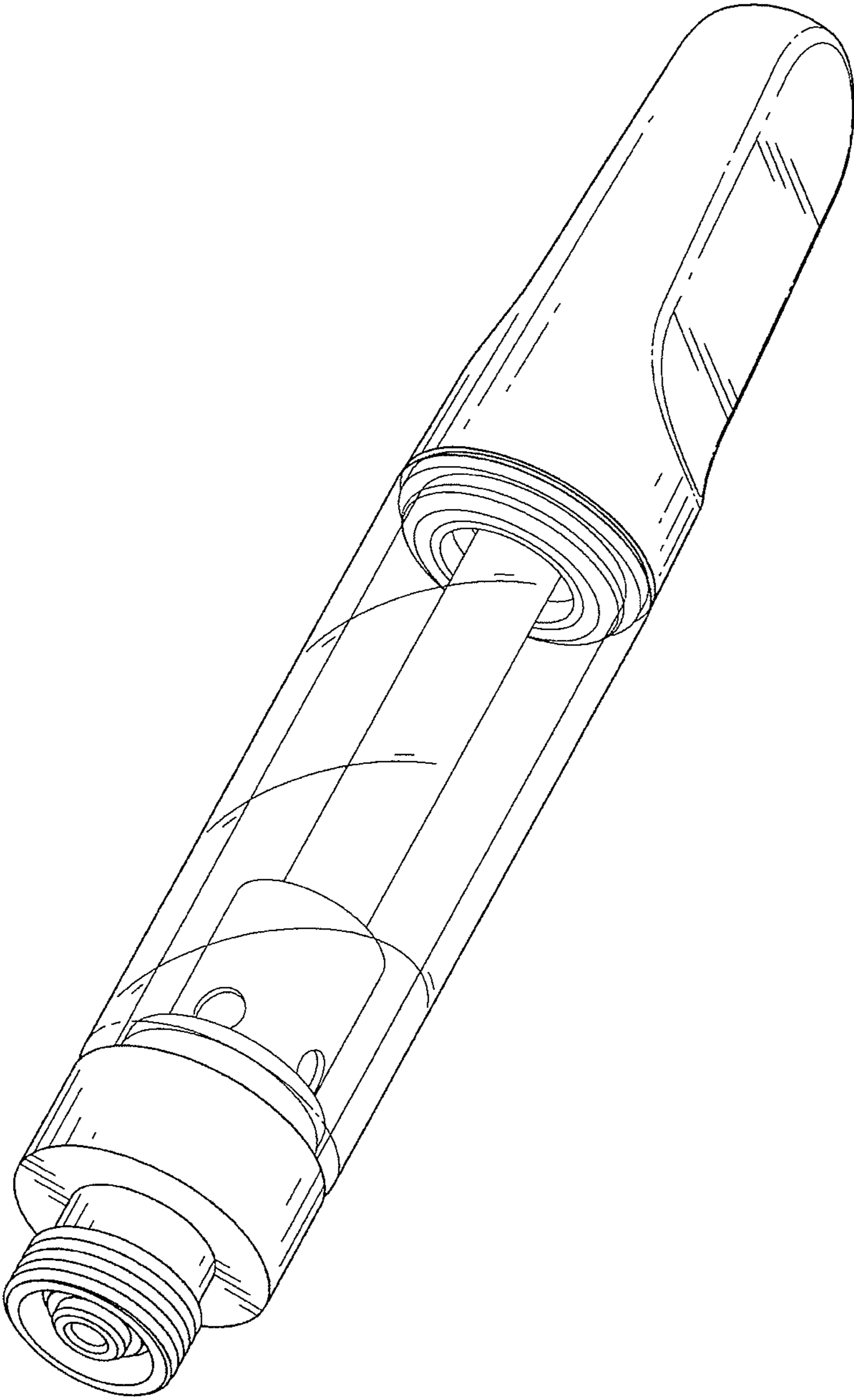


FIG. 7

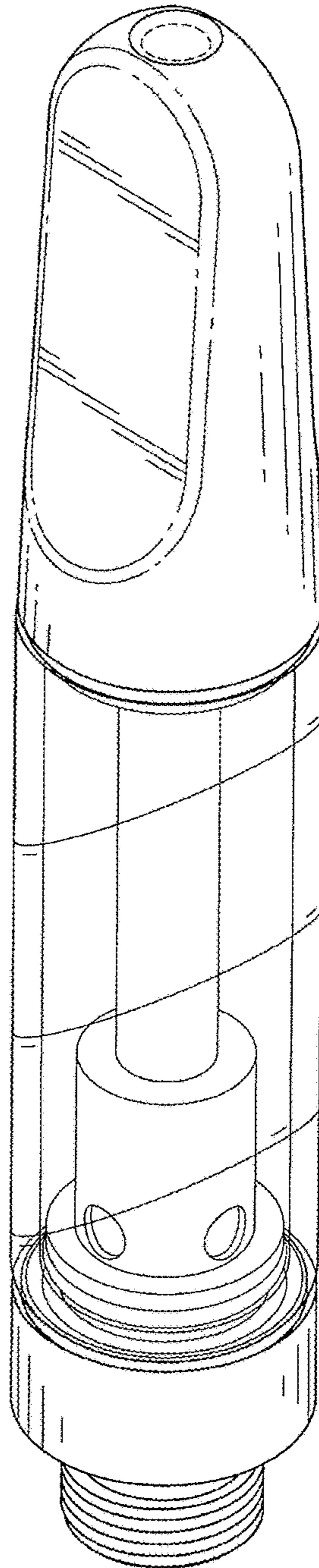


FIG. 8

UNITED STATES PATENT AND TRADEMARK OFFICE
CERTIFICATE OF CORRECTION

PATENT NO. : D853,635 S
APPLICATION NO. : 29/606450
DATED : July 9, 2019
INVENTOR(S) : Zhenyu Wu et al.

Page 1 of 1

It is certified that error appears in the above-identified patent and that said Letters Patent is hereby corrected as shown below:

On the Title Page

Under item (12):

“Chen”

Should read:

--Zhenyu Wu et al.--

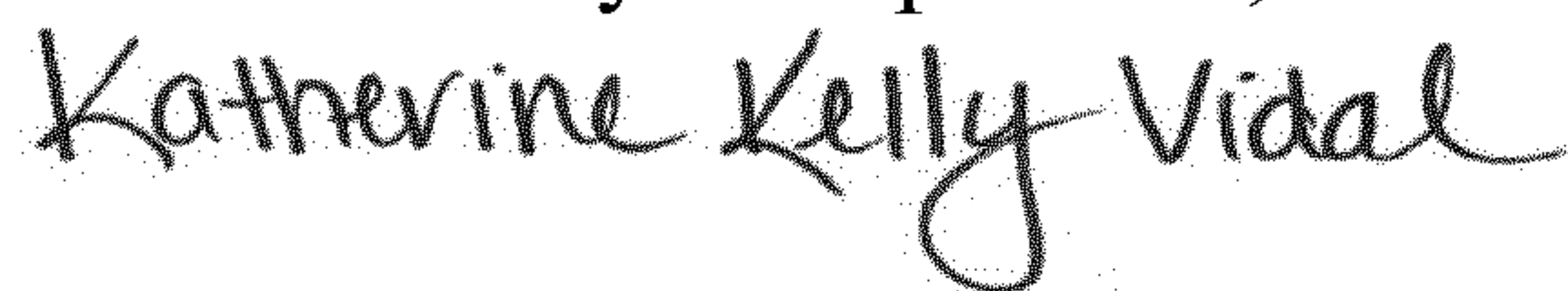
Item (72), the inventor named:

“Zhiping Chen”

Should read:

--Zhenyu Wu, Shenshen, China; and
Shouhao Chen, Shenshen, China--

Signed and Sealed this
Twentieth Day of September, 2022



Katherine Kelly Vidal
Director of the United States Patent and Trademark Office