



US00D853631S

(12) **United States Design Patent**
Sperling

(10) **Patent No.:** **US D853,631 S**

(45) **Date of Patent:** **** Jul. 9, 2019**

(54) **LIGHT FIXTURE**

(71) Applicant: **Maxim Lighting International, Inc.**,
City of Industry, CA (US)

(72) Inventor: **Jacob Sperling**, City of Industry, CA
(US)

(73) Assignee: **Maxim Lighting International, Inc.**,
City of Industry, CA (US)

(**) Term: **15 Years**

(21) Appl. No.: **29/590,412**

(22) Filed: **Jan. 10, 2017**

(51) **LOC (11) Cl.** **D26-99**

(52) **U.S. Cl.**
USPC **D26/155; D26/154**

(58) **Field of Classification Search**
USPC D26/72, 80-88, 90, 91, 143, 144, 152,
D26/153, 155

CPC F21S 8/04; F21S 8/06; F21S 8/061; F21S
8/063; F21S 8/065

See application file for complete search history.

(56) **References Cited**

U.S. PATENT DOCUMENTS

D40,297 S *	10/1909	Schneider	D26/84
D80,534 S *	2/1930	Kramer	D26/90
D100,590 S *	7/1936	Wangersheim	D26/144
D162,173 S *	2/1951	Julien et al.	D26/86
D226,532 S *	3/1973	Ishii	D26/84
D238,506 S *	1/1976	Loveless	D26/84
3,979,584 A *	9/1976	Fossati	F21S 8/065 248/224.51
D286,445 S *	10/1986	Sink	D26/86

D298,059 S *	10/1988	Muller	D26/86
D368,148 S *	3/1996	Lee	D26/86
D541,970 S *	5/2007	Blackman	D26/81
D634,880 S *	3/2011	Pedrali	D26/76
D636,109 S *	4/2011	Pedrali	D26/76
D666,764 S *	9/2012	Gilad	D26/79
D791,385 S *	7/2017	Sonneman	D26/84
D792,630 S *	7/2017	Sonneman	D26/86
D794,861 S *	8/2017	Goorsenberg	D26/84
2008/0253116 A1 *	10/2008	Liao	F21S 6/002 362/235

* cited by examiner

Primary Examiner — Clare E Heflin

(74) *Attorney, Agent, or Firm* — Polsinelli PC; Adam C. Rehm

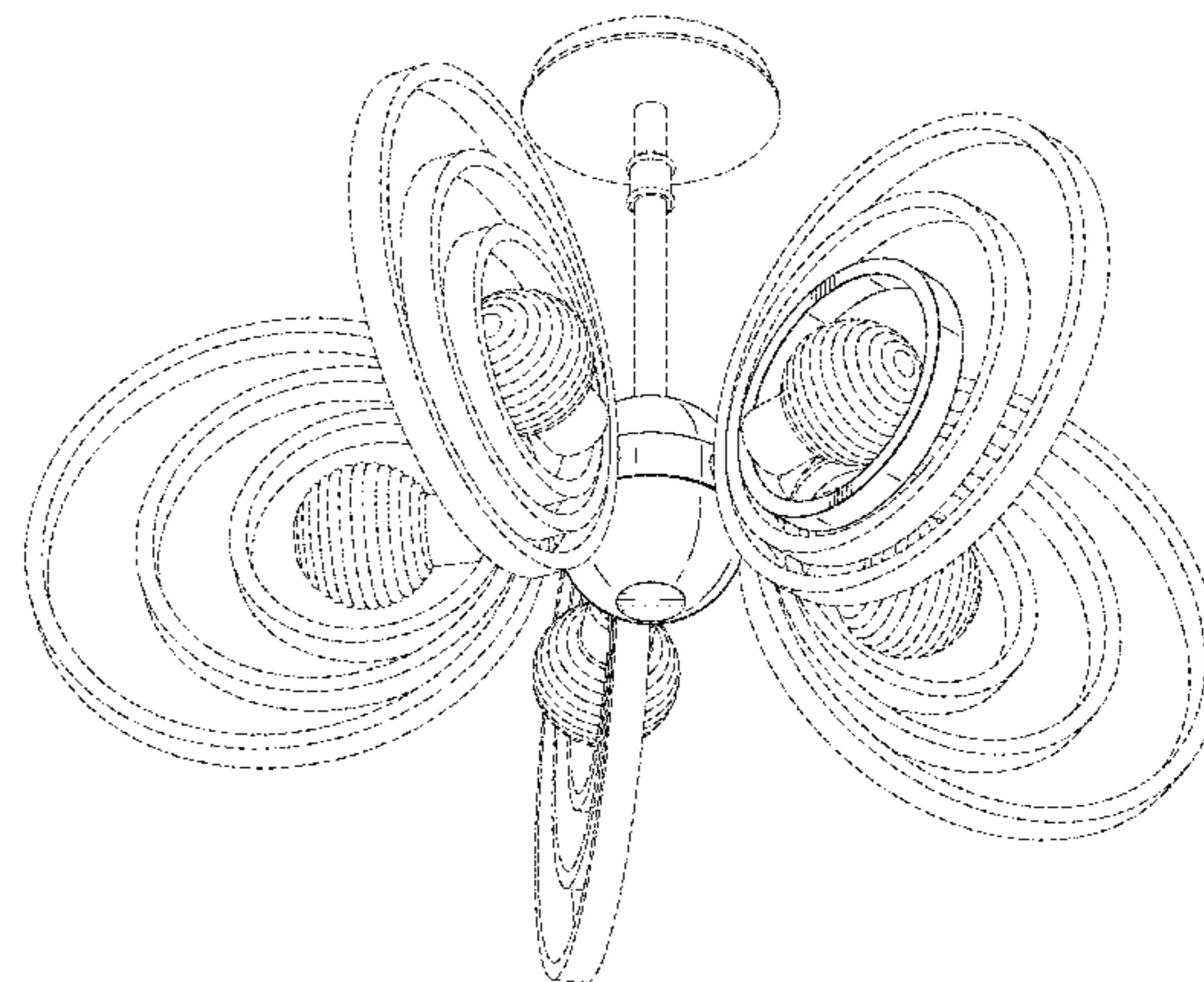
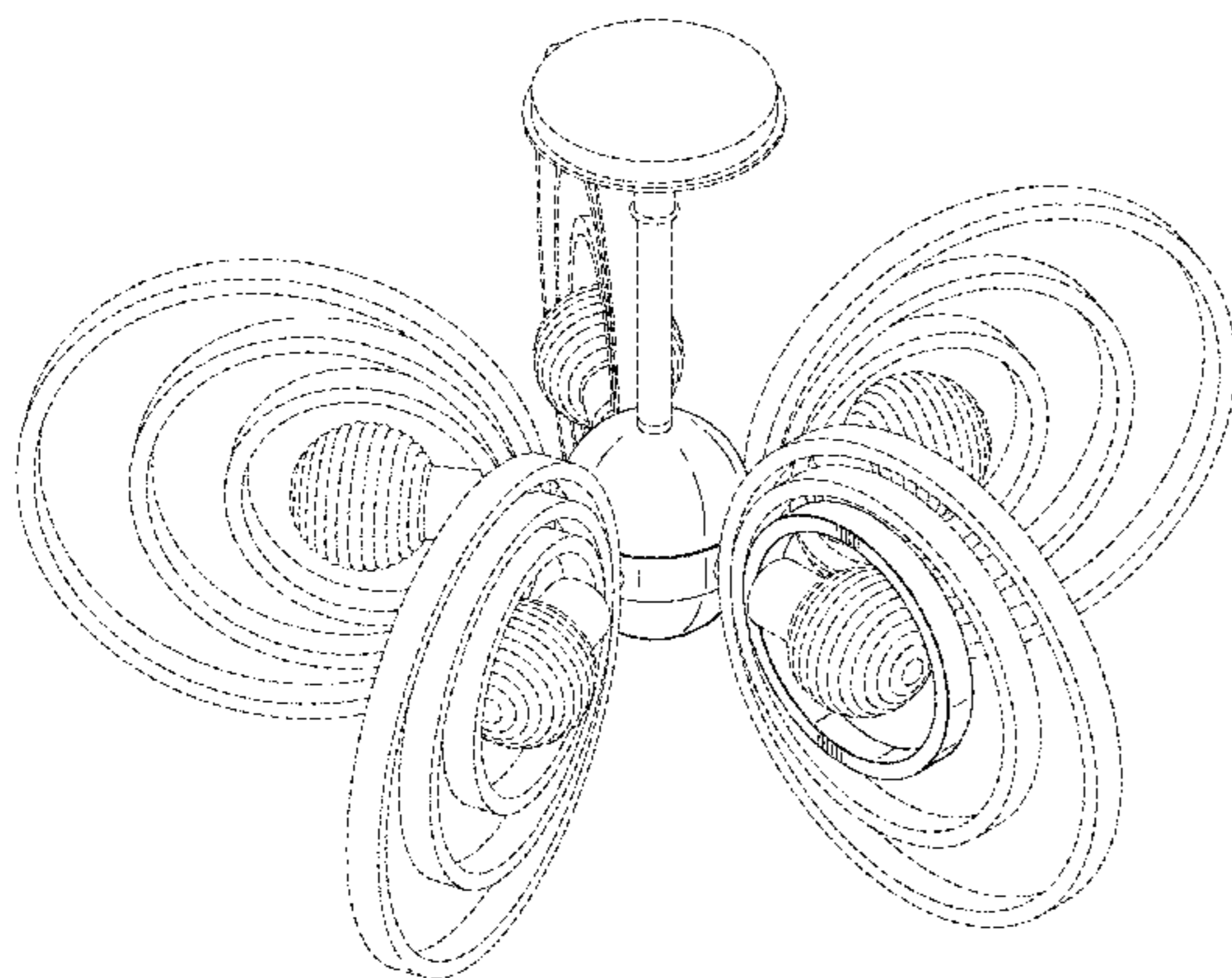
(57) **CLAIM**

The ornamental design for a light fixture, as shown and described.

DESCRIPTION

FIG. 1 is a front, top, right side perspective view of a light fixture according to the new design;
FIG. 2 is a front side elevation view thereof;
FIG. 3 is a rear side elevation view thereof;
FIG. 4 is a left side elevation view thereof;
FIG. 5 is a right side elevation view thereof;
FIG. 6 is a top plan view thereof;
FIG. 7 is a bottom plan view thereof; and,
FIG. 8 is a front, bottom, right side perspective view thereof.
The broken lines shown on the drawings depict portions of the light fixture that form no part of the claimed design.

1 Claim, 8 Drawing Sheets



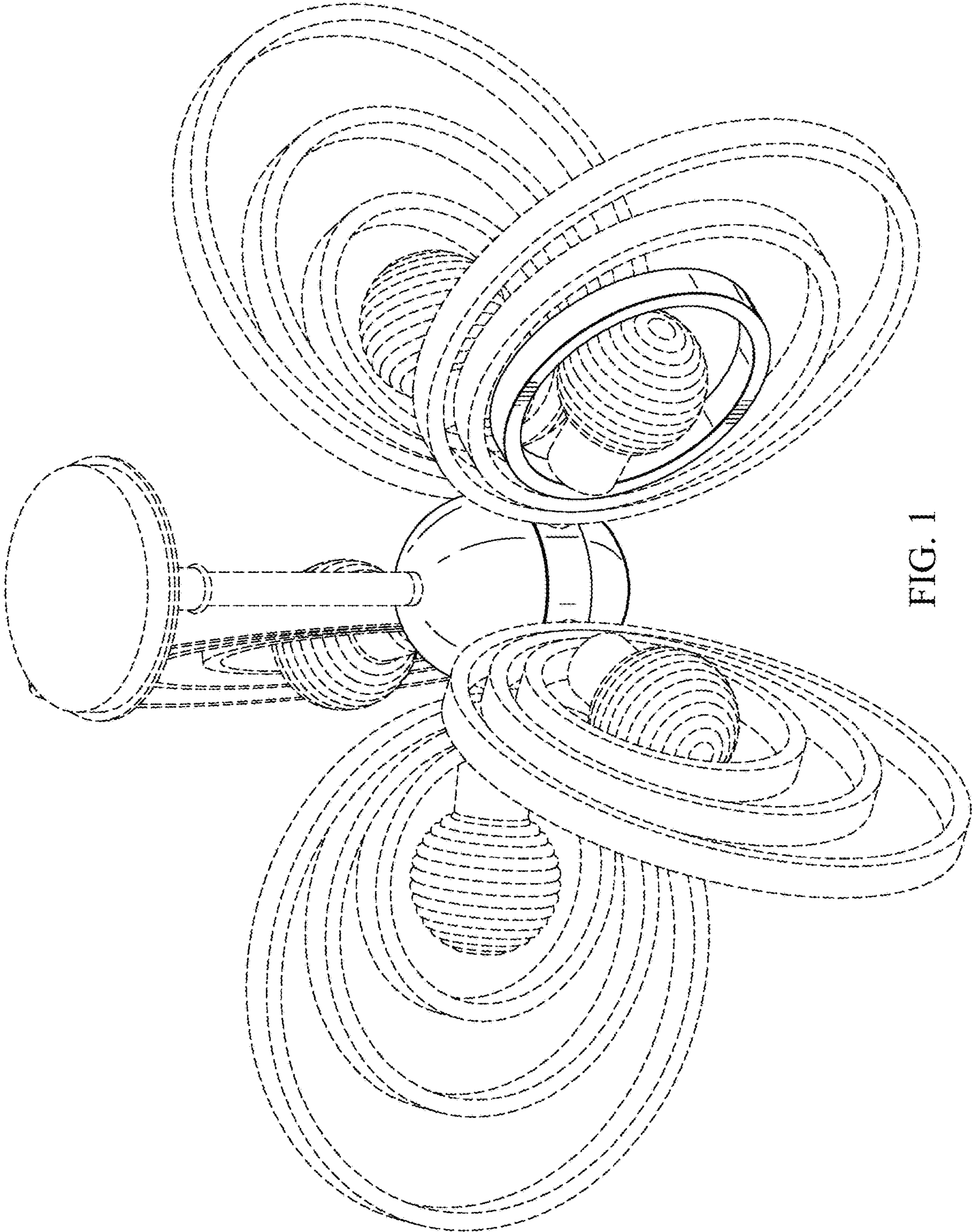


FIG. 1

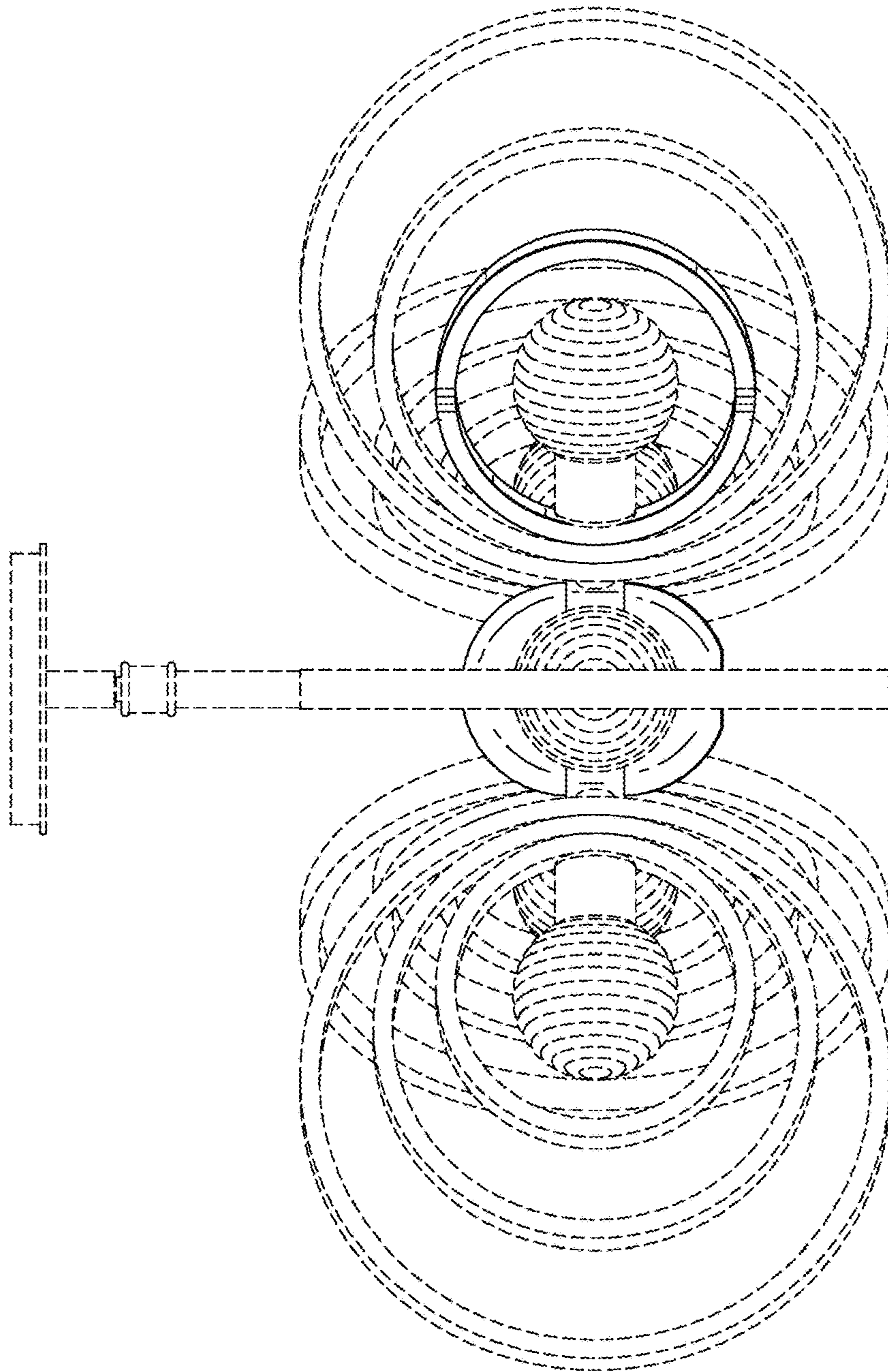


FIG. 2

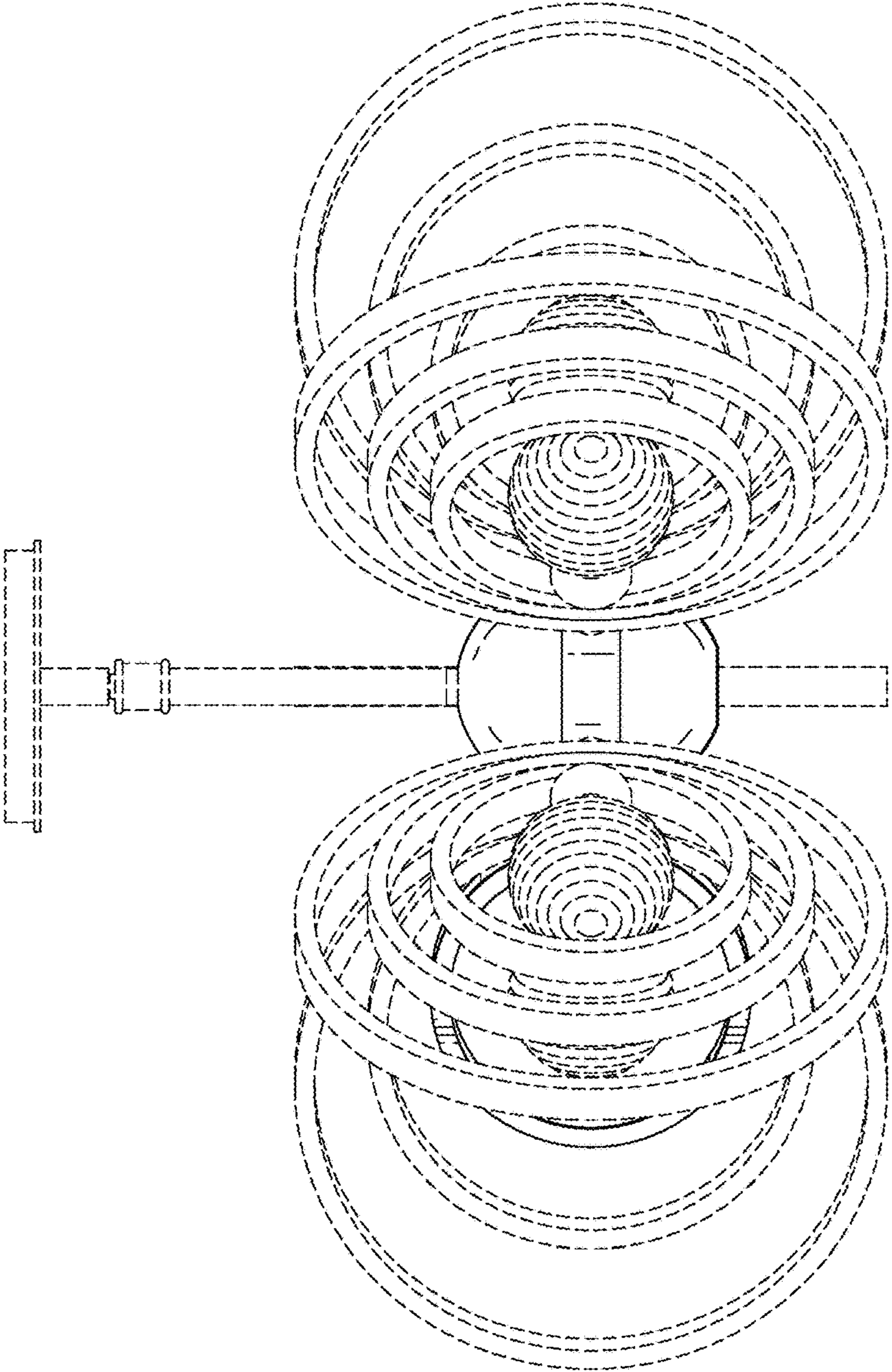


FIG. 3

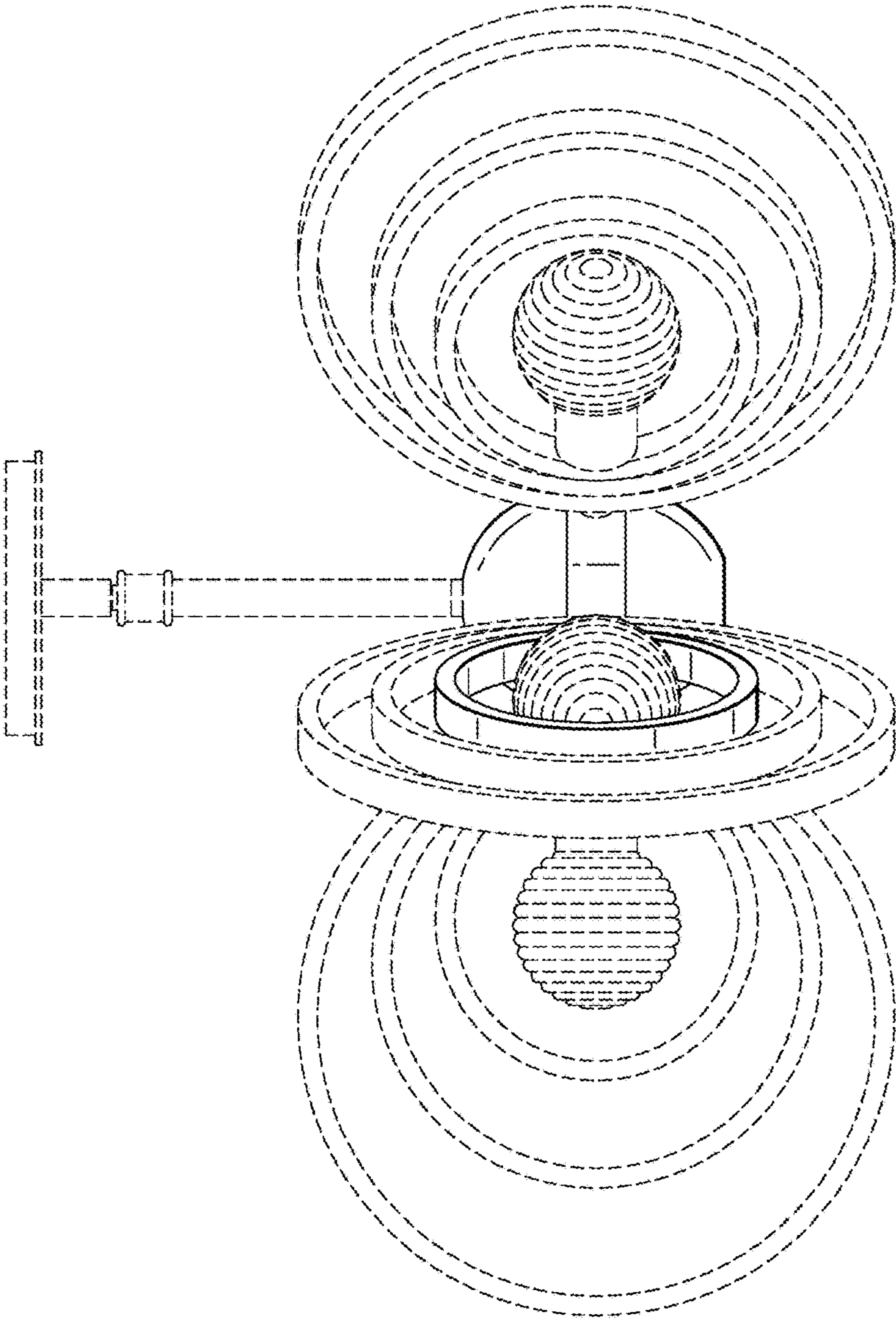


FIG. 4

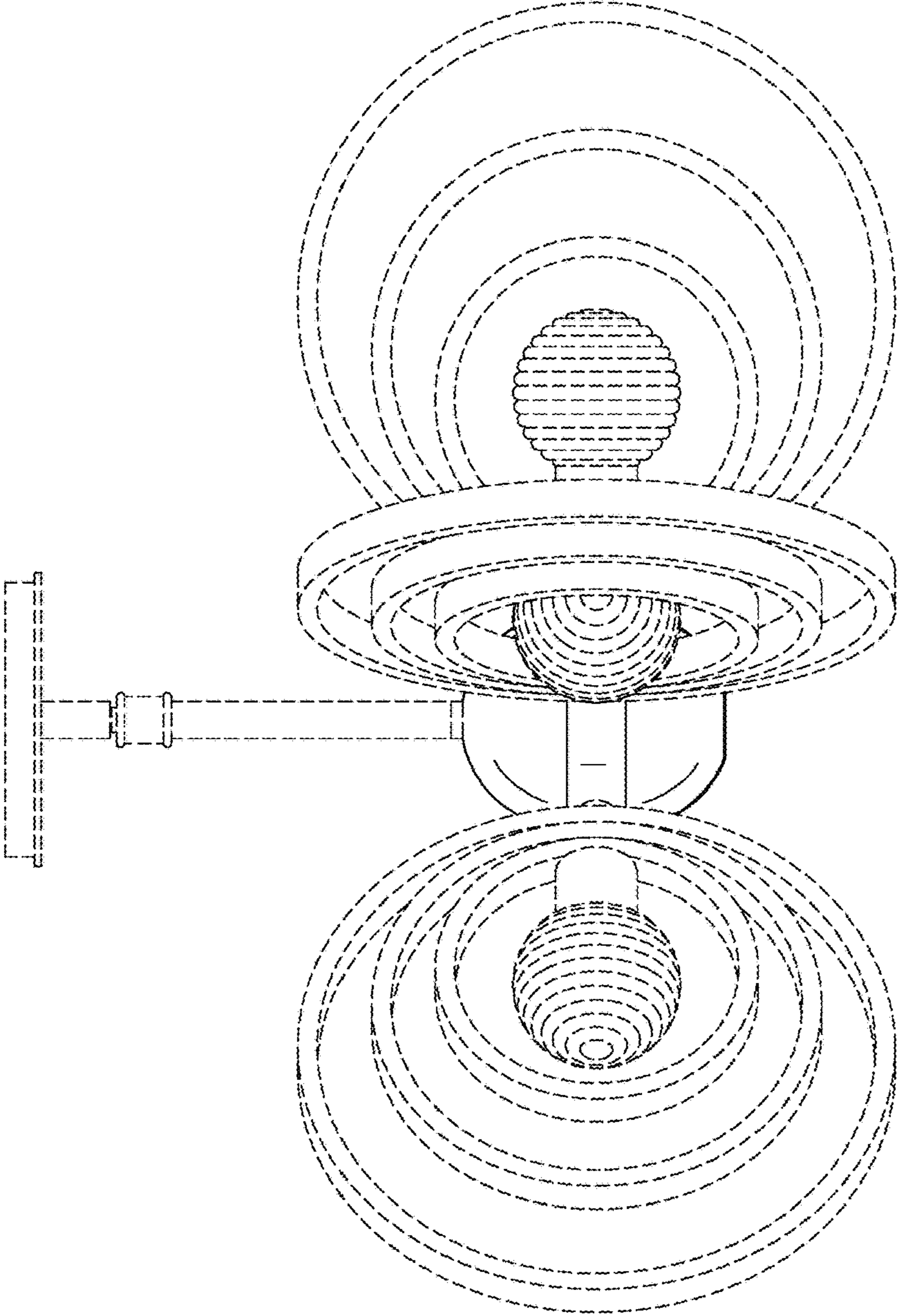


FIG. 5

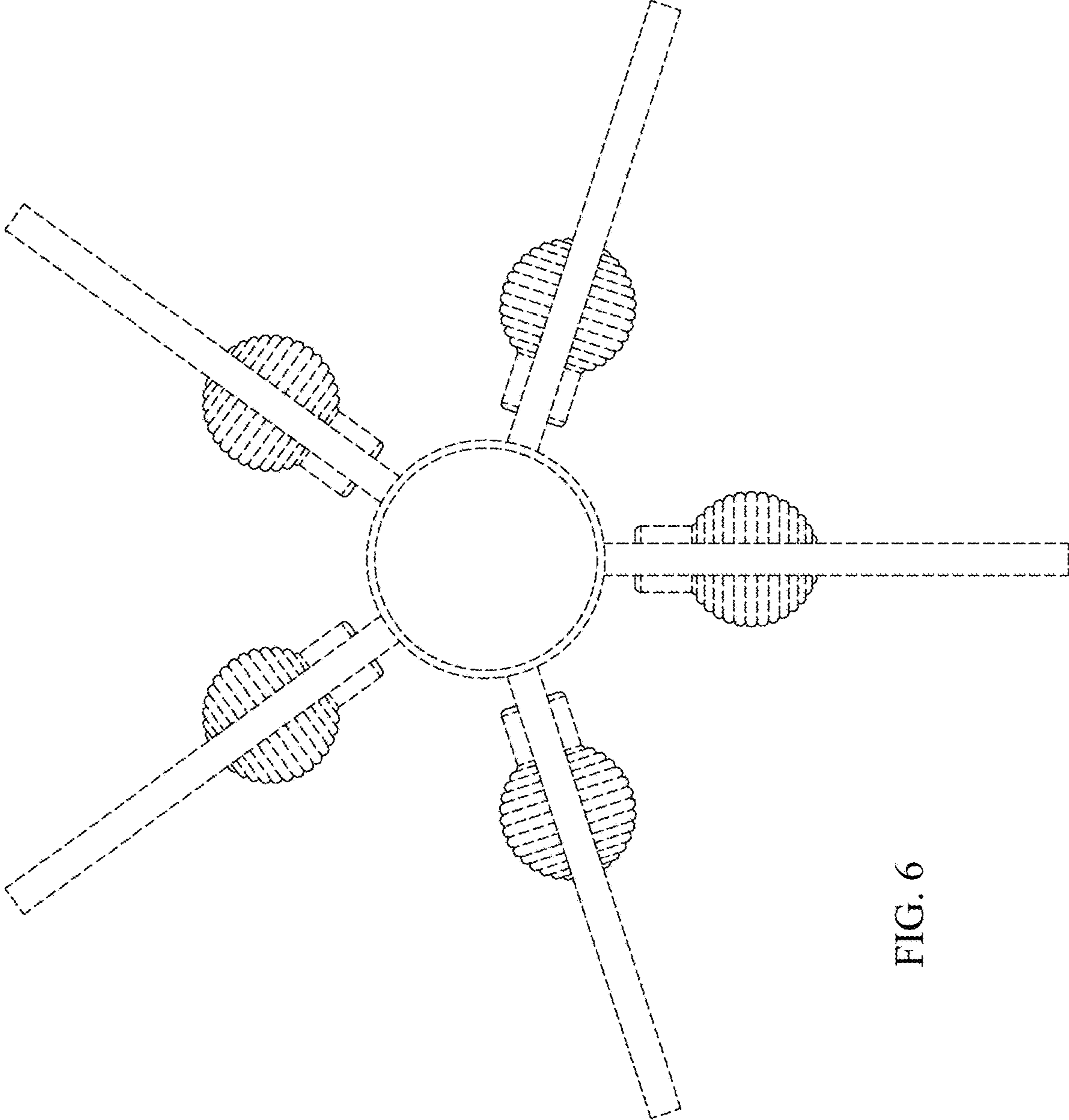


FIG. 6

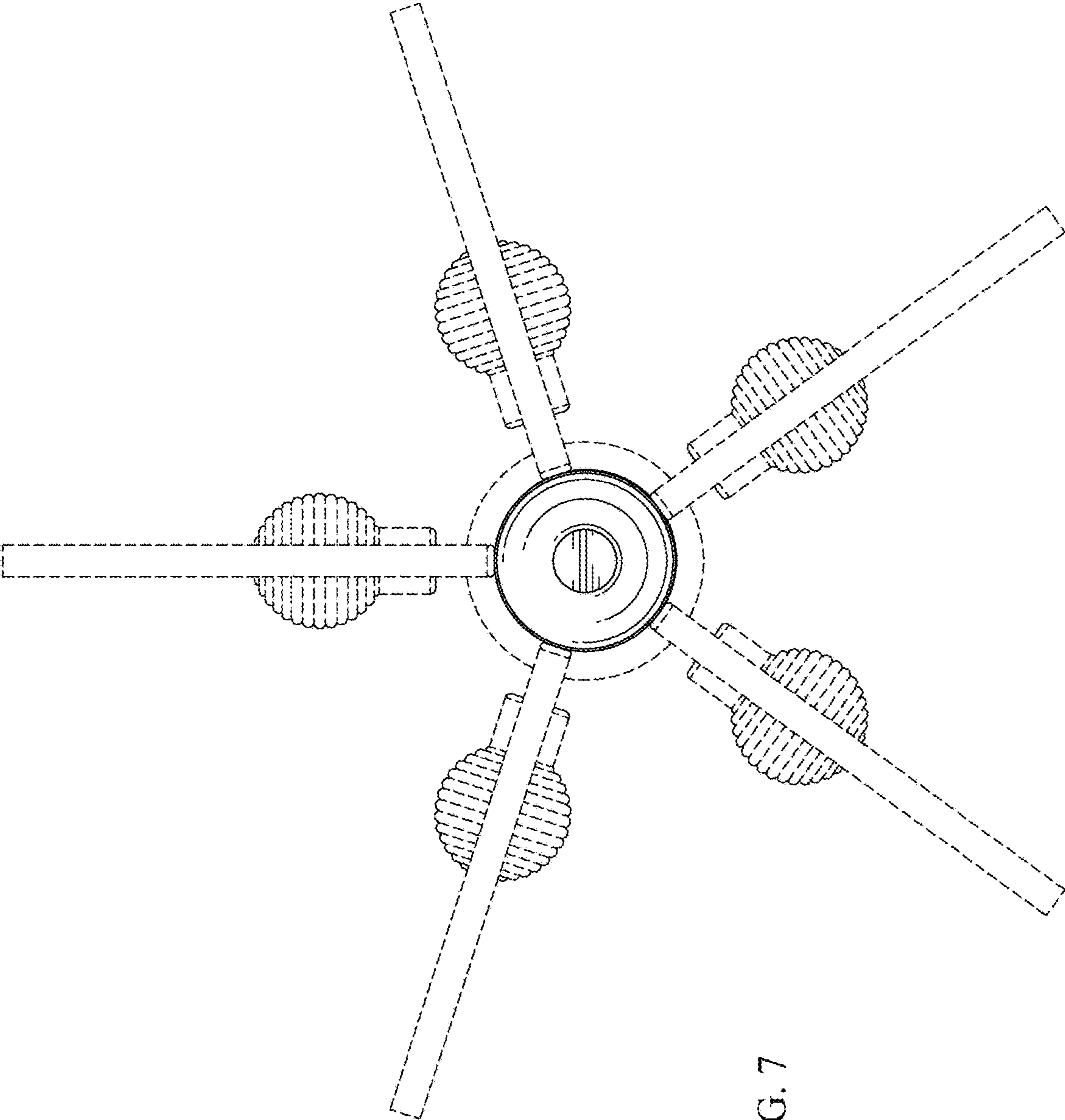


FIG. 7

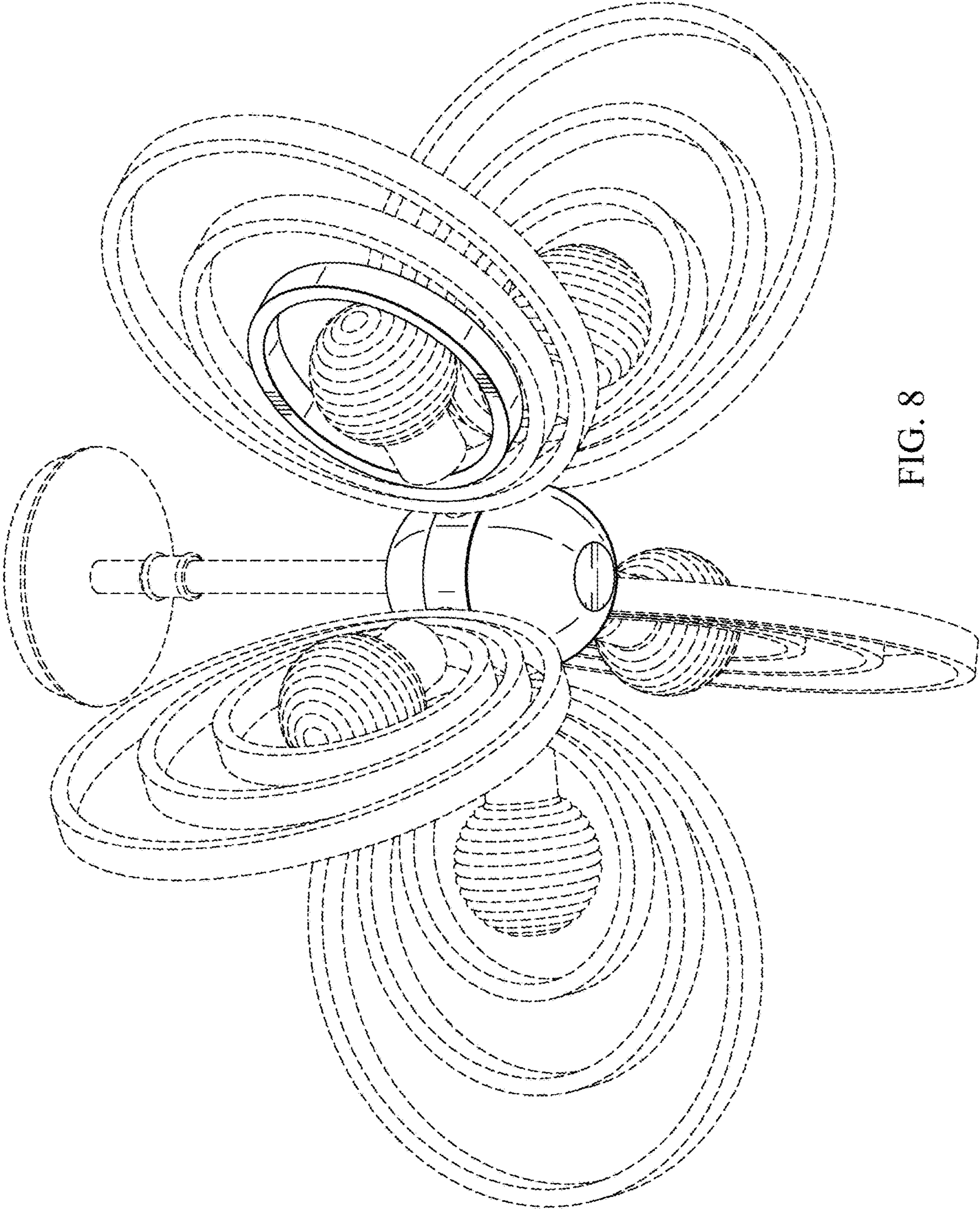


FIG. 8