



US00D853630S

(12) **United States Design Patent** (10) **Patent No.:** **US D853,630 S**  
**Wilcox** (45) **Date of Patent:** **\*\* Jul. 9, 2019**

(54) **LIGHTING RAIL SYSTEM**  
(71) Applicant: **Isaac Wilcox**, Berkley, CA (US)  
(72) Inventor: **Isaac Wilcox**, Berkley, CA (US)  
(\*\*) Term: **15 Years**  
(21) Appl. No.: **29/682,037**  
(22) Filed: **Mar. 1, 2019**  
(51) **LOC (11) Cl.** ..... **26-05**  
(52) **U.S. Cl.**  
USPC ..... **D26/142; D26/87**  
(58) **Field of Classification Search**  
USPC ..... D26/76, 78, 79, 80, 81, 82, 83, 85, 86,  
D26/87, 88, 90, 93, 111, 113, 118, 119,  
D26/120, 121, 122, 138, 139, 140, 141,  
D26/142, 152  
CPC ..... F21S 2/00; F21S 4/00; F21S 4/003; F21S  
4/005; F21S 4/006; F21S 4/007; F21S  
4/008; F21S 6/00; F21S 8/00; F21S  
8/024; F21S 8/026; F21S 8/031; F21S  
8/033; F21S 8/035-037; F21S 8/04; F21S  
8/043; F21S 8/063  
See application file for complete search history.

(56) **References Cited**  
U.S. PATENT DOCUMENTS  
D205,463 S \* 8/1966 Zelenko ..... D26/62  
D217,063 S \* 3/1970 Daito ..... D26/107  
4,238,816 A \* 12/1980 Merlo ..... F21S 6/003  
362/279  
D261,180 S 10/1981 Lugin  
D312,885 S 12/1990 Louis  
D408,577 S \* 4/1999 Arndt ..... D26/107  
D469,206 S 1/2003 Newhouse et al.  
D476,106 S \* 6/2003 Kim ..... D26/62  
D512,171 S \* 11/2005 Opolka ..... D26/62

D542,955 S \* 5/2007 Hodgson ..... D26/60  
D590,977 S 4/2009 Mullen  
D616,600 S \* 5/2010 Gilbert ..... D26/155  
D629,945 S \* 12/2010 Brossardt ..... D26/61  
D643,565 S \* 8/2011 Gilad ..... D26/87  
D664,694 S \* 7/2012 Guercio ..... D26/62  
D666,761 S \* 9/2012 Citterio ..... D26/87  
D672,895 S 12/2012 Guercio et al.  
D672,897 S \* 12/2012 Guercio ..... D26/62  
D683,068 S \* 5/2013 Zhou ..... D26/142  
D689,237 S \* 9/2013 Ke ..... D26/107  
D752,271 S \* 3/2016 Saunders ..... D26/107  
D759,289 S \* 6/2016 Newhouse ..... D26/107  
D824,573 S \* 7/2018 Sonneman ..... D26/87

\* cited by examiner

*Primary Examiner* — Natasha Vujcic  
(74) *Attorney, Agent, or Firm* — Johan Eide; Christopher Pilling

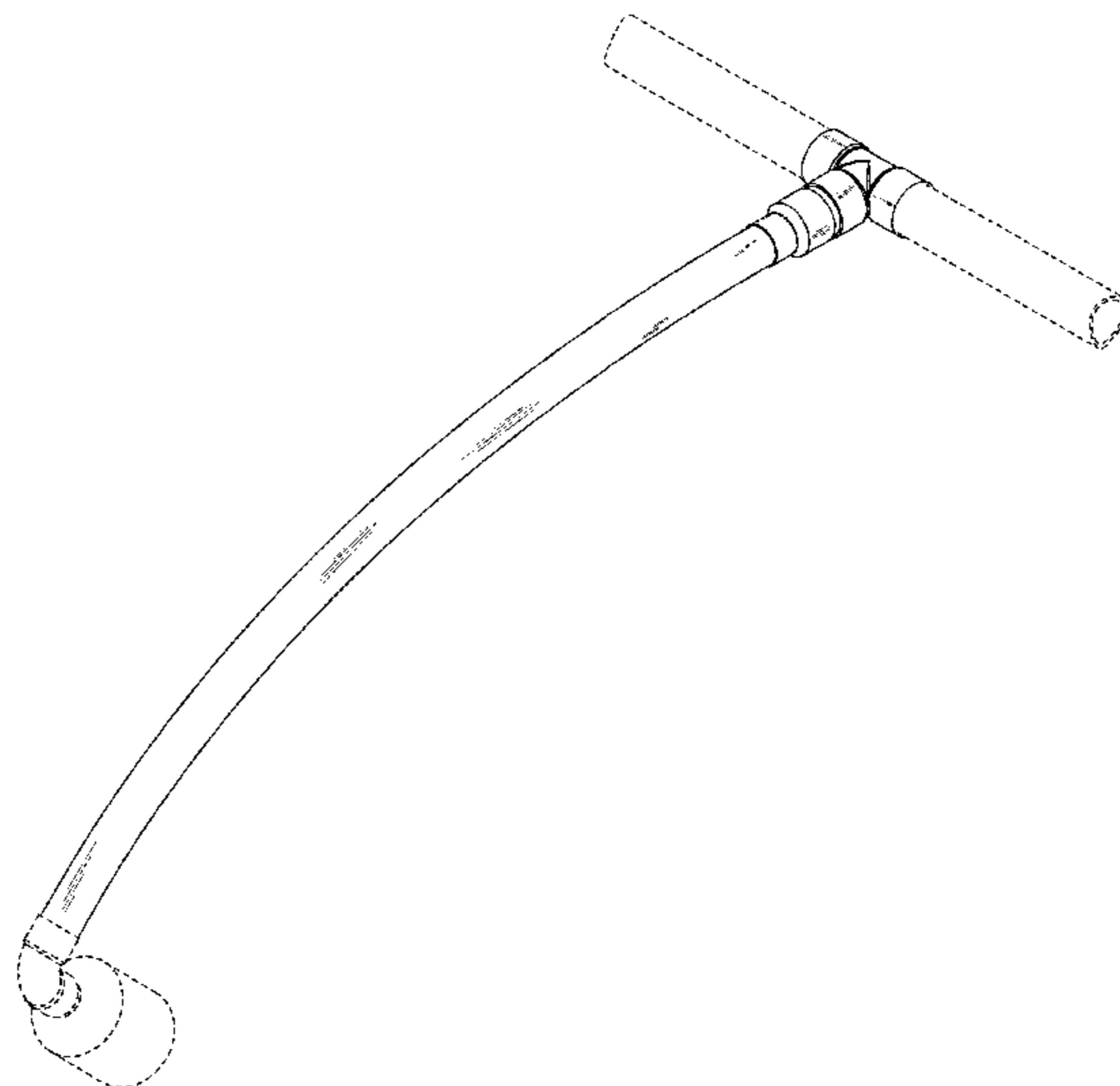
(57) **CLAIM**

I claim, the ornamental design for a lighting rail system, as shown and described.

**DESCRIPTION**

FIG. 1 is a perspective view of a new design for a lighting rail system;  
FIG. 2 is a front view thereof;  
FIG. 3 is a rear thereof;  
FIG. 4 is a right view thereof;  
FIG. 5 is a left view thereof;  
FIG. 6 is a bottom thereof; and,  
FIG. 7 is a top view thereof.  
The broken lines shown in the drawings depict portions of the decorative lighting rail system that form no part of the claimed design.  
The shading is provided to illustrate contour and material type only and is not an indication of texture, gloss, etc.

**1 Claim, 7 Drawing Sheets**



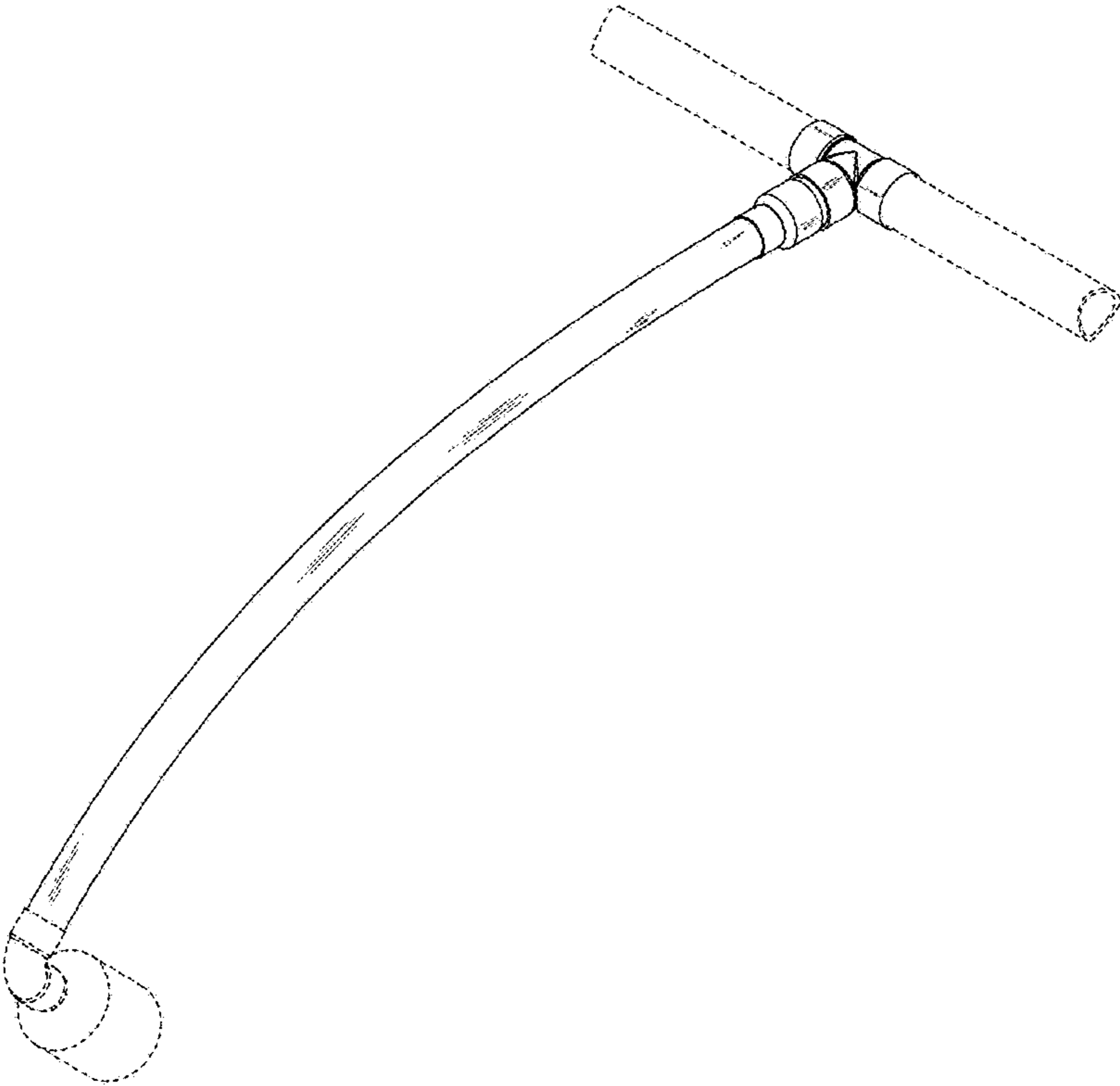


FIG. 1

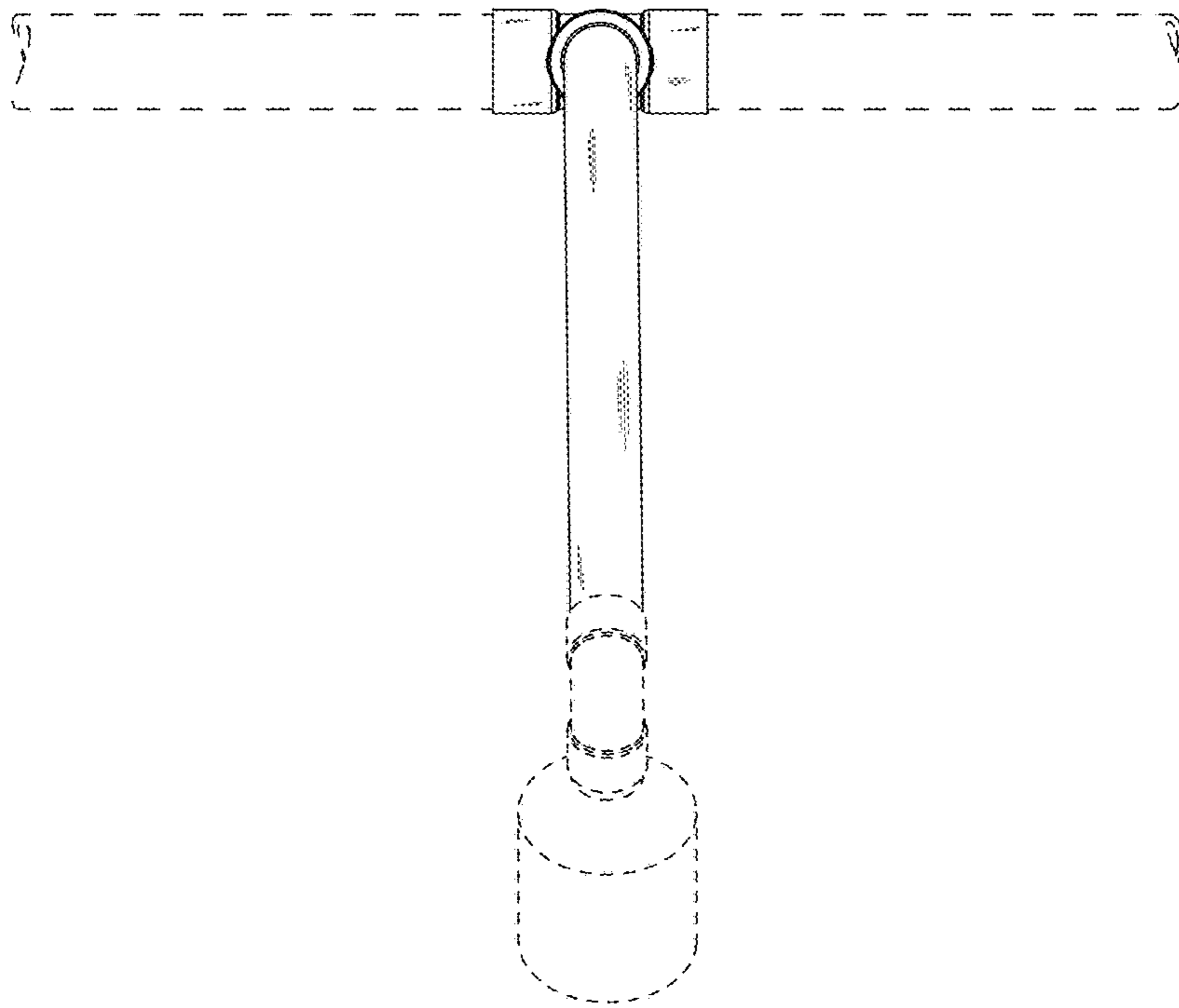


FIG. 2

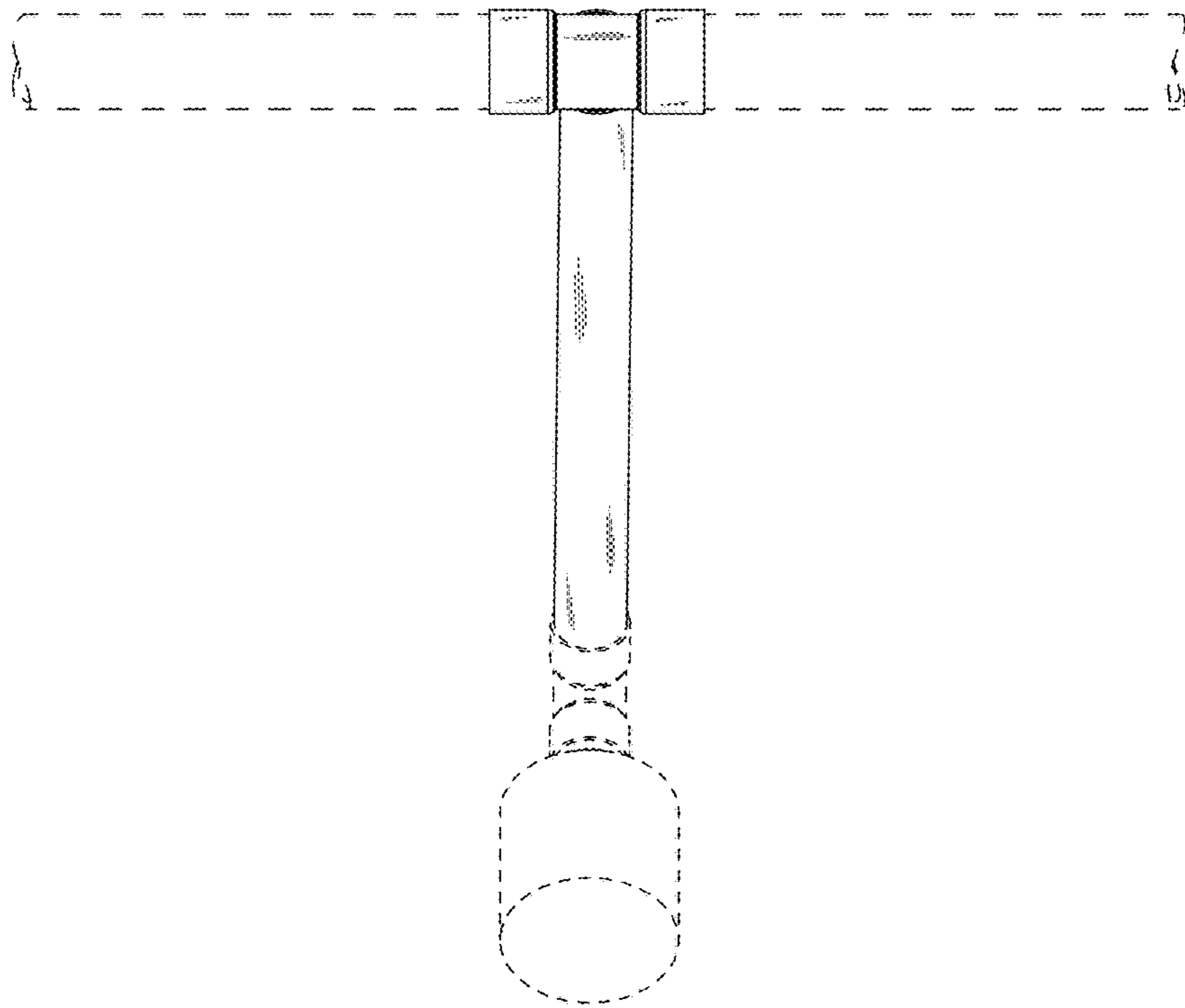


FIG. 3

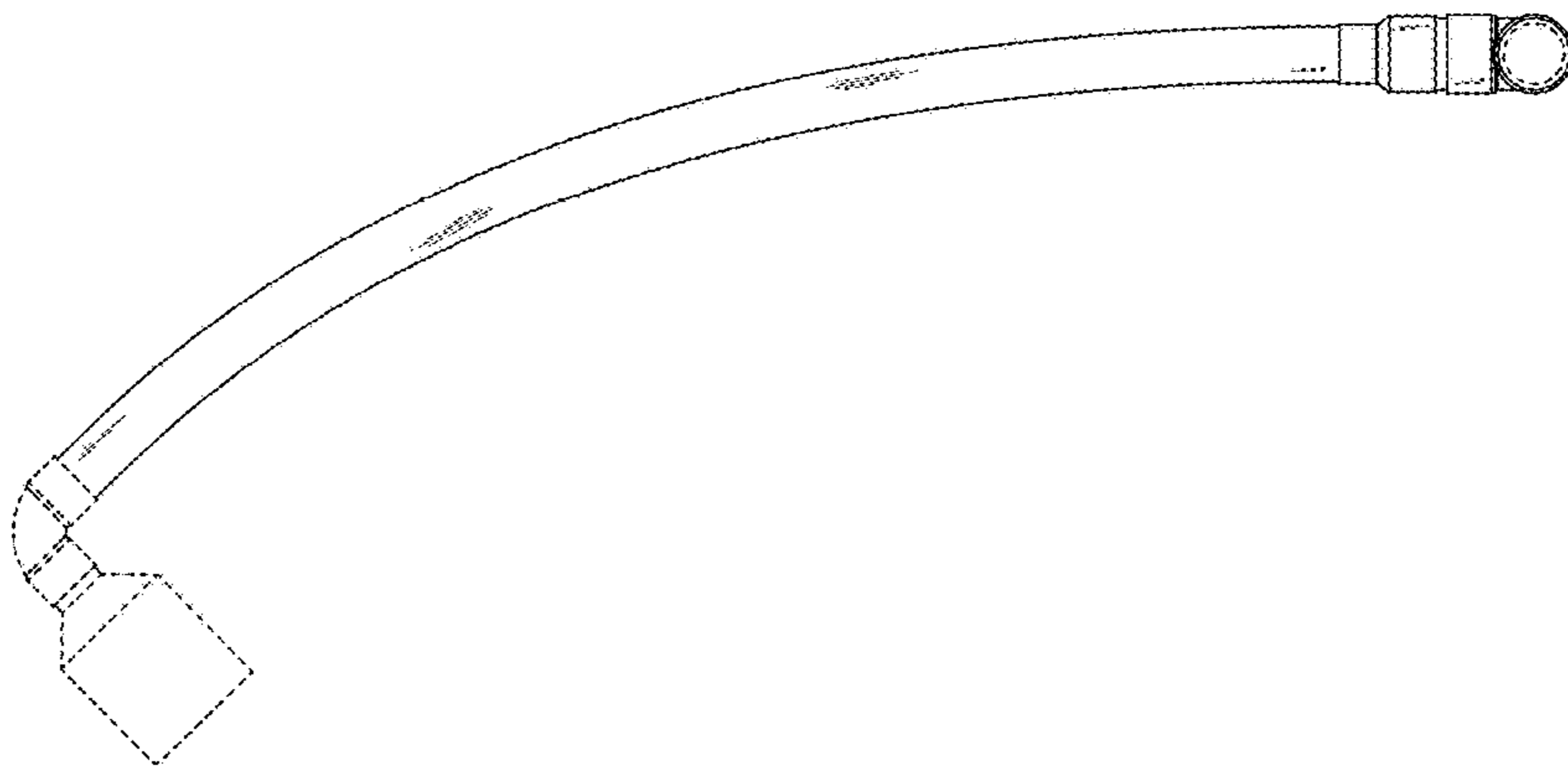


FIG. 4

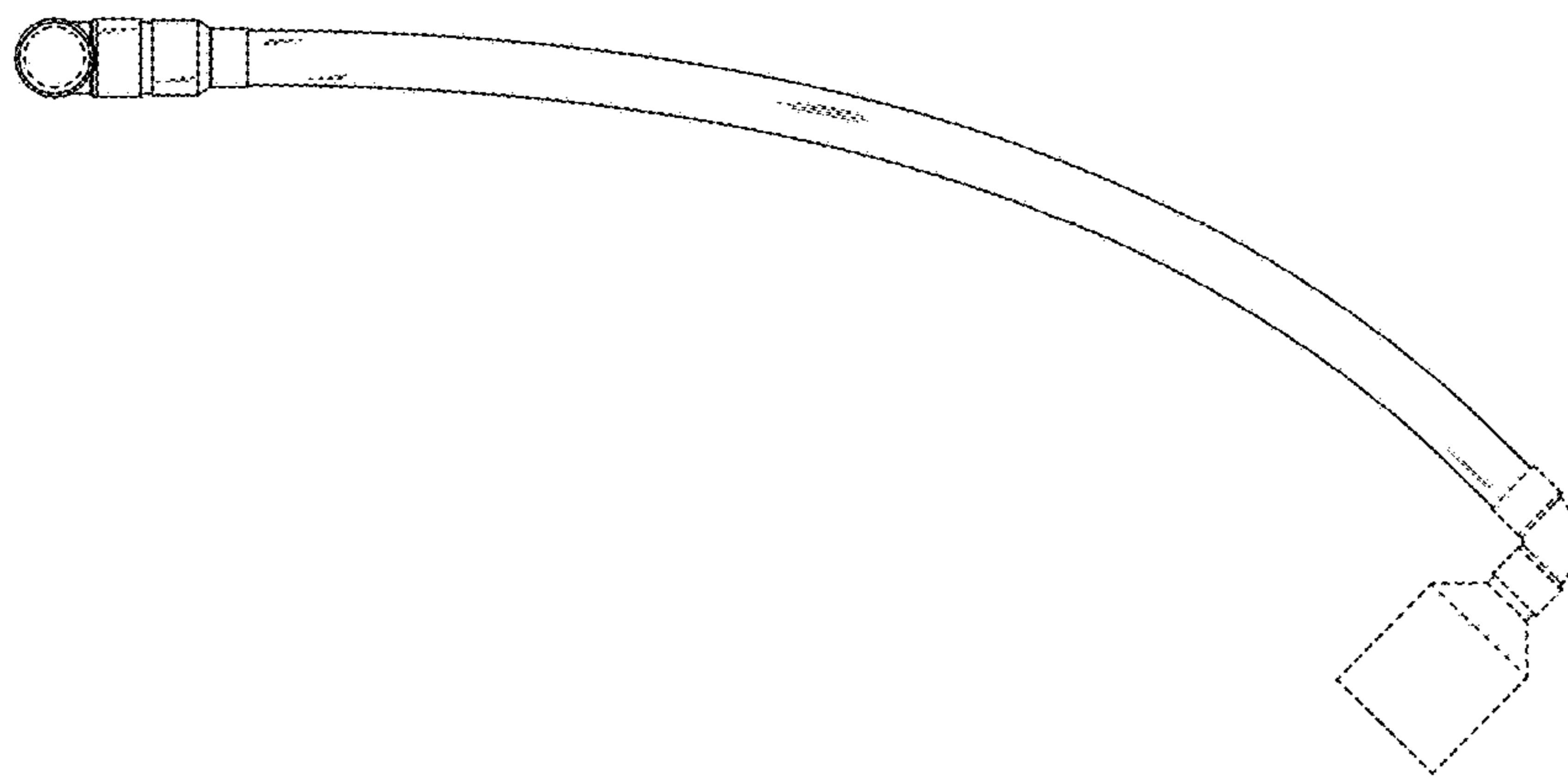


FIG. 5

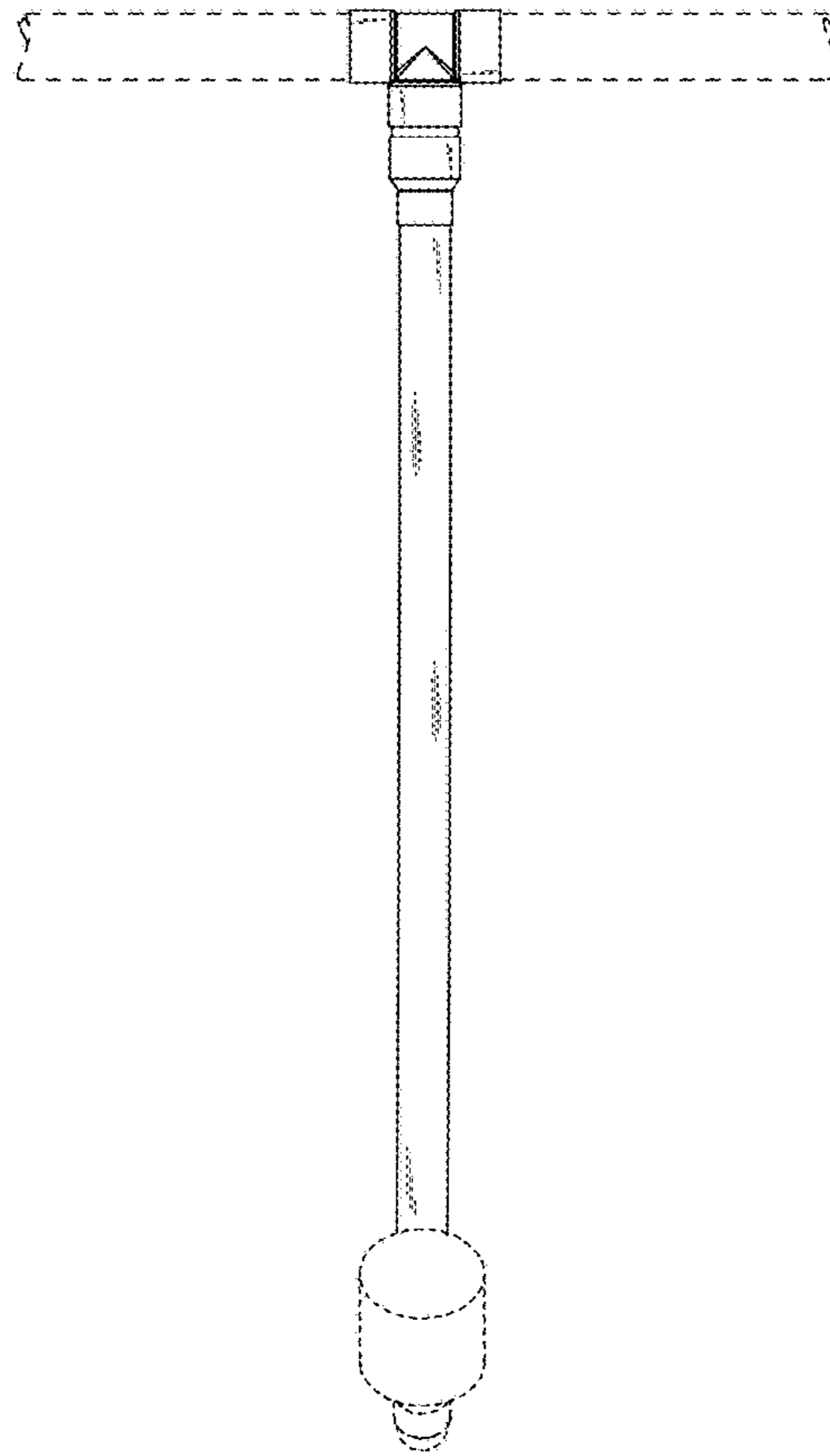


FIG. 6

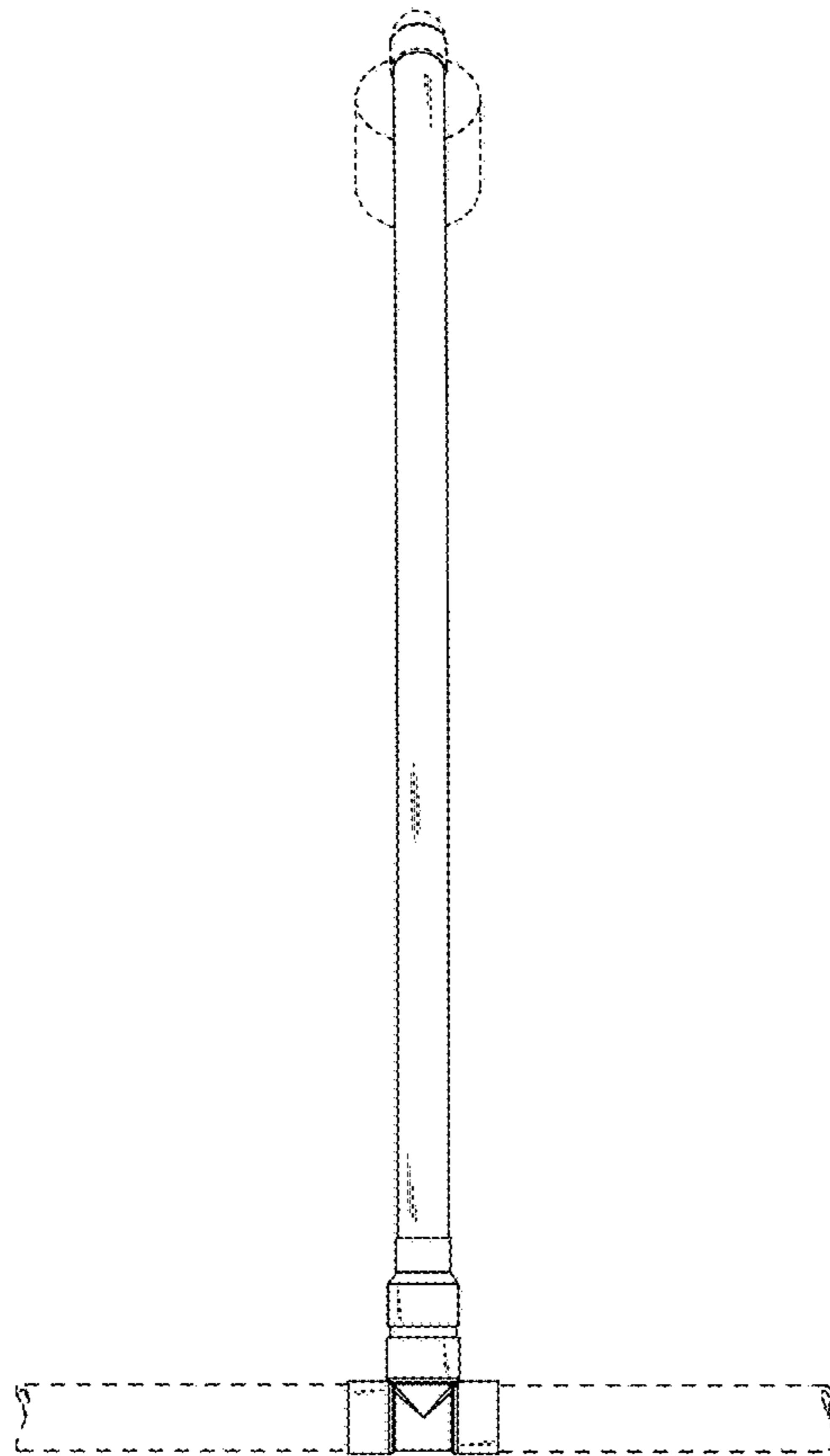


FIG. 7