



US00D853624S

(12) **United States Design Patent** (10) **Patent No.:** **US D853,624 S**
Hargreaves (45) **Date of Patent:** **** Jul. 9, 2019**

(54) **CORNER ADAPTER**

FOREIGN PATENT DOCUMENTS

(71) Applicant: **HGCI, Inc.**, Las Vegas, NV (US)

AU 628170 9/1992
CN 1149434 5/1997

(72) Inventor: **Doug Hargreaves**, Vancouver, WA (US)

(Continued)

(73) Assignee: **HGCI, Inc.**, Las Vegas, NV (US)

OTHER PUBLICATIONS

(**) Term: **15 Years**

Young, Lee W., International Search Report for PCT/US12/00001, dated May 1, 2012.

(21) Appl. No.: **29/596,466**

(Continued)

(22) Filed: **Mar. 8, 2017**

Primary Examiner — Natasha Vujcic
(74) *Attorney, Agent, or Firm* — J. Douglas Wells

(57) **CLAIM**

The ornamental design for a corner adapter, as shown and described.

Related U.S. Application Data

DESCRIPTION

(63) Continuation of application No. 29/509,639, filed on Nov. 19, 2014, now Pat. No. Des. 786,492.

(51) **LOC (11) Cl.** **26-05**

(52) **U.S. Cl.**
USPC **D26/138**

(58) **Field of Classification Search**
USPC D26/76, 78, 79, 80, 81, 82, 83, 85, 86, D26/88, 90, 93, 111, 113, 118, 119, 120, D26/121, 122, 138, 139, 140, 141, 142, D26/152
CPC F21S 2/00; F21S 4/00; F21S 4/003; F21S 4/005; F21S 4/006; F21S 4/007; F21S 4/008; F21S 6/00; F21S 8/00; F21S 8/024; F21S 8/026; F21S 8/031; F21S 8/033; F21S 8/035-037; F21S 8/04; F21S 8/043; F21S 8/063

See application file for complete search history.

FIG. 1 is a perspective view of a corner adapter, as viewed from above;
FIG. 2 is a perspective view of the corner adapter shown in FIG. 1, as viewed from below;
FIG. 3 is a top plan view of the corner adapter shown in FIG. 1;
FIG. 4 is a rear elevation view of the corner adapter shown in FIG. 1;
FIG. 5 is a left side view of the corner adapter shown in FIG. 1;
FIG. 6 is a front elevation view of the corner adapter shown in FIG. 1;
FIG. 7 is a bottom plan view of the corner adapter shown in FIG. 1; and,
FIG. 8 is a perspective view of the corner adapter shown in FIG. 1, as viewed from above and in the context of adjoining components thereto.

The broken-line disclosure shown in the views is understood to represent portions of the article in which the claimed design is embodied, but which form no part of the claimed design.

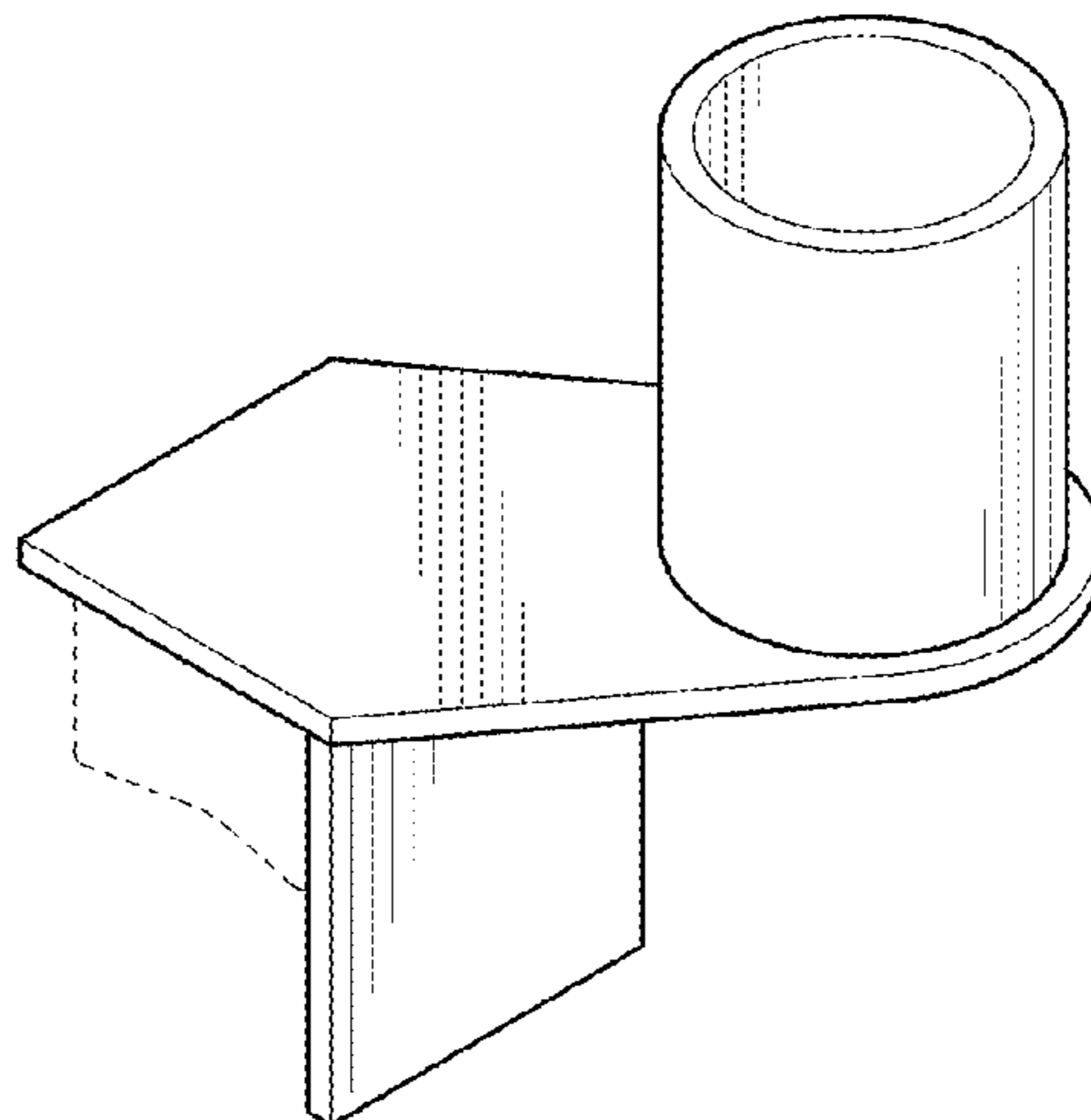
(56) **References Cited**

U.S. PATENT DOCUMENTS

2,695,712 A 11/1954 Kolander
2,794,496 A 6/1957 Strand

(Continued)

1 Claim, 2 Drawing Sheets



(56)

References Cited

U.S. PATENT DOCUMENTS

3,013,670 A 12/1961 Mayer
 3,121,496 A 2/1964 Brunette
 3,172,376 A 3/1965 Havlis
 3,270,997 A 9/1966 Gethmann
 3,502,227 A 3/1970 Konstant
 3,517,828 A 6/1970 Hunter
 3,599,580 A 8/1971 Adair
 3,765,541 A 10/1973 Madey
 3,787,072 A 1/1974 Deboer
 3,865,250 A 2/1975 Jay
 3,919,603 A 11/1975 Salvati
 D238,129 S * 12/1975 Jay D6/691.7
 D240,871 S 8/1976 Herman
 3,997,139 A 12/1976 Young
 4,099,735 A 7/1978 Becket, III
 4,179,169 A 12/1979 Daniels
 D254,994 S 5/1980 Miereanu
 4,419,938 A 12/1983 Kaut
 4,516,376 A 5/1985 King
 D287,446 S * 12/1986 Cowle D8/403
 4,630,550 A 12/1986 Weitzman
 D290,659 S * 6/1987 Patey D26/138
 4,684,087 A 8/1987 Spikard
 4,773,547 A 9/1988 Bell
 4,832,421 A 5/1989 Shoffner
 4,852,832 A * 8/1989 Delaney F16L 3/08
 248/65
 D304,982 S 12/1989 Bush
 4,974,526 A 12/1990 Wiygut
 5,016,765 A 5/1991 Leonardo
 D321,571 S 11/1991 Lucariello
 1,912,847 A 6/1993 Klepel
 5,257,794 A 11/1993 Nakamura
 5,313,725 A 5/1994 DeVassie
 5,335,605 A 8/1994 Drabczyk
 D352,540 S * 11/1994 Harger D21/691
 5,370,245 A 12/1994 Tersch
 D359,379 S * 6/1995 Haviland D26/140
 5,437,165 A 8/1995 White
 5,517,928 A 5/1996 Erdman
 5,527,103 A 6/1996 Pittman
 5,531,464 A 7/1996 Maurer
 5,579,703 A 12/1996 King
 5,645,331 A 7/1997 Eddy
 5,675,932 A 10/1997 Mauney
 5,678,706 A 10/1997 Husak
 5,715,956 A 2/1998 Yoshida
 5,813,737 A 9/1998 Stone
 5,931,019 A 8/1999 White
 5,941,183 A 8/1999 Ming-Shun
 5,943,968 A 8/1999 Dobson
 5,954,412 A 9/1999 Rutherford
 6,027,000 A 2/2000 Sterzel
 6,073,320 A 6/2000 Salatin
 6,135,299 A 10/2000 Burgess
 6,189,363 B1 2/2001 Lai
 6,205,738 B1 3/2001 Chen
 6,213,333 B1 4/2001 Icard
 6,454,261 B2 9/2002 Ohira
 6,550,791 B2 4/2003 Ramsey
 6,581,221 B2 6/2003 Rosenquist
 6,651,456 B1 11/2003 White
 6,811,163 B1 11/2004 Gurule
 6,902,074 B2 6/2005 Albrecht
 D507,072 S * 7/2005 Gantenbrink D26/140
 6,948,435 B1 9/2005 Sheng
 6,969,077 B2 11/2005 Liu
 D516,240 S * 2/2006 Gantenbrink D26/140
 7,055,834 B1 6/2006 White

7,152,749 B2 12/2006 Beck
 7,165,749 B2 1/2007 Venzia
 D568,550 S 5/2008 Totty
 7,438,195 B2 10/2008 Beck
 D613,900 S 4/2010 Hargreaves
 7,770,323 B2 8/2010 Kim
 D623,344 S * 9/2010 Tsai D26/138
 7,823,324 B2 11/2010 Townsley
 D636,038 S * 4/2011 Henniger D21/691
 7,975,428 B2 7/2011 Townsley
 D644,185 S 8/2011 Hargreaves
 8,166,700 B2 5/2012 Townsley
 8,438,779 B2 5/2013 Townsley
 D696,796 S 12/2013 Macura
 8,671,644 B2 3/2014 Huang
 D704,045 S * 5/2014 Lavelle D8/403
 8,714,498 B2 5/2014 Ortega
 D708,933 S 7/2014 Kats
 D719,289 S 12/2014 Sorensen
 9,084,478 B2 7/2015 Ortega
 D736,062 S 8/2015 Ertel
 D737,256 S 8/2015 Harvey
 D756,690 S * 5/2016 Ortega A47B 13/06
 D6/675
 D758,646 S 6/2016 Reynolds
 D760,942 S 7/2016 Blum
 9,468,288 B2 10/2016 Hargreaves
 D772,475 S * 11/2016 Sonneman D26/138
 D779,437 S * 2/2017 Sonneman D13/146
 D786,492 S * 5/2017 Hargreaves D26/138
 D789,596 S * 6/2017 Sonneman D26/138
 D792,018 S * 7/2017 Sonneman D26/138
 D797,988 S * 9/2017 Sonneman D26/138
 D801,576 S * 10/2017 Sonneman D26/138
 D829,368 S * 9/2018 Hynek D26/138
 2007/0095770 A1 5/2007 Backofen
 2008/0191538 A1 8/2008 Berg
 2009/0284111 A1 11/2009 Hazzard
 2010/0313474 A1 12/2010 Williams
 2012/0199707 A1 8/2012 Ortega
 2015/0320200 A1 11/2015 Ortega
 2016/0014979 A1 1/2016 Hargreaves

FOREIGN PATENT DOCUMENTS

CN 101505585 8/2009
 CN 201830709 5/2011
 WO 2013019268 2/2013

OTHER PUBLICATIONS

Chinese Patent Office, Translation of Chinese Office Action for CN 201280018267.2.
 AquaticLife Light Fixture Hanger (2pk), Premium Aquatics, premiumaquatics.com/products/aquaticlife-light-fixture-hanger-2-pk.html, accessed Apr. 8, 2016.
 Sun Stand 2 Grow Light Hanger, Grow Light Supply, www.growlightsupply.com/index.php?main_page=product_info&products_id=389, accessed Apr. 8, 2016.
 24"-26" inch frame hanger for EVERGROW TT-AL09 165w Dimmable Led Aquarium Lights Aquarium Hoods Led Reef Light for Coral Fish Seaweed, 5 Gallon Fish Tanks, fivegallon.fishtank.com/product/24-36inch-frame-hanger-for=evergrow=tt-al09-165w-dimmable-led-aquarium-lights-aquarium-hoods-led-reef-light-for-coral . . . , accessed Apr. 8, 2016.
 Assembly Instructions for HGSFT24—Active Aqua 2'x4' Flood Tray Stand and HGSFT44—Active Aqua 4'x4' Flood Tray Stand, Hydrofarm, Oct. 2011.

* cited by examiner

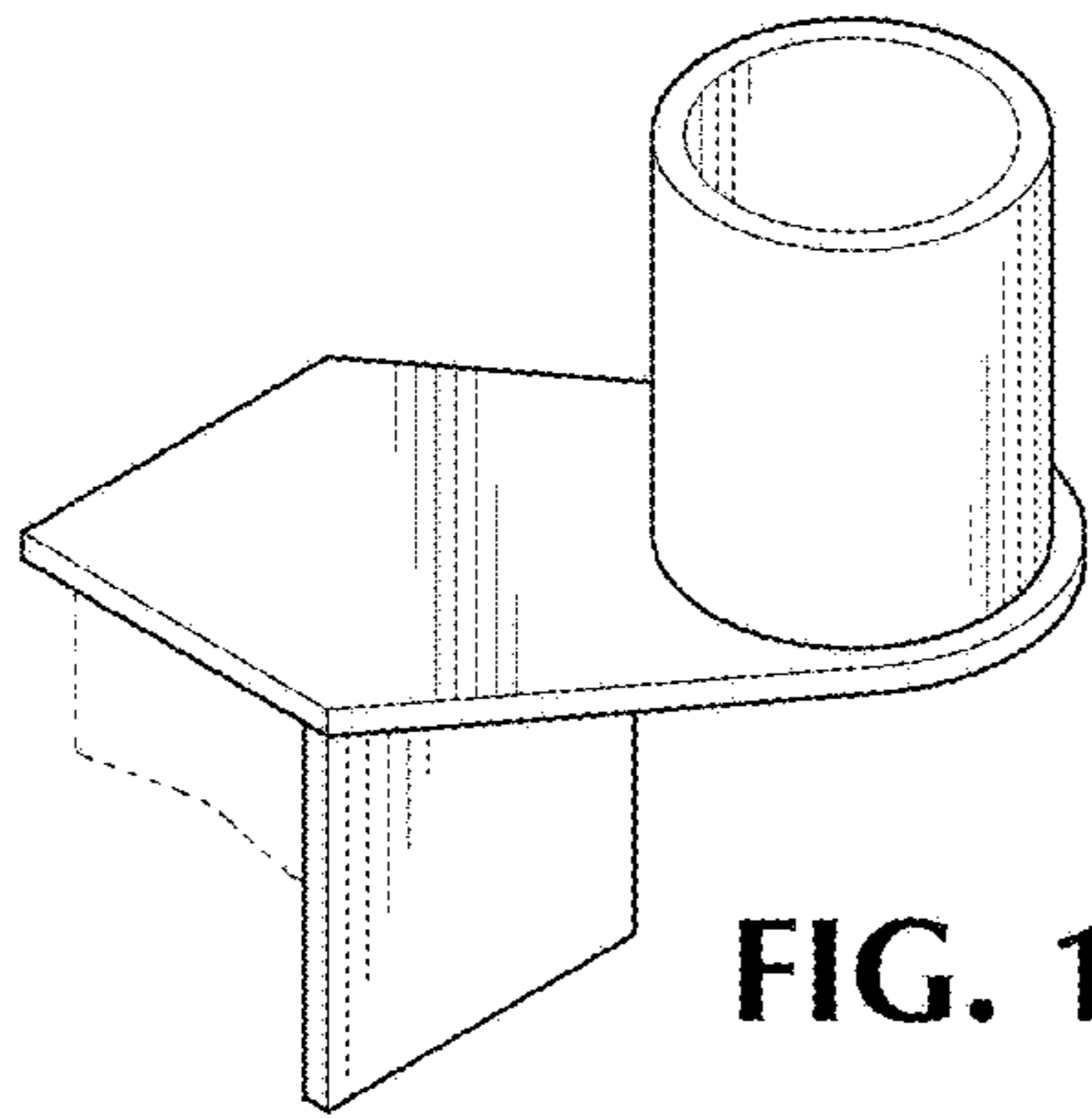


FIG. 1

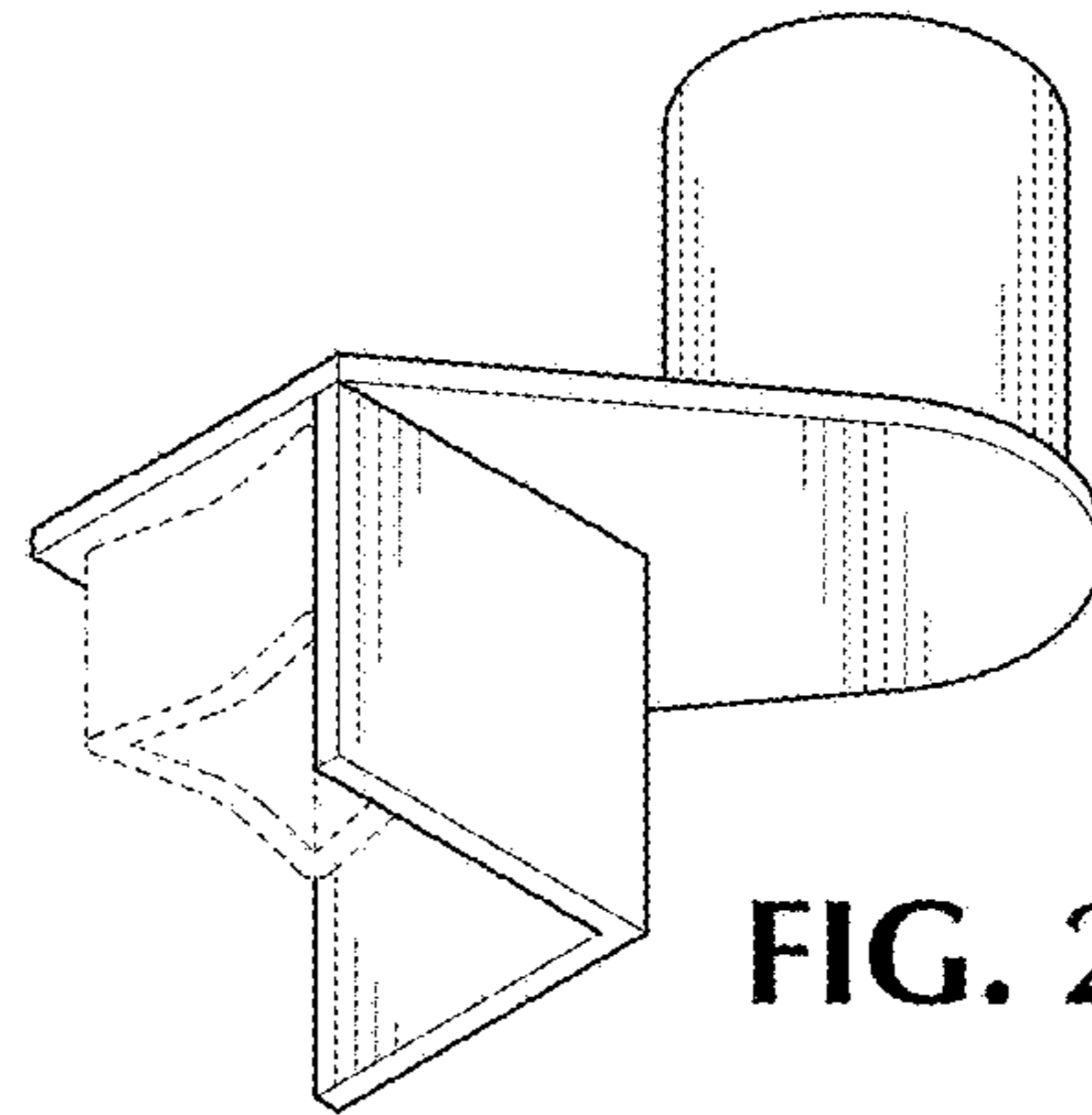


FIG. 2

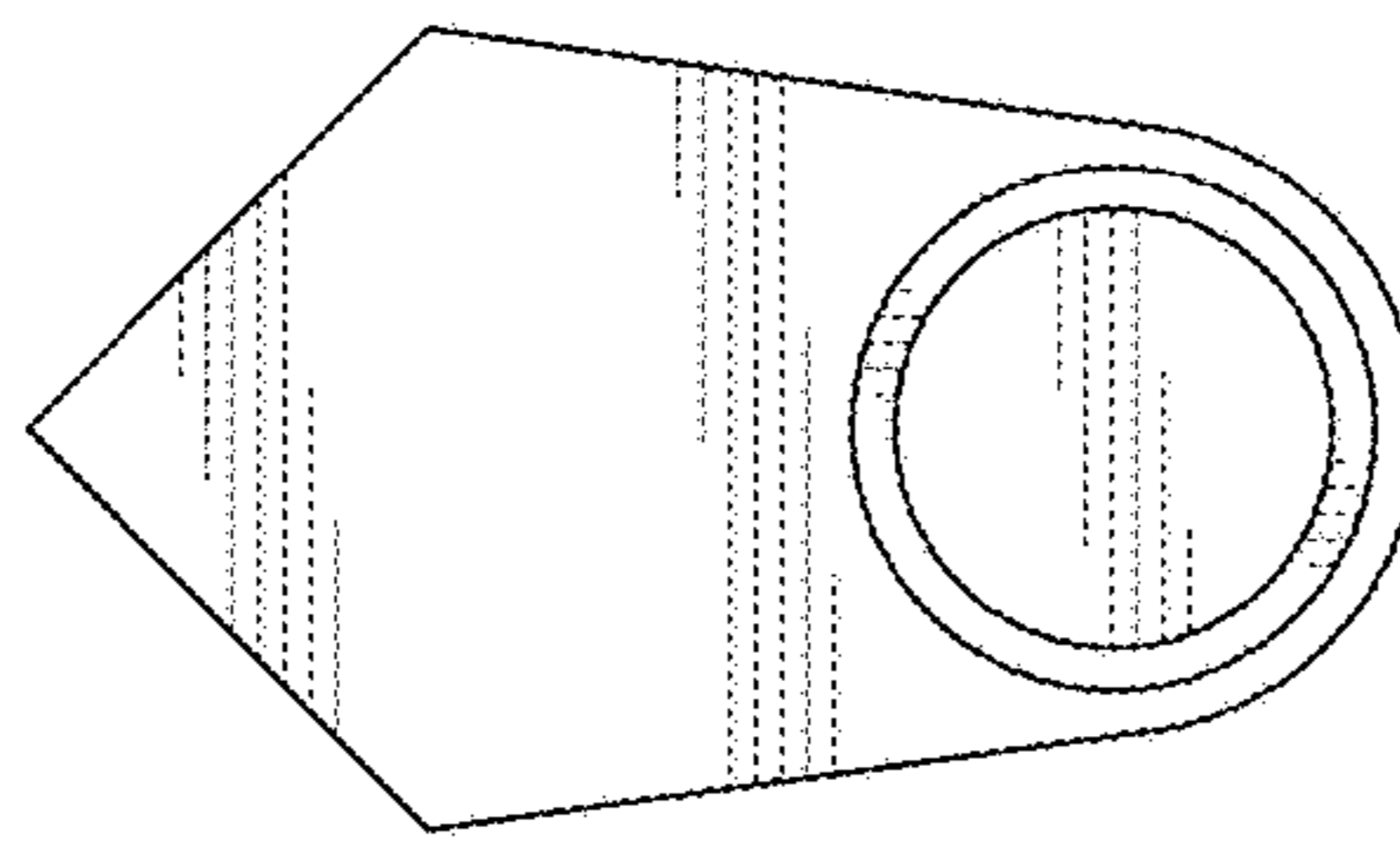


FIG. 3

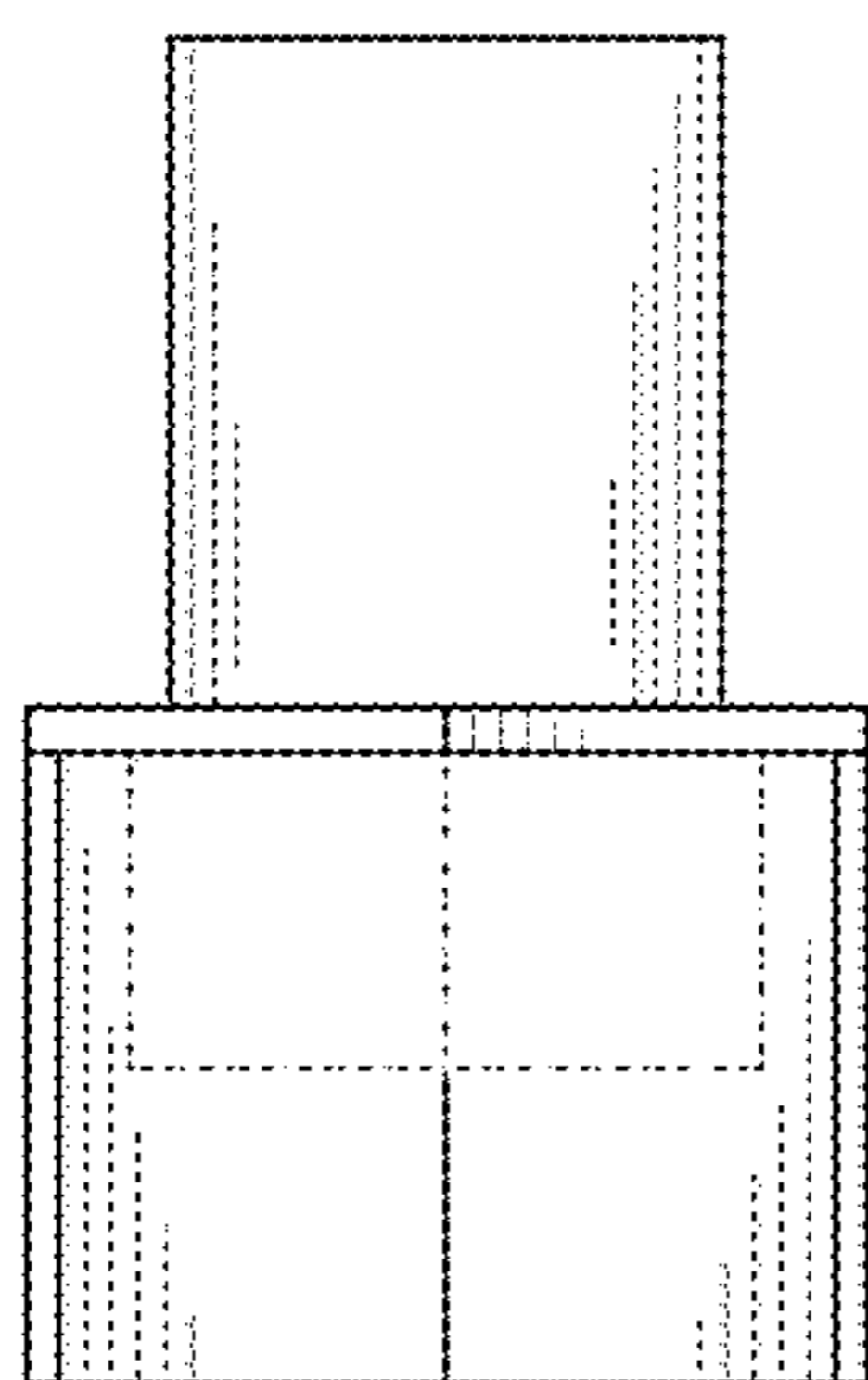


FIG. 4

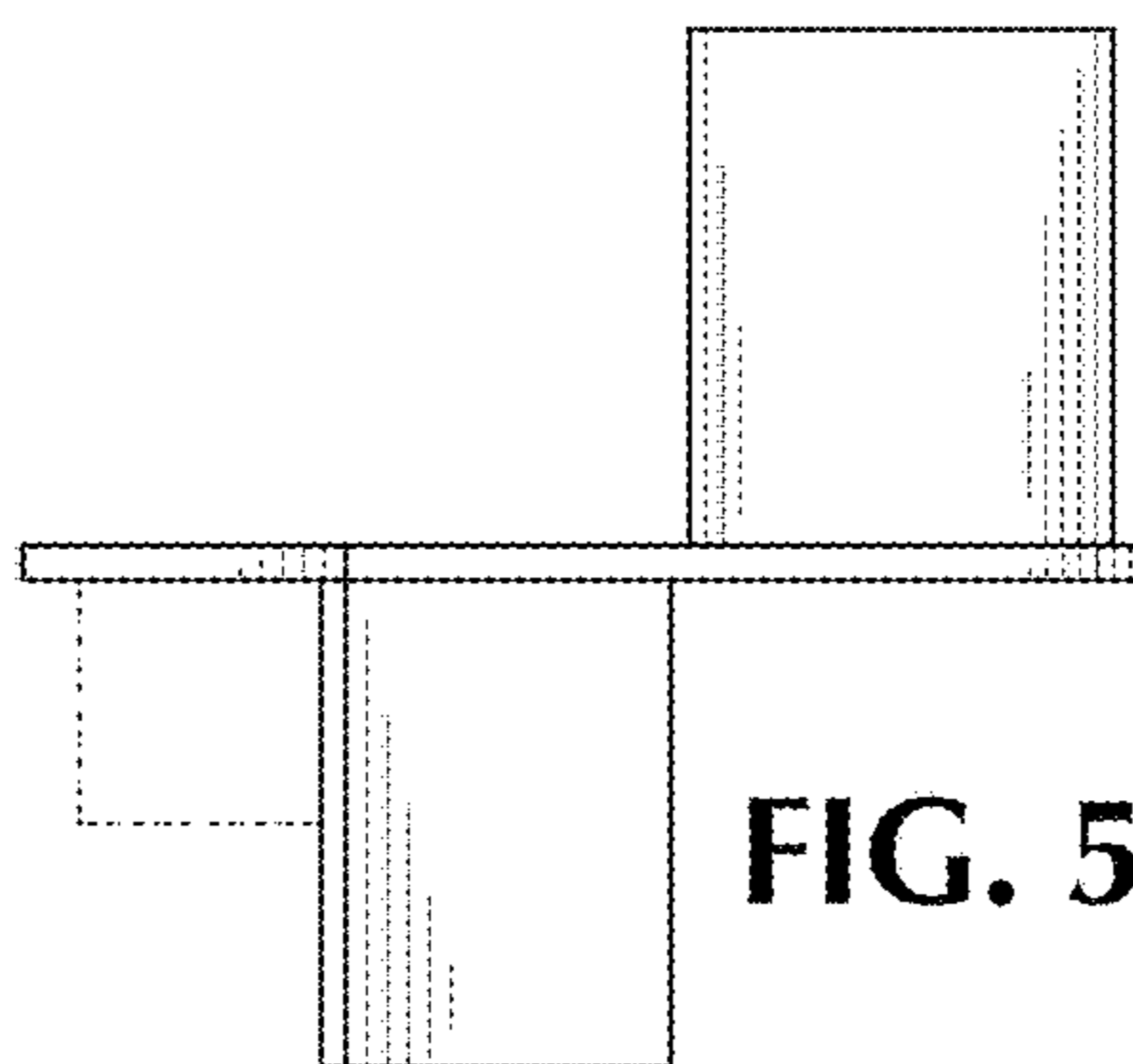


FIG. 5

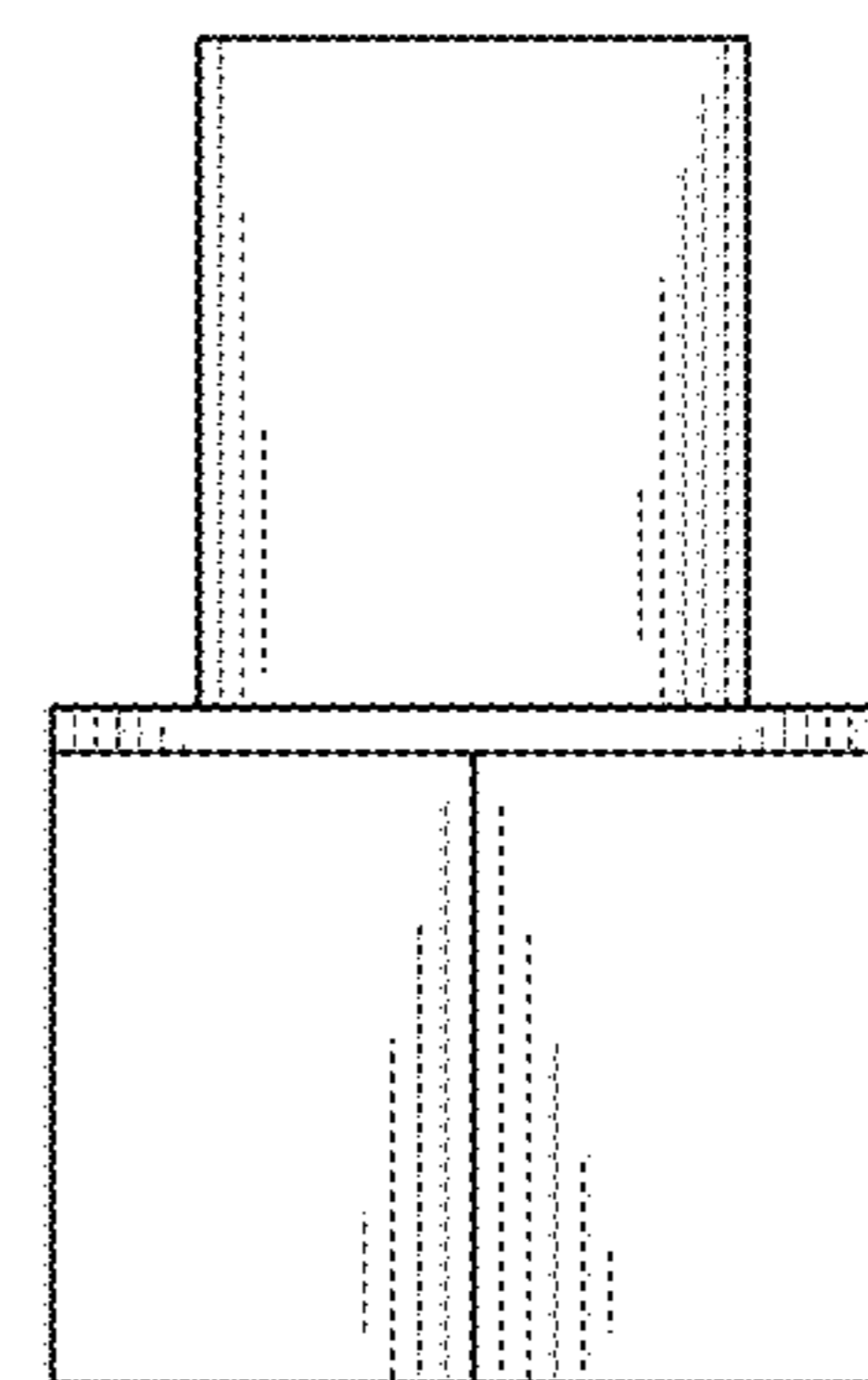


FIG. 6

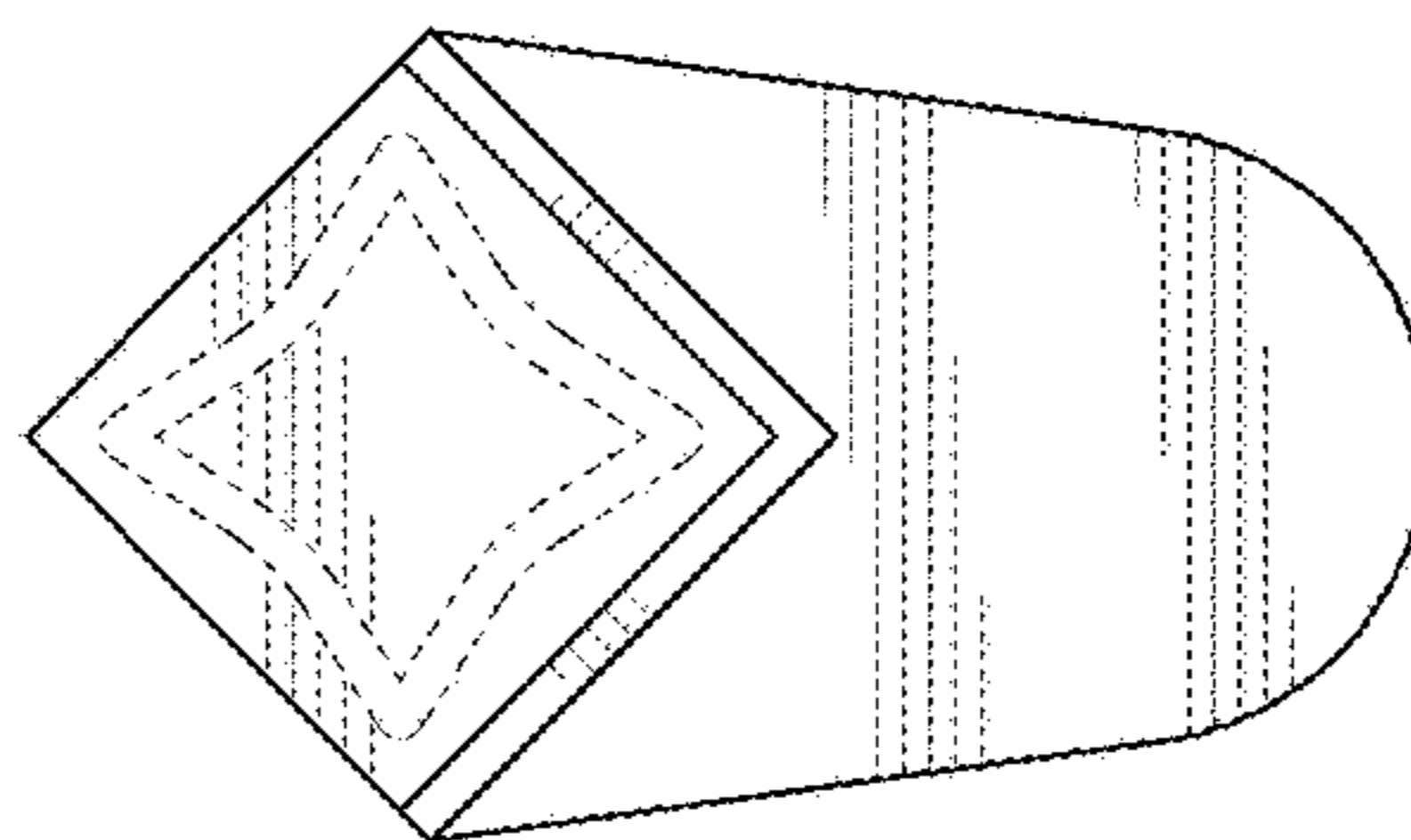


FIG. 7

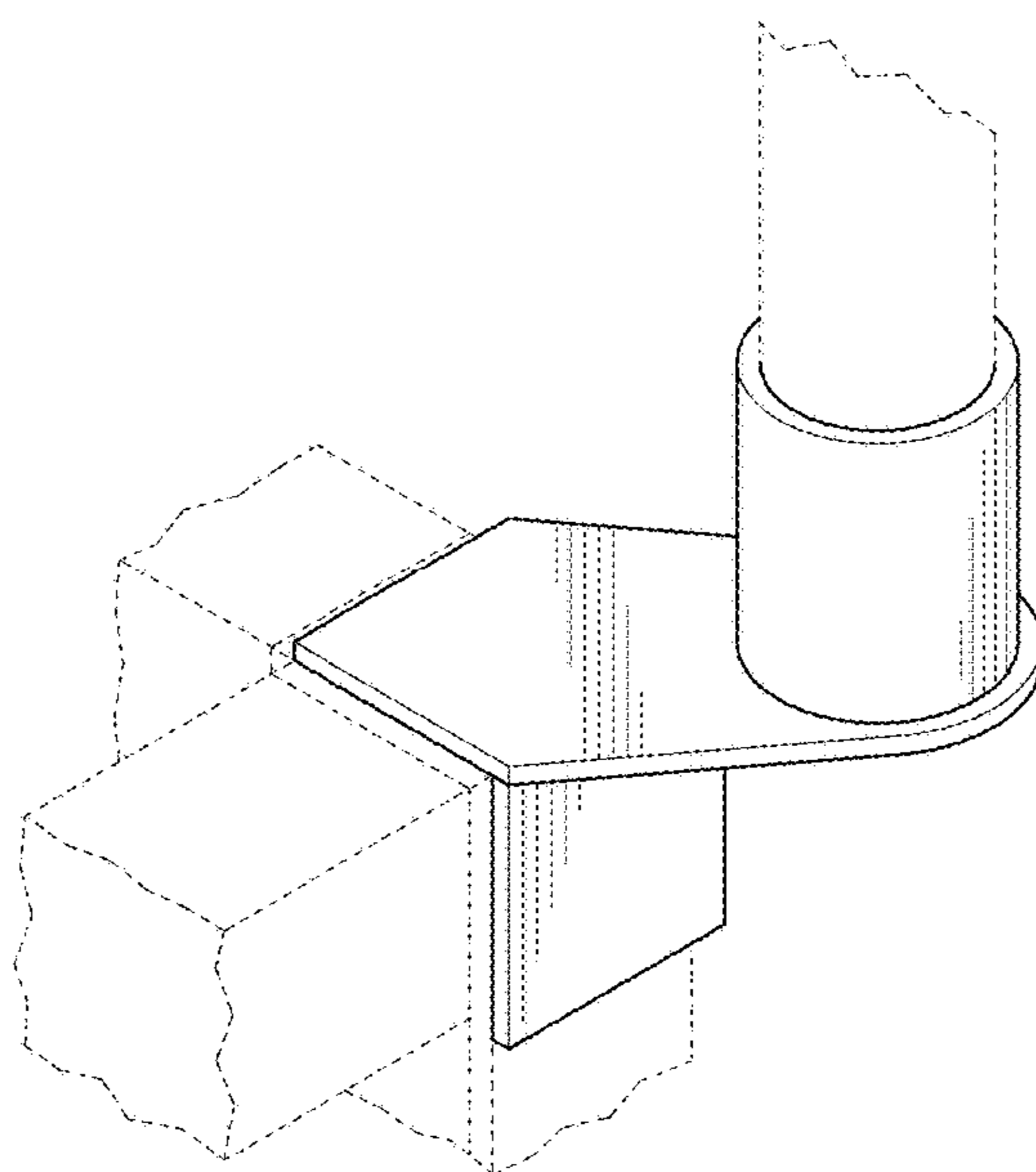


FIG. 8