



US00D853623S

(12) **United States Design Patent**
Paredes

(10) **Patent No.:** **US D853,623 S**

(45) **Date of Patent:** **** Jul. 9, 2019**

(54) **SECURITY LIGHT**

(71) Applicant: **HeathCo LLC**, Bowling Green, KY
(US)

(72) Inventor: **Apollo Paul Paredes**, Livonia, MI (US)

(73) Assignee: **HEATHCO LLC**, Bowling Green, KY
(US)

(**) Term: **15 Years**

(21) Appl. No.: **29/628,803**

(22) Filed: **Dec. 7, 2017**

(51) **LOC (11) Cl.** **26-99**

(52) **U.S. Cl.**
USPC **D26/118**

(58) **Field of Classification Search**
USPC D26/24, 51, 61, 63, 65, 72, 80, 118, 120,
D26/128
CPC F21S 8/04; F21S 8/00; F21V 21/00; F21V
17/02; F21V 14/02; F21V 21/30; F21V
21/14; F21V 21/26; F21W 2131/10
See application file for complete search history.

(56) **References Cited**

U.S. PATENT DOCUMENTS

5,410,461	A	4/1995	Petzl	
6,100,803	A	8/2000	Chang	
7,934,854	B2	5/2011	Anglikowski et al.	
D670,022	S *	10/2012	Green	D26/128
8,461,991	B2	6/2013	Botha	
D708,388	S *	7/2014	Lee	D26/120
8,901,825	B2	12/2014	Reed	
D759,291	S *	6/2016	Chen	D26/120
D761,474	S *	7/2016	Chen	D26/65
9,402,294	B2	7/2016	Holland et al.	
D764,700	S *	8/2016	Chen	D26/118
D781,481	S *	3/2017	Chen	D26/65
D784,589	S *	4/2017	Chen	D26/65

9,618,174	B2	4/2017	Jungwirth et al.	
D804,075	S *	11/2017	Fang	D26/65
D821,021	S *	6/2018	Chen	D26/120

(Continued)

FOREIGN PATENT DOCUMENTS

CN	202091955	2/2011
CN	10475176	10/2014
CN	104075196	10/2014

Primary Examiner — Brian N. Vinson

(74) *Attorney, Agent, or Firm* — Middleton Reutlinger

(57) **CLAIM**

The ornamental design for a security light, as shown and described.

DESCRIPTION

FIG. 1 is a higher perspective view of a first embodiment of a security light showing the new design in a non-deployed configuration;

FIG. 2 is a rear perspective view of the security light design of FIG. 1;

FIG. 3 is a front view of the security light design of FIG. 1;

FIG. 4 is a rear view of the security light design of FIG. 1;

FIG. 5 is a left side view of the security light design of FIG. 1;

FIG. 6 is a right side view of the security light design of FIG. 1;

FIG. 7 is a top view of the security light design of FIG. 1;

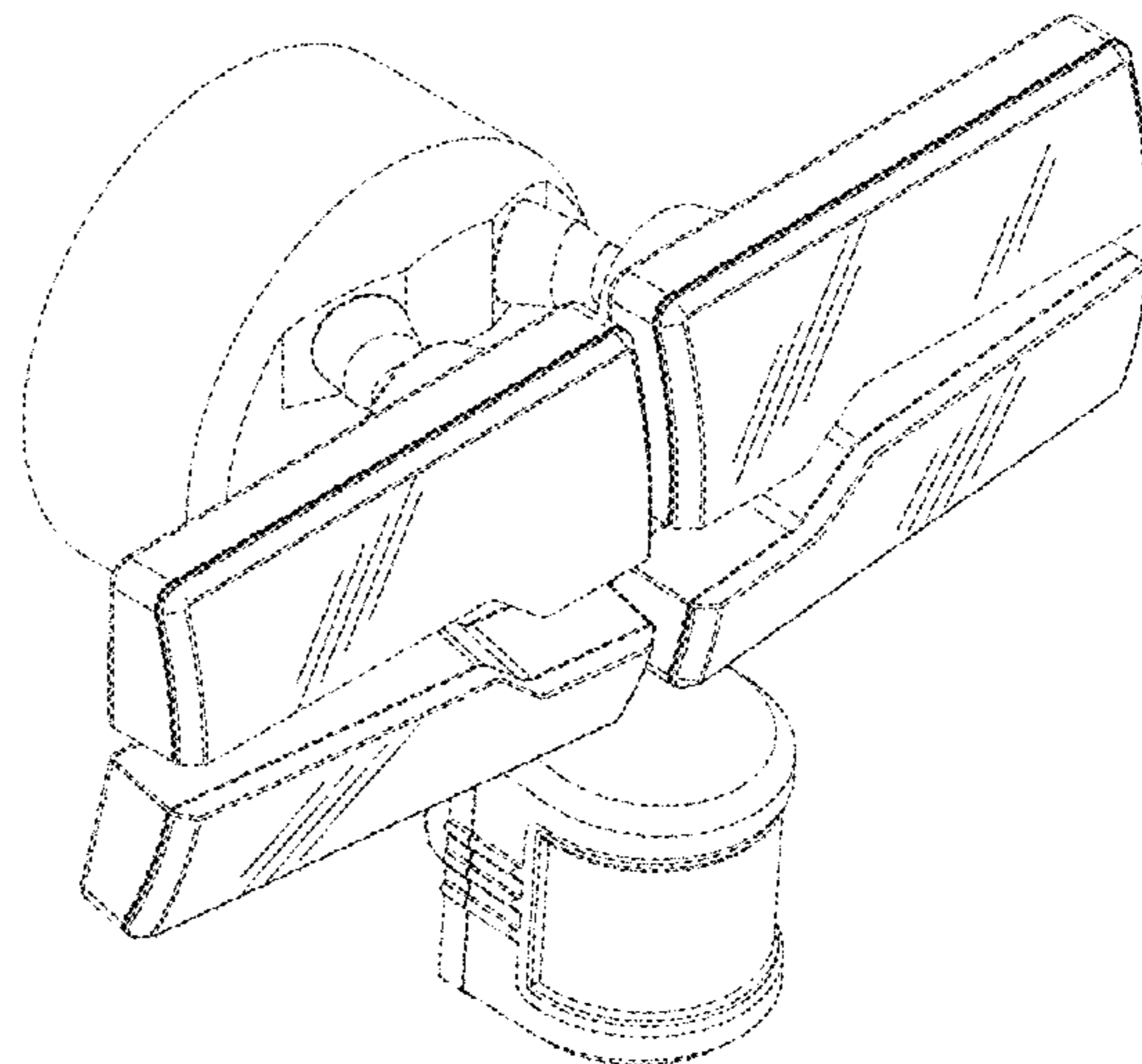
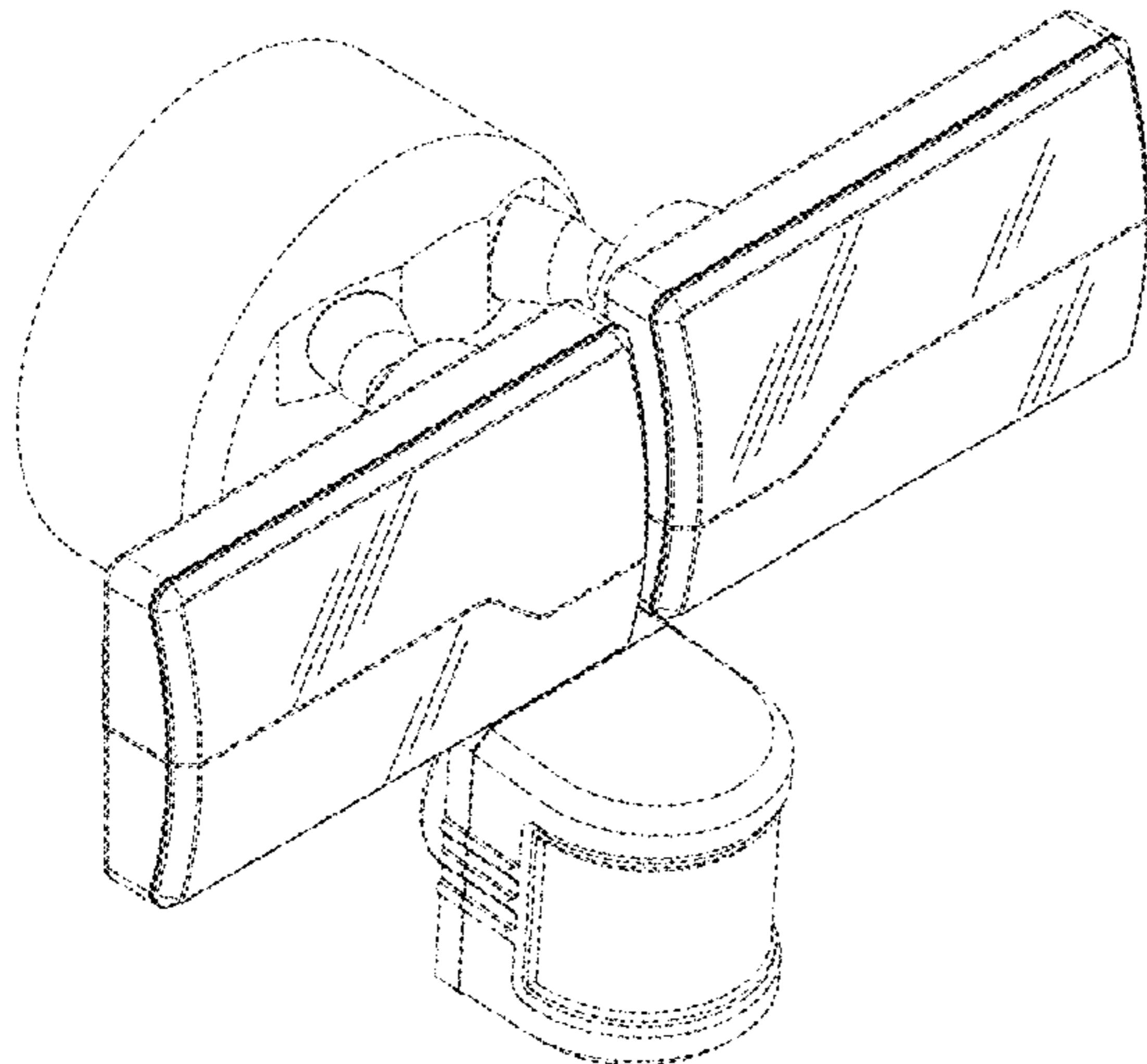
FIG. 8 is a bottom view of the security light design of FIG. 1;

FIG. 9 is a higher perspective view of the security light design of FIG. 1 in a deployed configuration; and,

FIG. 10 is a lower perspective view of the security light design of FIG. 9.

The broken lines represent unclaimed portions of the security light.

1 Claim, 10 Drawing Sheets



(56)

References Cited

U.S. PATENT DOCUMENTS

2015/0131285 A1 5/2015 Lee
2017/0003008 A1 1/2017 Ito
2017/0184289 A1 6/2017 Nolan et al.

* cited by examiner

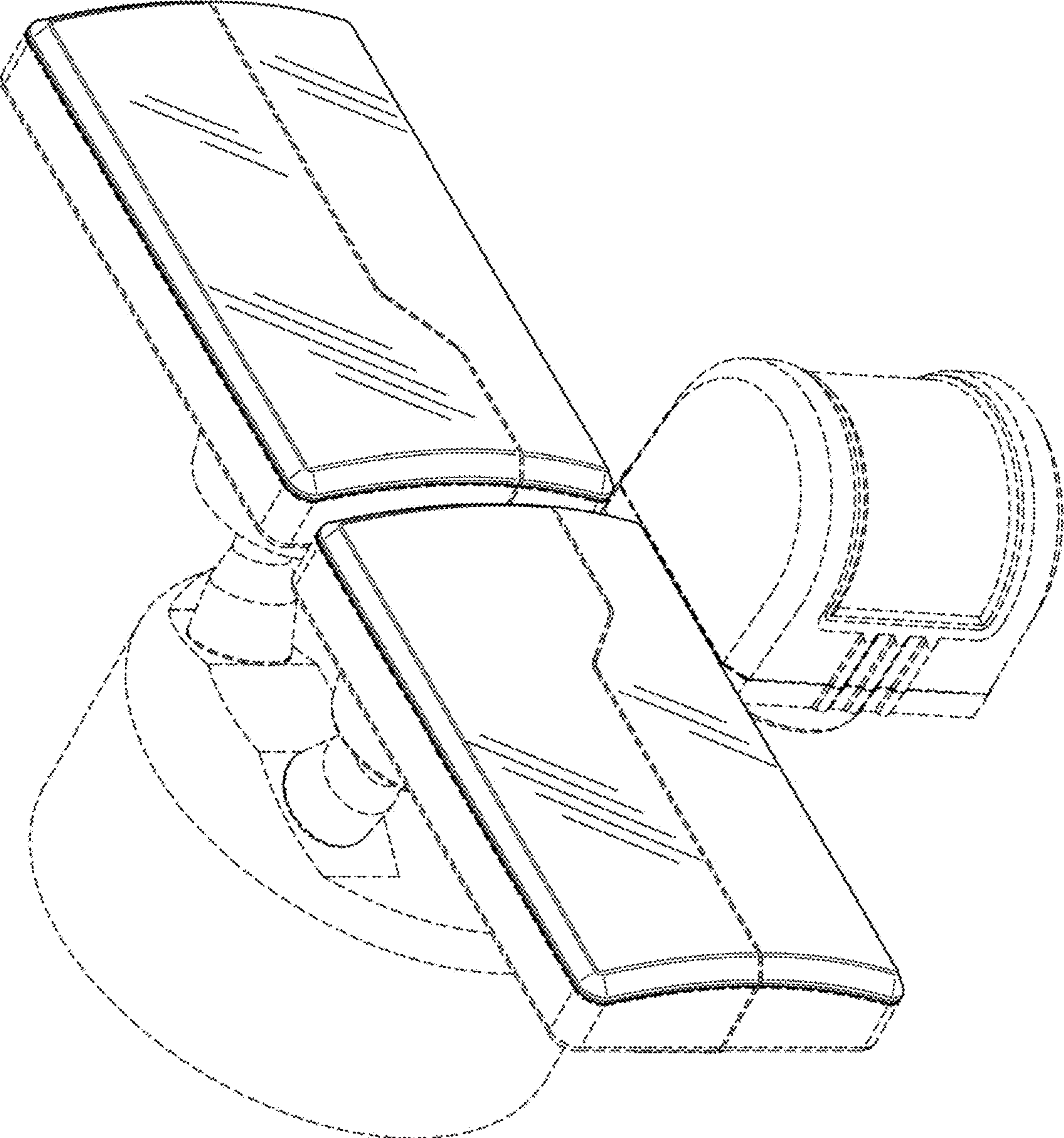


FIG. 1

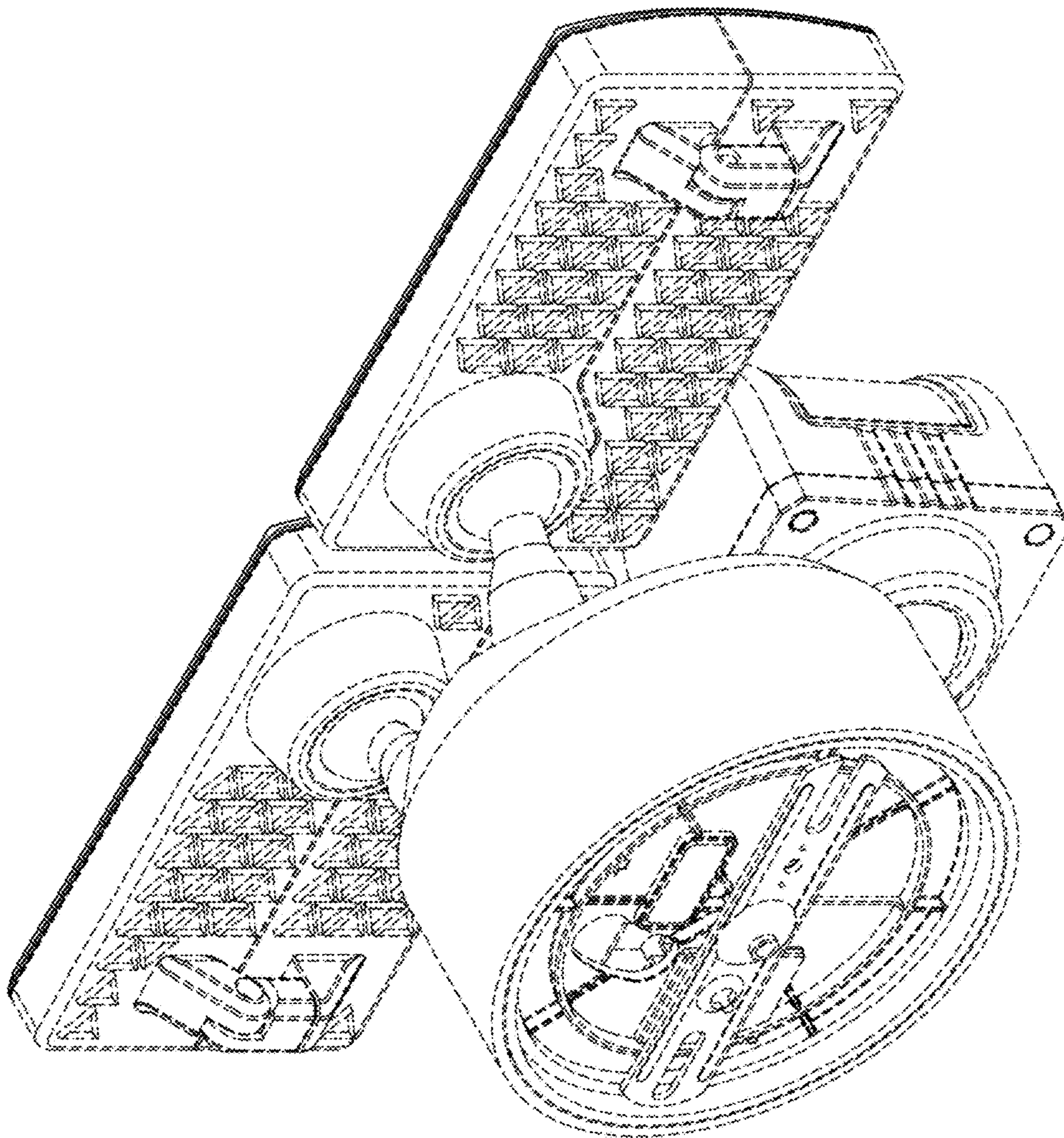


FIG. 2

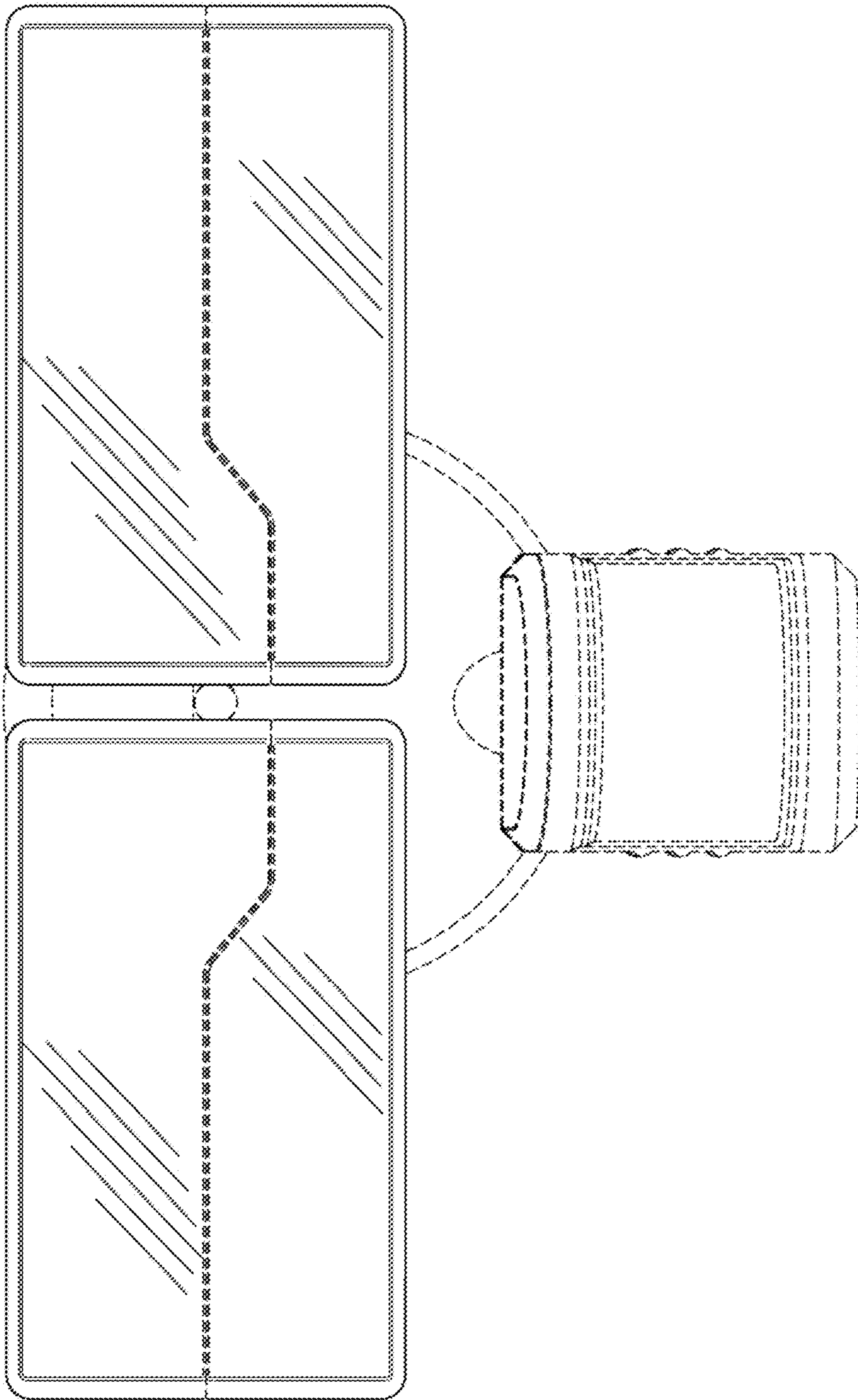


FIG. 3

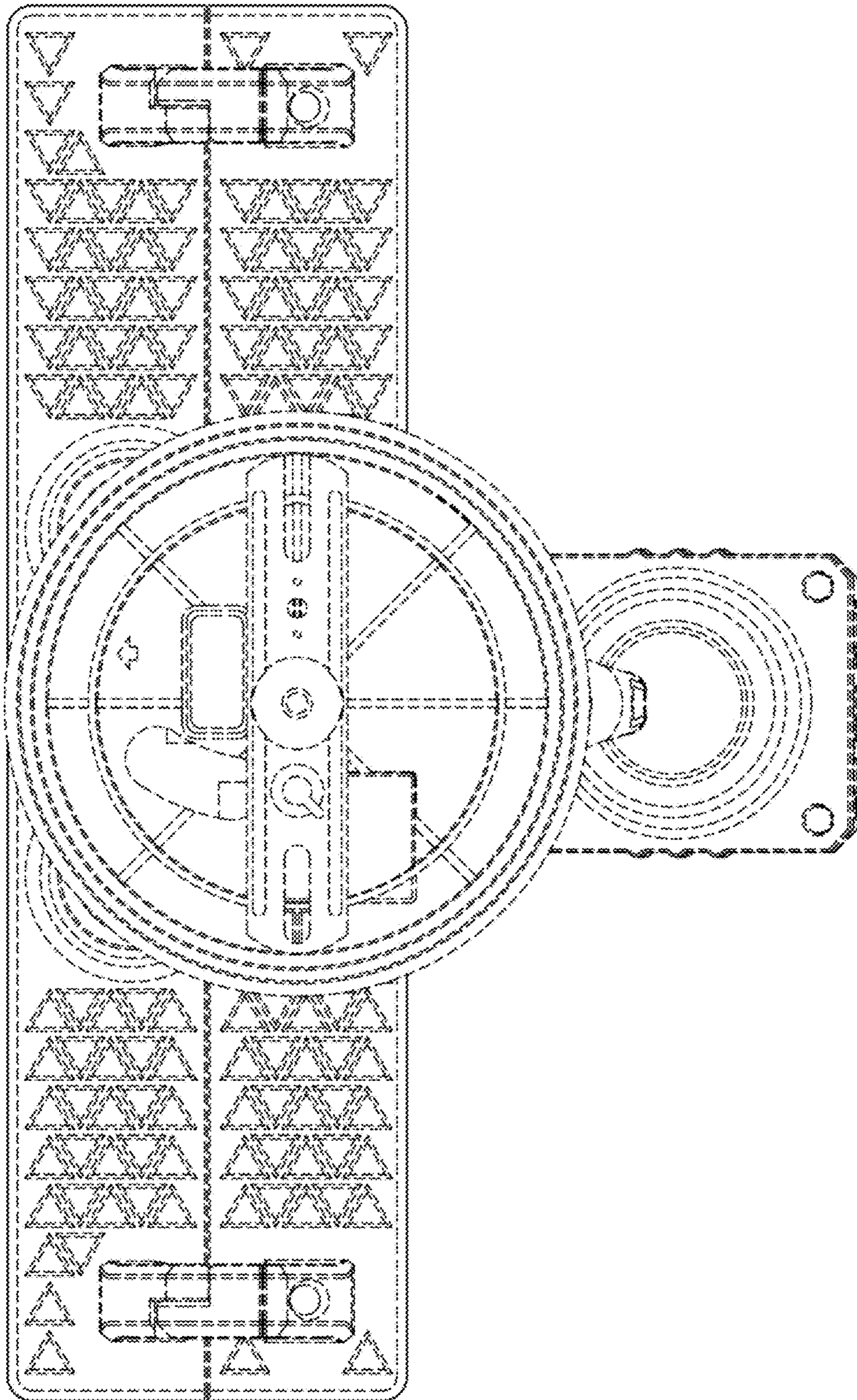


FIG. 4

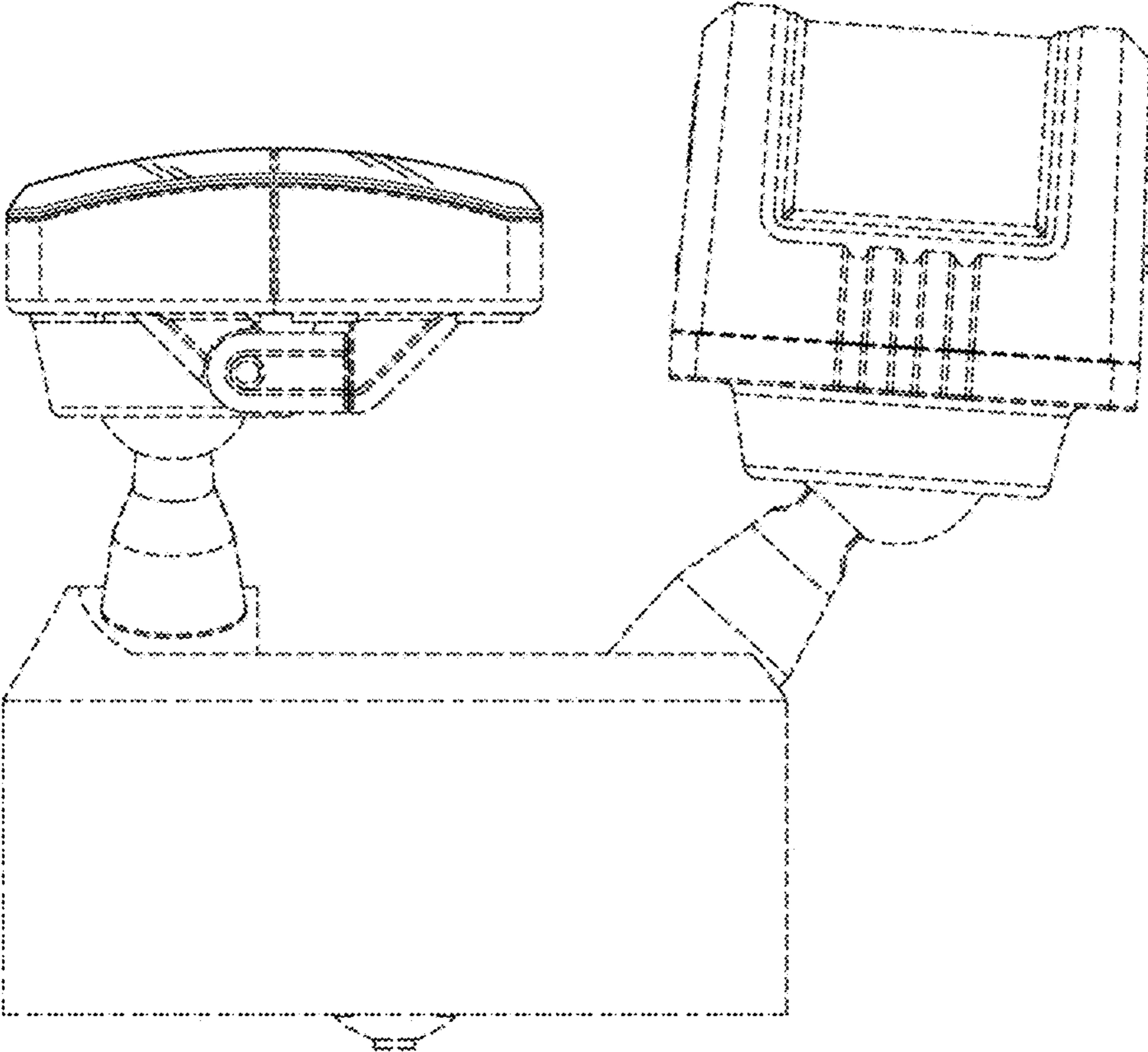


FIG. 5

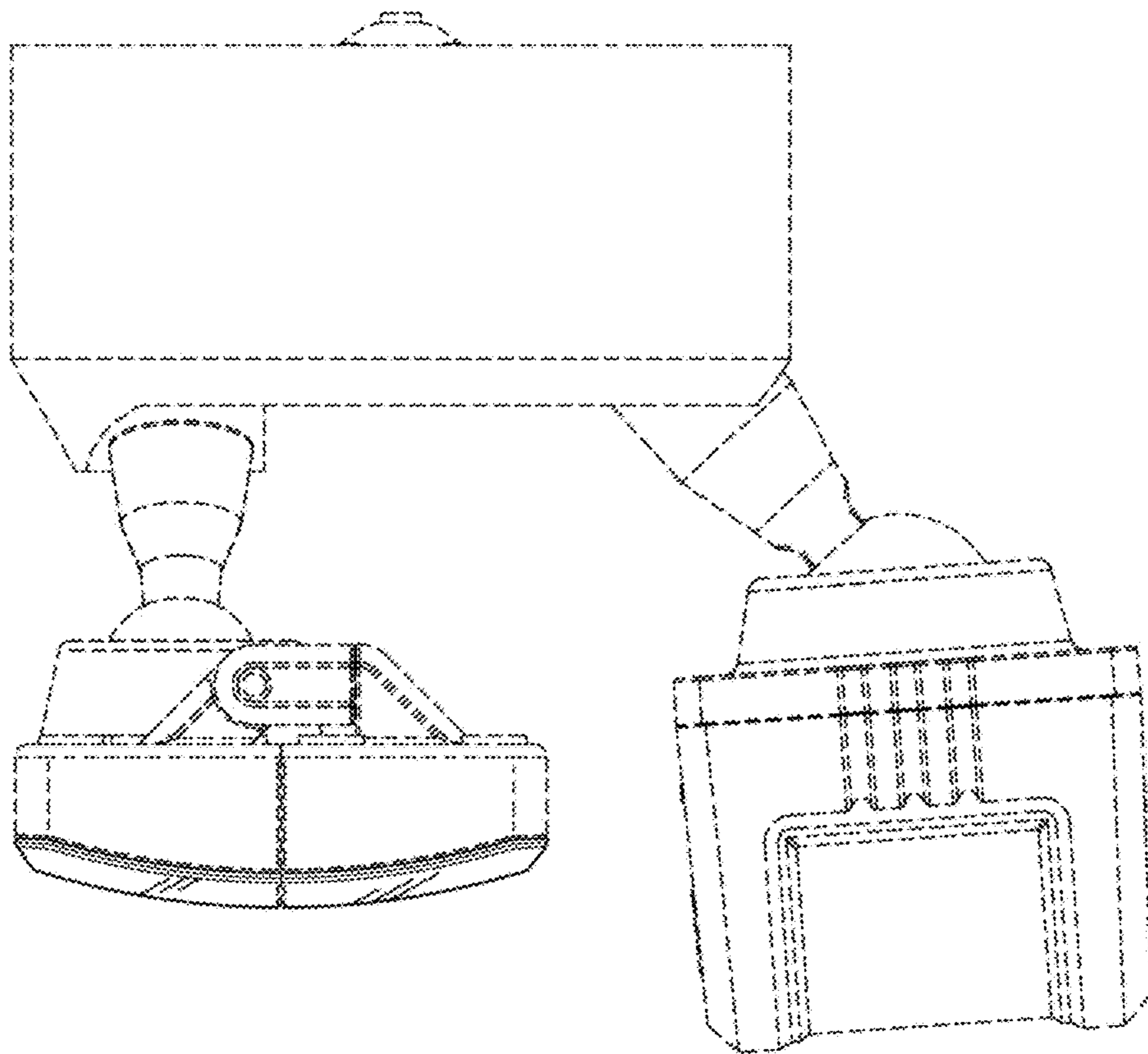


FIG. 6

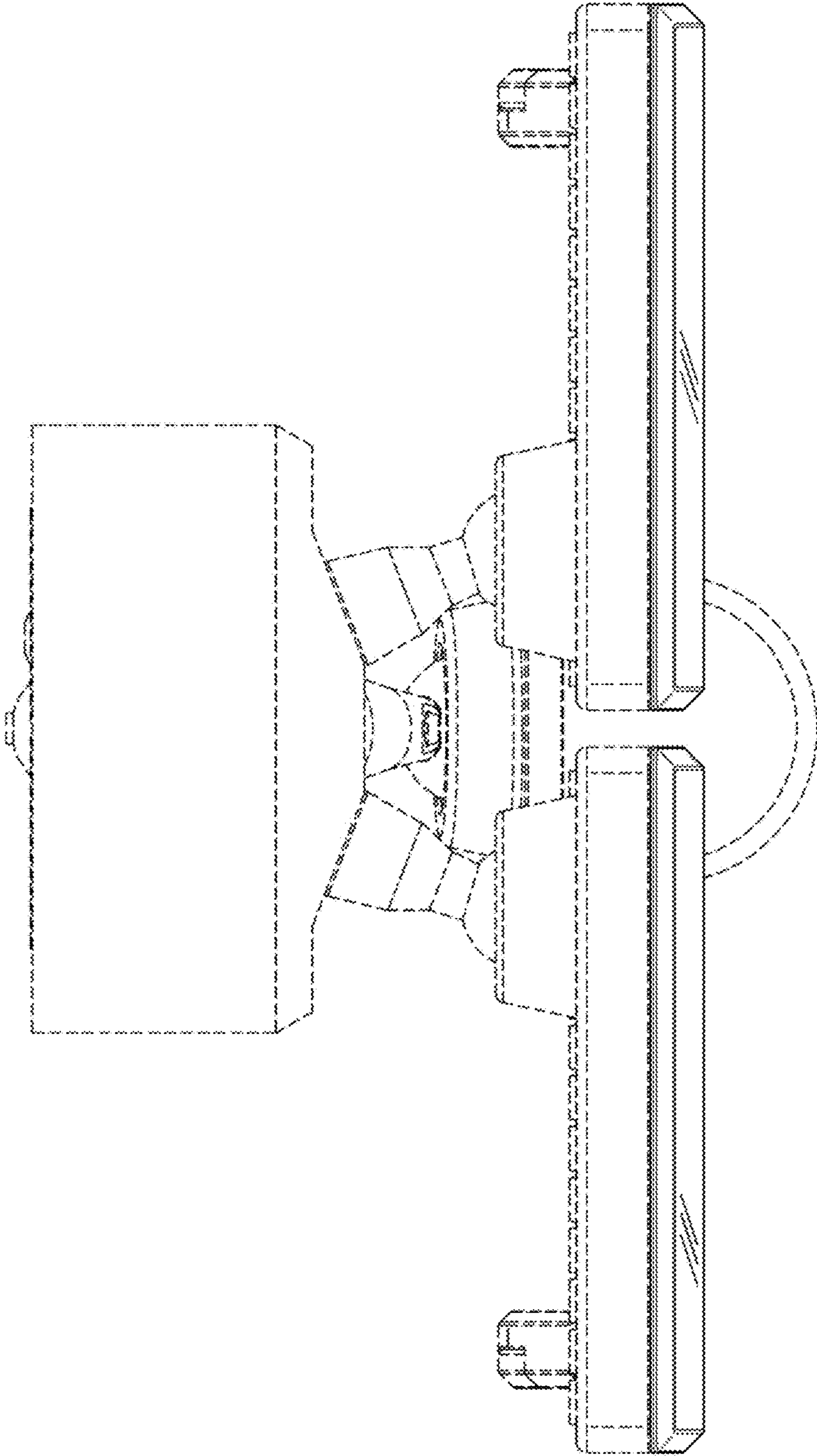


FIG. 7

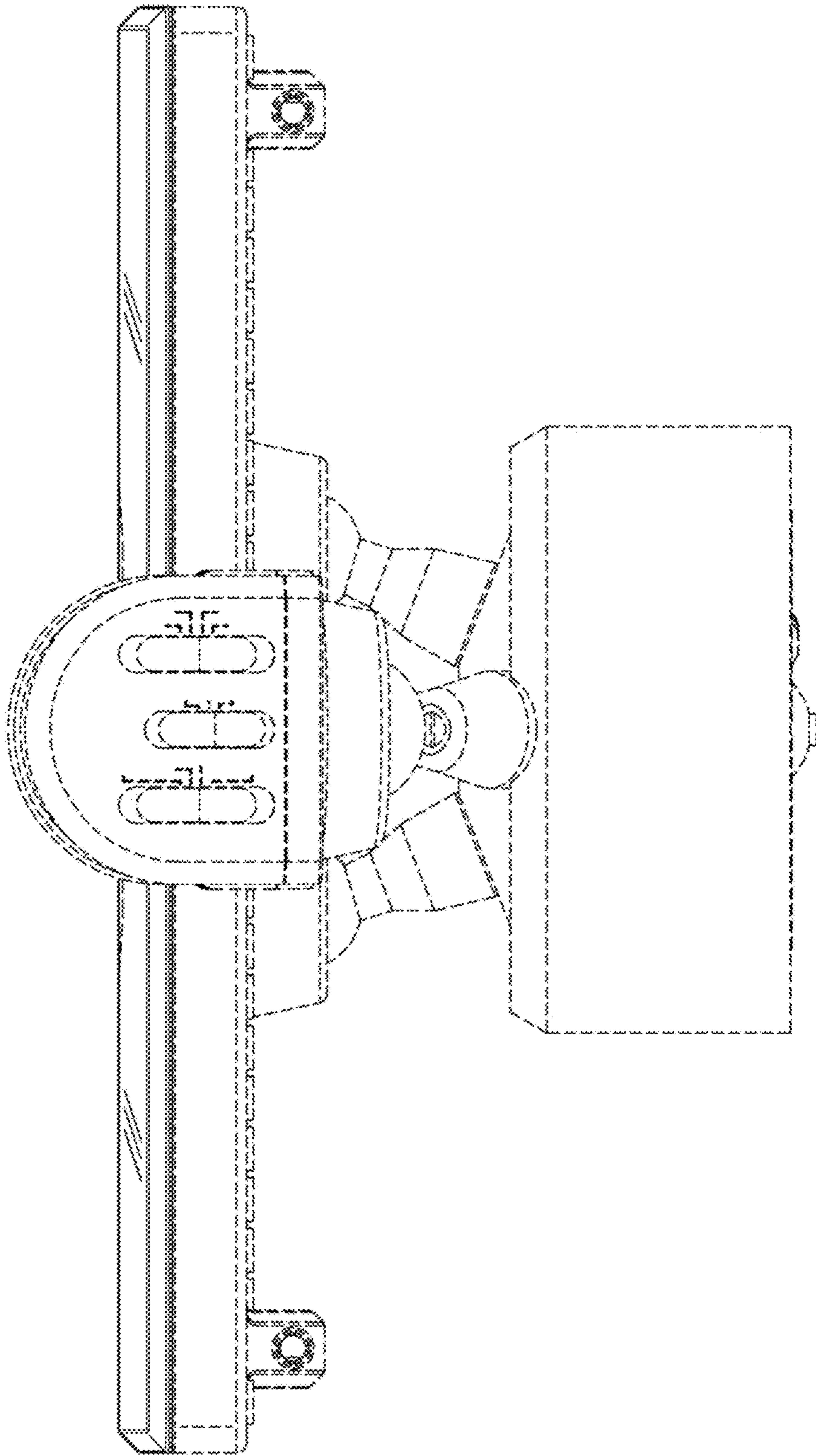


FIG. 8

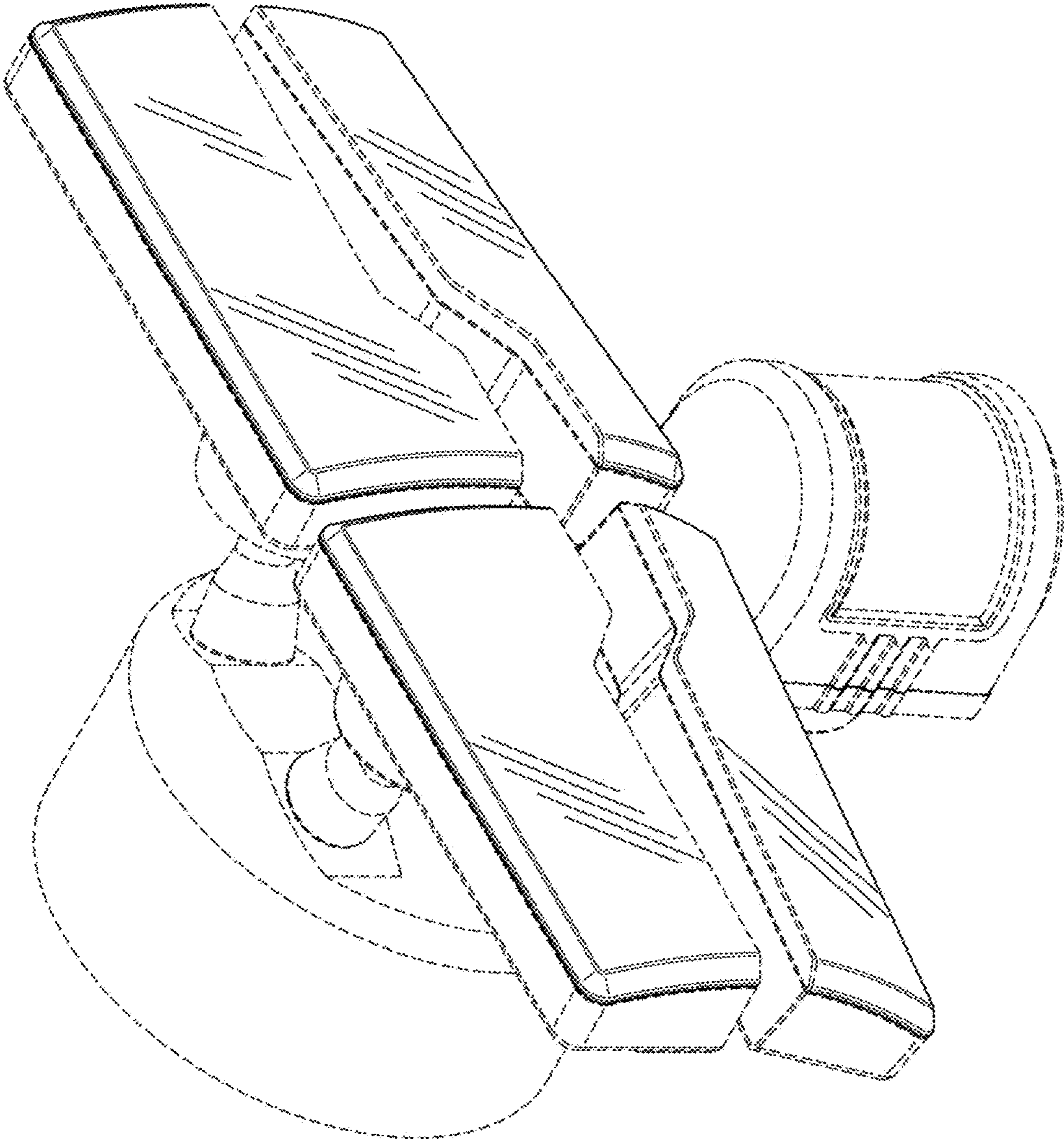


FIG. 9

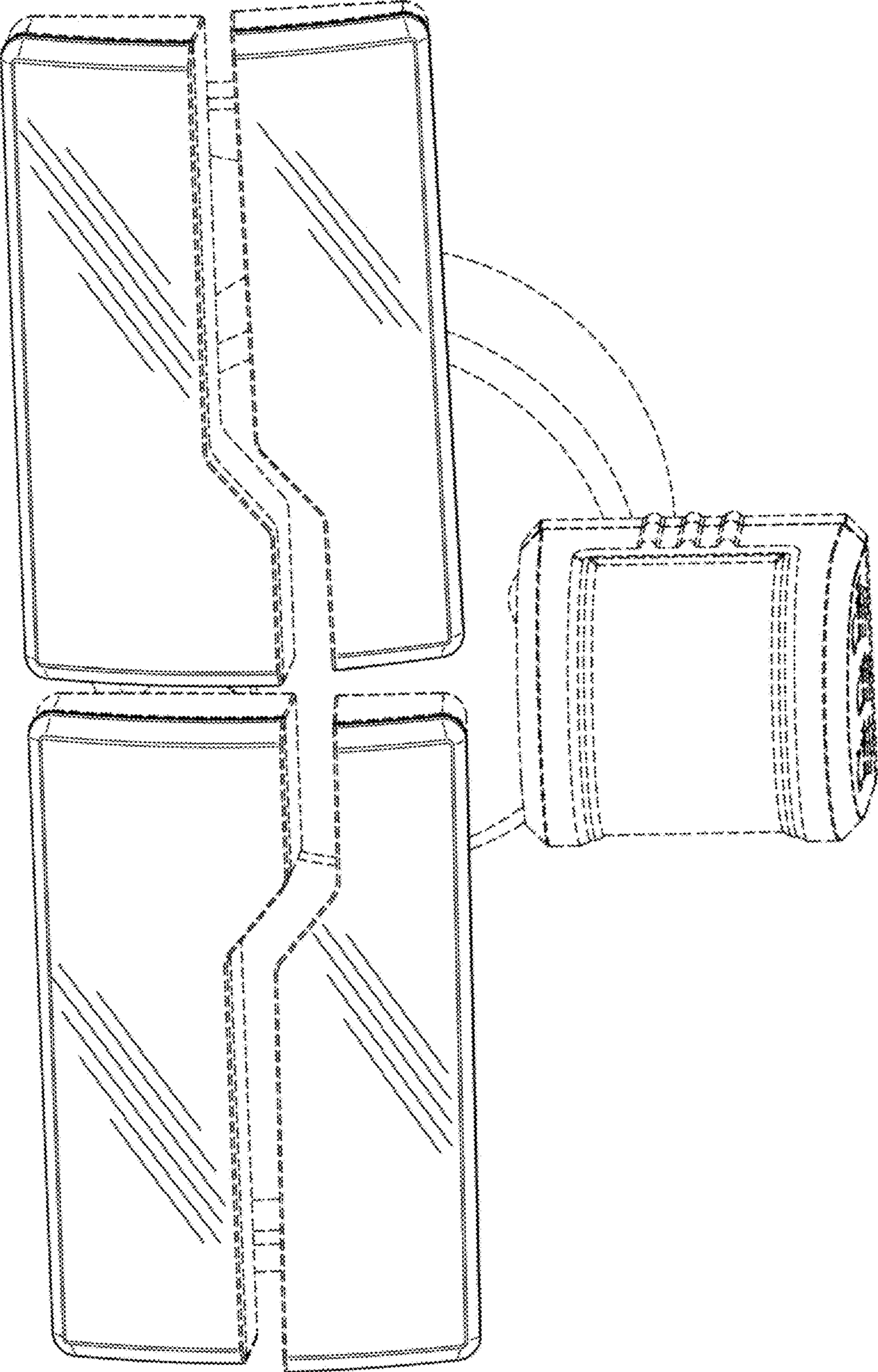


FIG. 10