



US00D853620S

(12) **United States Design Patent**
Zhang

(10) **Patent No.:** **US D853,620 S**

(45) **Date of Patent:** **** Jul. 9, 2019**

(54) **WALL-MOUNTED LIGHT FIXTURE**

(71) Applicant: **Donglin Zhang**, Guangdong (CN)

(72) Inventor: **Donglin Zhang**, Guangdong (CN)

(**) Term: **15 Years**

(21) Appl. No.: **29/617,432**

(22) Filed: **Sep. 14, 2017**

(51) **LOC (11) Cl.** **26-03**

(52) **U.S. Cl.**
USPC **D26/87**

(58) **Field of Classification Search**
USPC D26/85, 87, 92, 86, 89, 137
CPC F21S 8/03; F21S 8/033; F21S 8/035; F21S
8/036; F21S 8/037; F21S 8/04; F21S
13/02; F21V 21/02; F21W 2121/004;
F21W 2131/109

See application file for complete search history.

(56) **References Cited**

U.S. PATENT DOCUMENTS

D48,544 S *	2/1916	Frary	D26/87
5,434,764 A *	7/1995	Lee	F21S 8/033 250/239
D388,219 S *	12/1997	Hsu	D26/87
D388,220 S *	12/1997	Hsu	D26/87
6,296,377 B1 *	10/2001	Wilson	F21V 21/02 362/147
D456,935 S *	5/2002	Hsu	D26/87
D514,244 S *	1/2006	Curtin	D26/85

D534,298 S *	12/2006	Chen	D26/87
D539,462 S *	3/2007	Dolan	D26/87
D541,972 S *	5/2007	Holman	D26/87
D580,584 S *	11/2008	Hsu	D26/87
D693,954 S *	11/2013	Keng	D26/85
D694,939 S *	12/2013	Dolan	D26/87
D723,209 S *	2/2015	Orozco	D26/87
D766,490 S *	9/2016	Moon	D26/87
2007/0285929 A1 *	12/2007	Prazoff	F21V 23/00 362/362

* cited by examiner

Primary Examiner — Clare E Heflin

(57) **CLAIM**

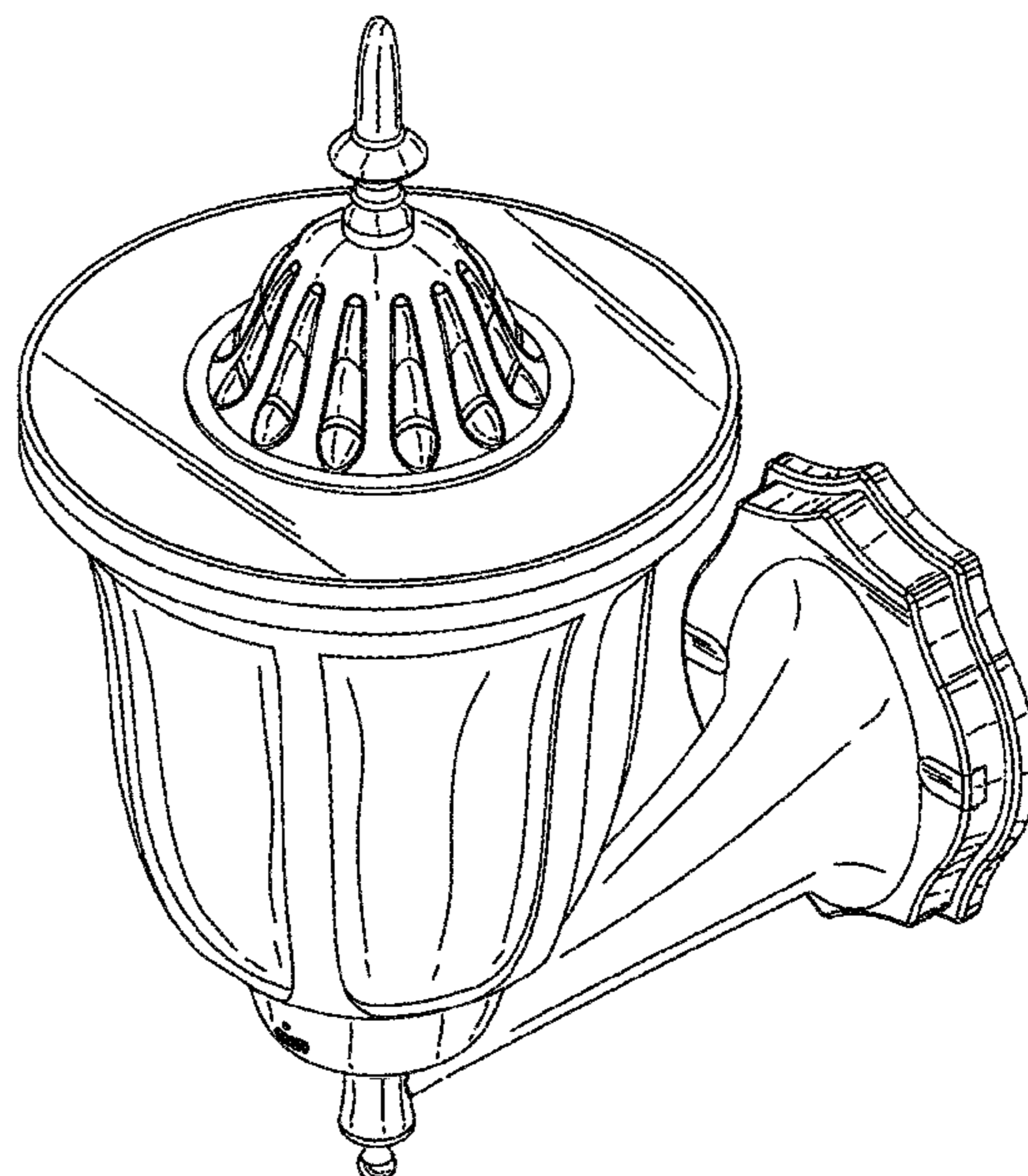
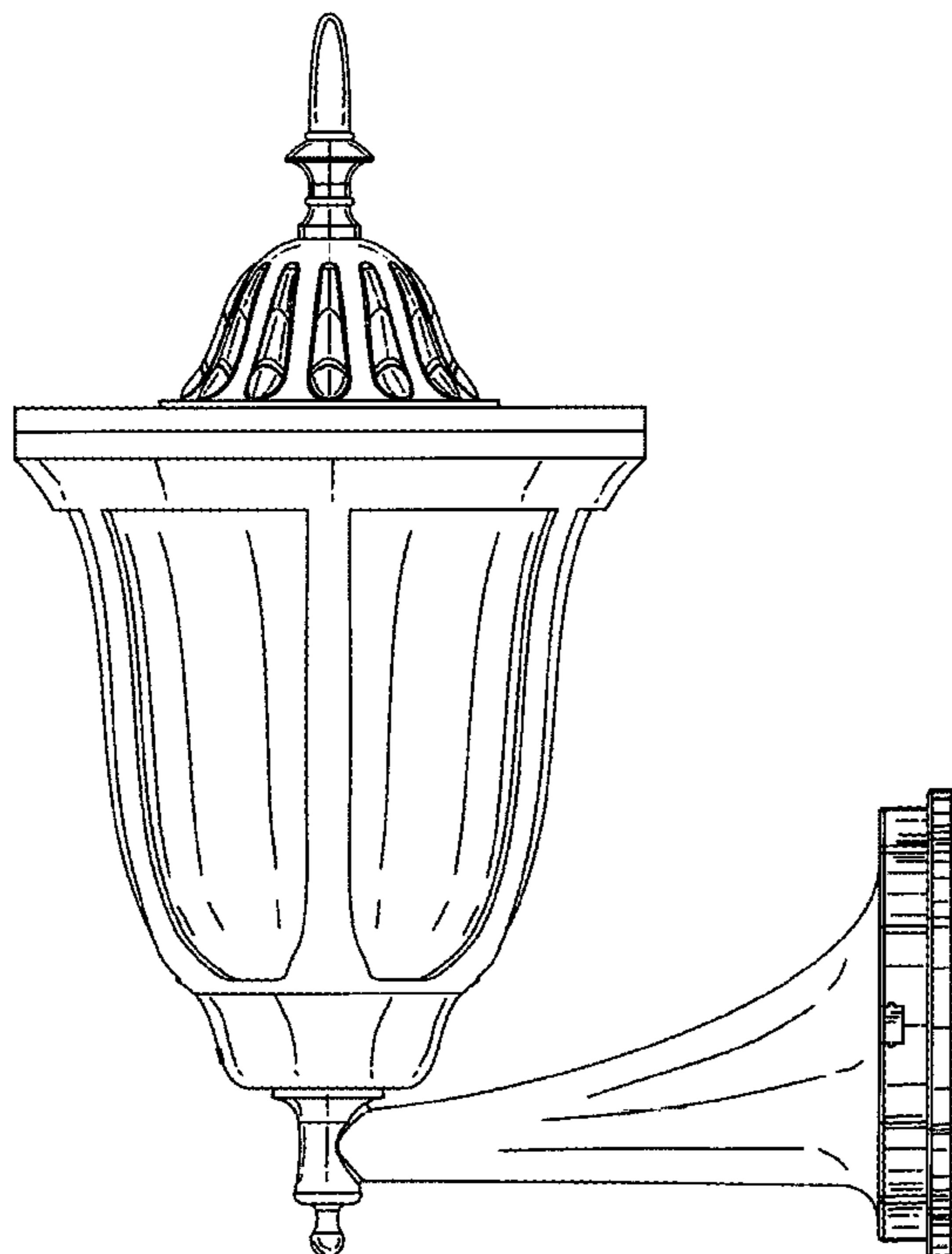
The ornamental design for the wall-mounted light fixture, as shown and described.

DESCRIPTION

FIG. 1 is a front elevational view of the wall-mounted light fixture showing my new design; FIG. 2 is a rear elevational view thereof; FIG. 3 is a left side view thereof; FIG. 4 is a right side view thereof; FIG. 5 is a top plan view thereof; FIG. 6 is a bottom plan view thereof; and, FIG. 7 is a perspective view thereof.

The broken lines shown on the drawings represent portions of the wall-mounted light fixture that form no part of the claimed design.

1 Claim, 7 Drawing Sheets



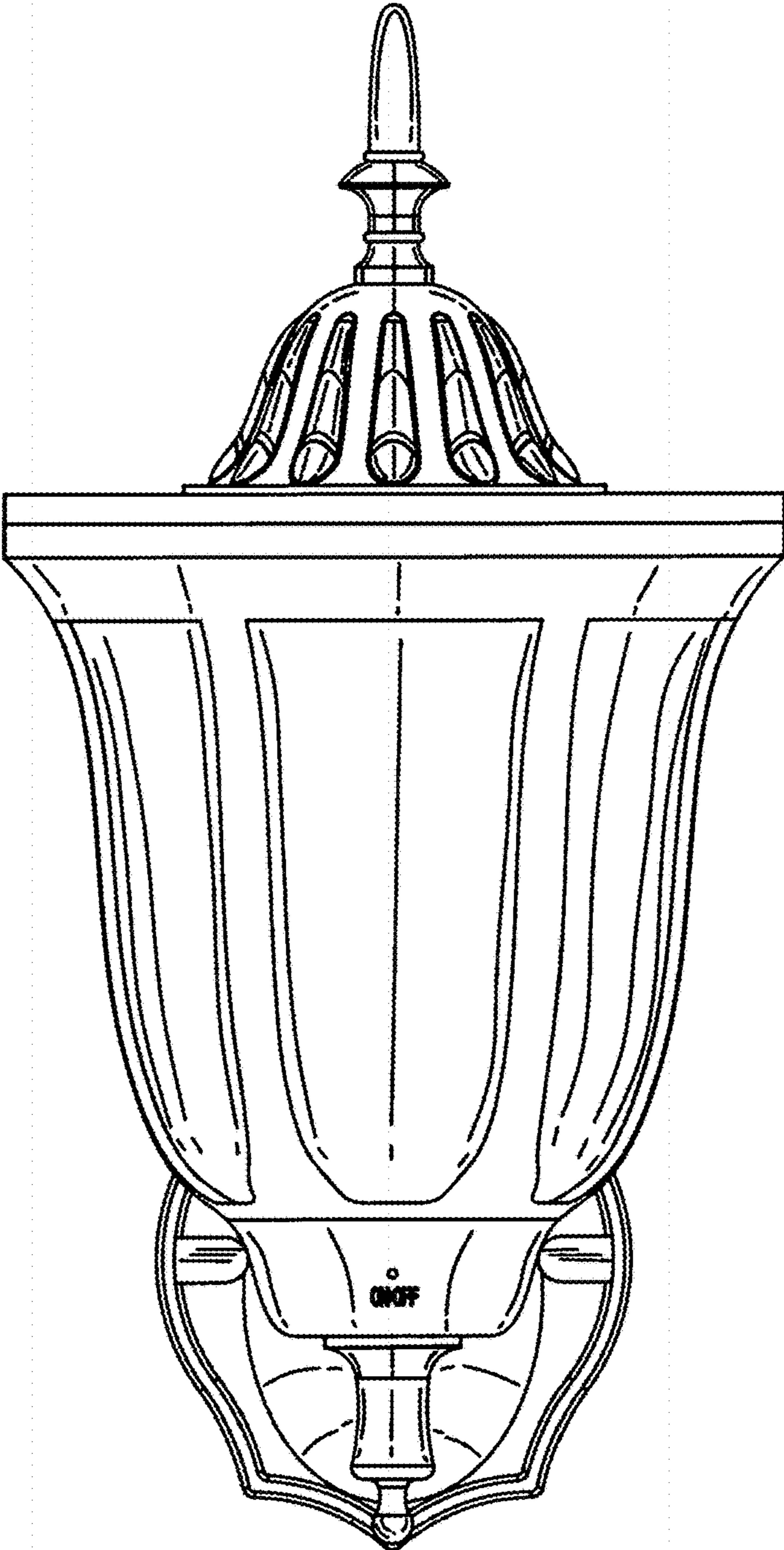


FIG. 1

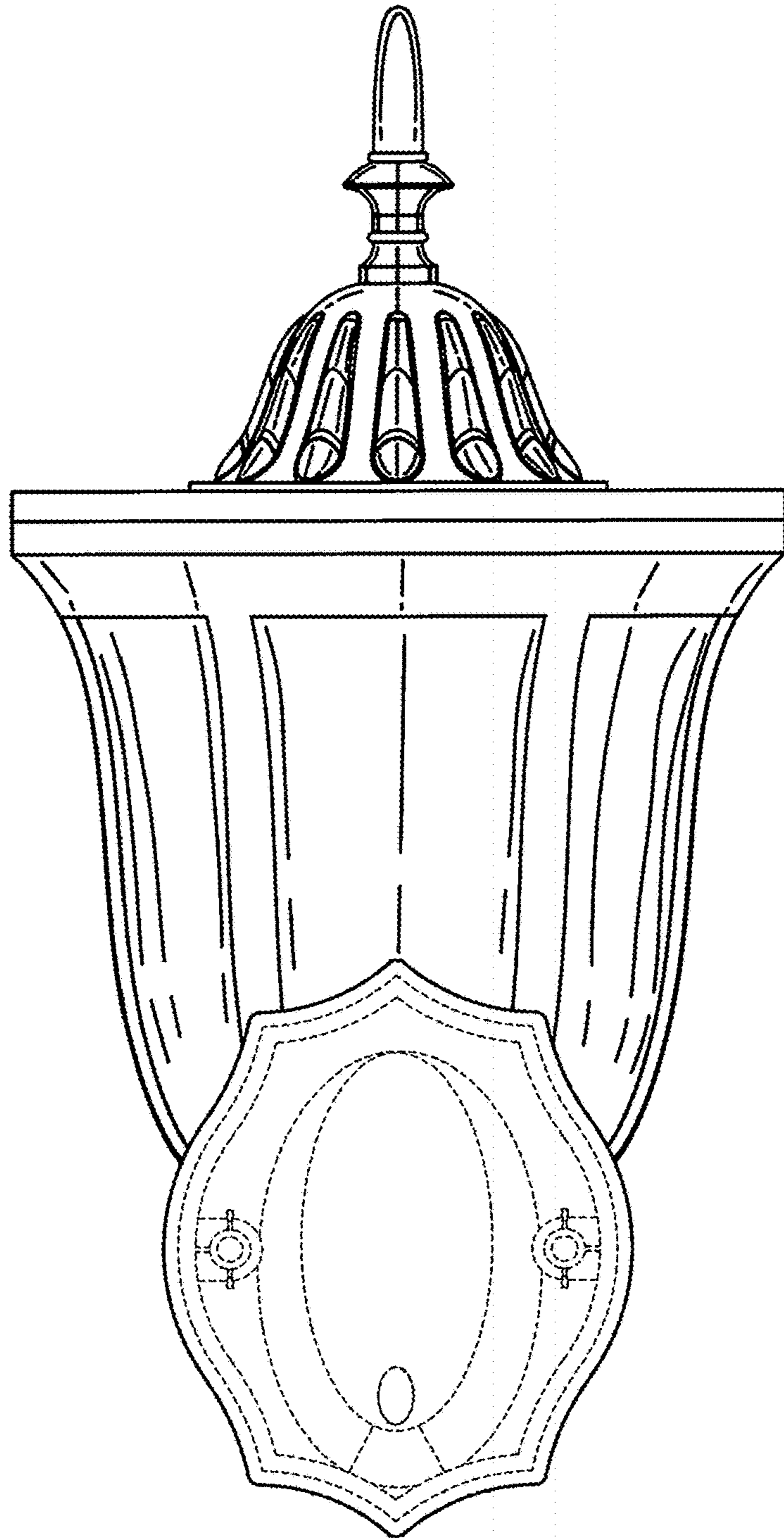


FIG. 2

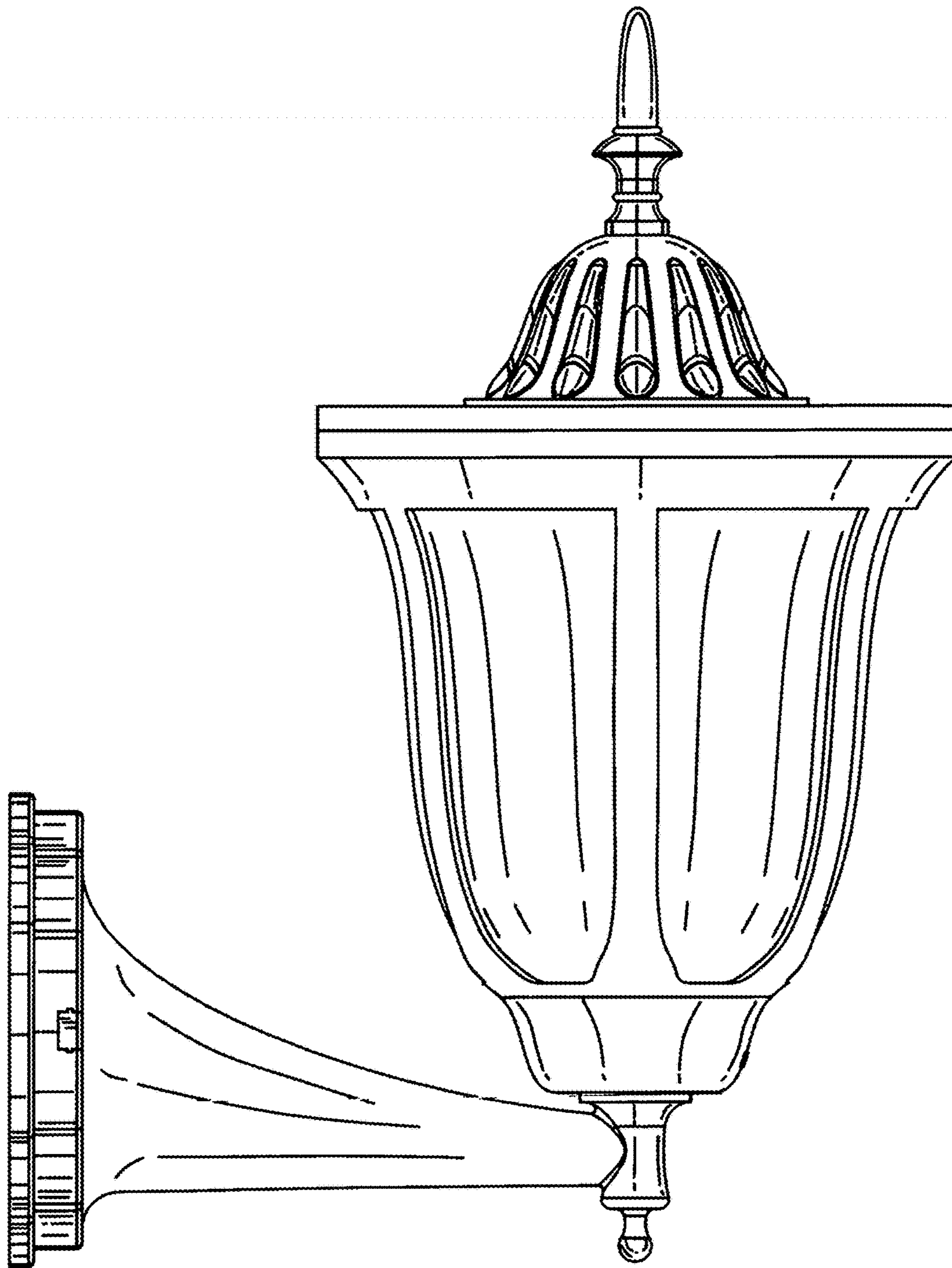


FIG. 3

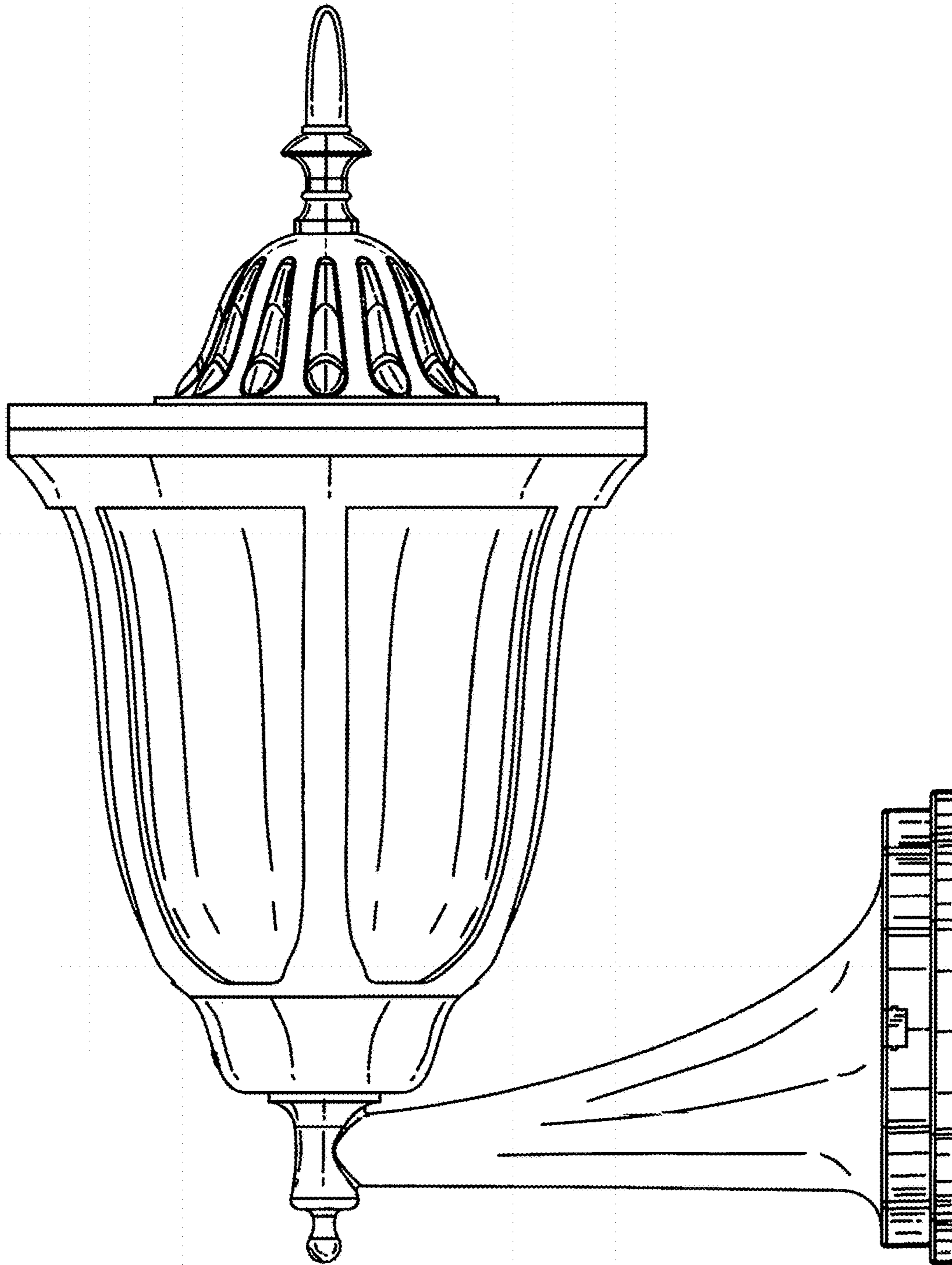


FIG. 4

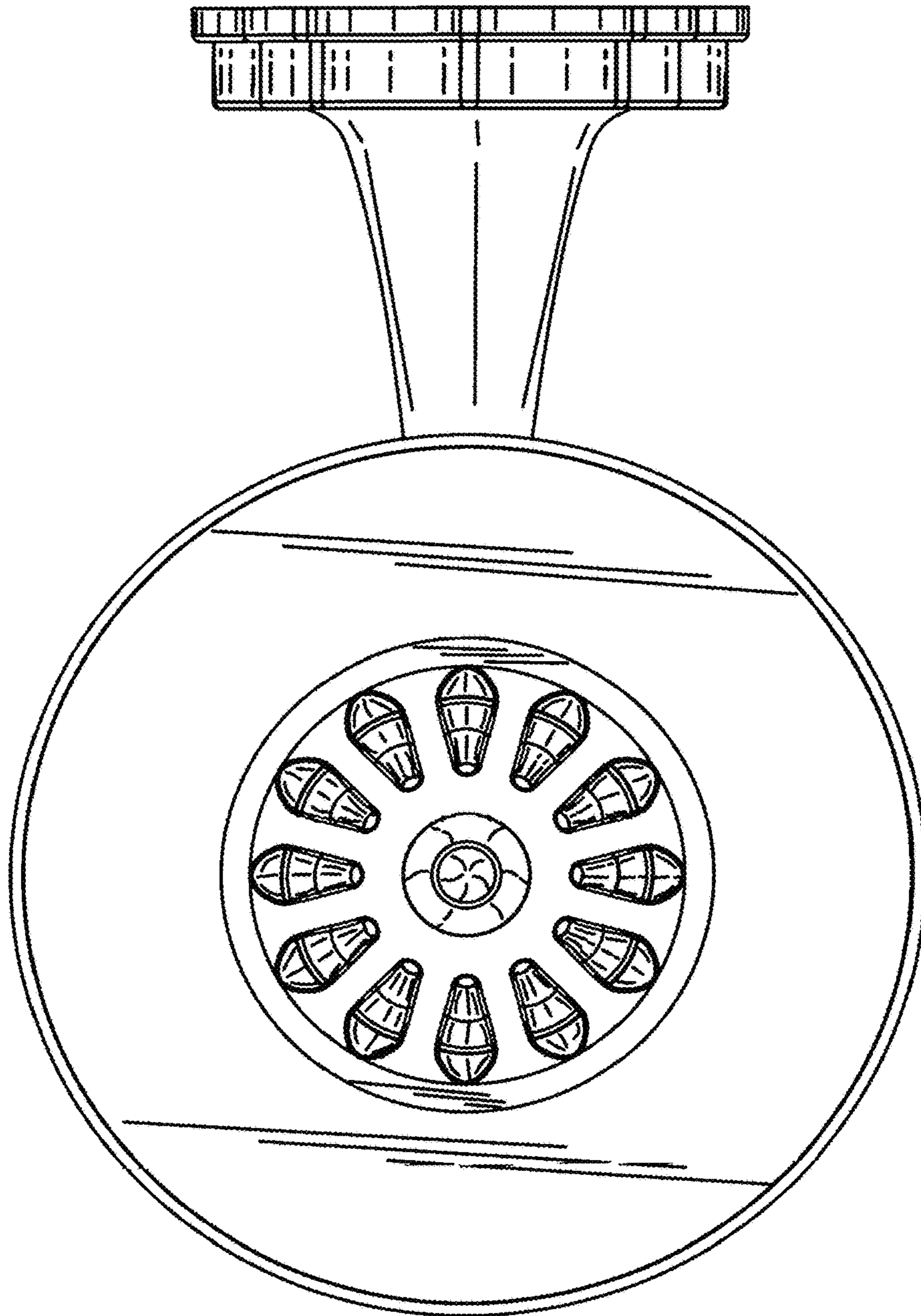


FIG. 5

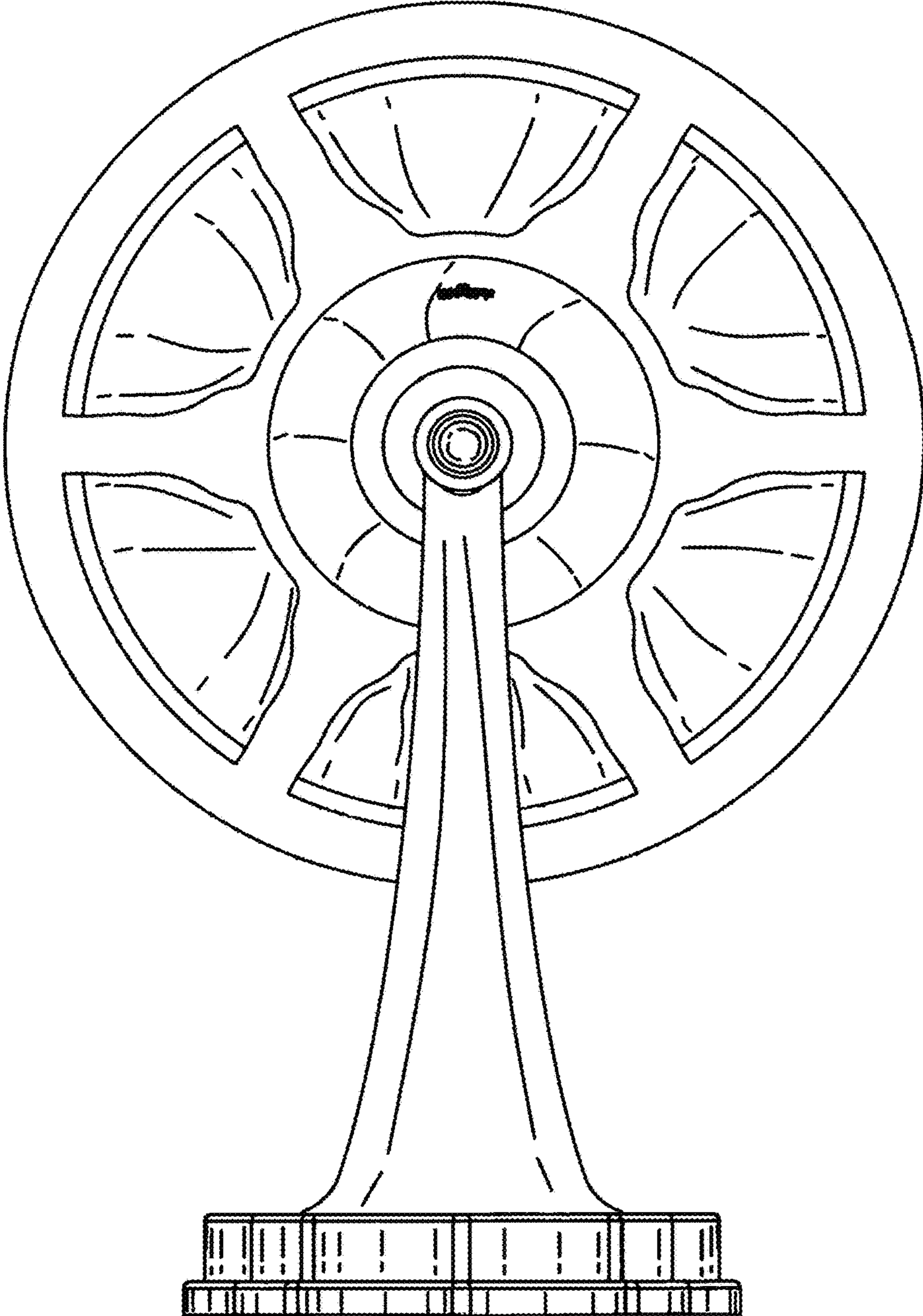


FIG. 6

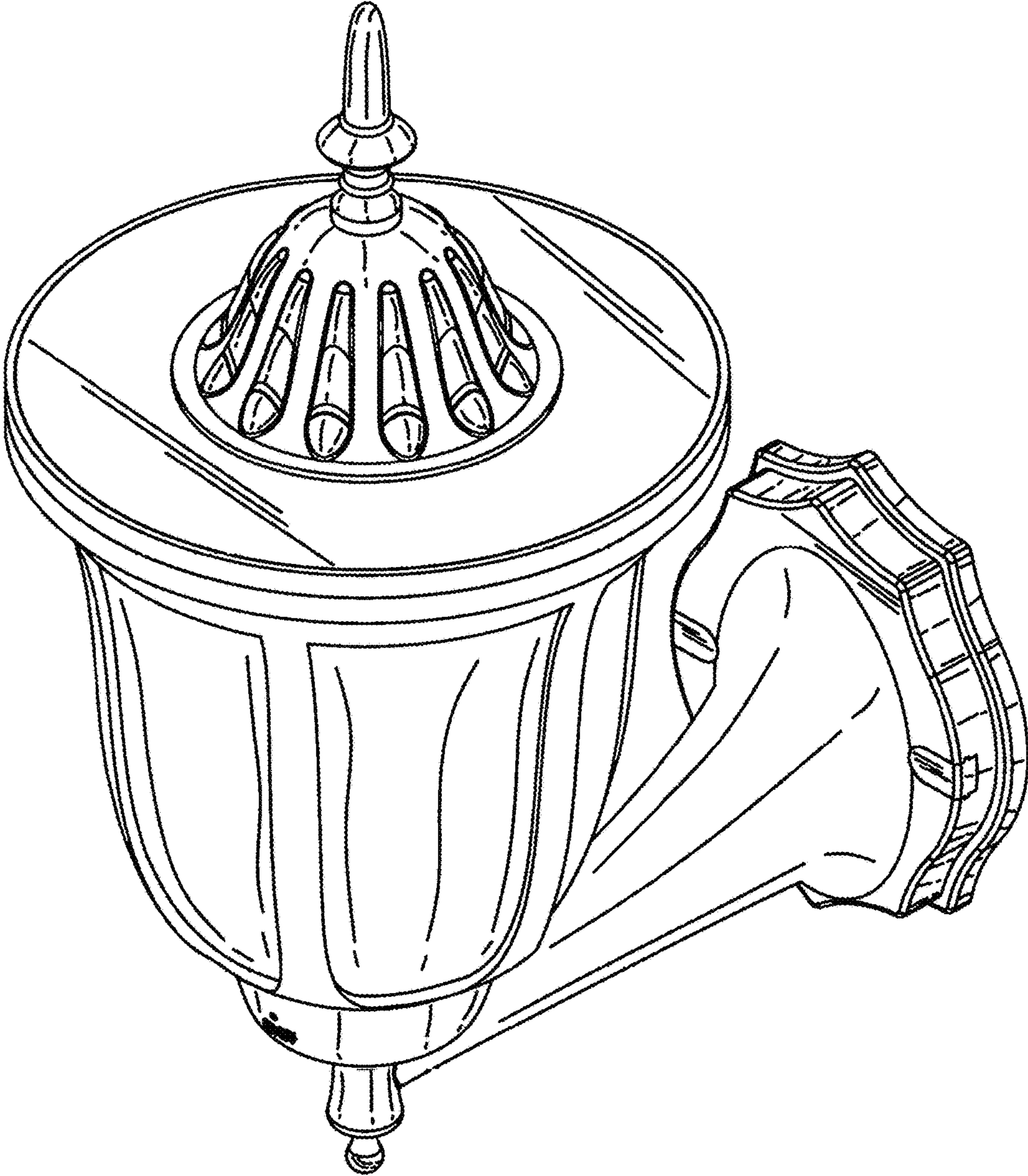


FIG. 7