



US00D853619S

(12) **United States Design Patent**
Zhang

(10) **Patent No.:** **US D853,619 S**

(45) **Date of Patent:** **** Jul. 9, 2019**

(54) **WINE GLASS LIGHT**

(71) Applicant: **Donglin Zhang**, Guangdong (CN)

(72) Inventor: **Donglin Zhang**, Guangdong (CN)

(**) Term: **15 Years**

(21) Appl. No.: **29/617,430**

(22) Filed: **Sep. 14, 2017**

(51) **LOC (11) Cl.** **26-03**

(52) **U.S. Cl.**
USPC **D26/87**

(58) **Field of Classification Search**
USPC D26/87, 92, 89, 137, 73, 86, 85
CPC F21S 8/03; F21S 8/033; F21S 8/035; F21S
8/036; F21S 8/037; F21S 8/04; F21S
13/02; F21V 21/02; F21W 2121/004;
F21W 2131/109

See application file for complete search history.

(56) **References Cited**

U.S. PATENT DOCUMENTS

| | | | | |
|--------------|---------|-------------|-------|--------|
| D78,006 S * | 3/1929 | Chamberlain | | D26/73 |
| D90,777 S * | 9/1933 | Lipard | | D26/73 |
| D152,336 S * | 1/1949 | Hirschfield | | D26/87 |
| D205,240 S * | 7/1966 | Needham | | D26/73 |
| D293,484 S * | 12/1987 | Joerger | | D26/87 |
| D473,004 S * | 4/2003 | Hoernig | | D26/87 |
| D559,426 S * | 1/2008 | Hoernig | | D26/11 |
| D561,927 S * | 2/2008 | Hoernig | | D26/87 |

| | | | | |
|-------------------|--------|-------------|-------|-----------------------|
| D709,638 S * | 7/2014 | Kitts | | D26/87 |
| D821,630 S * | 6/2018 | Coles | | D26/87 |
| 2007/0127234 A1 * | 6/2007 | Jervey, III | | F21S 8/06 362/147 |
| 2011/0110118 A1 * | 5/2011 | Hsiao | | F21S 8/035 362/643 |

OTHER PUBLICATIONS

Charles I Wall Light. Product No. 5740, by Delightfull. Found at emporium-mobili.de visited Nov. 15, 2018. (Year: 2018).*
Flute wall light by Franco Raggi for FontanaArte© 2013. Found at lumigado.com visited Nov. 15, 2018. (Year: 2013).*

* cited by examiner

Primary Examiner — Clare E Heflin

(57) **CLAIM**

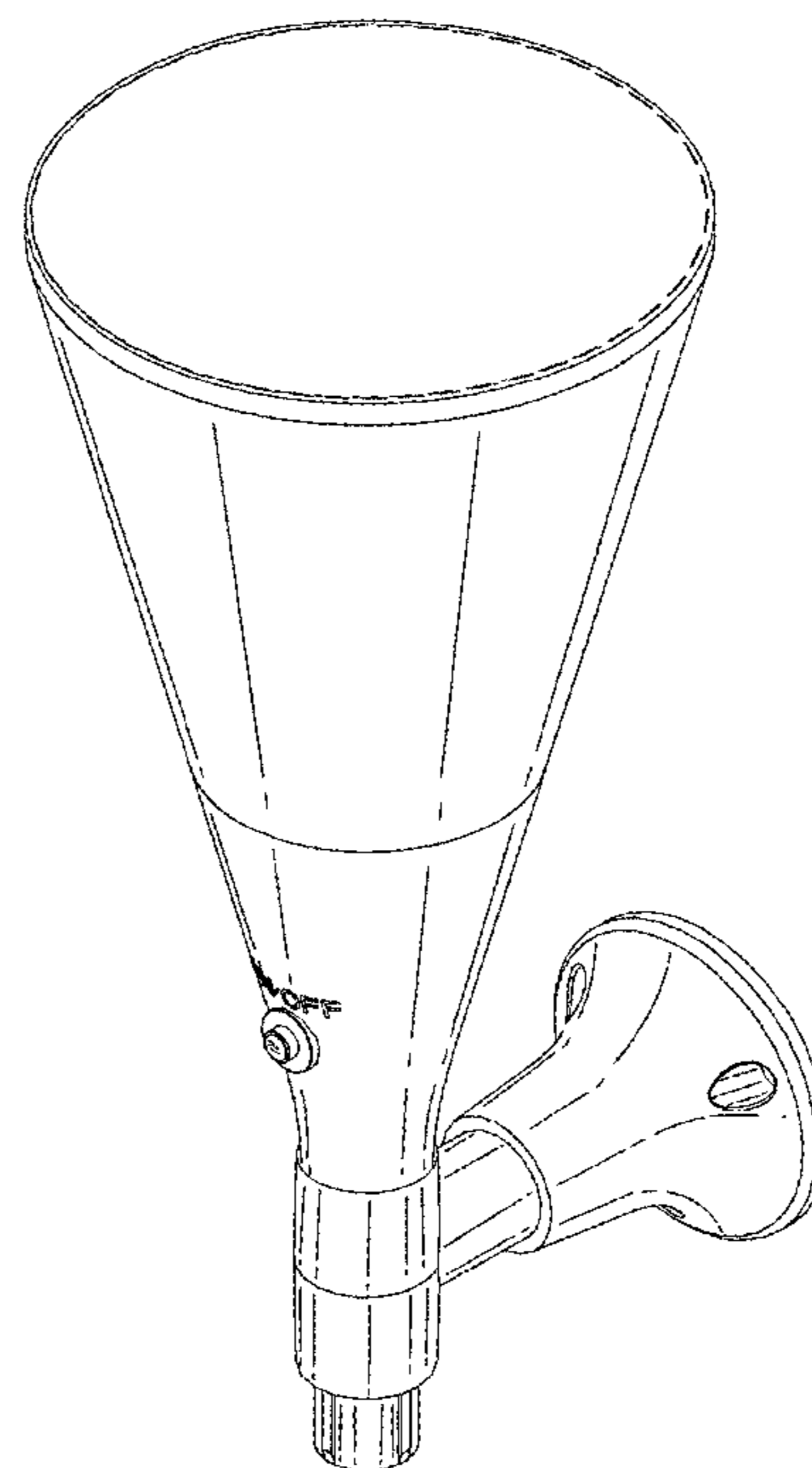
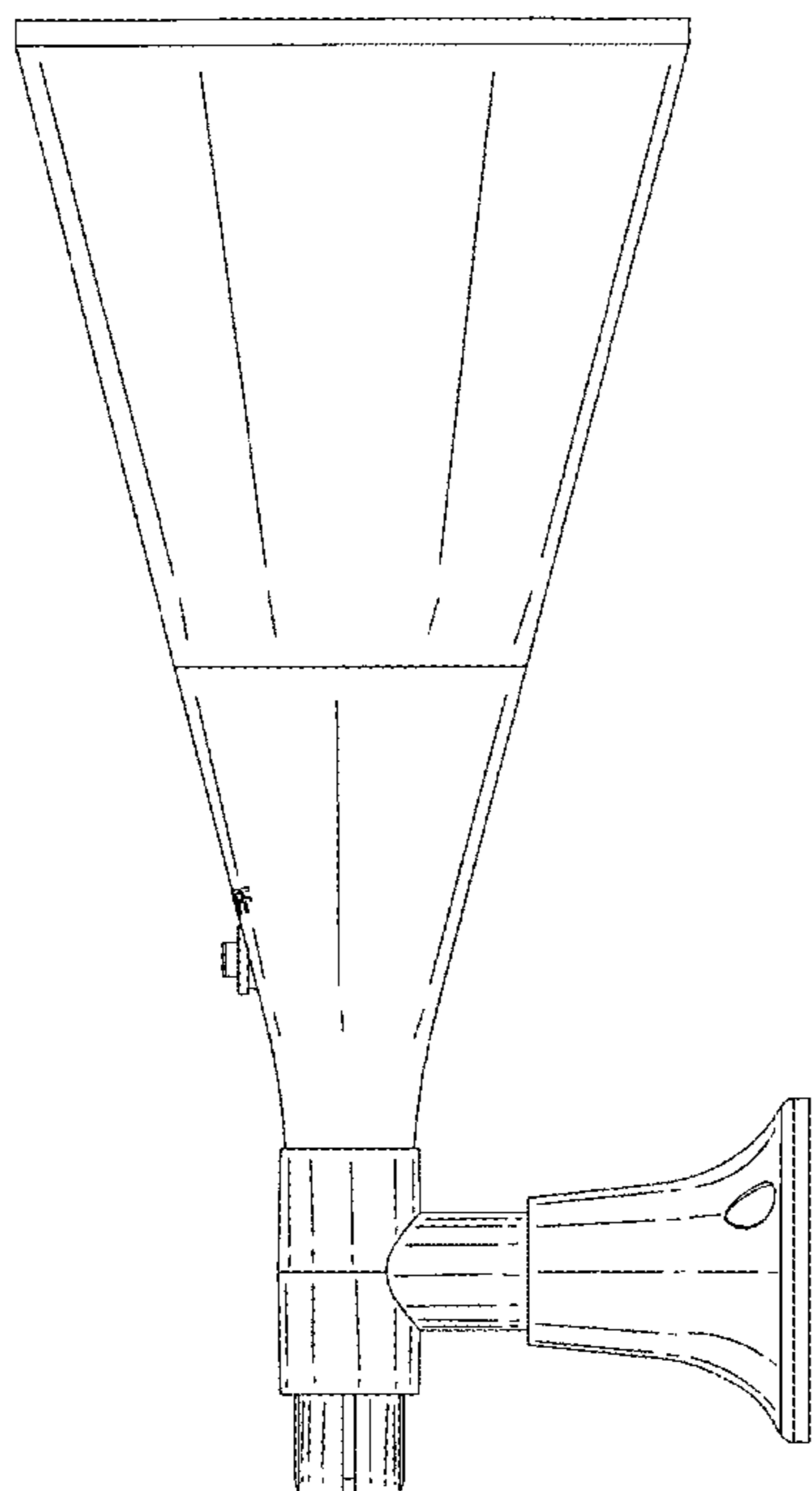
The ornamental design for a wine glass light, as shown and described.

DESCRIPTION

FIG. 1 is a front elevational view of a wine glass light showing my new design;
FIG. 2 is a rear elevational view thereof;
FIG. 3 is a left side view thereof;
FIG. 4 is a right side view thereof;
FIG. 5 is a top plan view thereof;
FIG. 6 is a bottom plan view thereof; and,
FIG. 7 is a perspective view thereof.

The broken lines shown on the drawings represent portions of the wine glass light that form no part of the claimed design.

1 Claim, 7 Drawing Sheets



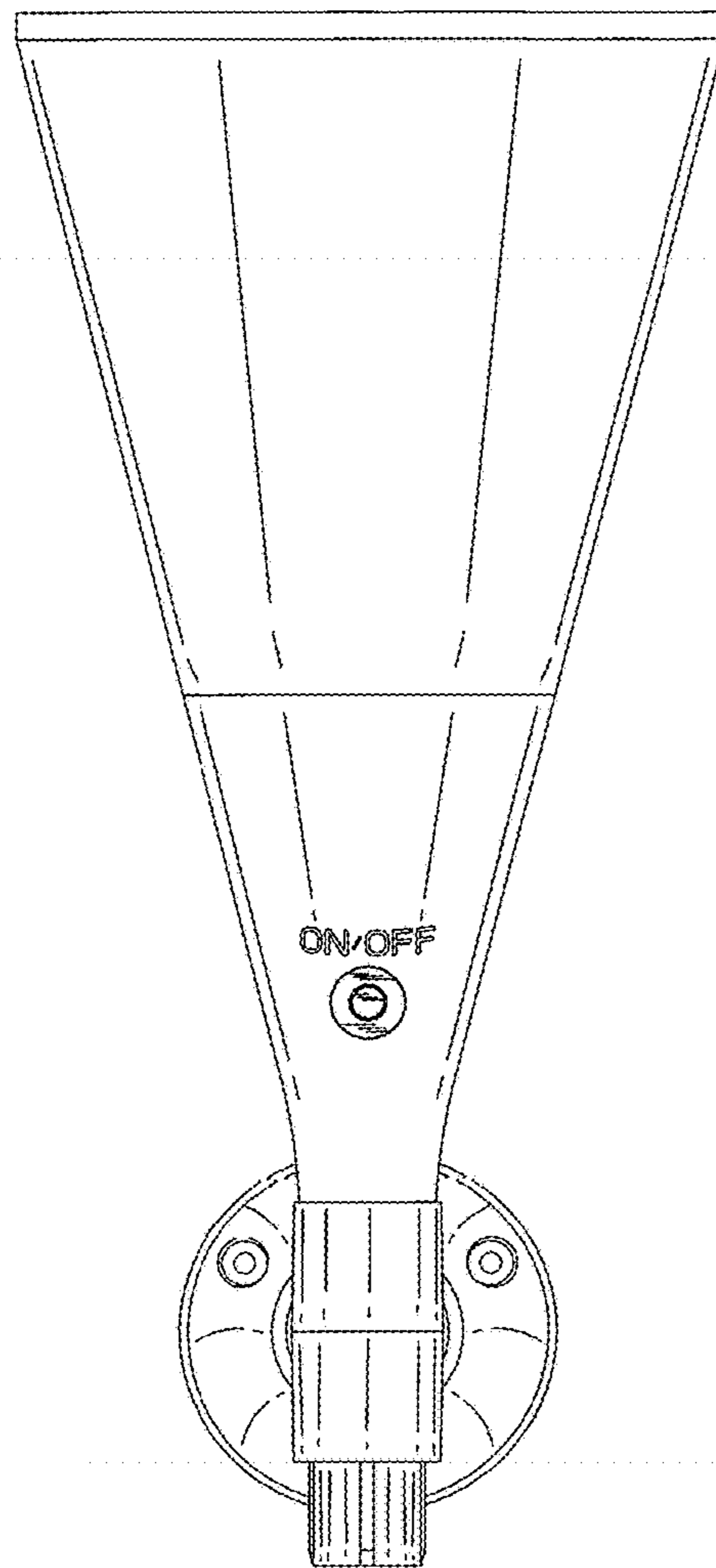


Fig. 1

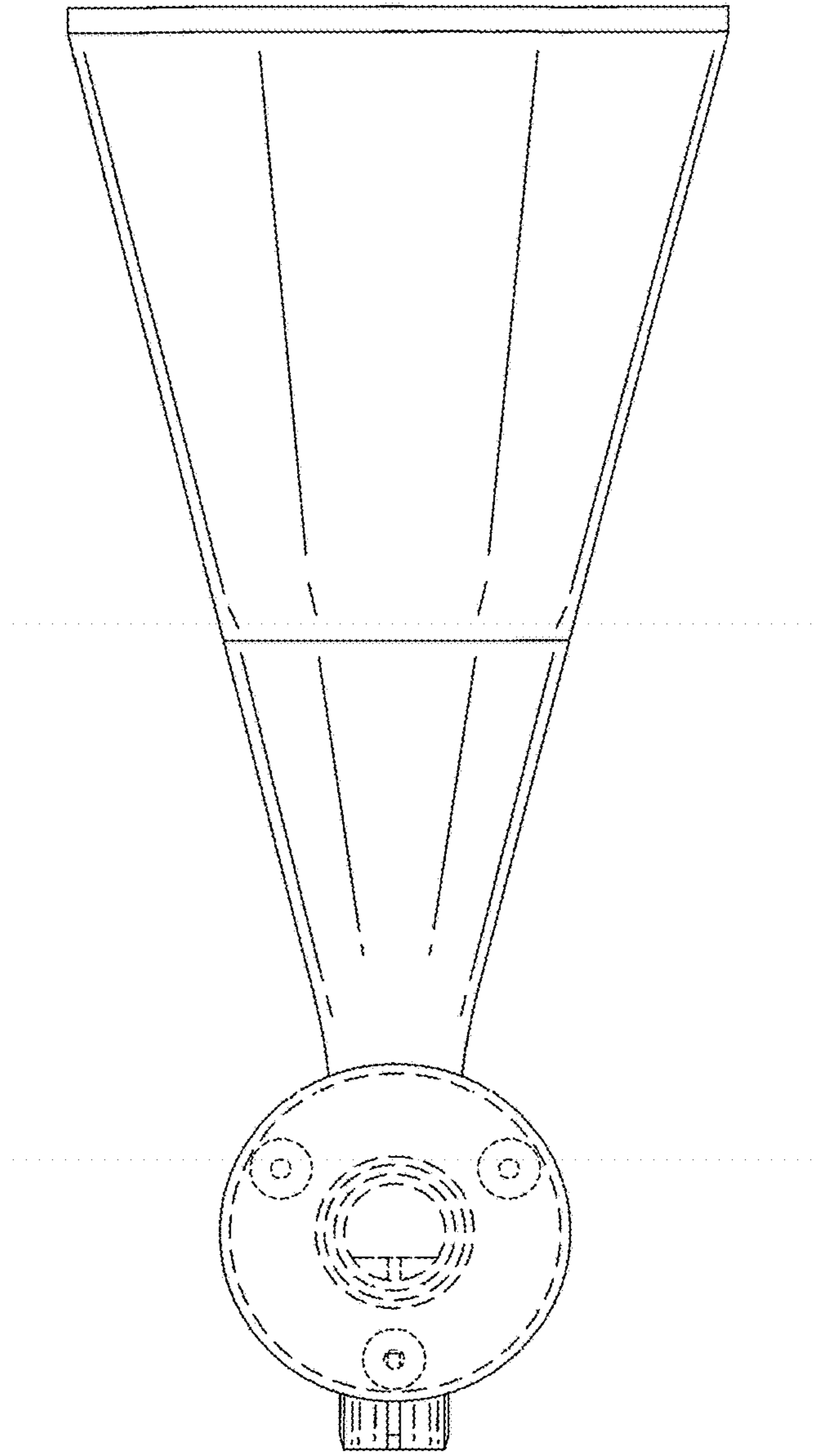


Fig. 2

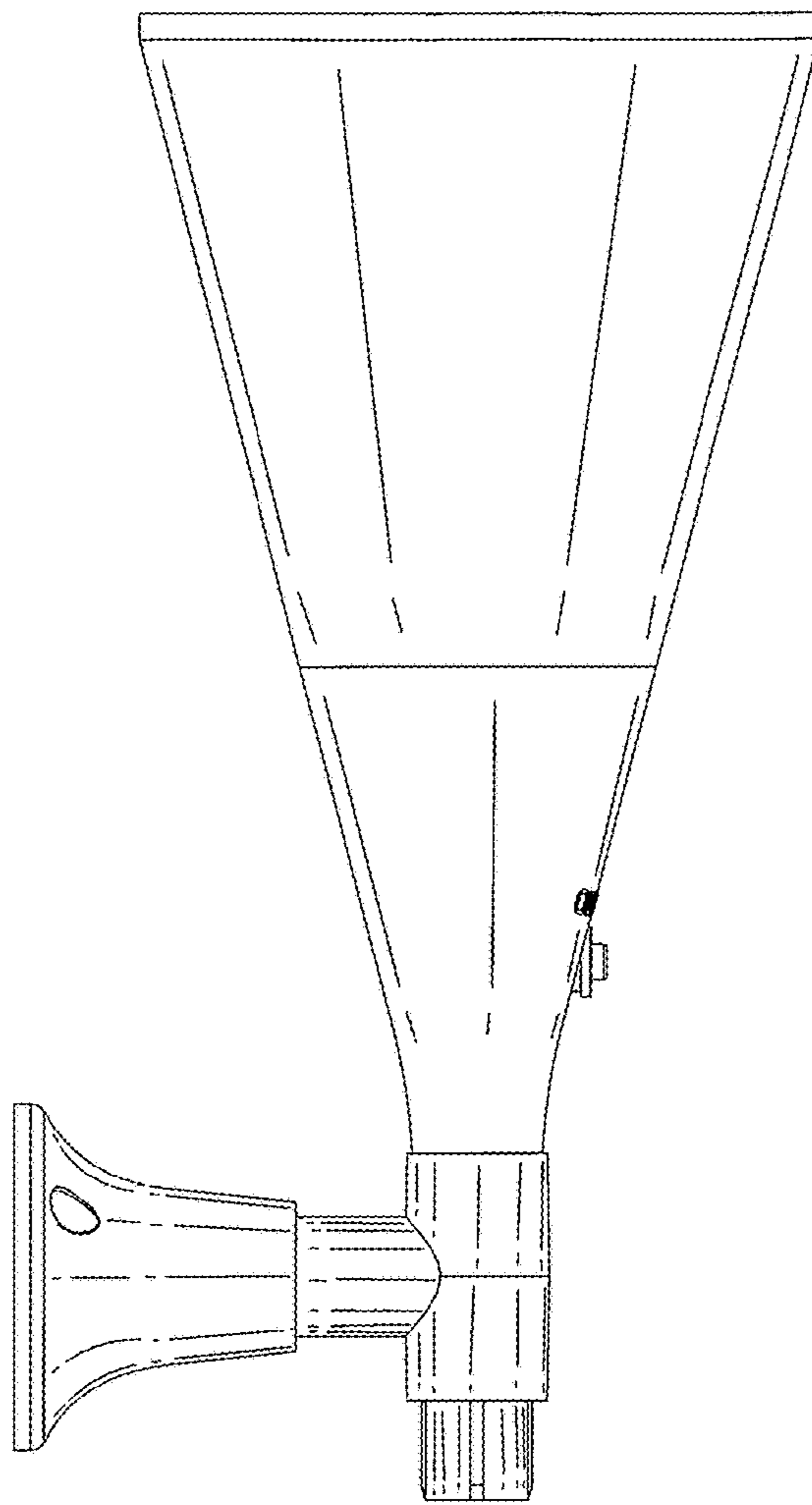


Fig. 3

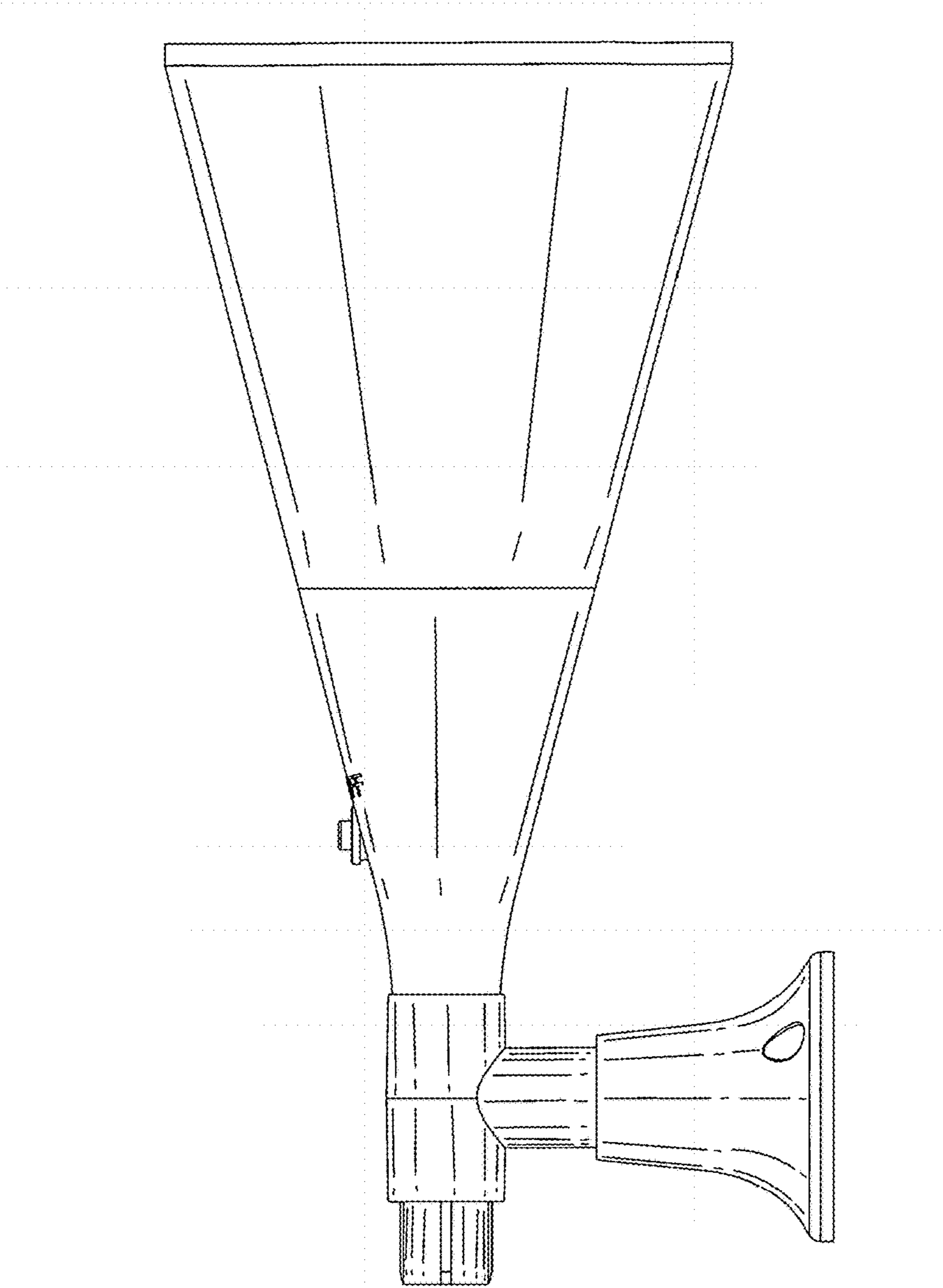


Fig. 4

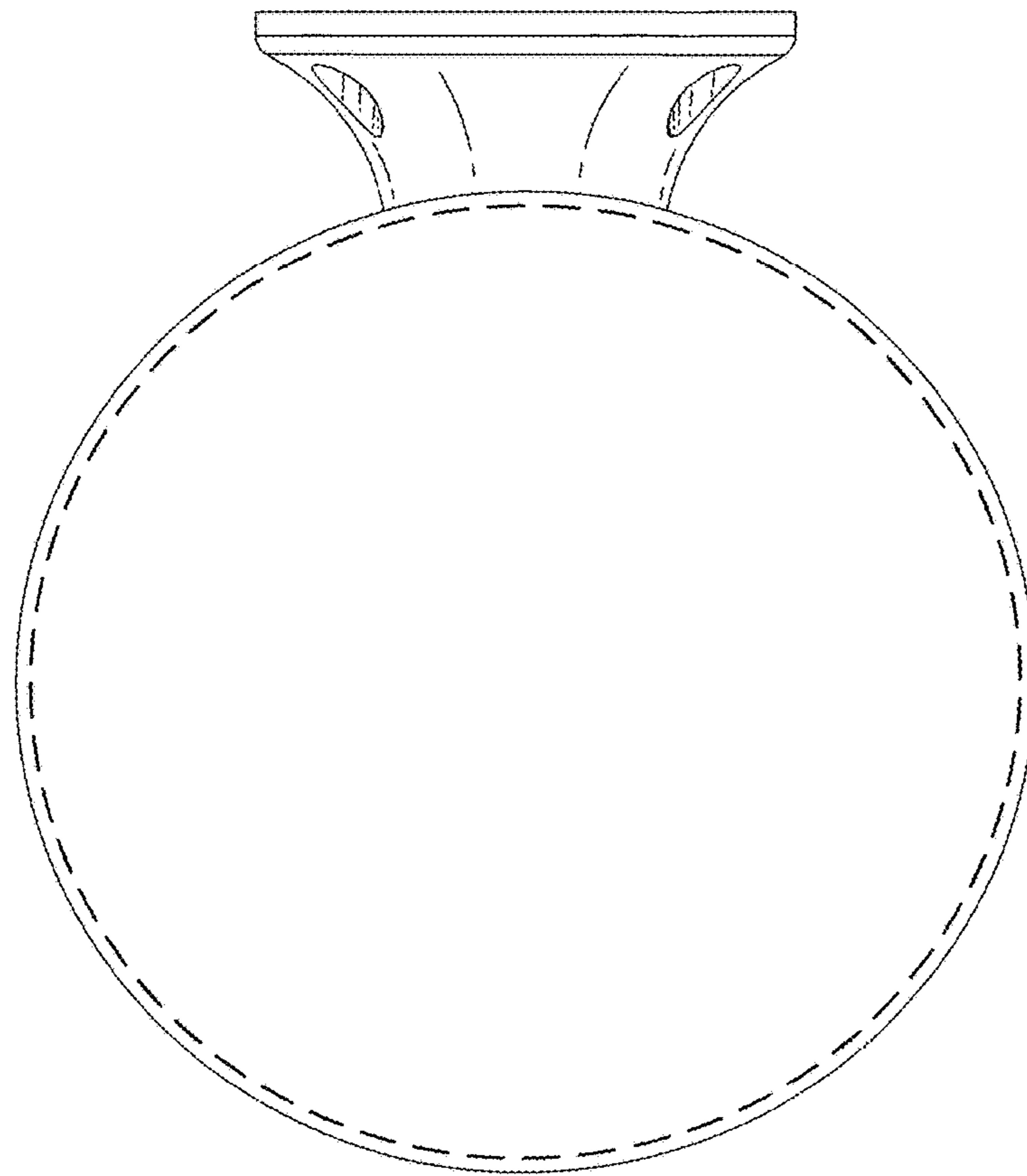


Fig. 5

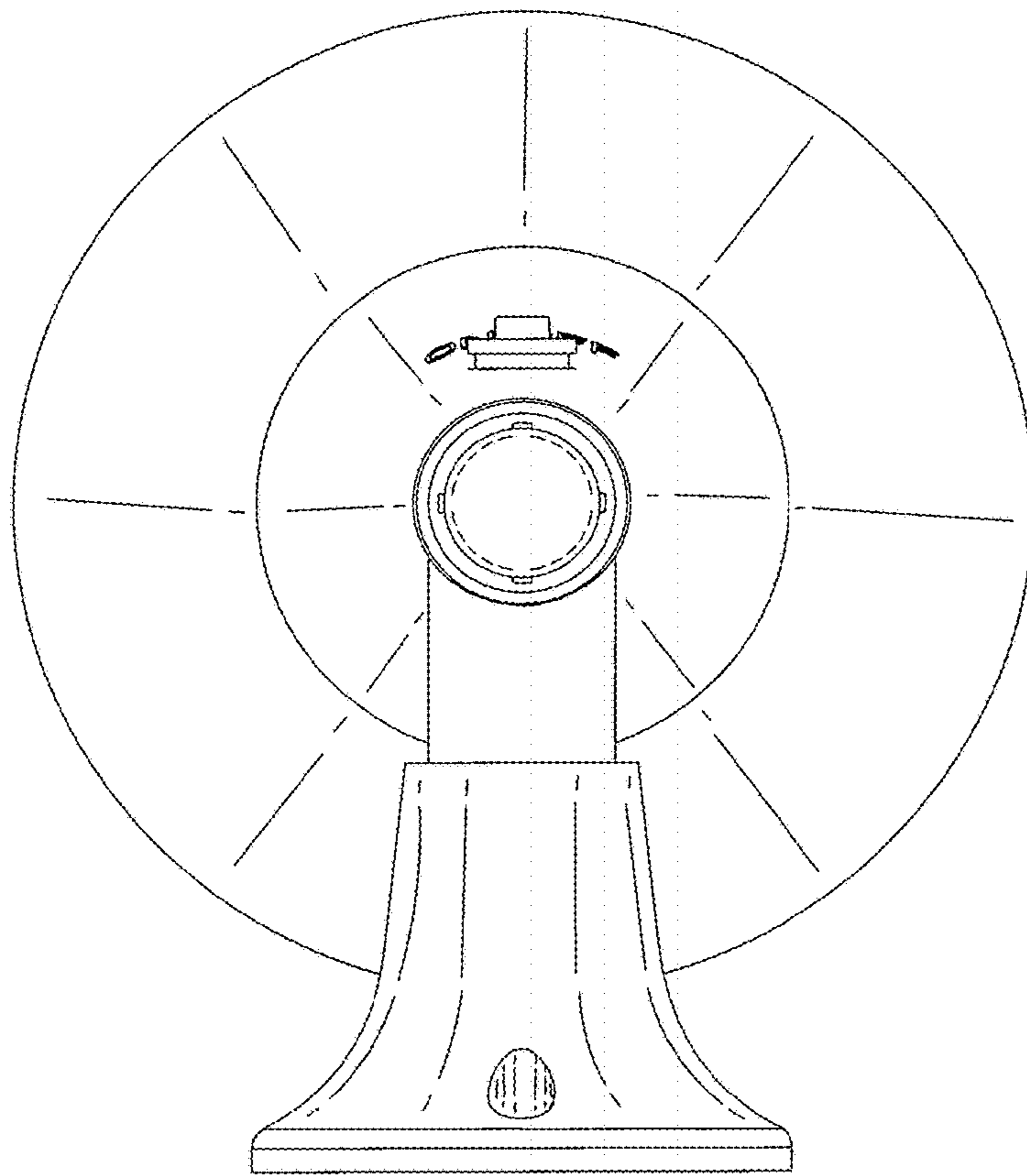


Fig. 6

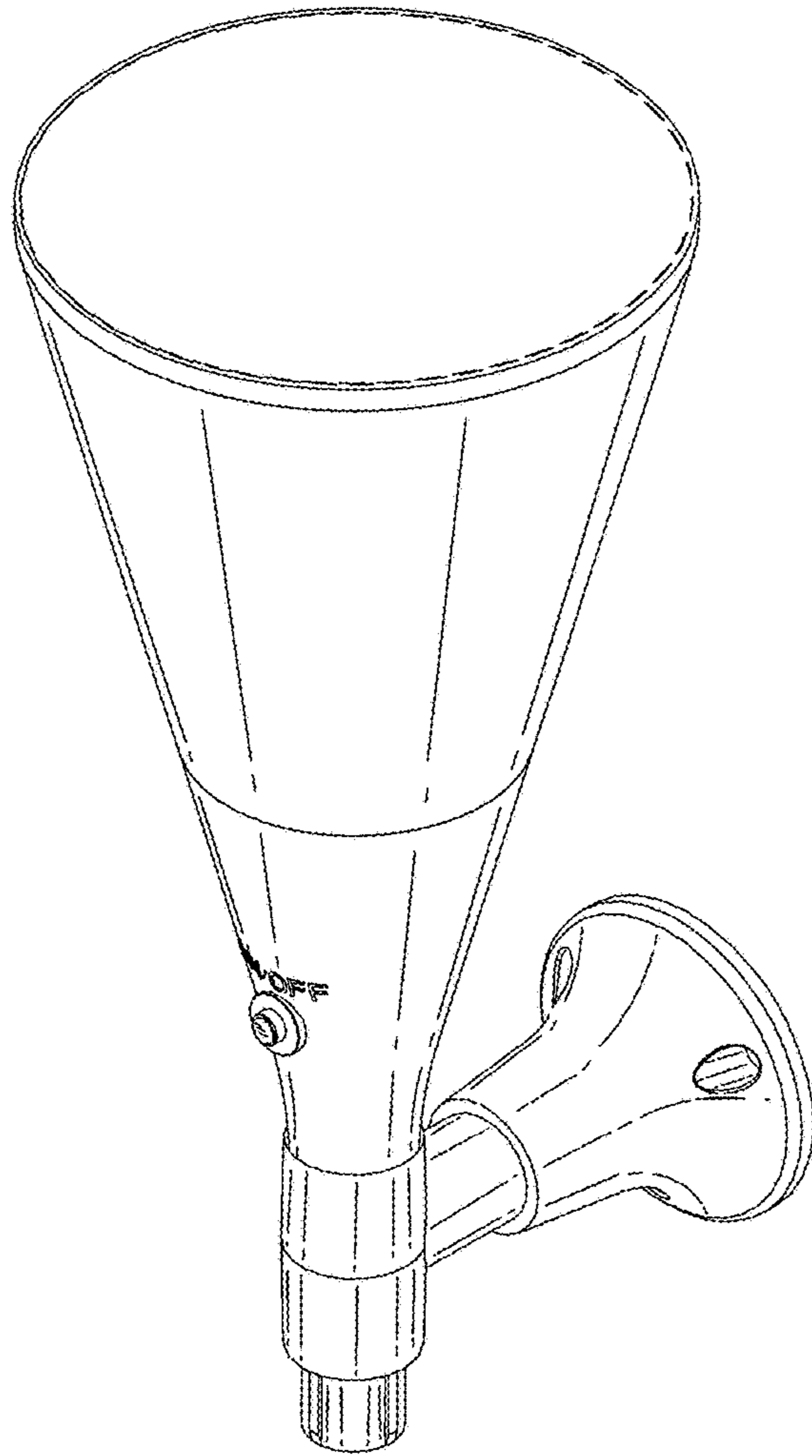


Fig. 7