



US00D853618S

(12) **United States Design Patent** (10) **Patent No.:** **US D853,618 S**  
**Coirier** (45) **Date of Patent:** **\*\* Jul. 9, 2019**

(54) **LIGHTING FIXTURE**  
(71) Applicant: **SIGNIFY HOLDING B.V.**, Eindhoven (NL)  
(72) Inventor: **Florent Coirier**, Paris (FR)  
(73) Assignee: **SIGNIFY HOLDING B.V.**, Eindhoven (NL)  
(\* ) Notice: This patent is subject to a terminal disclaimer.  
(\*\*) Term: **15 Years**  
(21) Appl. No.: **29/616,054**  
(22) Filed: **Sep. 1, 2017**

D469,212 S *	1/2003	Chiu .....	D26/118
D601,741 S *	10/2009	Trott .....	D26/118
D610,289 S *	2/2010	Yoshinobu .....	D26/74
D698,970 S *	2/2014	Guzzini .....	D26/74
D713,585 S *	9/2014	Van Lierde .....	D26/66
D740,996 S *	10/2015	Tragatschnig .....	D26/118
D769,502 S *	10/2016	Van Lierde .....	D26/74
D779,101 S *	2/2017	Redfern .....	D26/74
D785,227 S *	4/2017	Guzzini .....	D26/74
D785,228 S *	4/2017	Guzzini .....	D26/74
D789,586 S *	6/2017	Guzzini .....	D26/74
D789,587 S *	6/2017	Salomon .....	D26/74
D805,674 S *	12/2017	Salomon .....	D26/74
D807,558 S *	1/2018	Guzzini .....	D26/74
D838,892 S *	1/2019	Redfern .....	D26/74

\* cited by examiner

*Primary Examiner* — Cathron C Brooks

(30) **Foreign Application Priority Data**  
Mar. 14, 2017 (EM) ..... 003799584-0001  
(51) **LOC (11) Cl.** ..... **26-05**  
(52) **U.S. Cl.**  
USPC ..... **D26/74**  
(58) **Field of Classification Search**  
USPC ..... D26/72, 74, 79, 82, 83, 85, 88, 89  
CPC ..... F21V 21/02; F21V 21/04; F21V 21/042;  
F21V 21/044; F21V 21/047; F21V 29/00;  
F21V 29/2212; F21V 29/72; F21V 29/75;  
F21V 29/76; F21S 8/00; F21S 8/02; F21S  
8/026; F21S 8/04; F21S 2/005  
See application file for complete search history.

(57) **CLAIM**

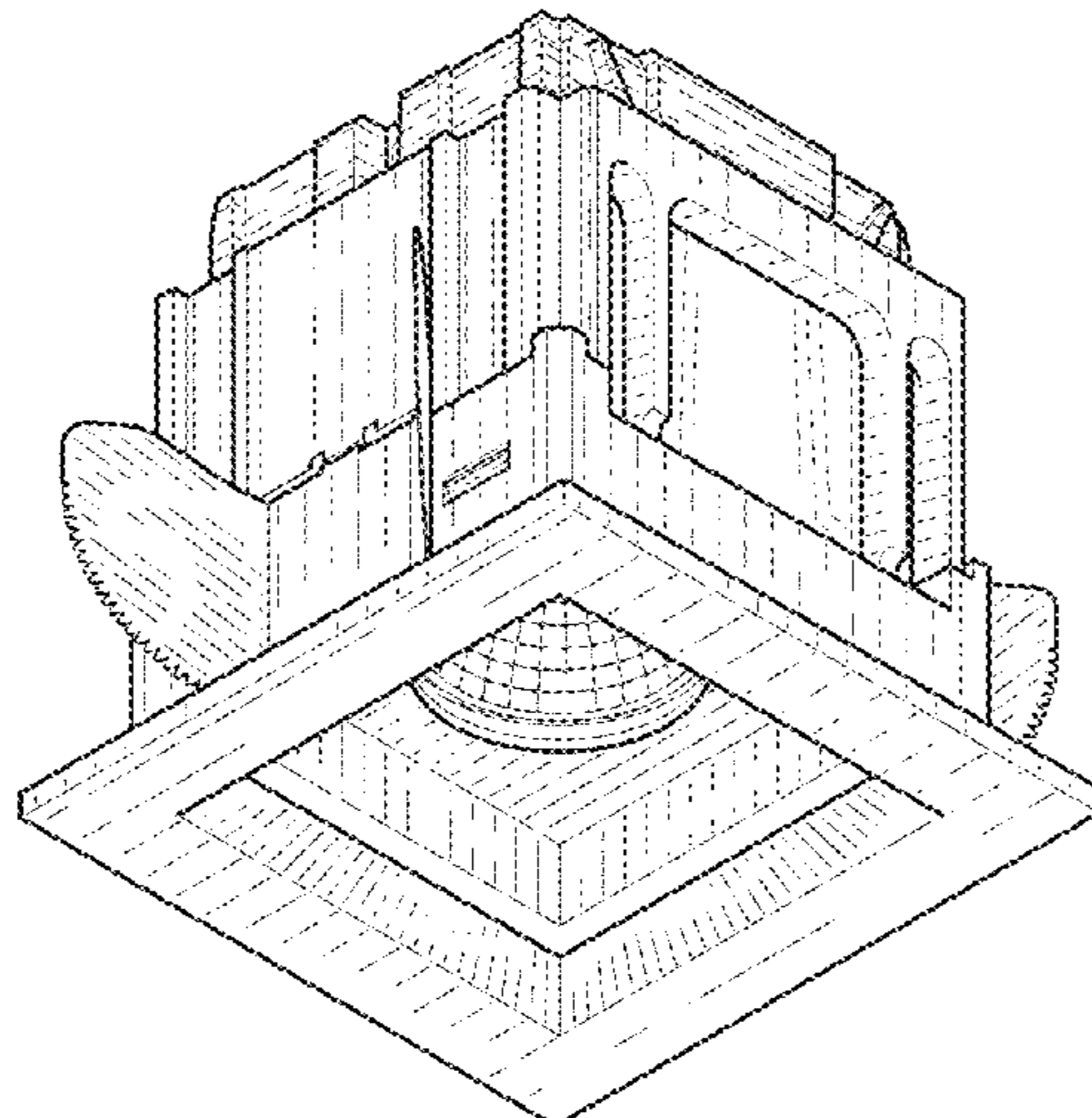
The ornamental design for a “lighting fixture”, as shown and described.

**DESCRIPTION**

FIG. 1 is a perspective view showing my design;  
FIG. 2 is a front elevational view thereof;  
FIG. 3 is a rear elevational view thereof;  
FIG. 4 is a right side elevational view thereof;  
FIG. 5 is a left side elevational view thereof;  
FIG. 6 is a top plan view thereof; and,  
FIG. 7 is a bottom plan view thereof.  
The broken lines in the reproductions illustrate portions of the lighting fixture that form not part of the claimed design.

(56) **References Cited**  
U.S. PATENT DOCUMENTS  
2,626,120 A \* 1/1953 Baker ..... F21V 21/02  
174/62  
D315,417 S \* 3/1991 Ziaylek, Jr. et al. .... D26/28

**1 Claim, 4 Drawing Sheets**



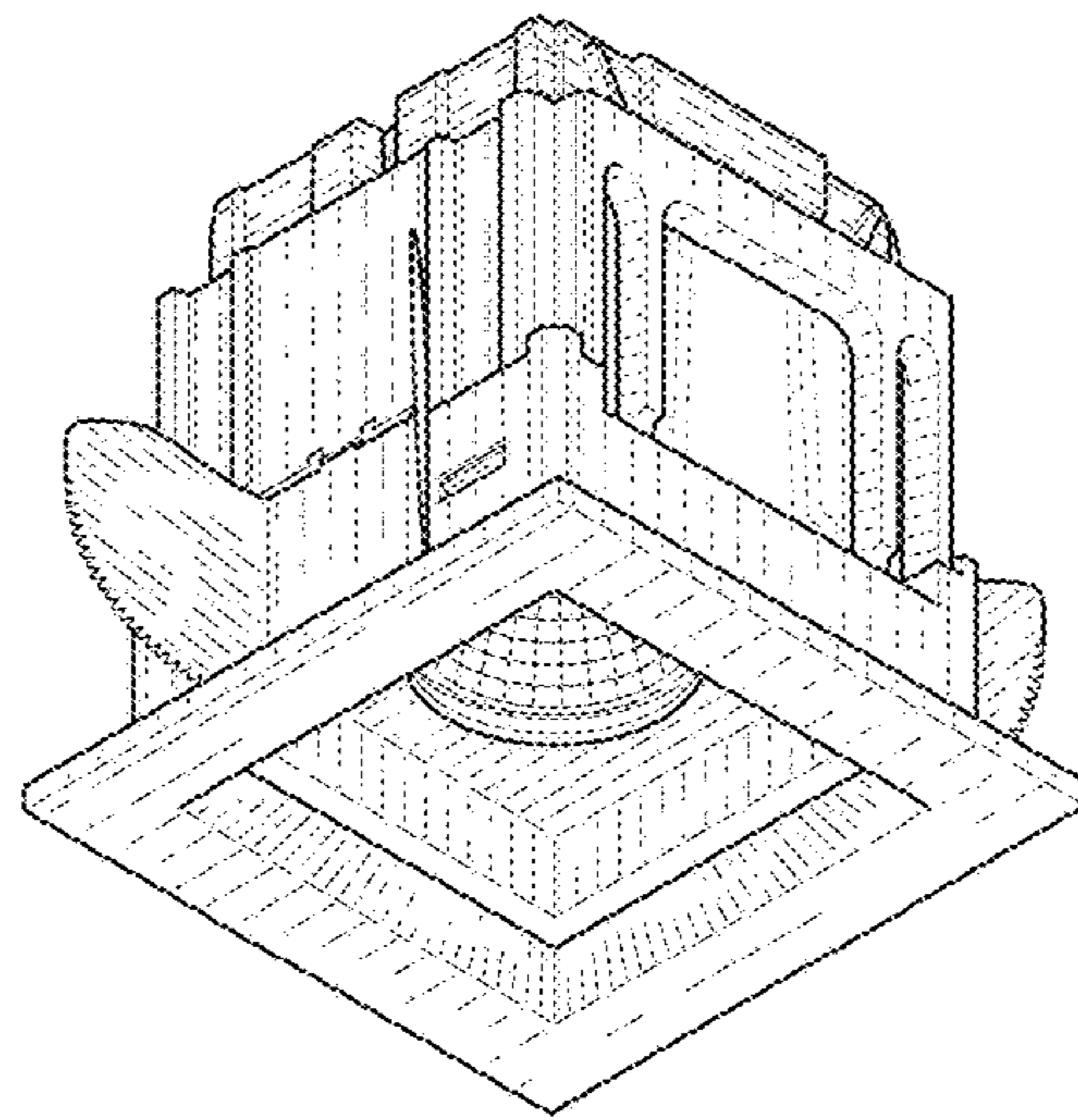


FIG. 1

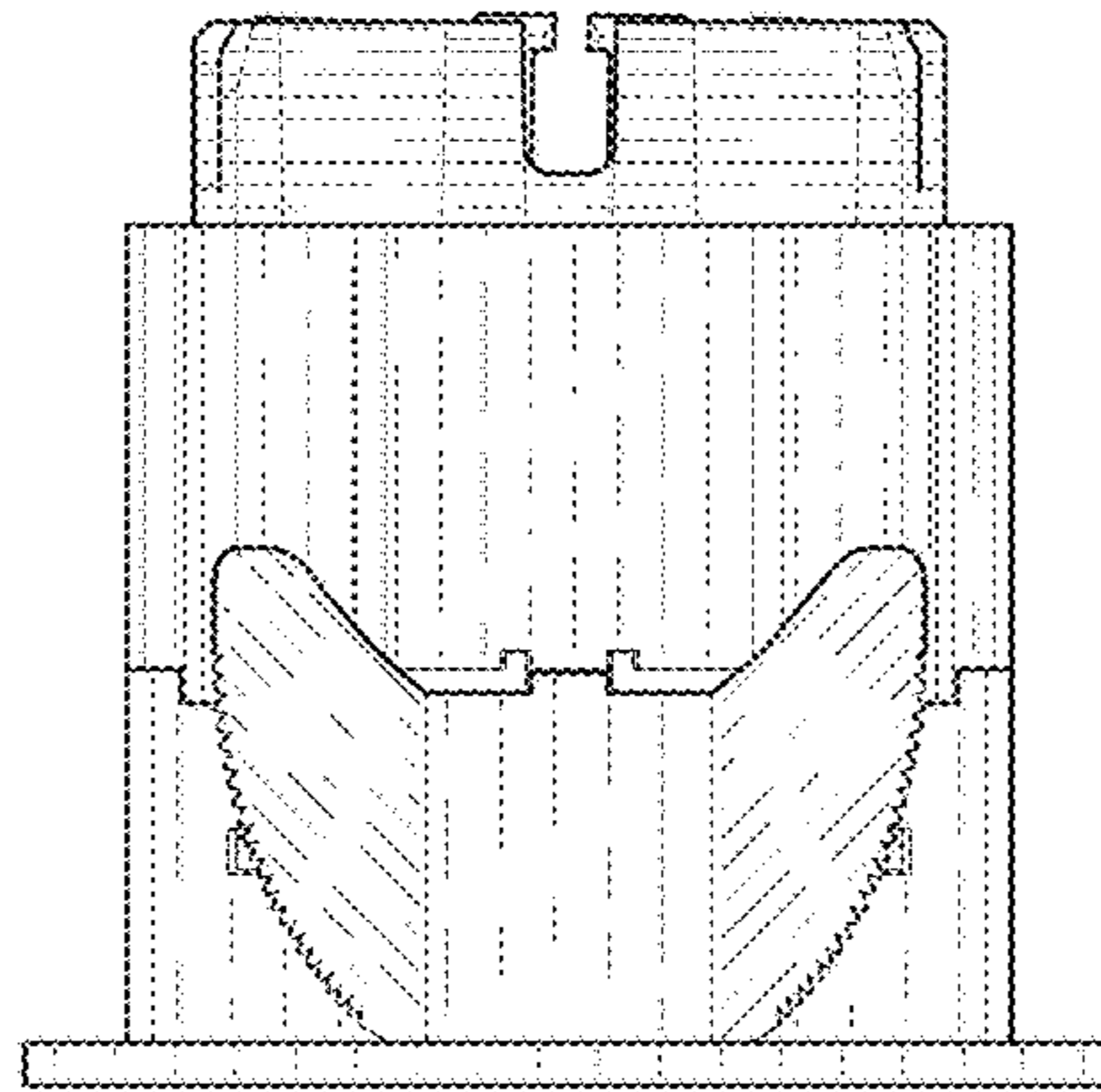


FIG. 2

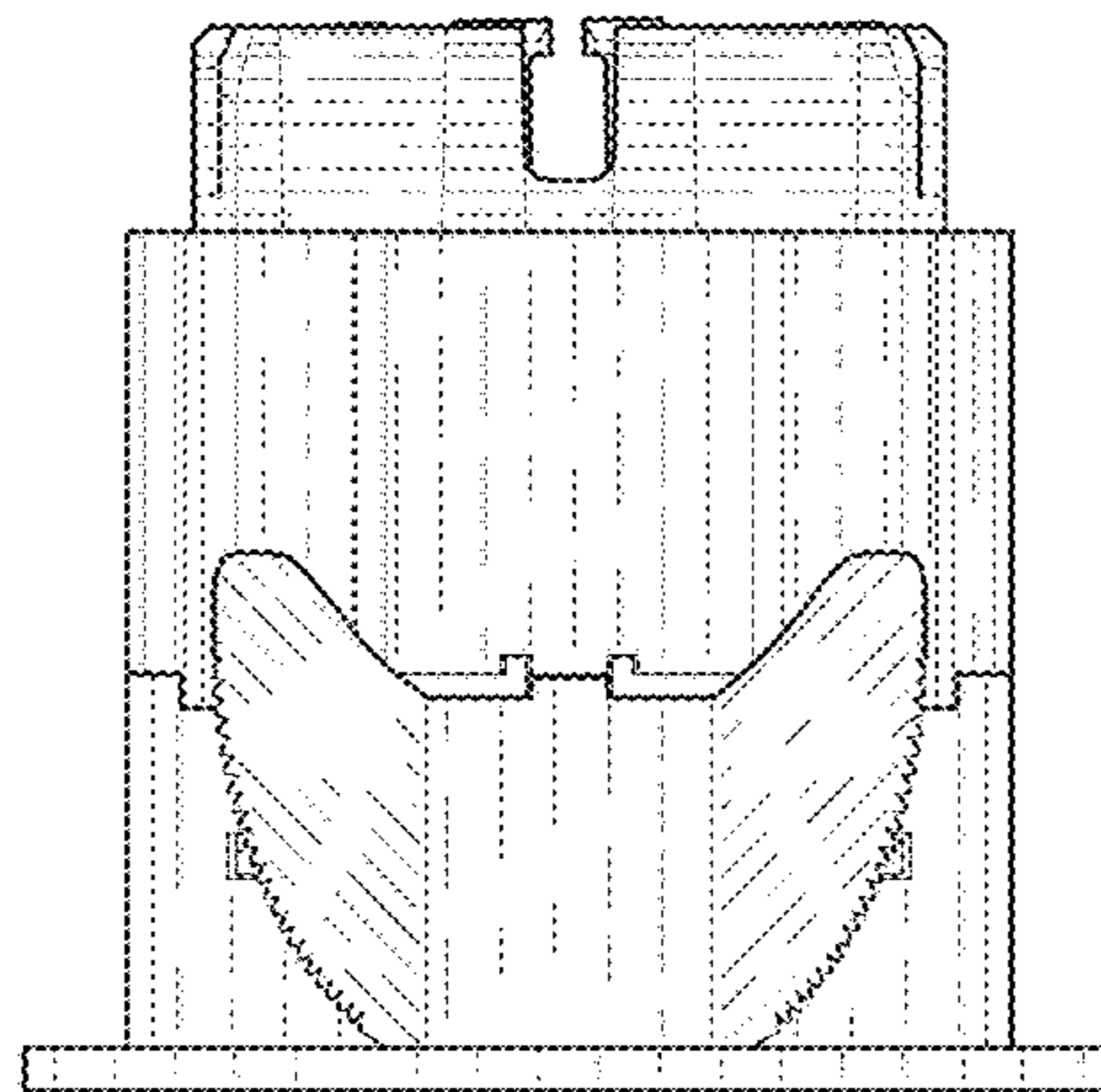


FIG. 3

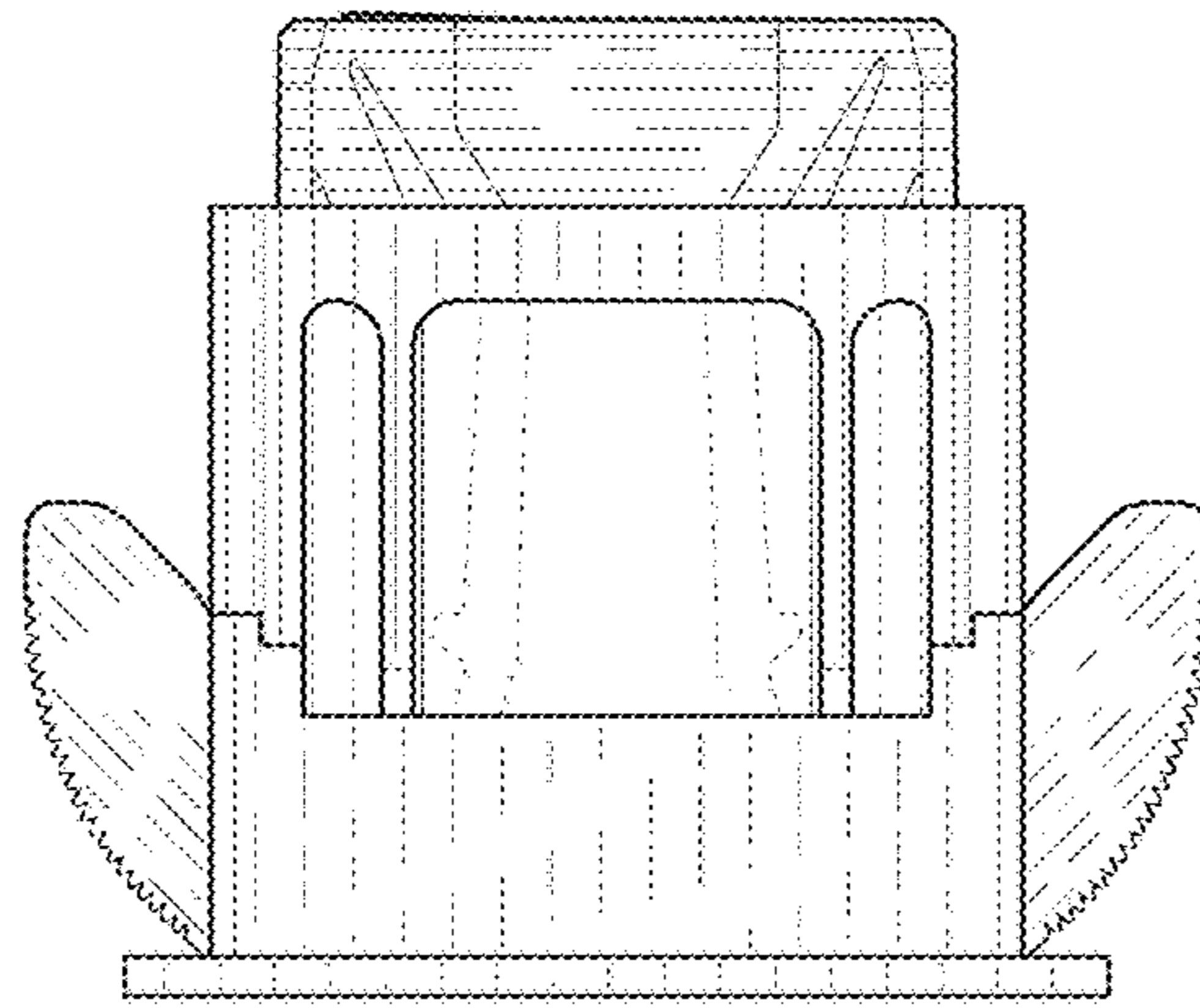


FIG. 4

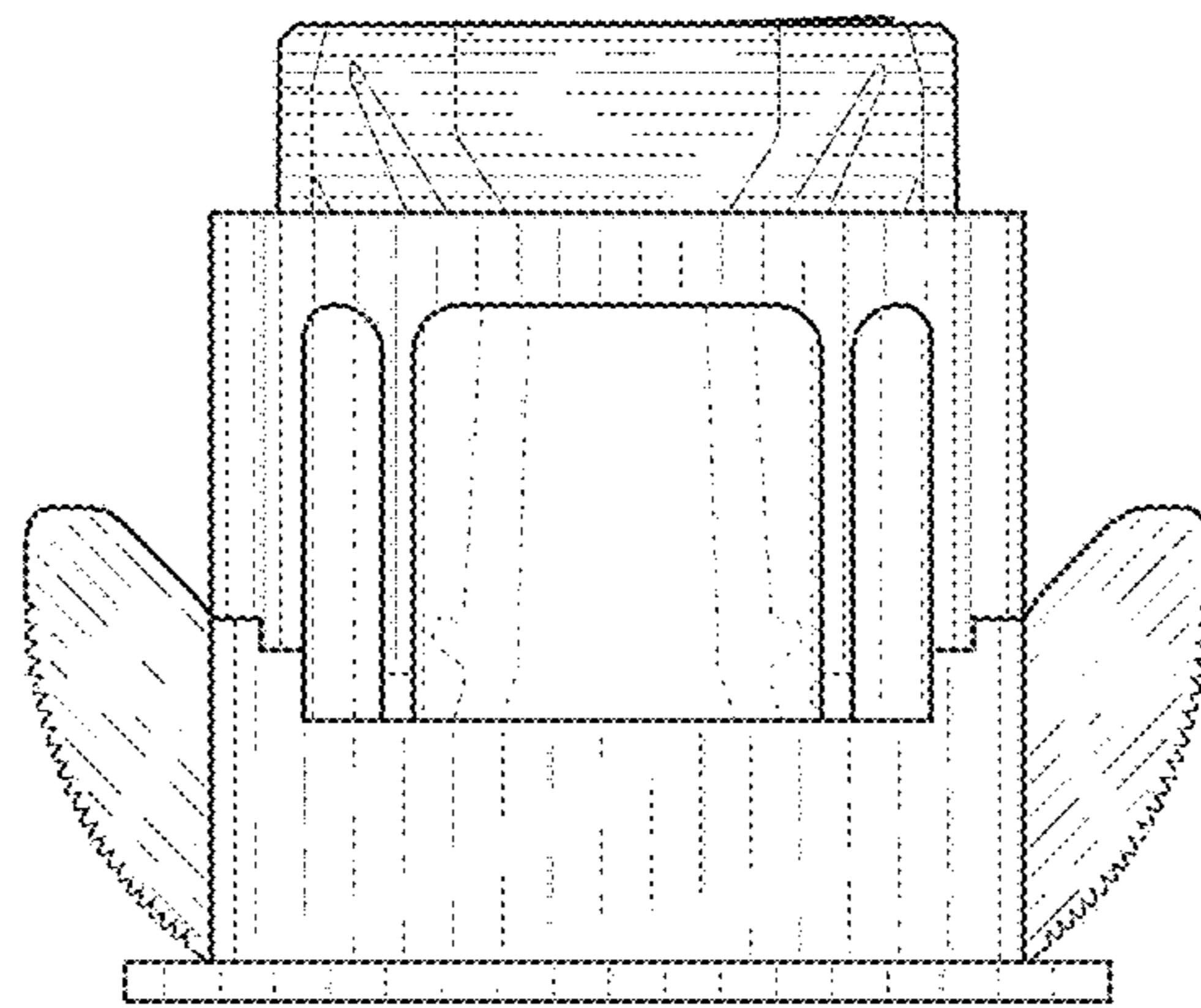


FIG. 5

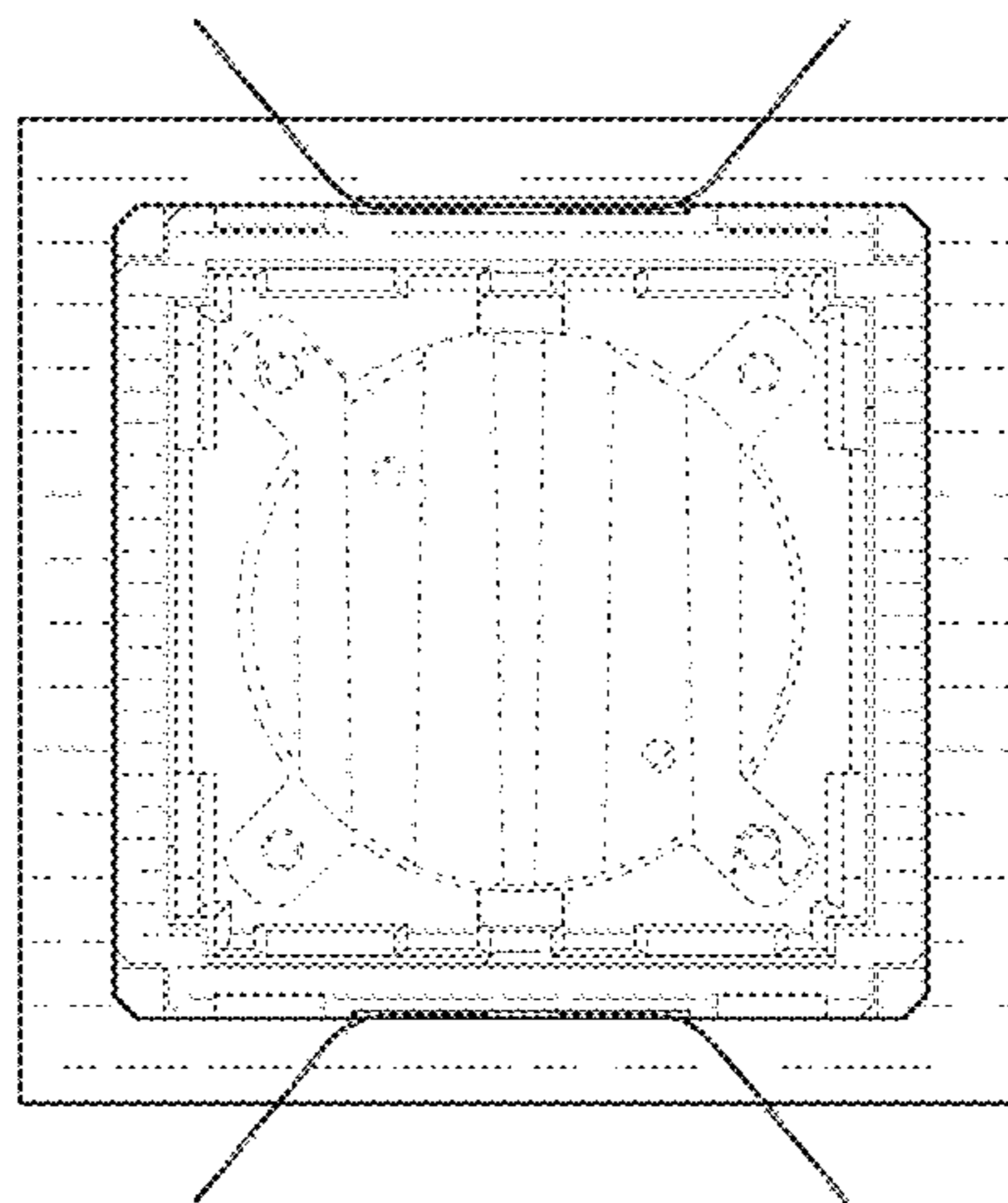


FIG. 6

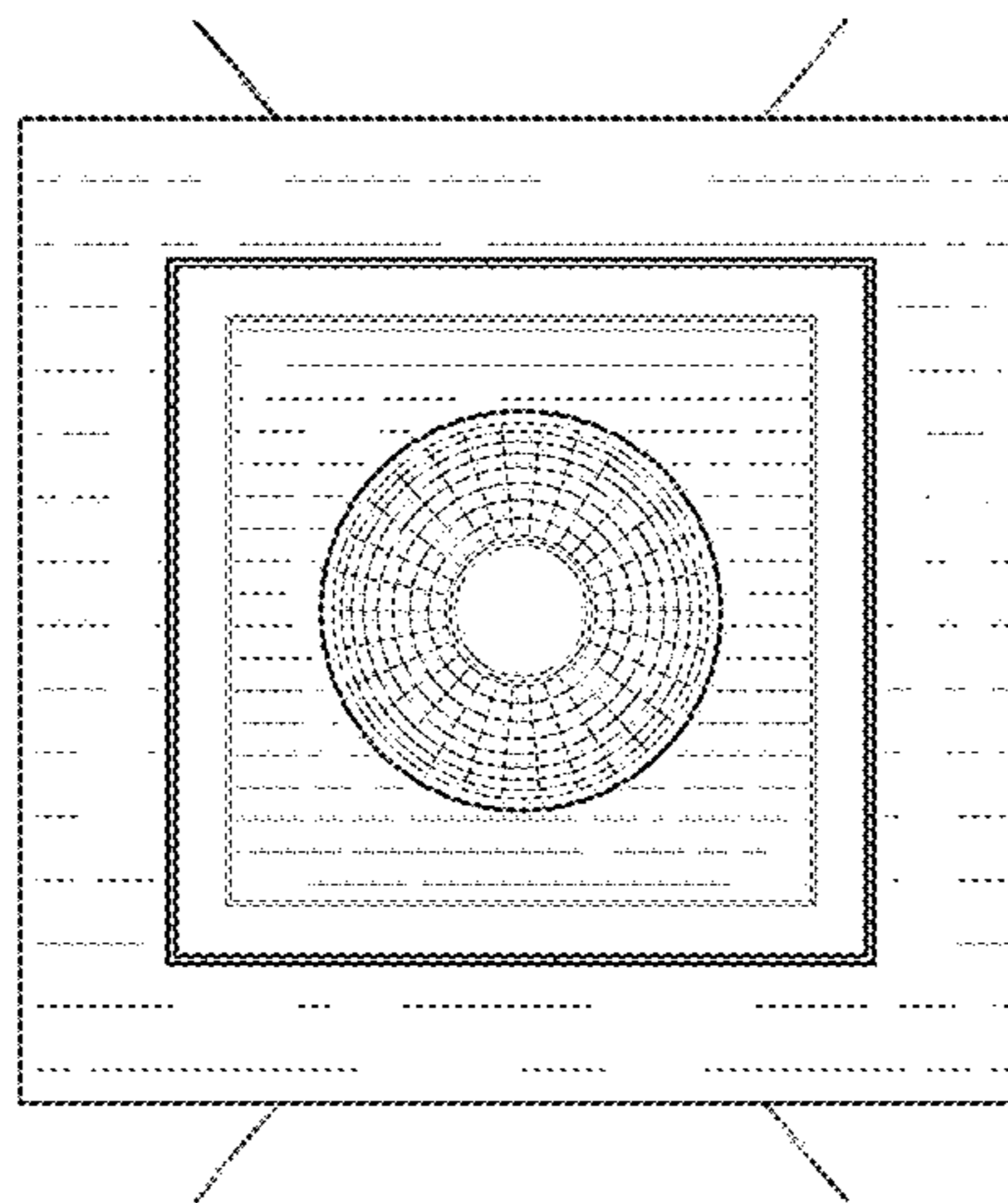


FIG. 7