



US00D853616S

(12) **United States Design Patent**  
**Salas**

(10) **Patent No.:** **US D853,616 S**  
(45) **Date of Patent:** **\*\* Jul. 9, 2019**

- (54) **LIGHTING FIXTURE**
- (71) Applicant: **KENALL MANUFACTURING COMPANY**, Kenosha, WI (US)
- (72) Inventor: **Filemon Salas**, Woodstock, IL (US)
- (73) Assignee: **KENALL MANUFACTURING COMPANY**, Kenosha, WI (US)
- (\*\*) Term: **15 Years**
- (21) Appl. No.: **29/595,826**
- (22) Filed: **Mar. 2, 2017**
- (51) **LOC (11) Cl.** ..... **26-05**
- (52) **U.S. Cl.**  
USPC ..... **D26/74**
- (58) **Field of Classification Search**  
USPC ..... D26/74, 72, 75, 76, 77, 78, 85, 88, 89,  
D26/118, 138, 141; 362/364, 365, 373,  
362/145, 146, 147, 148, 150, 153, 153.1,  
362/294, 296.01, 296, 296.08  
CPC ..... F21V 29/2262; F21V 7/06; F21V 21/044;  
F21V 21/047; F21V 29/2212; F21V  
29/2225; F21V 29/2256; F21V 29/225;  
F21V 29/2268; F21Y 2111/002; F21S  
8/02; F21S 8/026  
See application file for complete search history.

- D633,244 S \* 2/2011 Kramer ..... D26/80
- D647,246 S \* 10/2011 Chadwick ..... D26/138
- D679,860 S \* 4/2013 Maxik ..... D26/141
- D745,735 S \* 12/2015 Tran ..... D26/80
- D763,496 S \* 8/2016 Tran ..... D26/88
- D793,604 S \* 8/2017 Whitter ..... D26/80
- D822,269 S \* 7/2018 Oquendo, Jr. .... D26/155

\* cited by examiner

*Primary Examiner* — Angela J Lee

(74) *Attorney, Agent, or Firm* — Marshall, Gerstein & Borun LLP

(57) **CLAIM**

The ornamental design for a lighting fixture, as shown and described.

**DESCRIPTION**

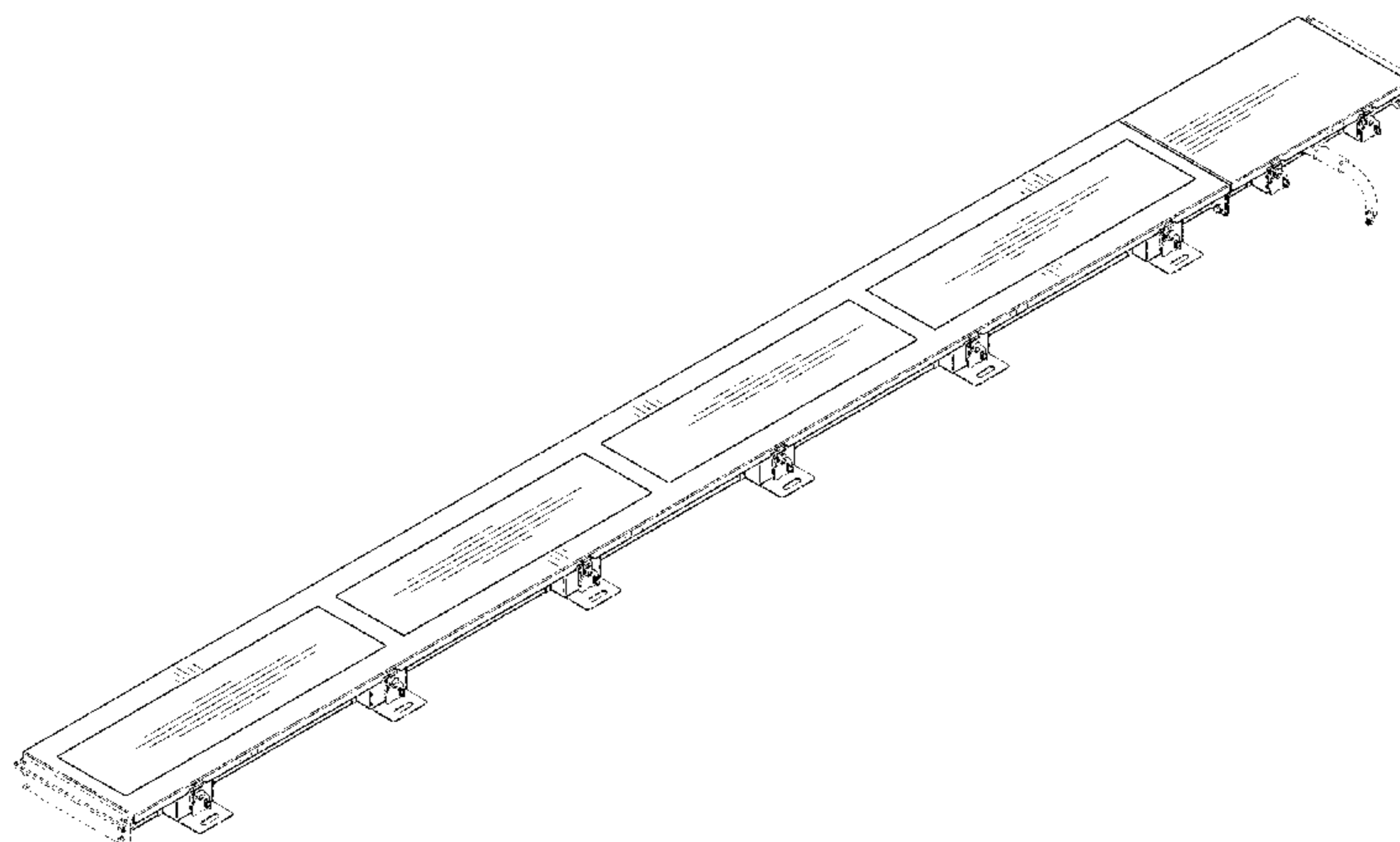
FIG. 1 is a perspective view showing a new design for a lighting fixture;  
 FIG. 2 is a left side view of the lighting fixture of FIG. 1;  
 FIG. 3 is a right side view of the lighting fixture of FIG. 1;  
 FIG. 4 is a front view of the lighting fixture of FIG. 1;  
 FIG. 5 is a rear view of the lighting fixture of FIG. 1;  
 FIG. 6 is a top view of the lighting fixture of FIG. 1;  
 FIG. 7 is a bottom view of the lighting fixture of FIG. 1;  
 FIG. 8 is a perspective view showing an alternative new design for a lighting fixture;  
 FIG. 9 is a left side view of the lighting fixture of FIG. 8;  
 FIG. 10 is a right side view of the lighting fixture of FIG. 8;  
 FIG. 11 is a front view of the lighting fixture of FIG. 8;  
 FIG. 12 is a rear view of the lighting fixture of FIG. 8;  
 FIG. 13 is a top view of the lighting fixture of FIG. 8; and,  
 FIG. 14 is a bottom view of the lighting fixture of FIG. 8.  
 The dashed lines showing portions of the lighting fixture are included for the purpose of illustrating environment and form no part of the claimed design.

**1 Claim, 6 Drawing Sheets**

(56) **References Cited**

**U.S. PATENT DOCUMENTS**

- 6,247,828 B1 \* 6/2001 Herst ..... F21S 8/06  
362/217.03
- D480,494 S \* 10/2003 Targetti ..... D26/72
- D522,165 S \* 5/2006 Hubbell ..... D26/120
- D573,730 S \* 7/2008 Uemoto ..... D26/1
- D595,887 S \* 7/2009 Blom ..... D26/51



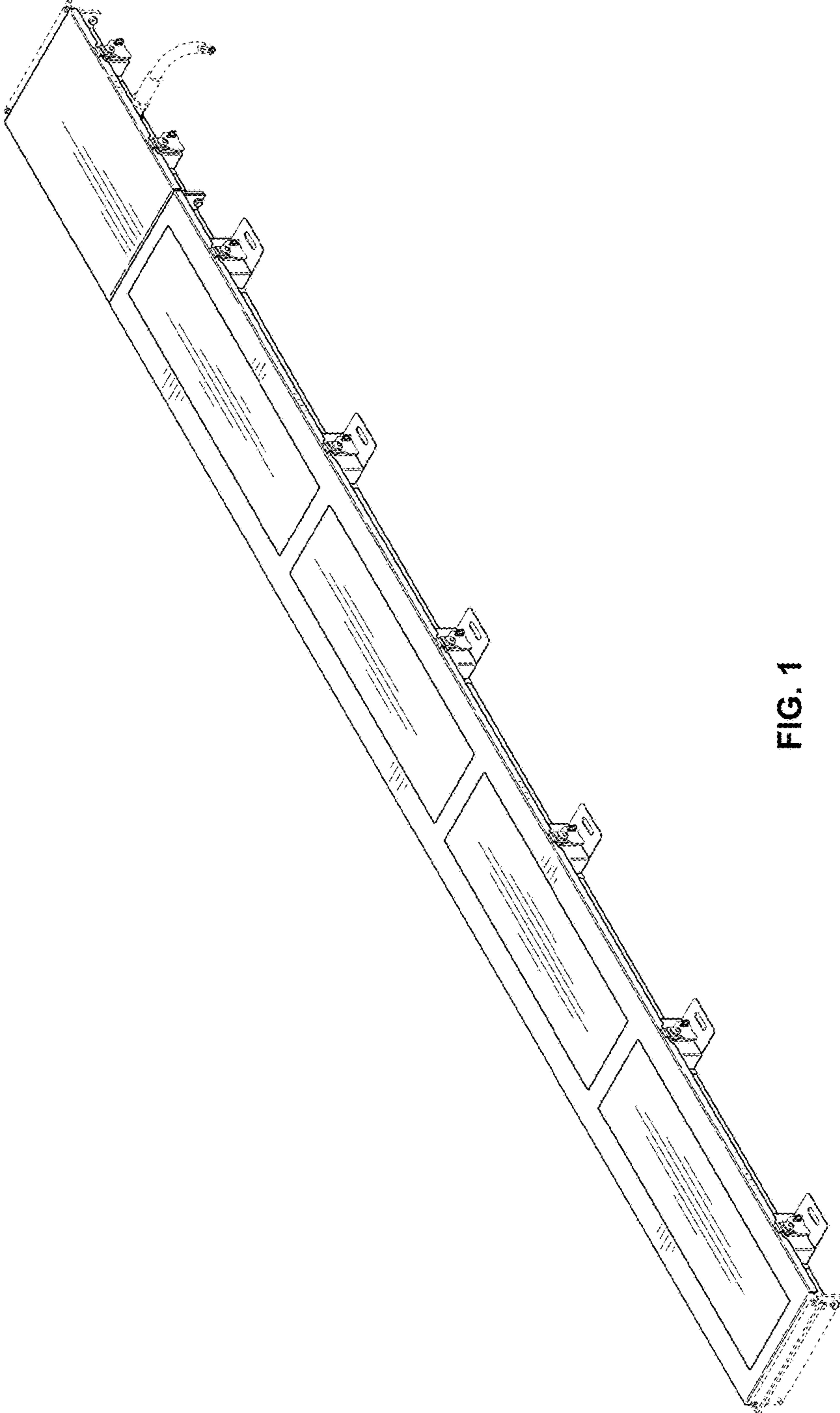


FIG. 1

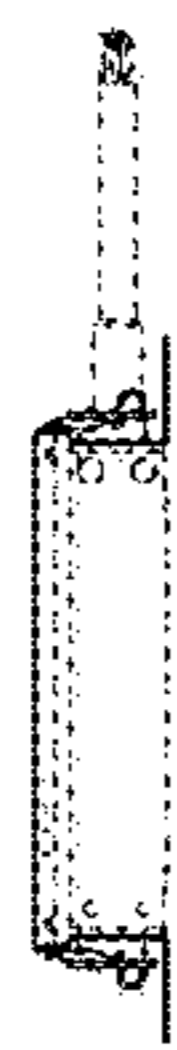


FIG. 2



FIG. 3



FIG. 4



FIG. 5

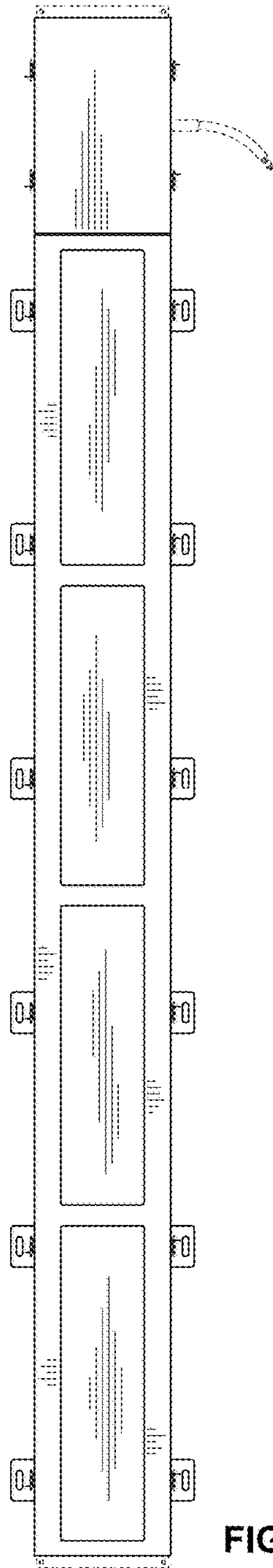


FIG. 6

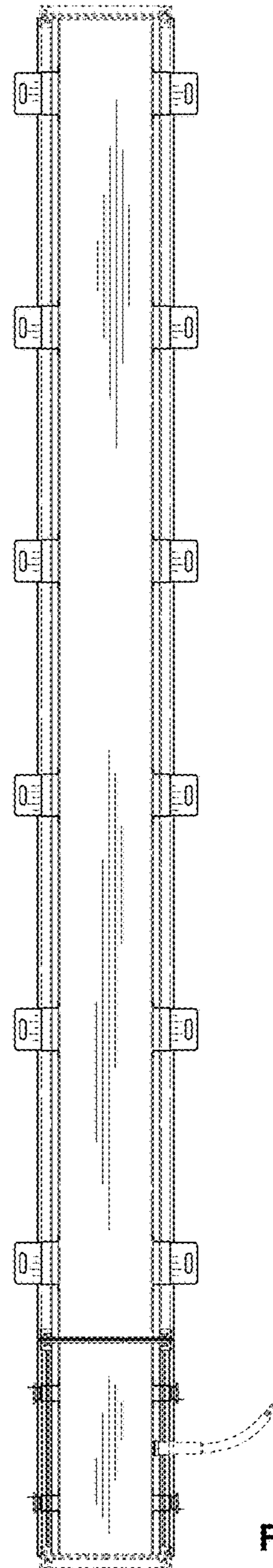


FIG. 7

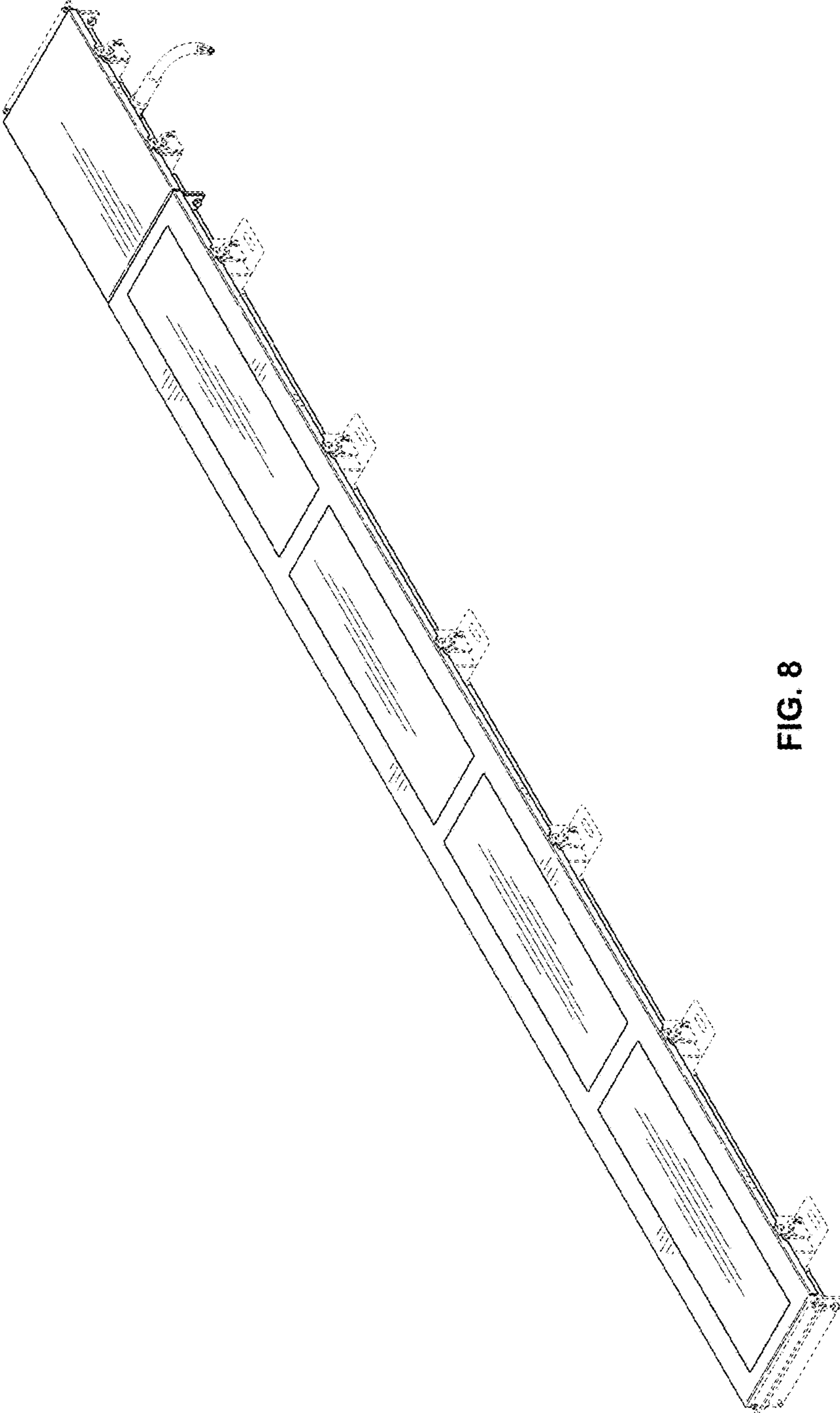


FIG. 8

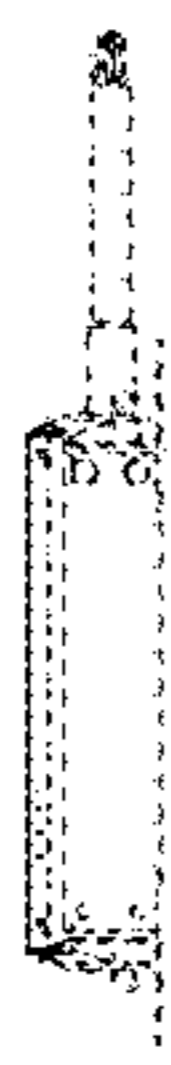


FIG. 9



FIG. 10



FIG. 11

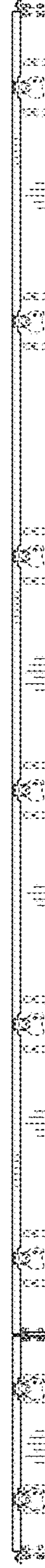


FIG. 12

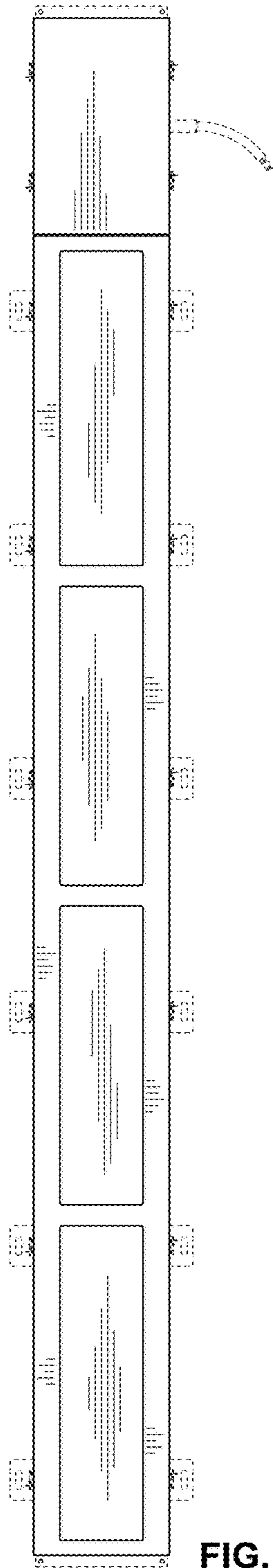


FIG. 13

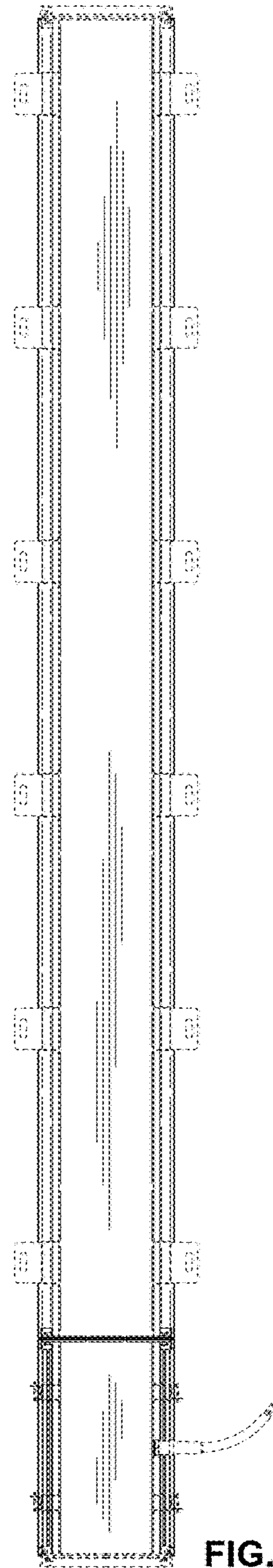


FIG. 14