



US00D853615S

(12) **United States Design Patent**  
**Ahrari et al.**

(10) **Patent No.:** **US D853,615 S**  
(45) **Date of Patent:** **\*\* Jul. 9, 2019**

(54) **LUMINAIRE**

(71) Applicant: **Hubbell Incorporated**, Shelton, CT  
(US)

(72) Inventors: **Armin Ahrari**, Chino, CA (US);  
**Michael Neuer**, Covina, CA (US);  
**Edward Duncan**, Chino, CA (US);  
**Dean Dal Ponte**, Glendale, CA (US);  
**Syed Raza**, Rancho Palos Verdes, CA  
(US); **Jeffrey McClow**, Greer, SC (US)

(73) Assignee: **Hubbell Incorporated**, Shelton, CT  
(US)

(\*\*) Term: **15 Years**

(21) Appl. No.: **29/602,954**

(22) Filed: **May 5, 2017**

(51) **LOC (11) Cl.** ..... **26-05**

(52) **U.S. Cl.**  
USPC ..... **D26/67**

(58) **Field of Classification Search**  
USPC ..... D10/111-115; D26/67-85, 92; D29/103  
CPC .. F21S 8/033; F21S 8/036; F21S 8/043; F21S  
8/081; F21S 8/085; F21S 8/086; F21S  
8/088; F21V 29/74; F21V 29/75; F21V  
29/83; F21V 29/507

See application file for complete search history.

(56) **References Cited**

**U.S. PATENT DOCUMENTS**

D468,478 S \* 1/2003 Landefeld ..... D26/106  
D482,481 S \* 11/2003 Landefeld ..... D26/61

(Continued)

**OTHER PUBLICATIONS**

Ouro Family Area Site & Roadway Commercial Outdoor Lighting  
(available online) Retrieved from the internet Oct. 17, 2018 from

URL: <https://www.hubbell.com/hubbellightingci/en/Products/Lighting-Controls/Commercial-Outdoor-Lighting/Area-Site-Roadway/c/535442>.\*

(Continued)

*Primary Examiner* — Kevin K Rudzinski  
*Assistant Examiner* — Richard Kearney  
(74) *Attorney, Agent, or Firm* — Michael Best &  
Friedrich, LLP

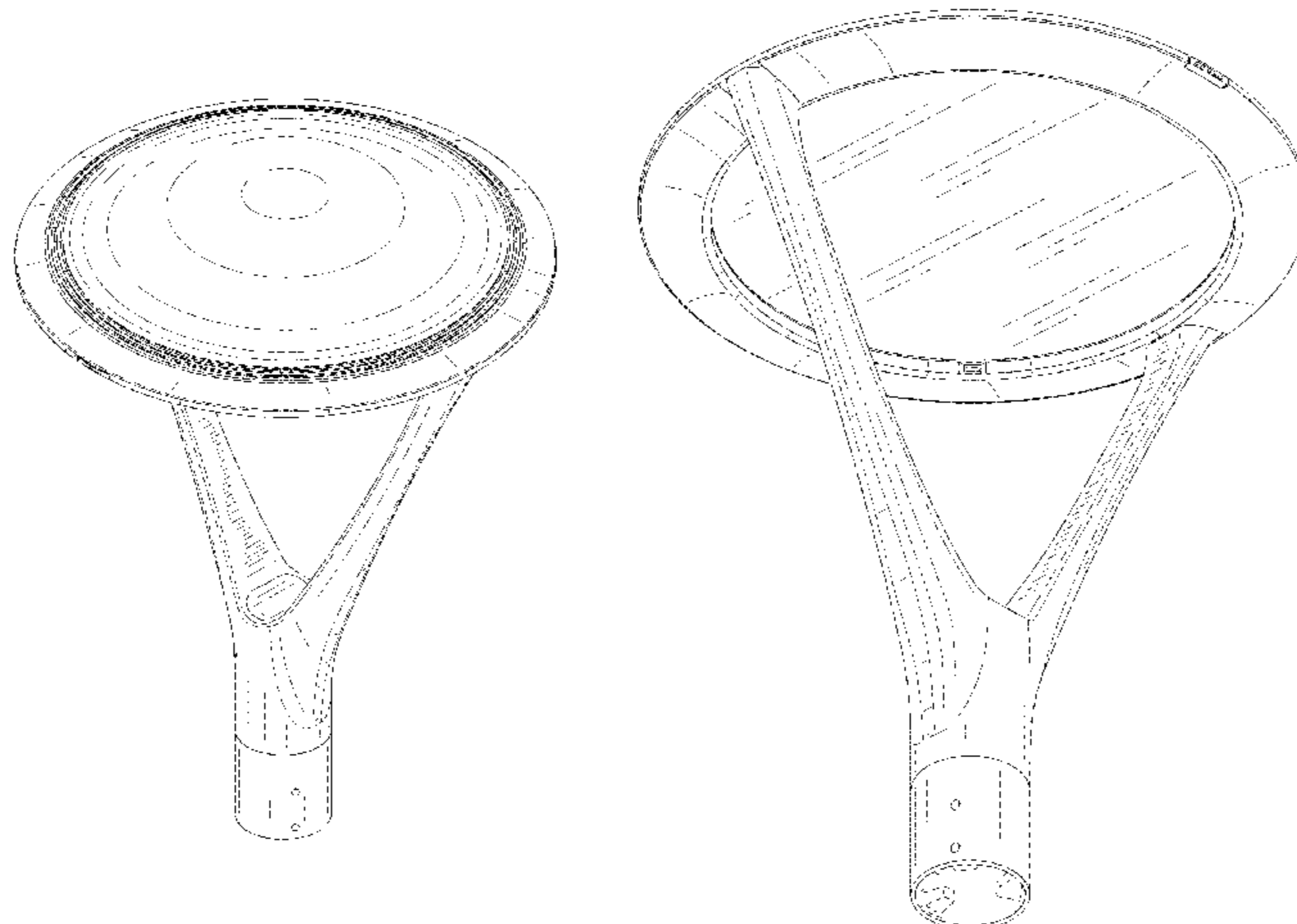
(57) **CLAIM**

We claim the ornamental design for a luminaire, as shown and described.

**DESCRIPTION**

FIG. 1 is an upper perspective view of a first embodiment of a luminaire showing the new design.  
FIG. 2 is a first elevation view of the luminaire shown in FIG. 1.  
FIG. 3 is a second elevation view of the luminaire shown in FIG. 1.  
FIG. 4 is a top plan view of the luminaire shown in FIG. 1.  
FIG. 5 is a bottom plan view of the luminaire shown in FIG. 1.  
FIG. 6 is a lower perspective view of the luminaire shown in FIG. 1.  
FIG. 7 is an upper perspective view of a second embodiment of a luminaire showing the new design.  
FIG. 8 is a first elevation view of the luminaire shown in FIG. 7.  
FIG. 9 is a second elevation view of the luminaire shown in FIG. 7.  
FIG. 10 is a top plan view of the luminaire shown in FIG. 7.  
FIG. 11 is a bottom plan view of the luminaire shown in FIG. 7; and,  
FIG. 12 is a lower perspective view of the luminaire shown in FIG. 7.  
The elements shown in broken lines are included for the purpose of illustrating portions of the luminaire that form no part of the claimed design.

**1 Claim, 12 Drawing Sheets**



(56)

**References Cited**

U.S. PATENT DOCUMENTS

|              |      |         |             |       |                          |
|--------------|------|---------|-------------|-------|--------------------------|
| D553,779     | S *  | 10/2007 | Butler      | ..... | D26/67                   |
| D577,847     | S *  | 9/2008  | Ruud        | ..... | D26/71                   |
| D591,885     | S *  | 5/2009  | Tortel      | ..... | D26/67                   |
| D592,342     | S *  | 5/2009  | Kinnune     | ..... | D26/67                   |
| D592,343     | S *  | 5/2009  | Wilcox      | ..... | D26/67                   |
| D599,496     | S *  | 9/2009  | Lodhie      | ..... | D26/67                   |
| D599,935     | S *  | 9/2009  | van Klinken | ..... | D26/67                   |
| D614,789     | S *  | 4/2010  | van Klinken | ..... | D26/67                   |
| D615,682     | S *  | 5/2010  | van Klinken | ..... | D26/67                   |
| D672,076     | S *  | 12/2012 | Guercio     | ..... | D26/70                   |
| 8,845,152    | B2 * | 9/2014  | Butler      | ..... | F21V 21/06<br>362/431    |
| D741,548     | S *  | 10/2015 | Ladewig     | ..... | D28/67                   |
| D786,467     | S *  | 5/2017  | Wan         | ..... | D26/67                   |
| D803,459     | S *  | 11/2017 | Wright      | ..... | D26/88                   |
| D823,517     | S *  | 7/2018  | Ladewig     | ..... | D26/71                   |
| 2009/0086491 | A1 * | 4/2009  | Ruud        | ..... | F21S 8/086<br>362/294    |
| 2009/0296392 | A1 * | 12/2009 | Wilcox      | ..... | F21S 8/081<br>362/249.02 |

OTHER PUBLICATIONS

TopTier Site LED (available online) Retrieved from the internet  
 Oct. 17, 2018 from URL: [http://www.cooperindustries.com/content/public/en/lighting/products/area\\_site\\_lighting/\\_892814.ssd.html](http://www.cooperindustries.com/content/public/en/lighting/products/area_site_lighting/_892814.ssd.html).\*

\* cited by examiner

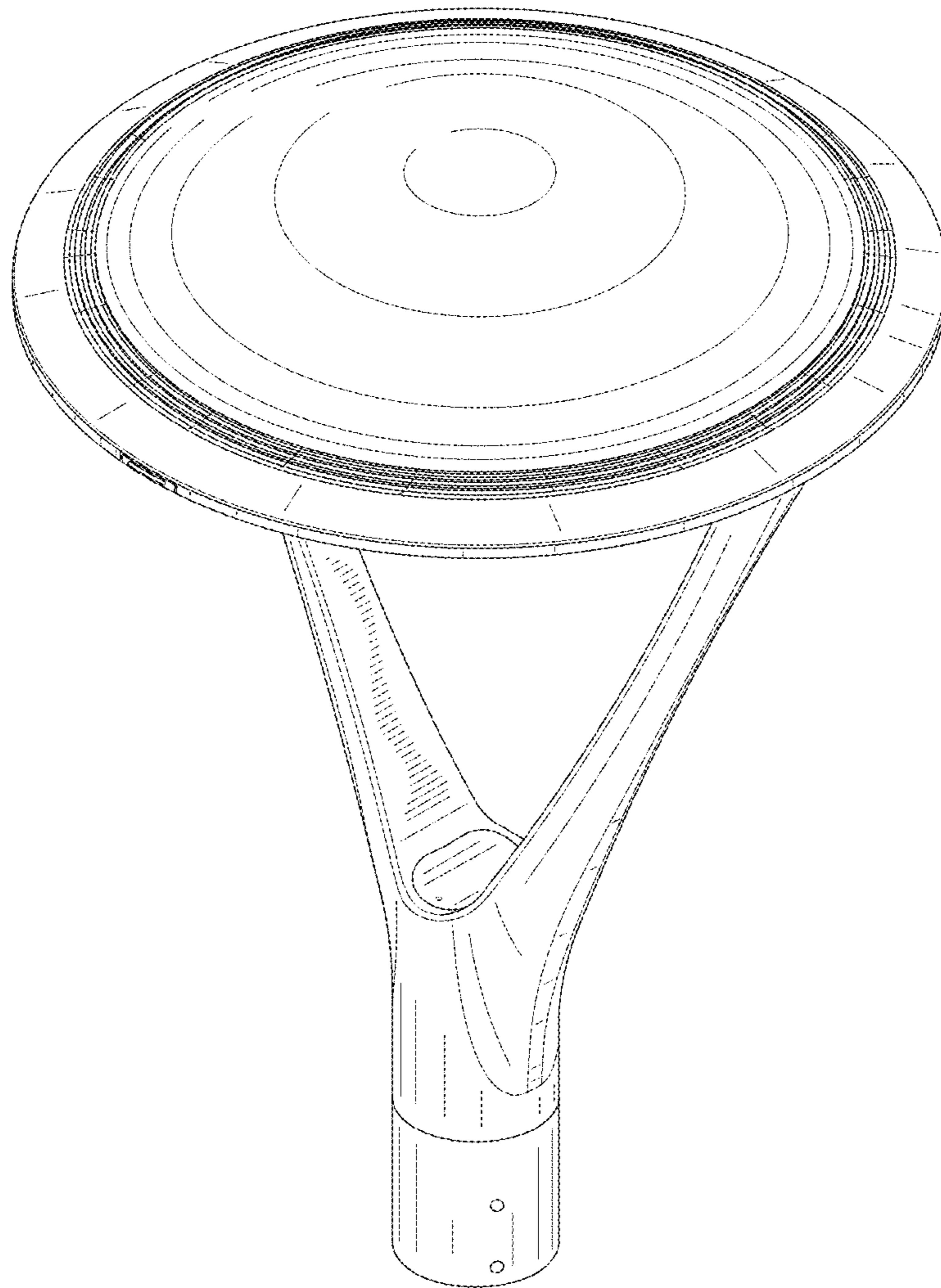


FIG. 1

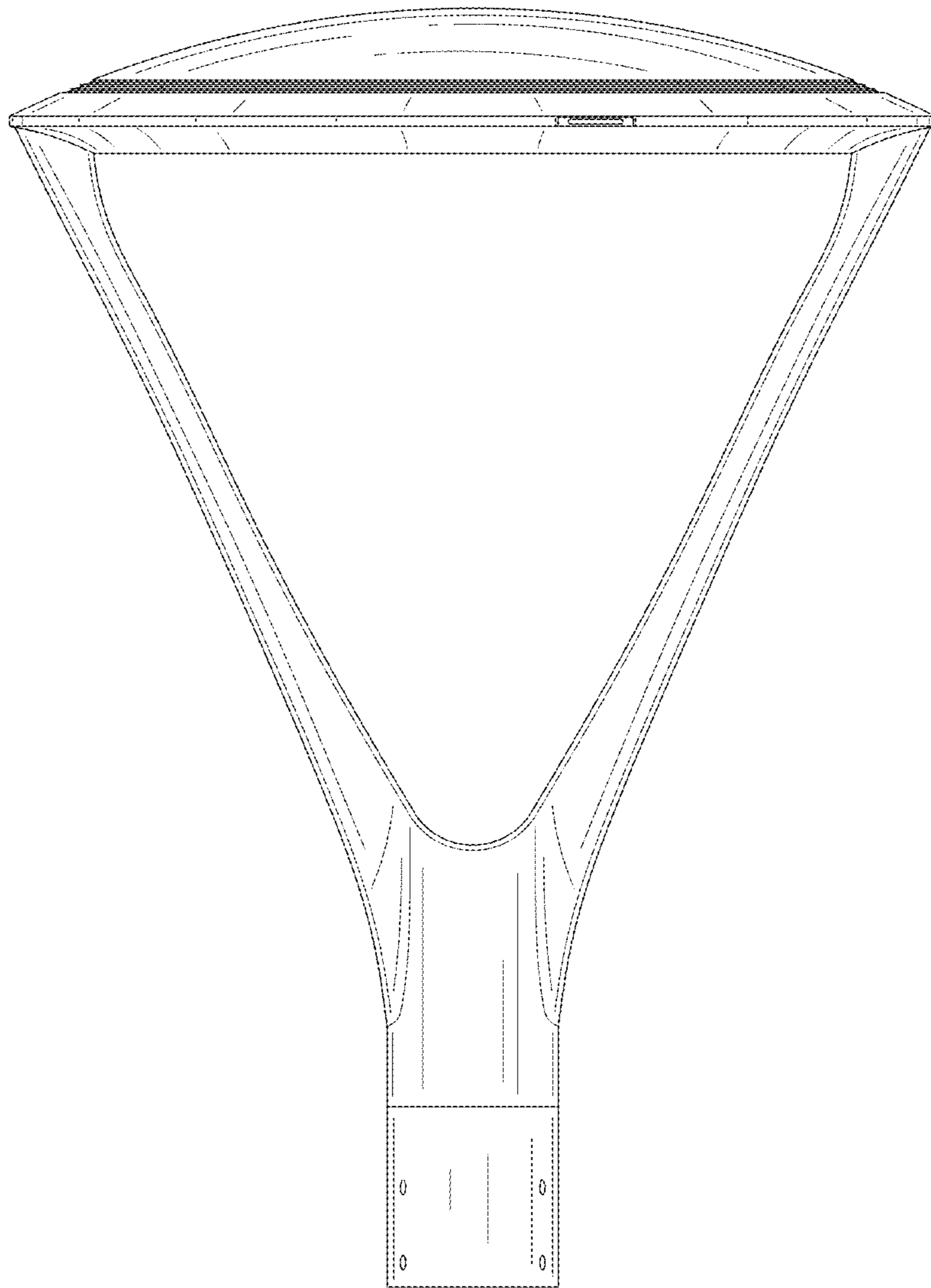


FIG. 2

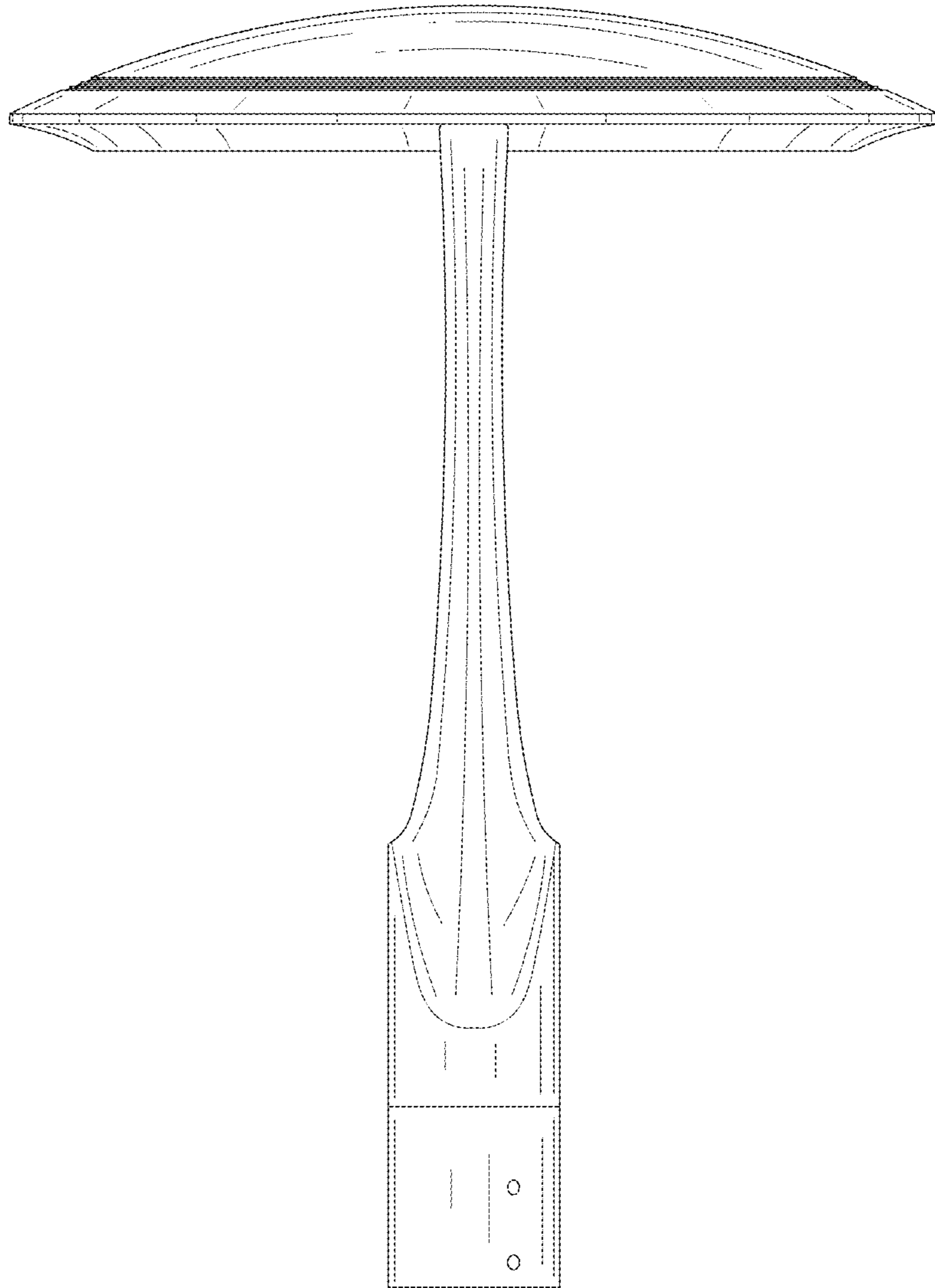


FIG. 3

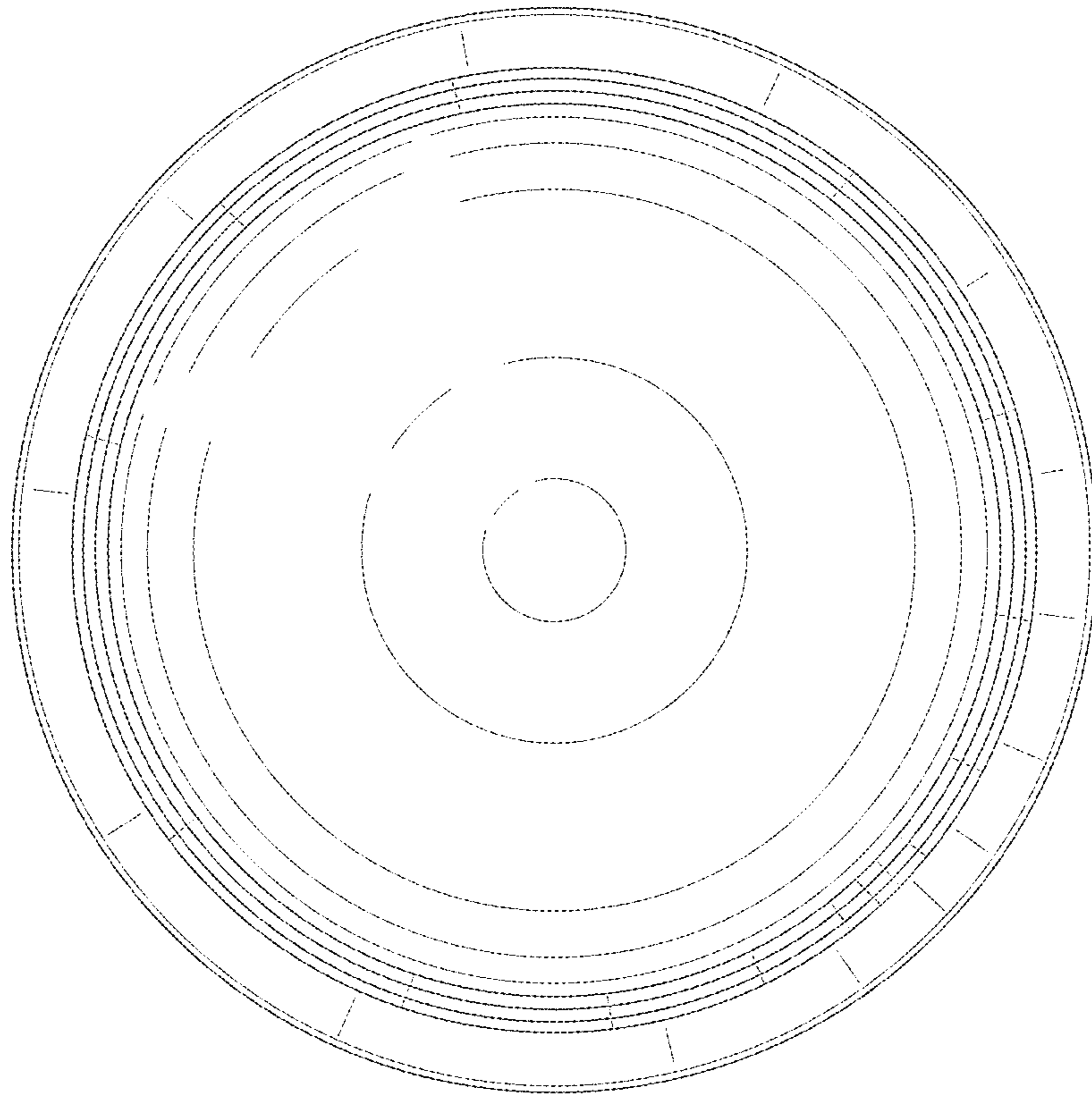


FIG. 4

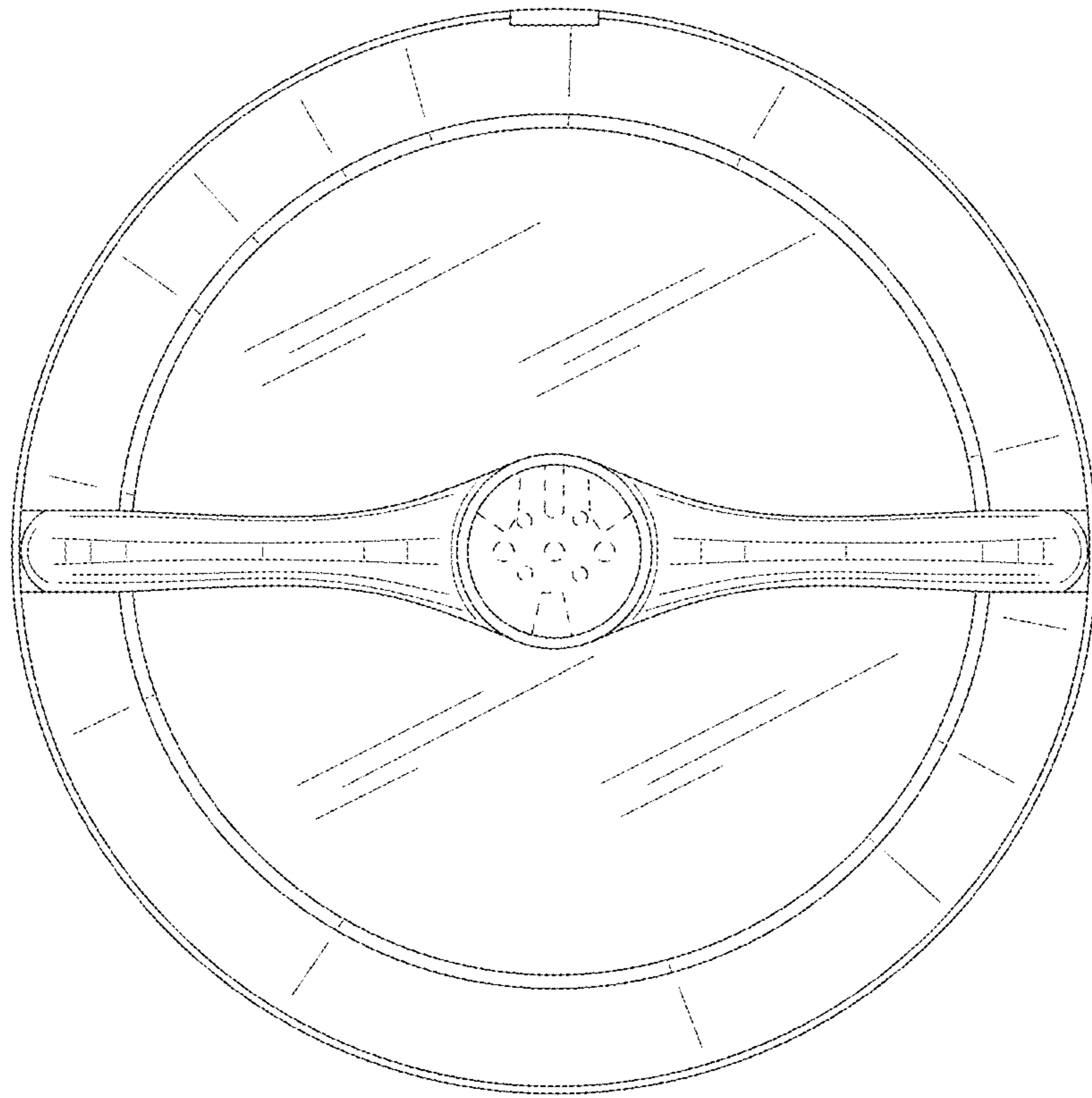


FIG. 5

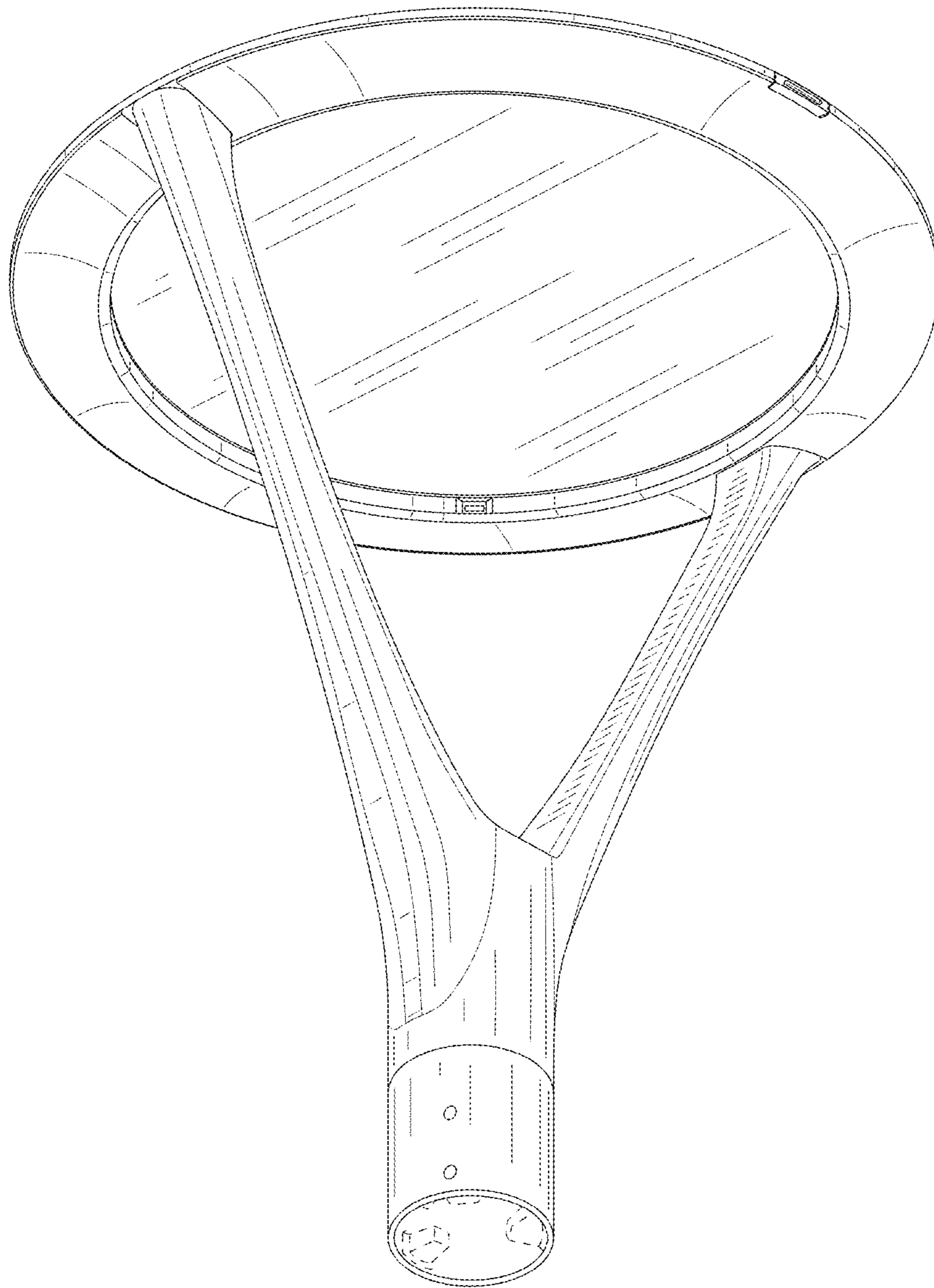


FIG. 6



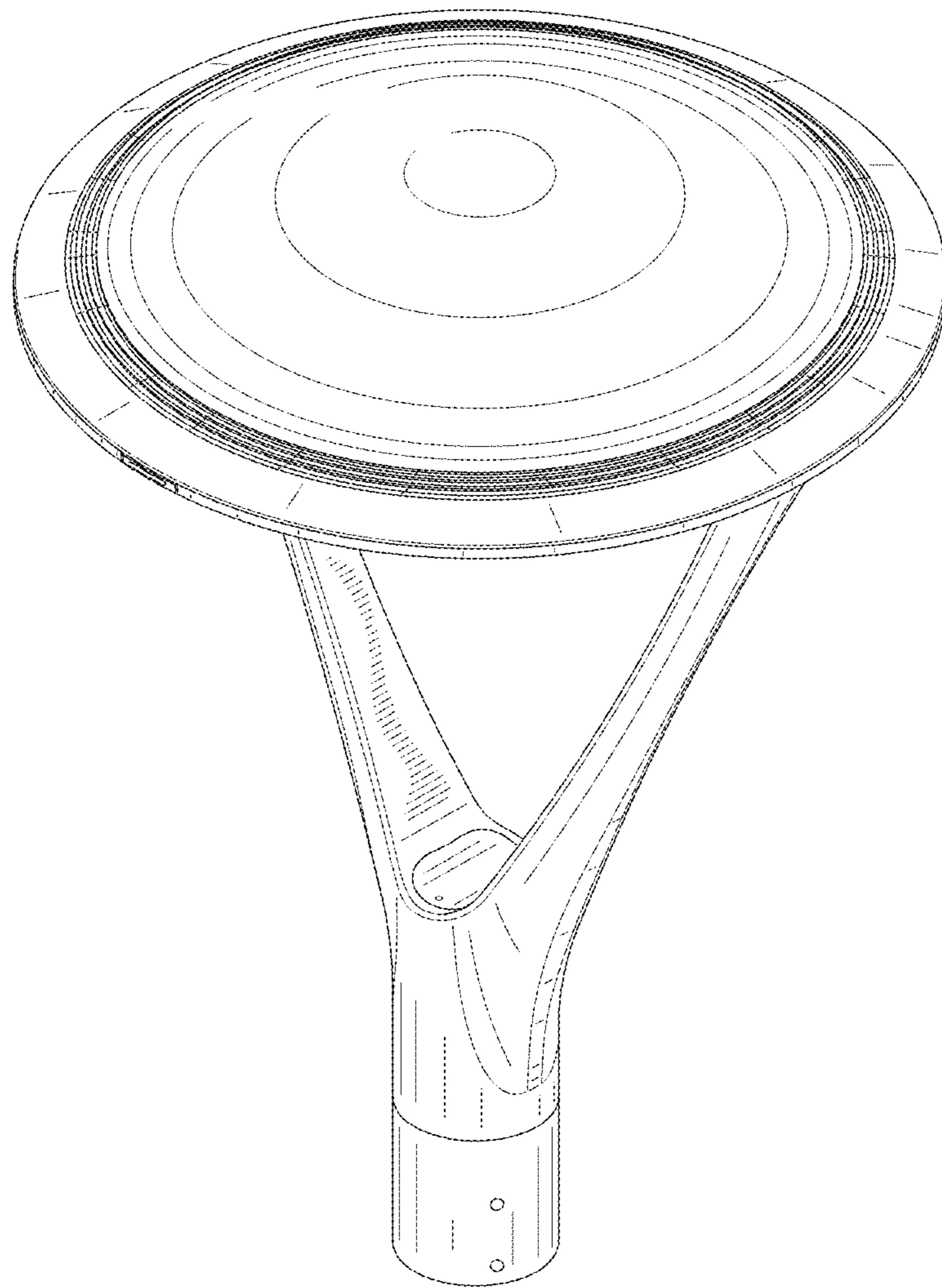


FIG. 7

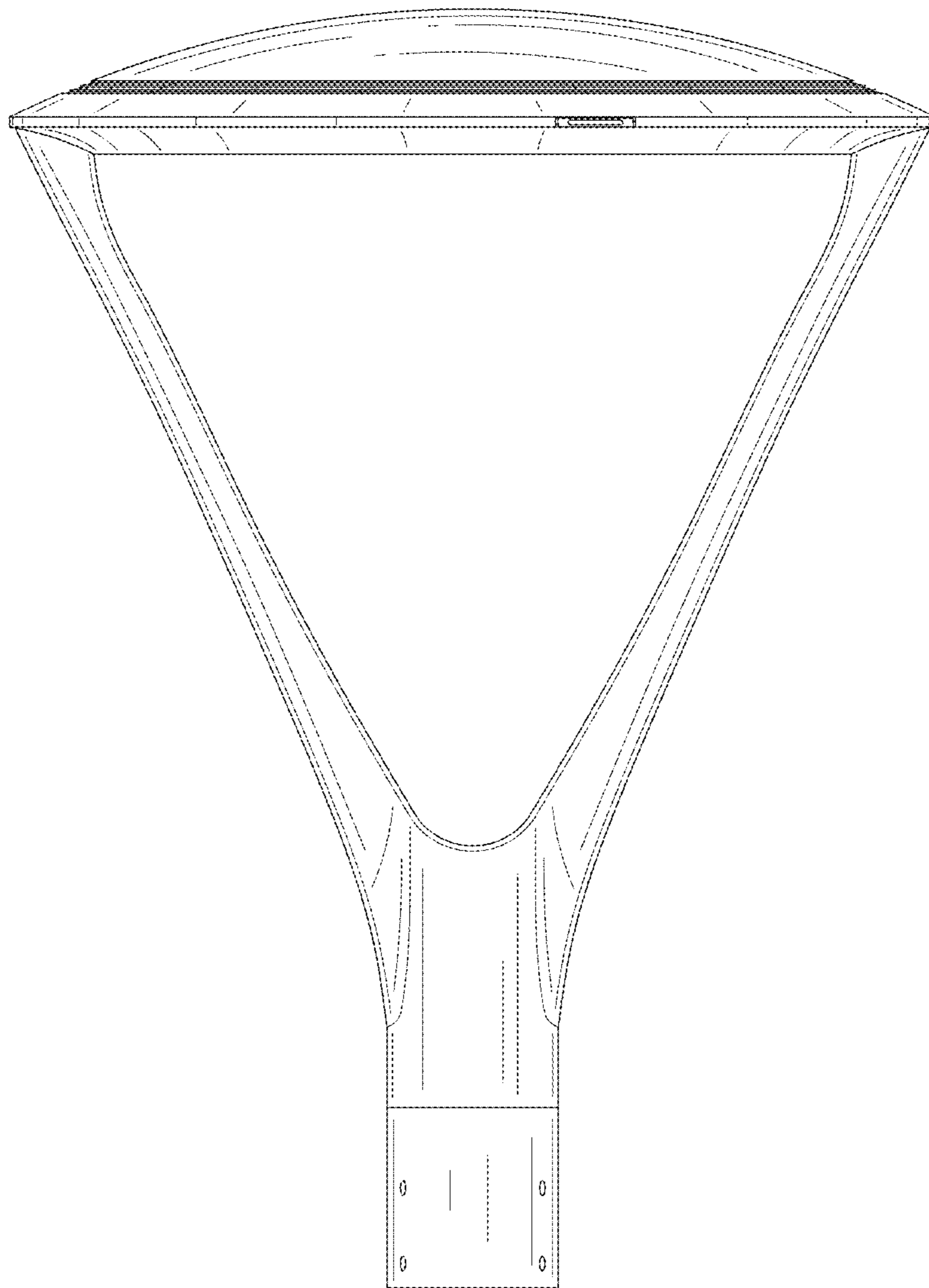


FIG. 8

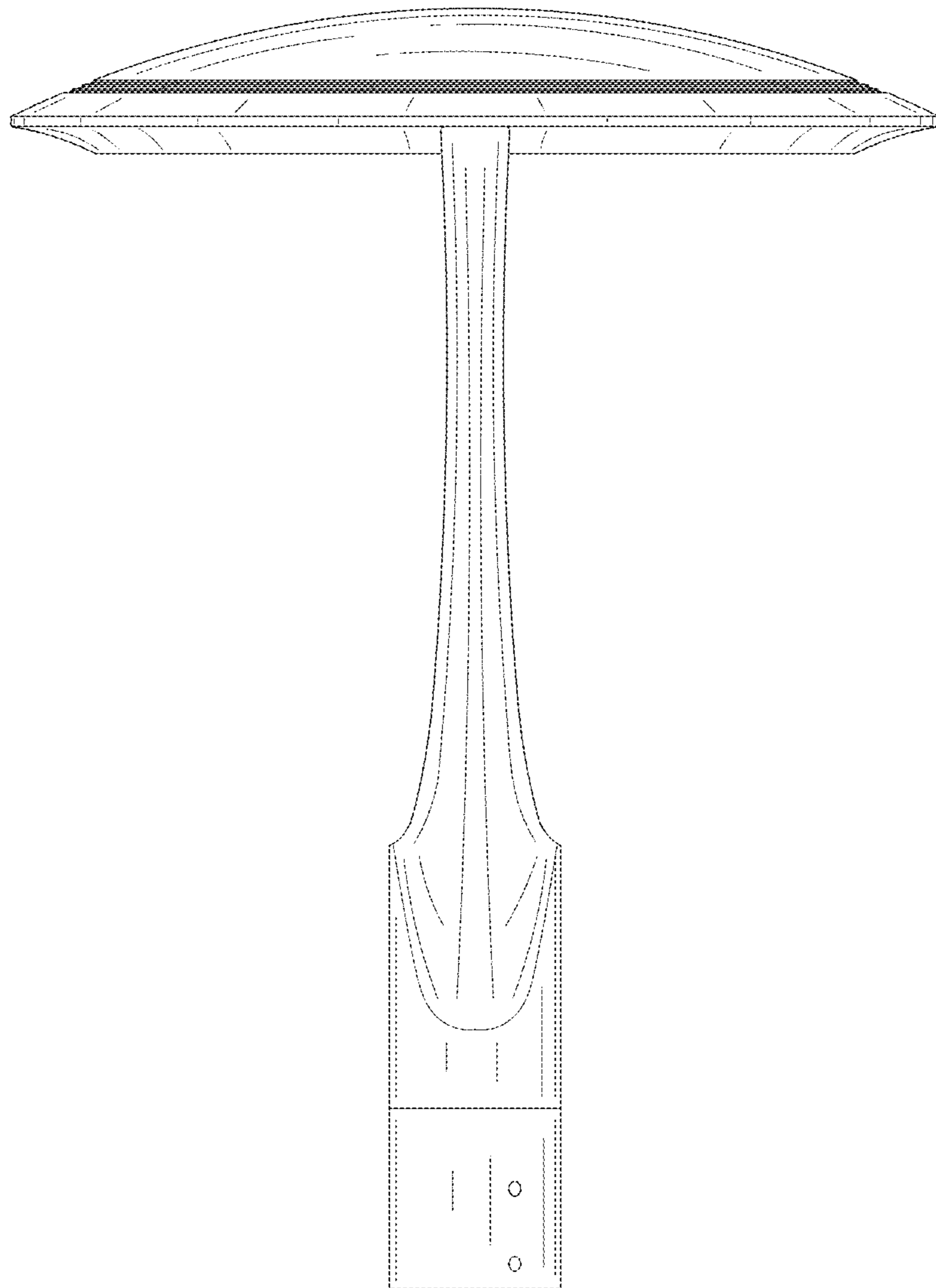


FIG. 9

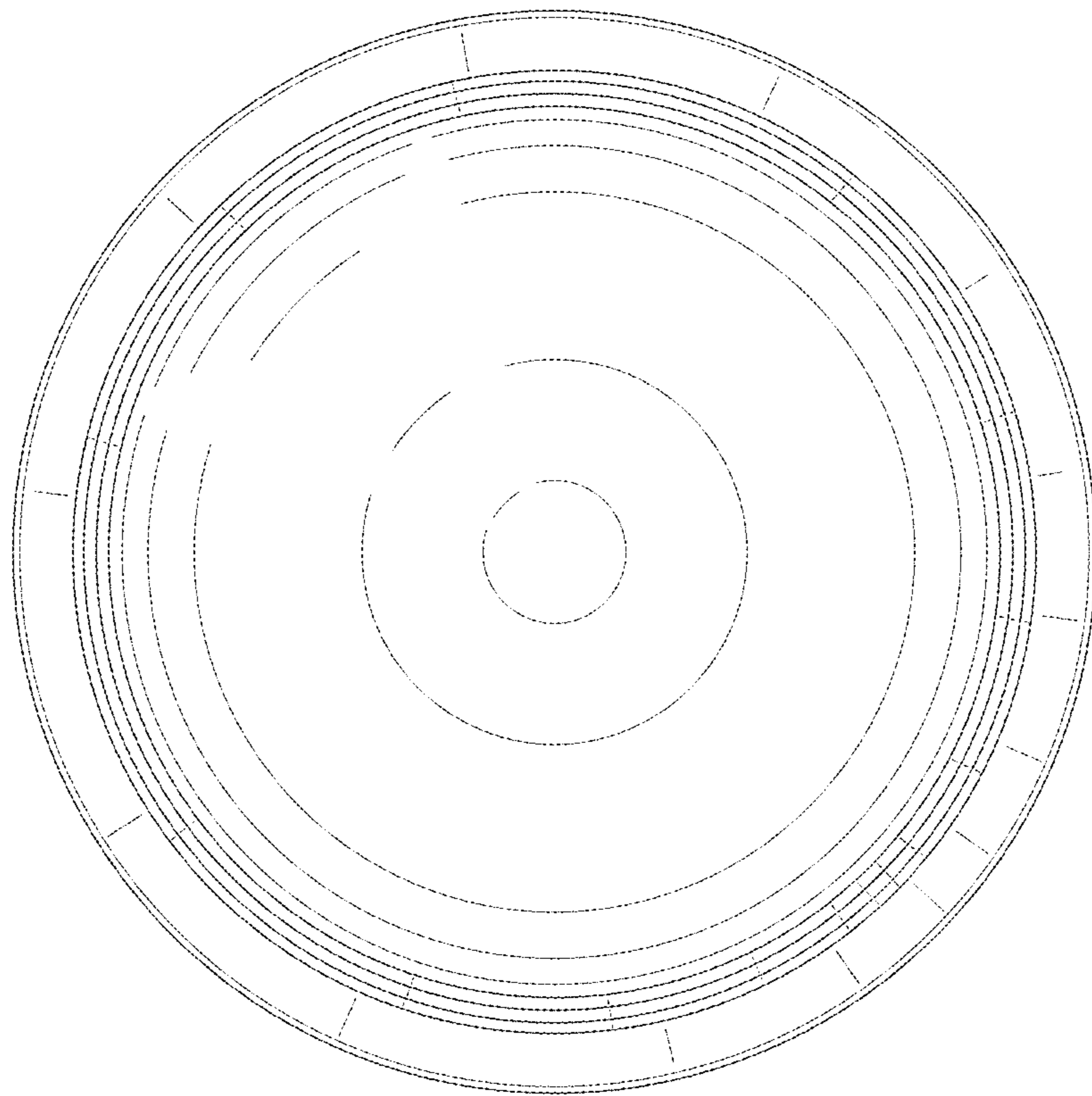


FIG. 10

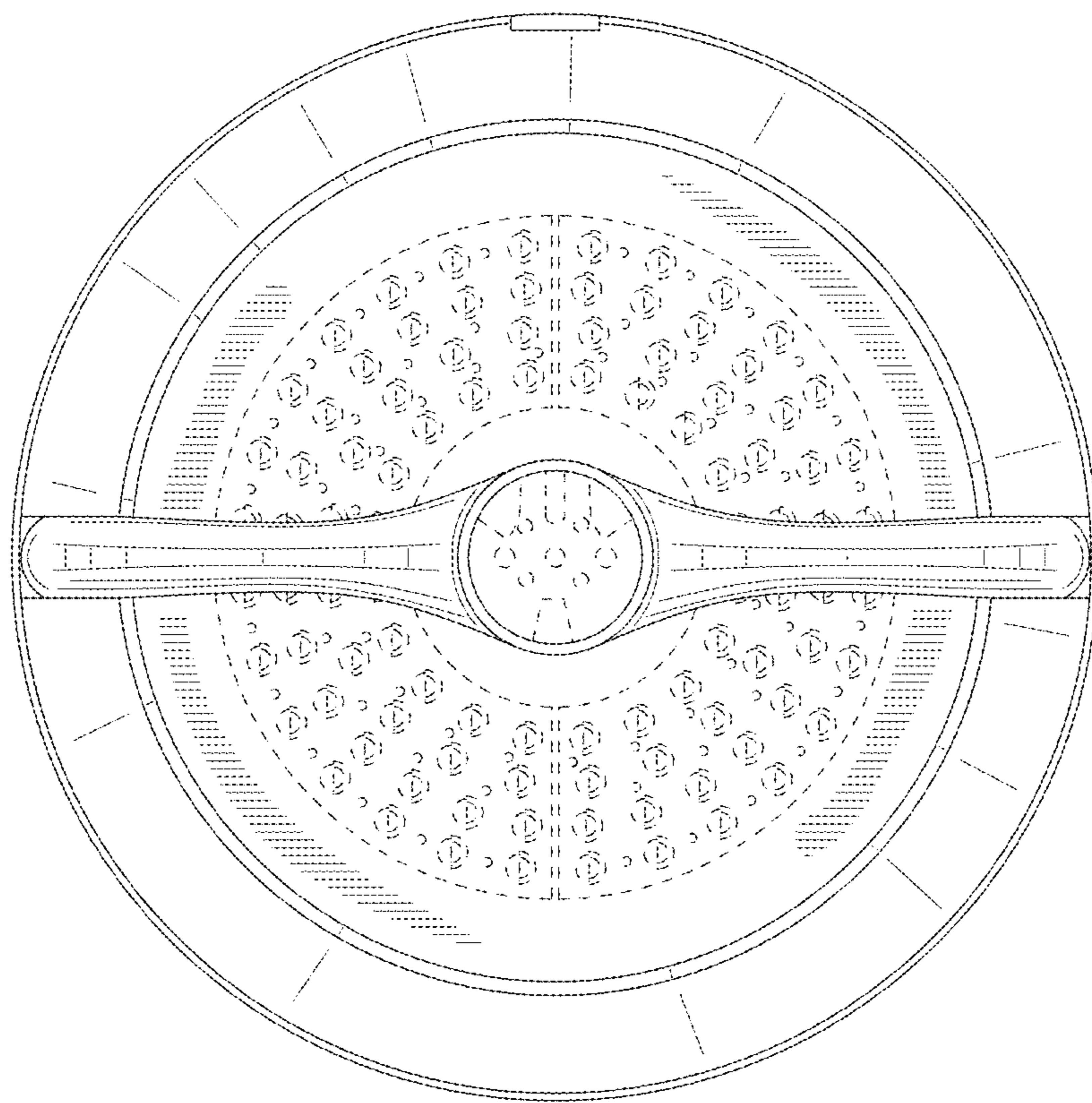


FIG. 11

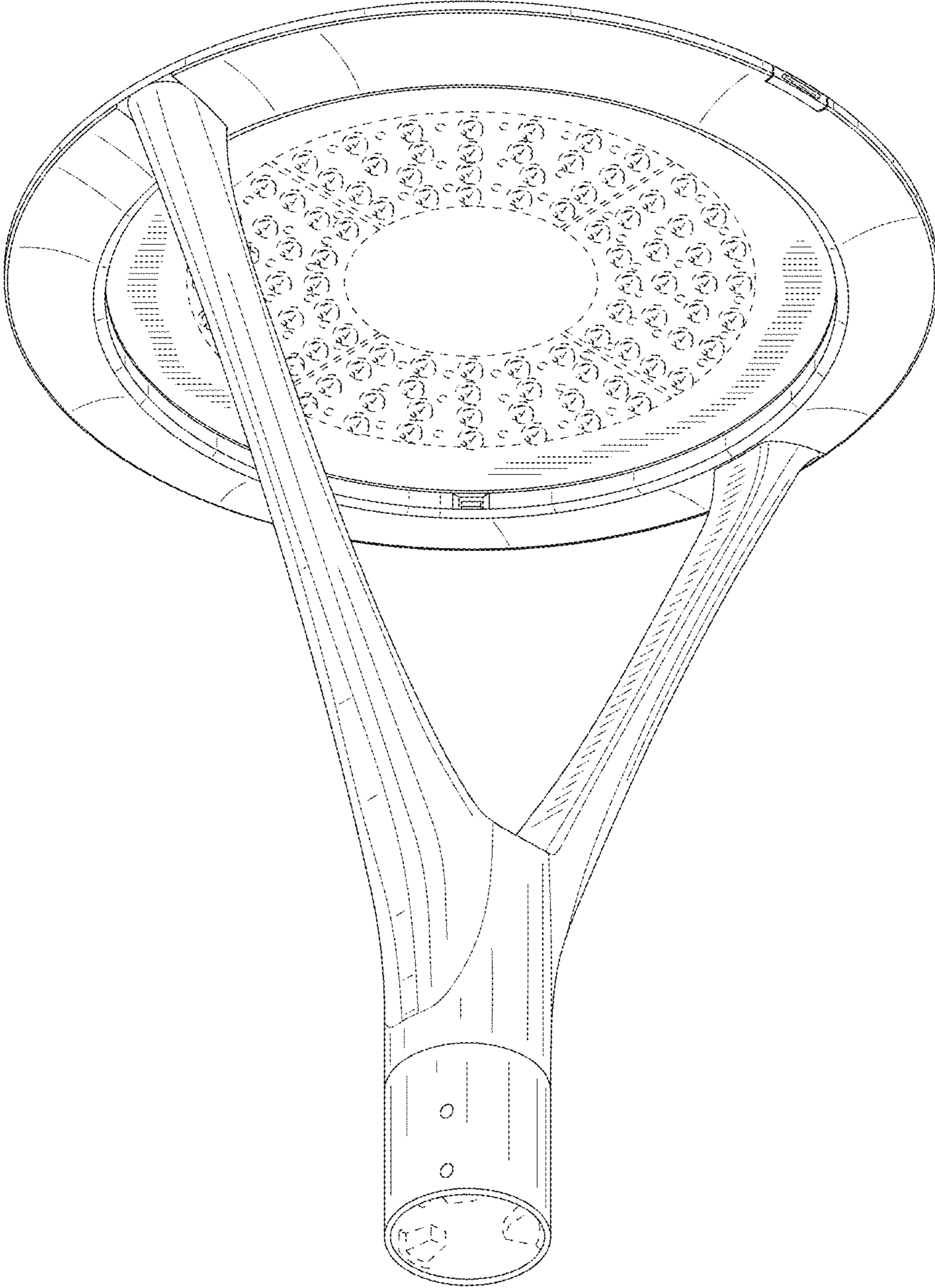


FIG. 12