



US00D853614S

(12) **United States Design Patent**
Lan

(10) **Patent No.:** **US D853,614 S**

(45) **Date of Patent:** **** Jul. 9, 2019**

(54) **LED LIGHT**

(71) Applicant: **Shenzhen Guanke Technologies Co., Ltd.**, Shenzhen (CN)

(72) Inventor: **Qing Lan**, Shenzhen (CN)

(73) Assignee: **Shenzhen Guanke Technologies Co., Ltd.**, Shenzhen (CN)

(**) Term: **15 Years**

(21) Appl. No.: **29/634,380**

(22) Filed: **Jan. 22, 2018**

(30) **Foreign Application Priority Data**

Jan. 10, 2018 (CN) 2018 3 0011156

(51) **LOC (11) Cl.** **26-03**

(52) **U.S. Cl.**
USPC **D26/63; D26/40**

(58) **Field of Classification Search**
USPC D26/1, 24, 37, 40-45, 48-50, 60, 61, 63,
D26/113, 119, 138

CPC F21L 4/00; F21L 4/02; F21L 14/02; F21L
1/00; F21L 14/23; F21V 29/00; F21V
23/04; F21V 21/00; F21V 21/08; F21V
21/40; F21V 21/26; F21S 13/00

See application file for complete search history.

(56) **References Cited**

U.S. PATENT DOCUMENTS

2,209,931 A * 7/1940 Rudolf F21L 14/00
362/267
D390,984 S * 2/1998 Long D26/41

D541,453 S * 4/2007 Lau D26/40
D555,266 S * 11/2007 Claassen D26/40
D617,481 S * 6/2010 Leung D26/41
D653,795 S * 2/2012 Guercio D26/119
D739,586 S * 9/2015 Hong D26/51
D767,195 S * 9/2016 Pollack, Jr. D26/119
2005/0286254 A1* 12/2005 Richardson F21S 13/12
362/388
2019/0072266 A1* 3/2019 Pollack F21V 29/85

* cited by examiner

Primary Examiner — Angela J Lee

Assistant Examiner — Shawn T Gingrich

(57) **CLAIM**

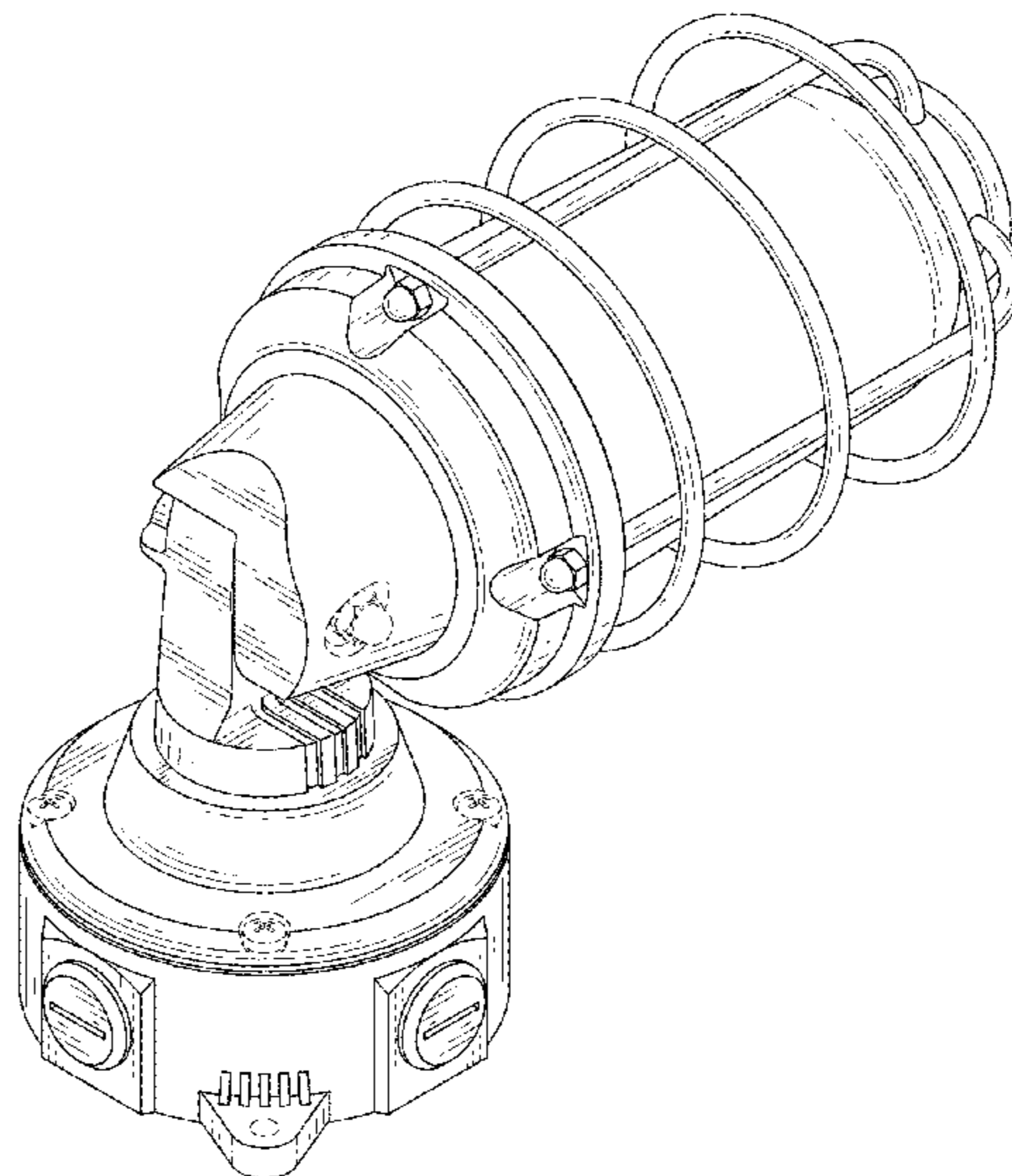
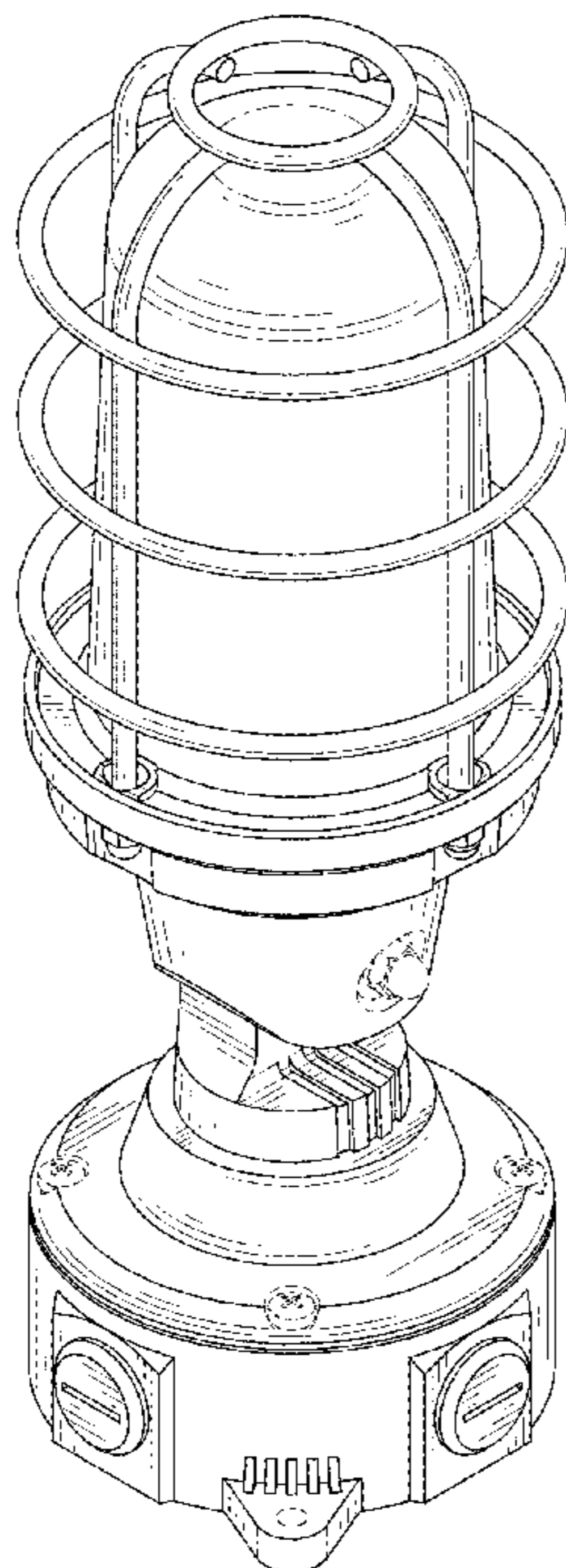
The ornamental design for an LED light, as shown and described.

DESCRIPTION

FIG. 1 is a top perspective view of an LED light showing my new design in a first state;
FIG. 2 is a bottom perspective view thereof;
FIG. 3 is a front elevational view thereof;
FIG. 4 is a rear elevational view thereof;
FIG. 5 is a left side elevational view thereof;
FIG. 6 is a right side elevational view thereof;
FIG. 7 is a top plan view thereof;
FIG. 8 is a bottom plan view thereof; and,
FIG. 9 is a perspective view of the LED light in a second state.

The broken lines are for the purpose of illustrating portions of the LED light and form no part of the claimed design.

1 Claim, 9 Drawing Sheets



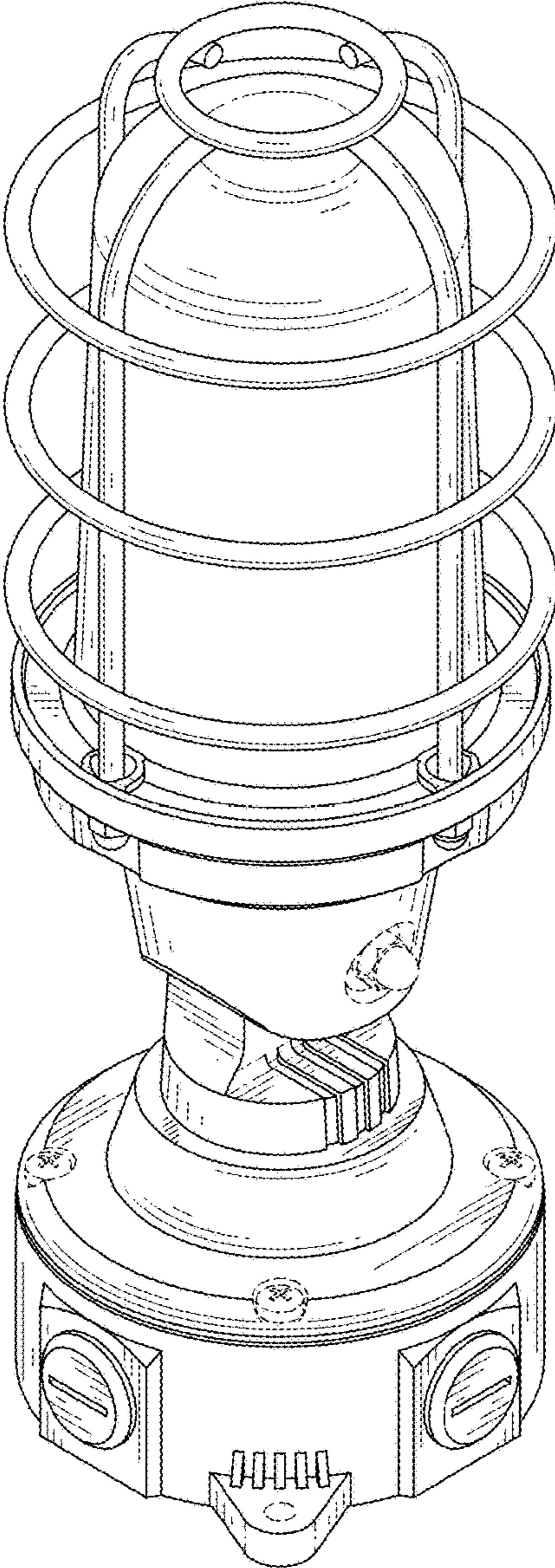


FIG. 1

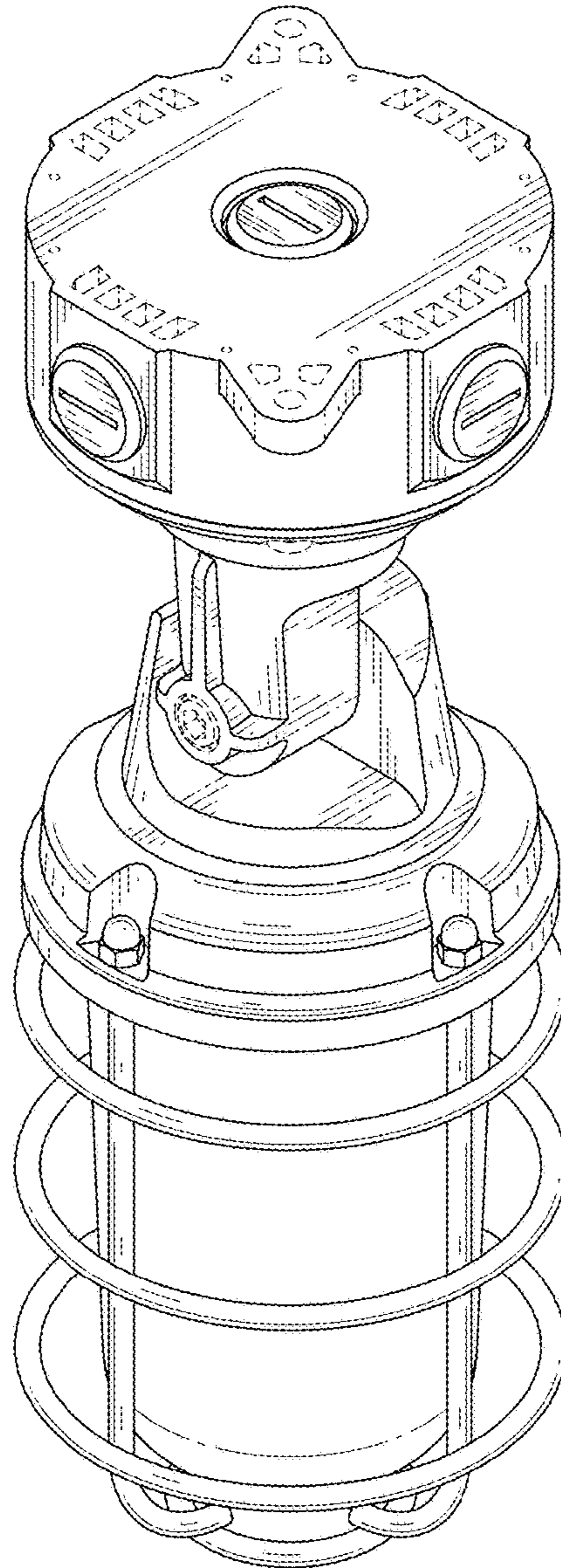


FIG. 2

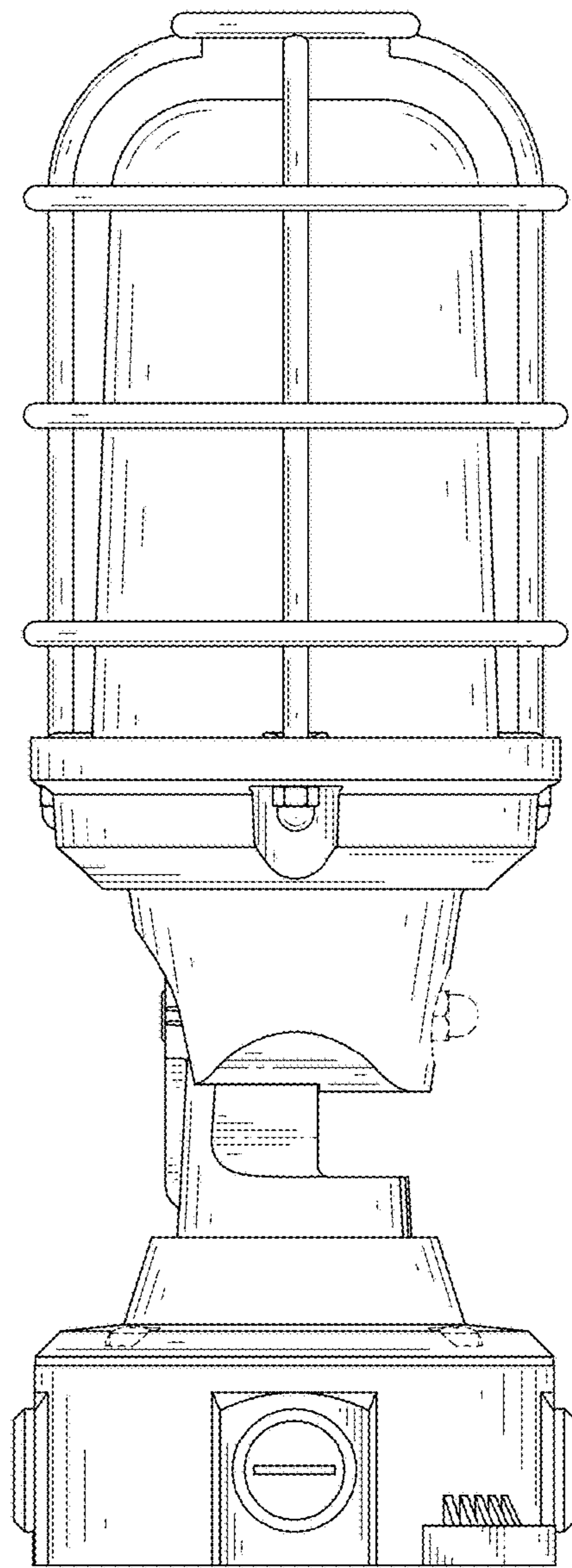


FIG. 3

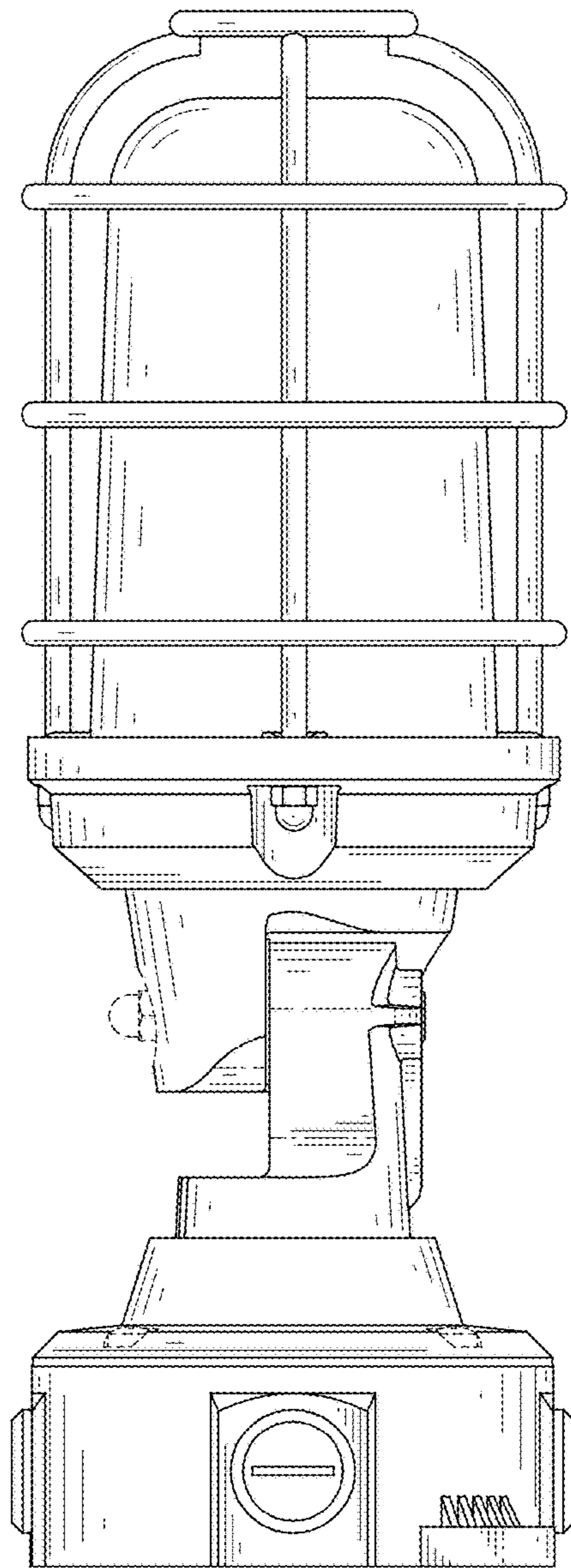


FIG. 4

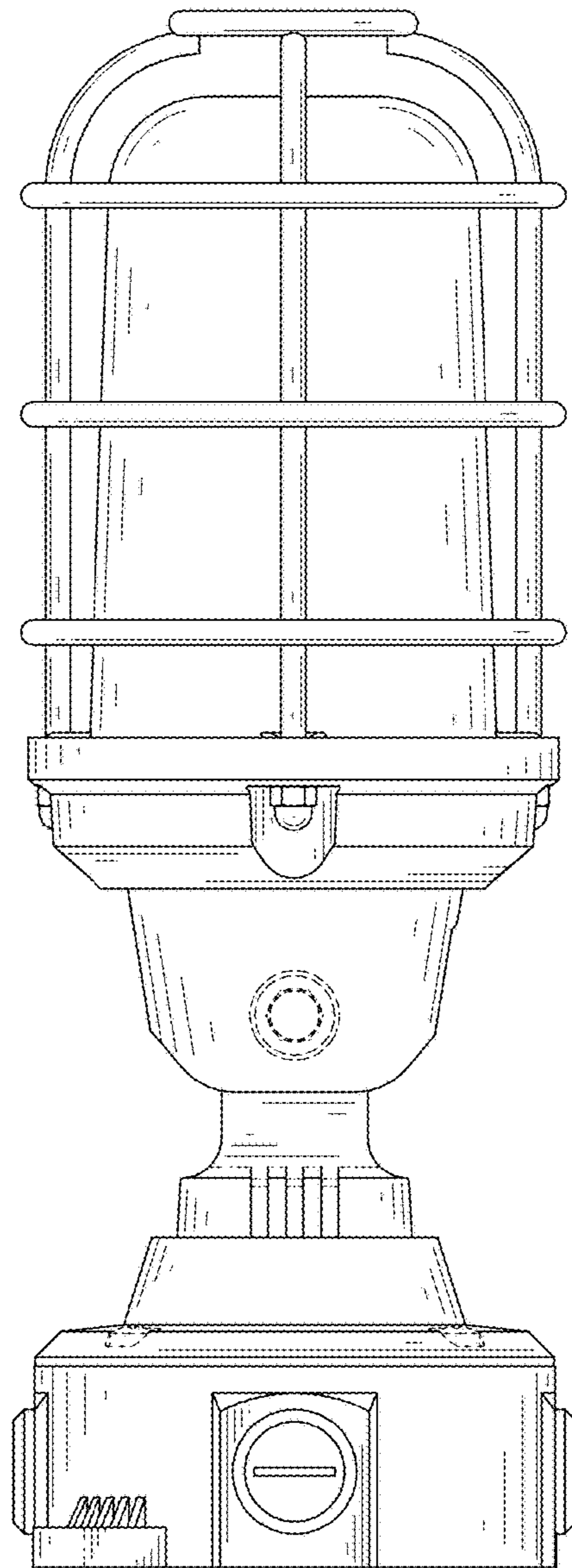


FIG. 5

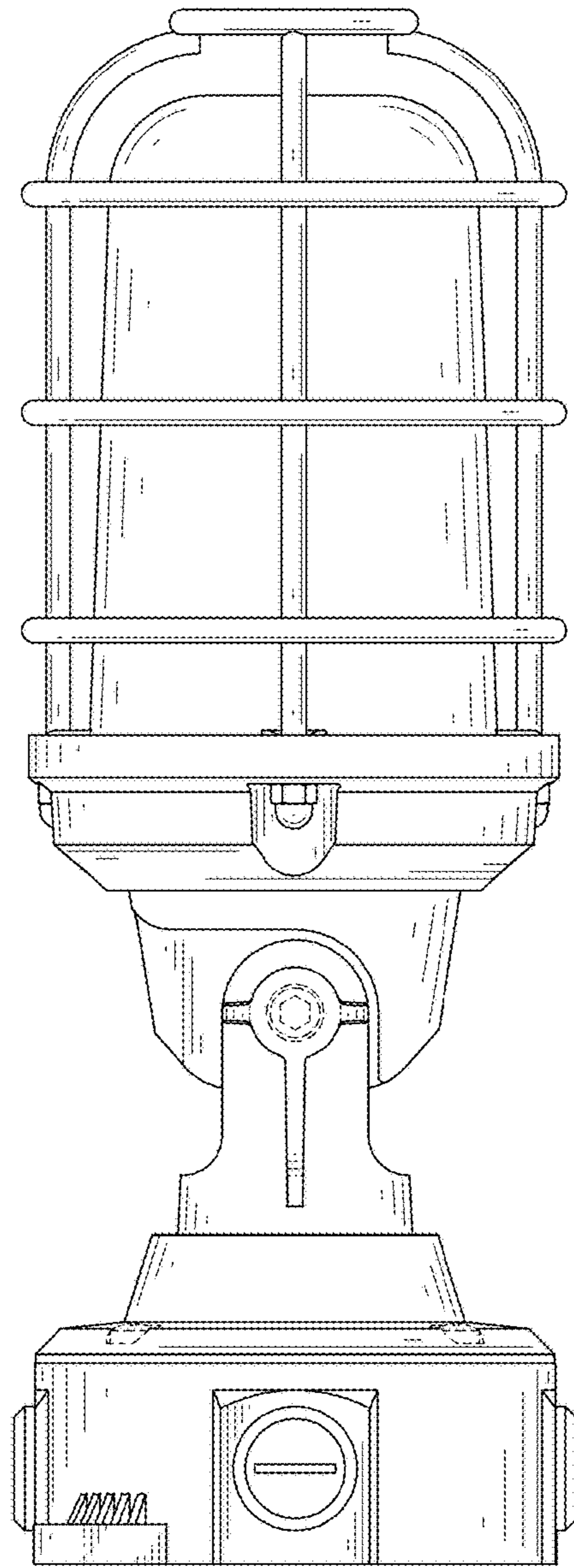


FIG. 6

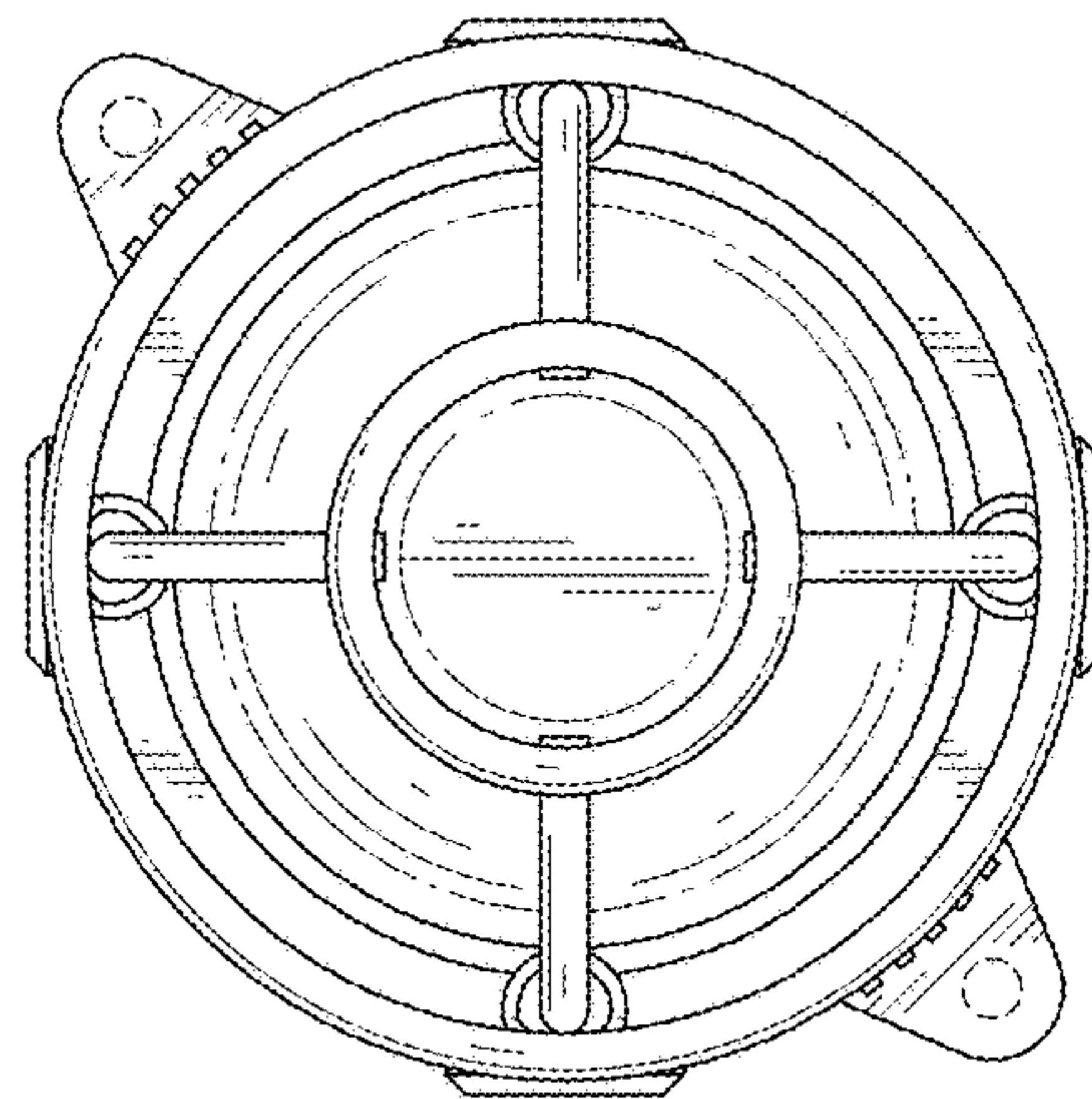


FIG. 7

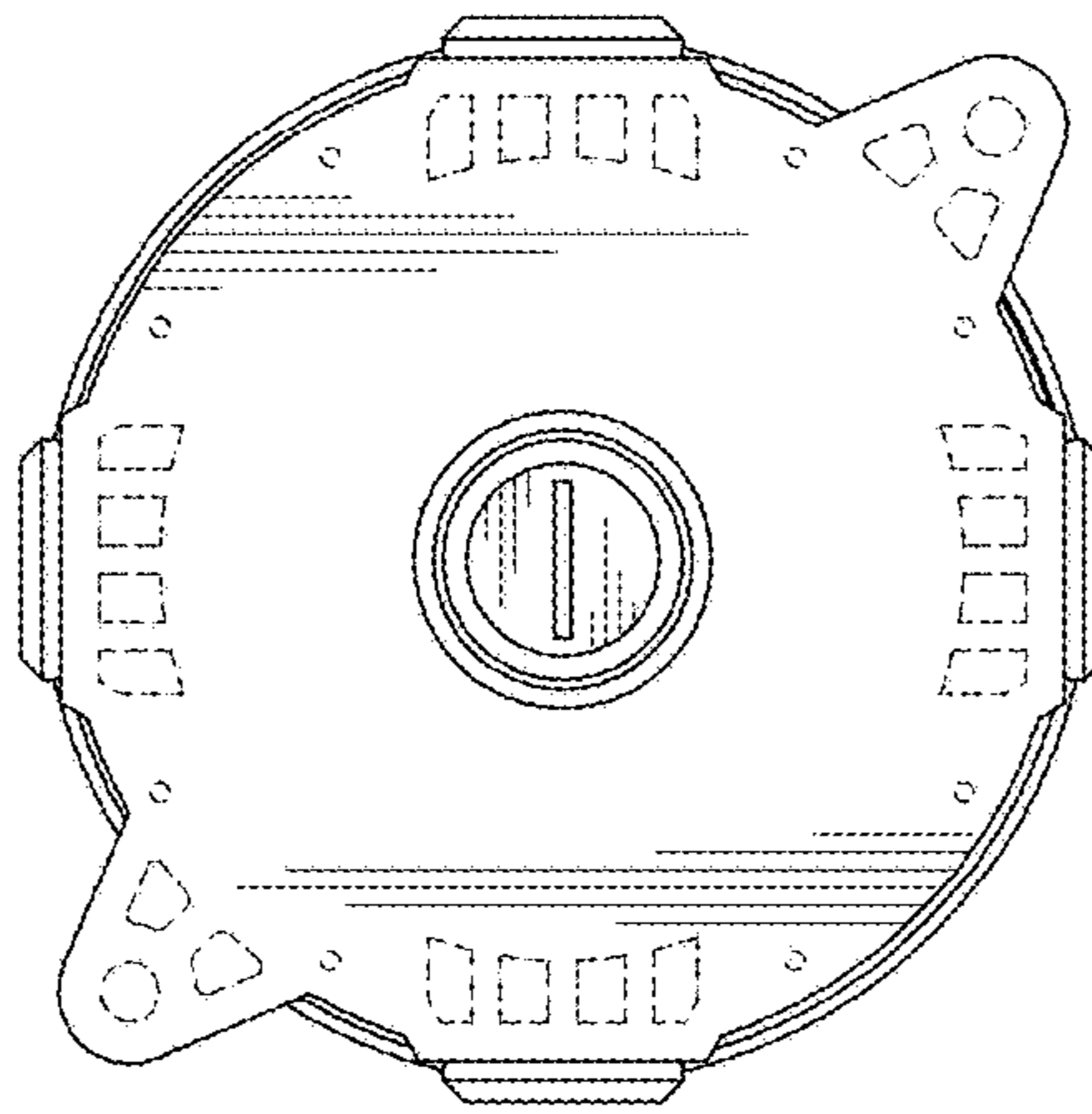


FIG. 8

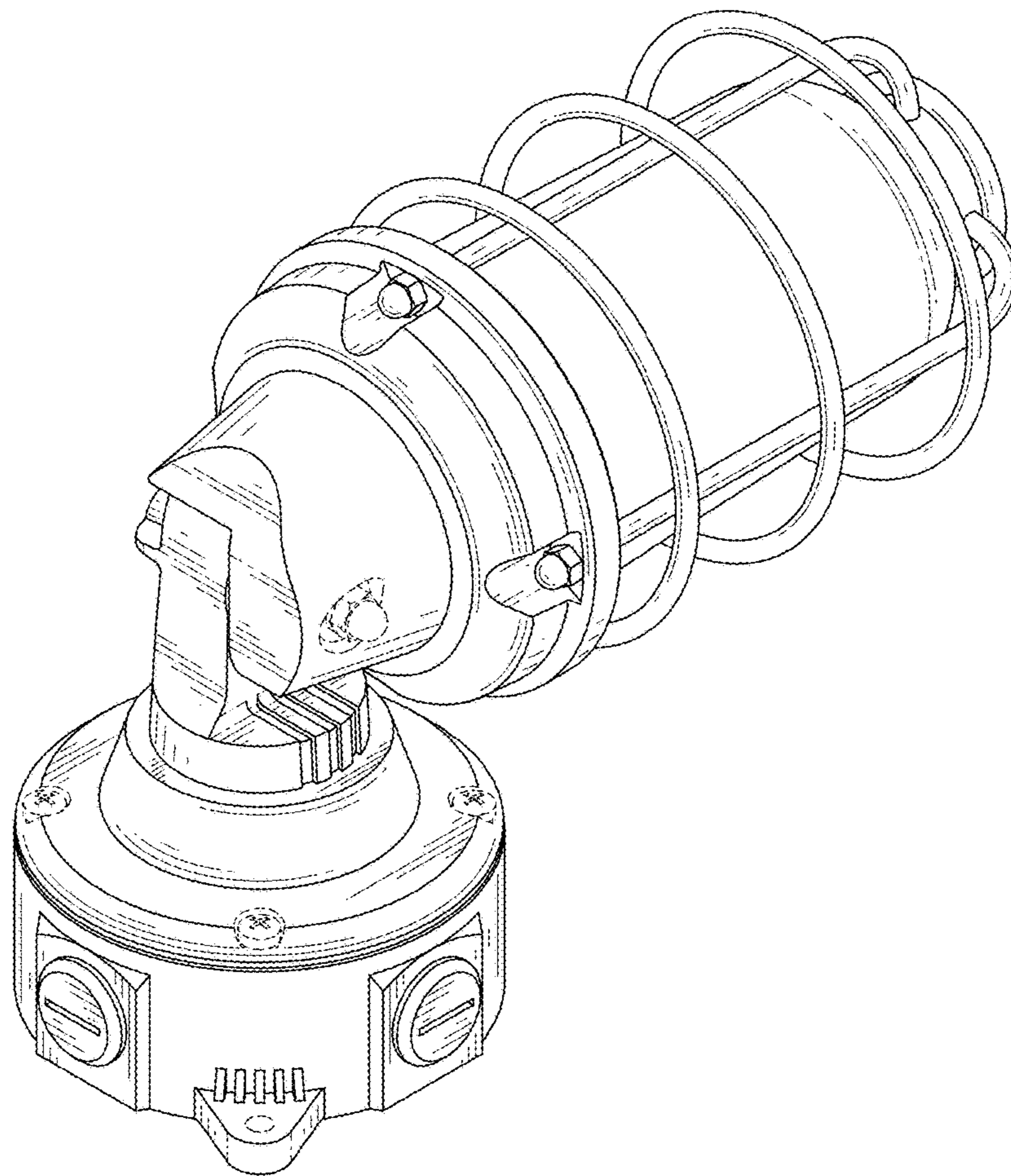


FIG. 9