



US00D853613S

(12) **United States Design Patent** (10) **Patent No.:** **US D853,613 S**  
**Lien** (45) **Date of Patent:** **\*\* Jul. 9, 2019**

(54) **TRIPOD LIGHT**

(71) Applicant: **Black & Decker Inc.**, New Britain, CT (US)

(72) Inventor: **Liu Chao Lien**, Taichung (TW)

(73) Assignee: **BLACK & DECKER INC.**, New Britain, CT (US)

(\*\*) Term: **15 Years**

(21) Appl. No.: **29/629,803**

(22) Filed: **Dec. 15, 2017**

(51) **LOC (11) Cl.** ..... **26-03**

(52) **U.S. Cl.**  
USPC ..... **D26/63; D26/111**

(58) **Field of Classification Search**  
USPC ..... D26/1, 24, 49, 61, 63, 64, 65, 85, 92, D26/138, 111

CPC ..... F21V 21/14; F21V 15/01; F21V 14/02; F21V 21/30; F21V 21/00; F21V 14/00; F21V 1/06; F21V 1/12; F21S 8/00; F21S 8/003; F21S 8/043; F21Y 2105/001

See application file for complete search history.

(56) **References Cited**

**U.S. PATENT DOCUMENTS**

D623,786 S *	9/2010	Wessel	.....	D26/49
D759,871 S *	6/2016	Consuegra	.....	D26/63
D770,657 S *	11/2016	Fang	.....	D26/63
D805,671 S *	12/2017	Liping	.....	D26/63
D815,328 S *	4/2018	Ladnier	.....	D26/63
D816,263 S *	4/2018	Chang	.....	D26/138

\* cited by examiner

*Primary Examiner* — Brian N. Vinson

(74) *Attorney, Agent, or Firm* — Adan Ayala

(57) **CLAIM**

The ornamental design for a tripod light, as shown and described.

**DESCRIPTION**

FIG. 1 is a front perspective view of a tripod light according to the invention.

FIG. 2 is a front view of the tripod light of FIG. 1.

FIG. 3 is a rear view of the tripod light of FIG. 1.

FIG. 4 is a left side view of the tripod light of FIG. 1.

FIG. 5 is a right side view of the tripod light of FIG. 1.

FIG. 6 is a top plan view of the tripod light of FIG. 1.

FIG. 7 is a bottom plan view of the tripod light of FIG. 1.

FIG. 8 is a rear perspective view of the tripod light of FIG. 1.

FIG. 9 is a front perspective view of one of the three pivoting components at the top of the tripod, with the remainder of the tripod being omitted from the disclosure of FIGS. 9-15 for clarity of illustration.

FIG. 10 is a front view of the light assembly component of FIG. 9.

FIG. 11 is a rear view of the light assembly component of FIG. 9.

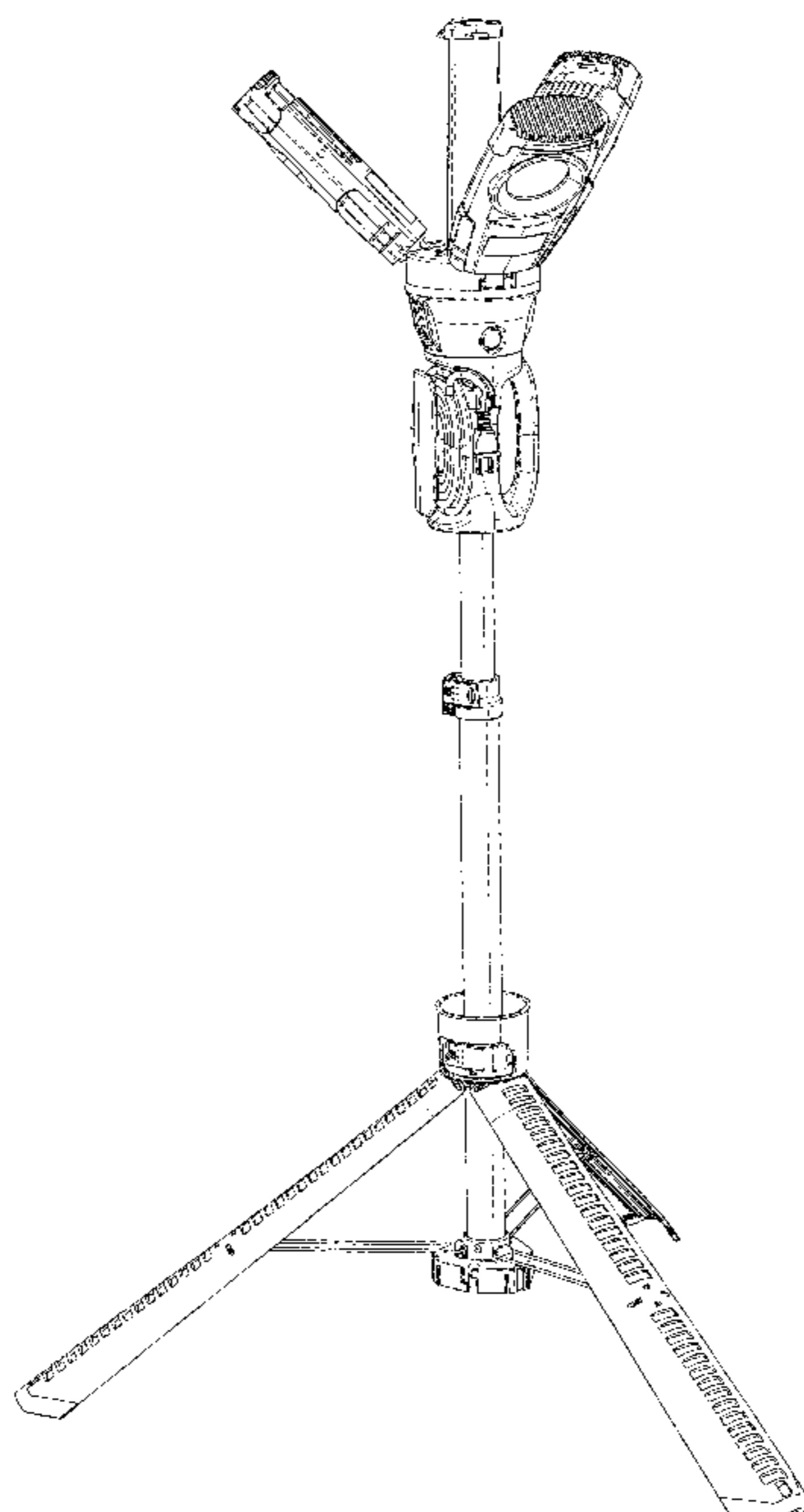
FIG. 12 is a left side view of the light assembly component of FIG. 9.

FIG. 13 is a right side view of the light assembly component of FIG. 9.

FIG. 14 is a top plan view of the light assembly component of FIG. 9; and,

FIG. 15 is a bottom plan view of the light assembly component of FIG. 9.

**1 Claim, 15 Drawing Sheets**



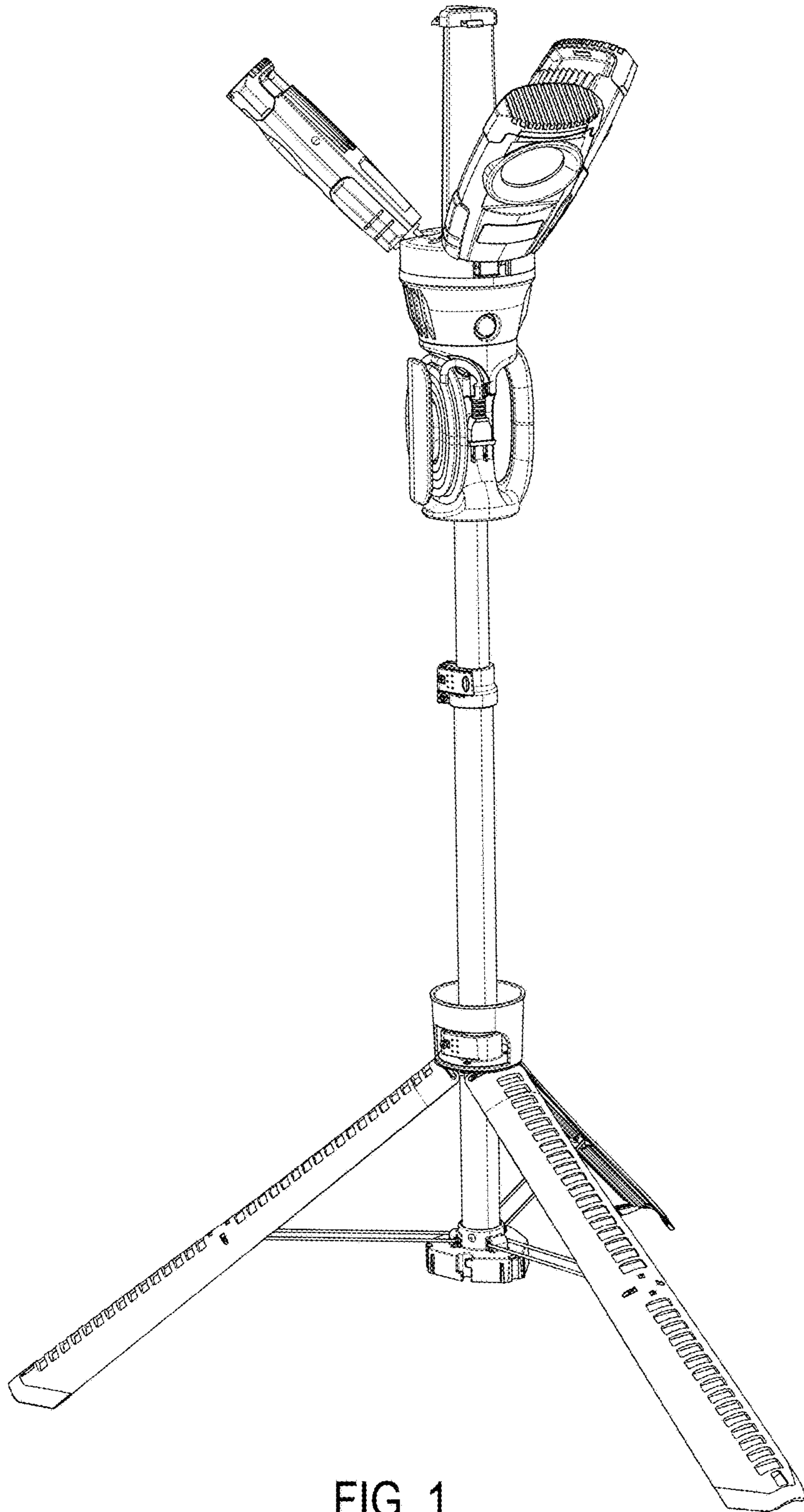


FIG. 1

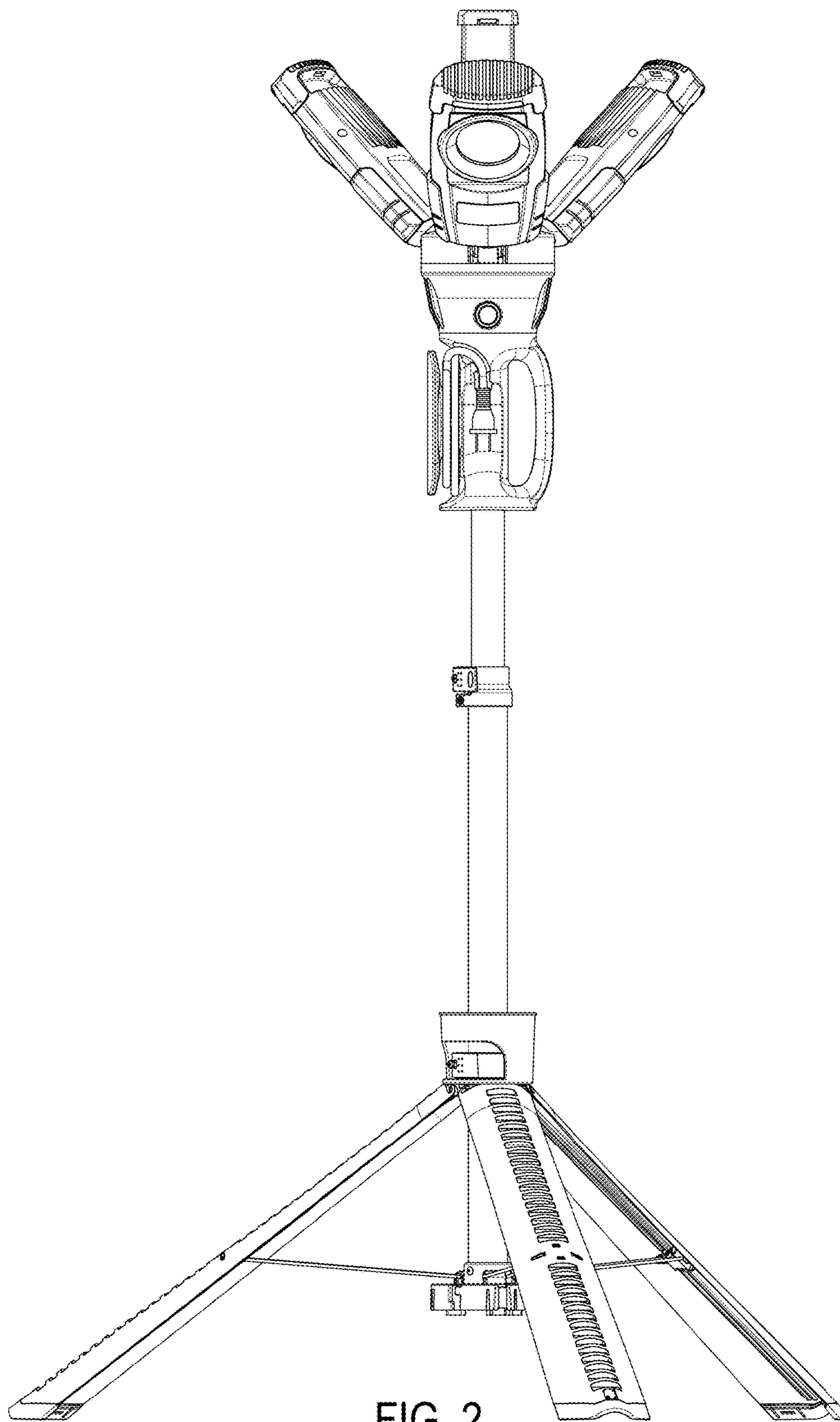


FIG. 2

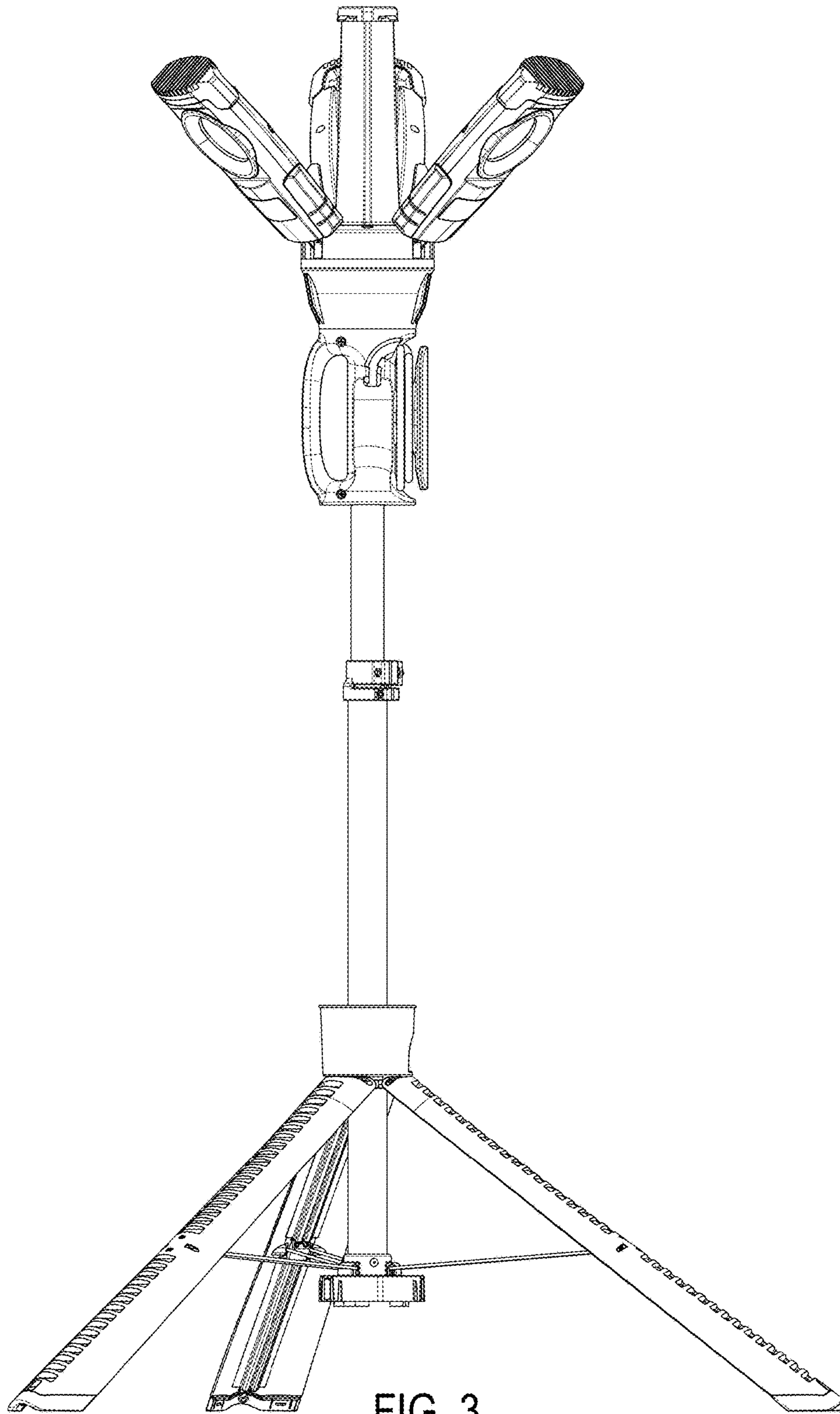


FIG. 3

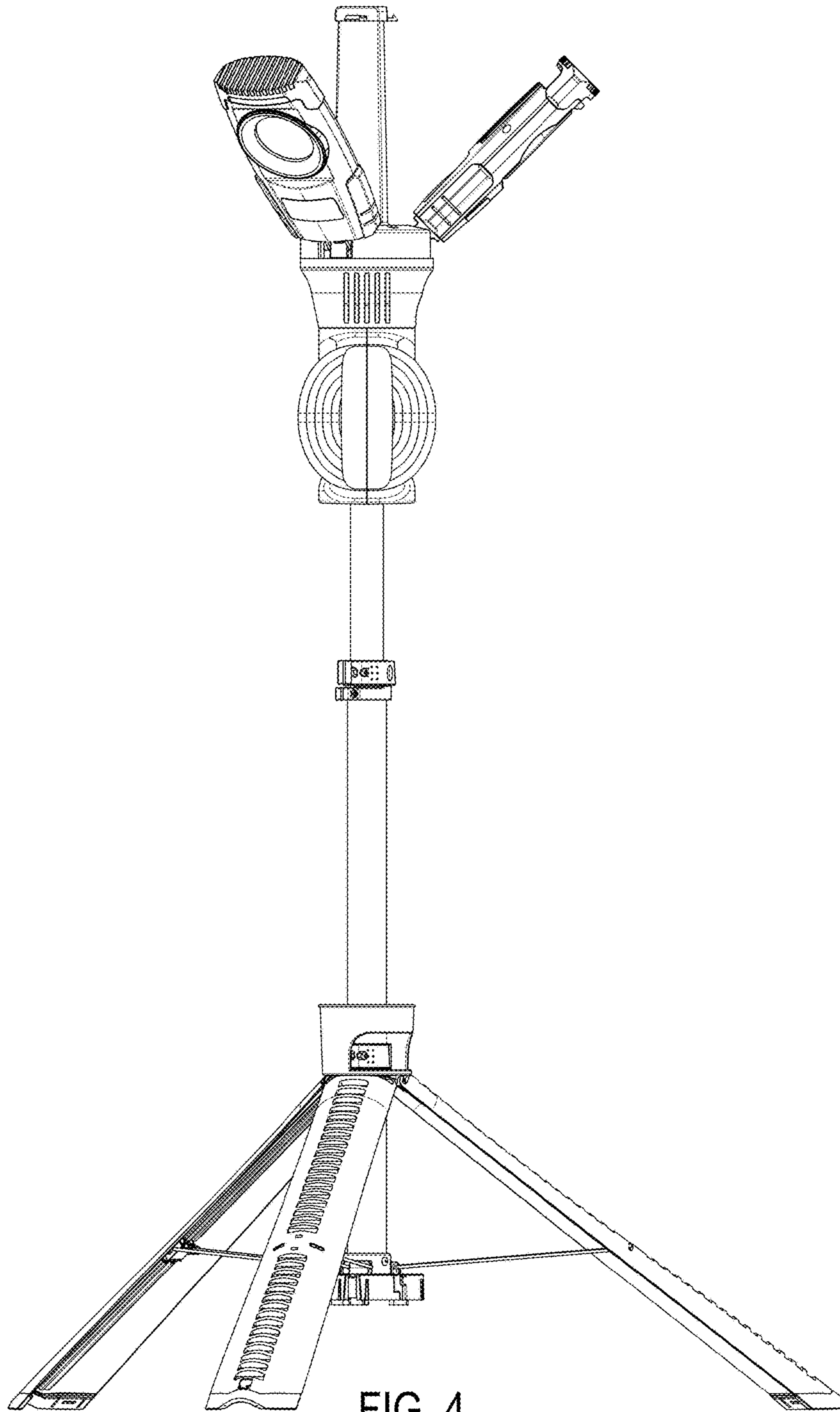


FIG. 4

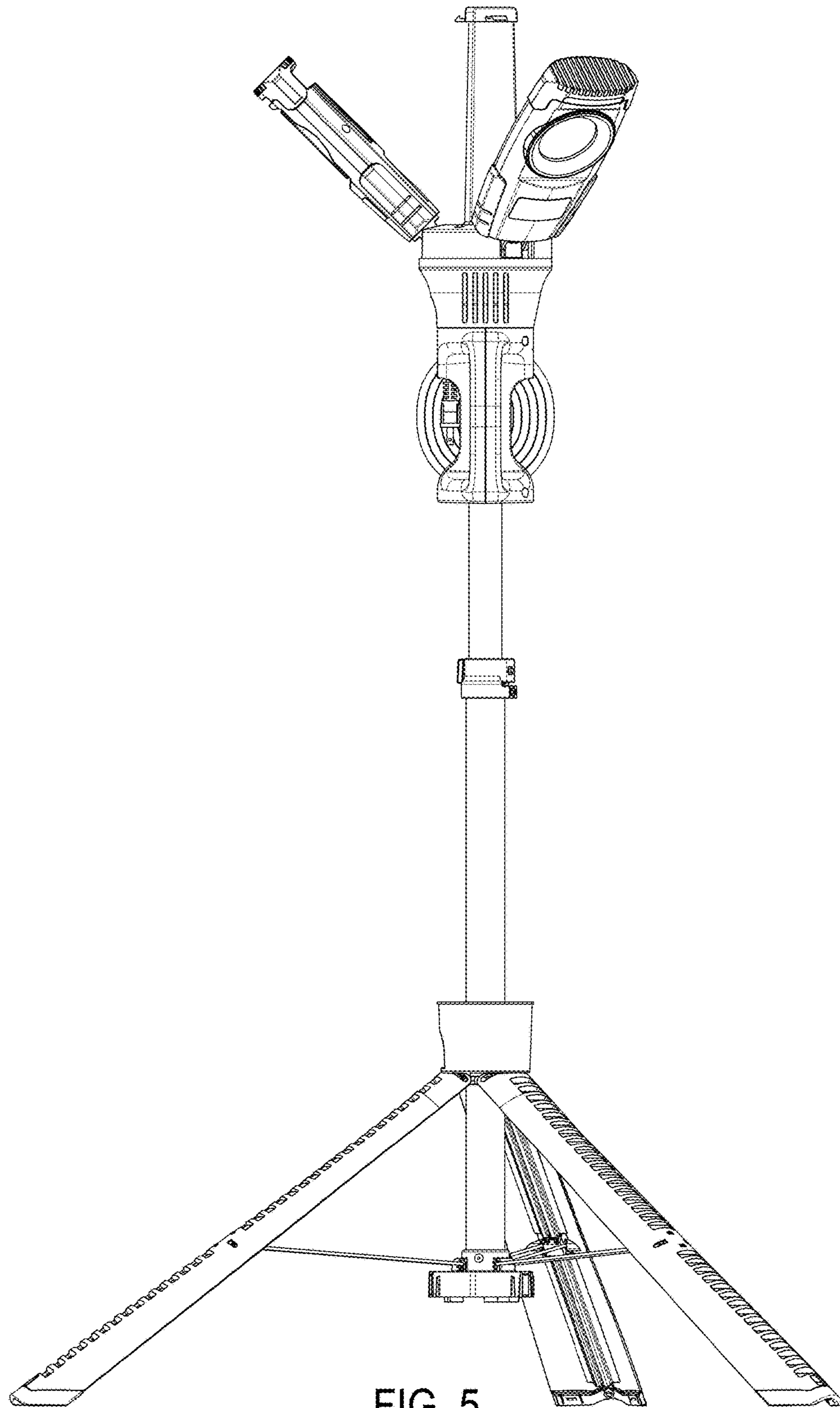


FIG. 5

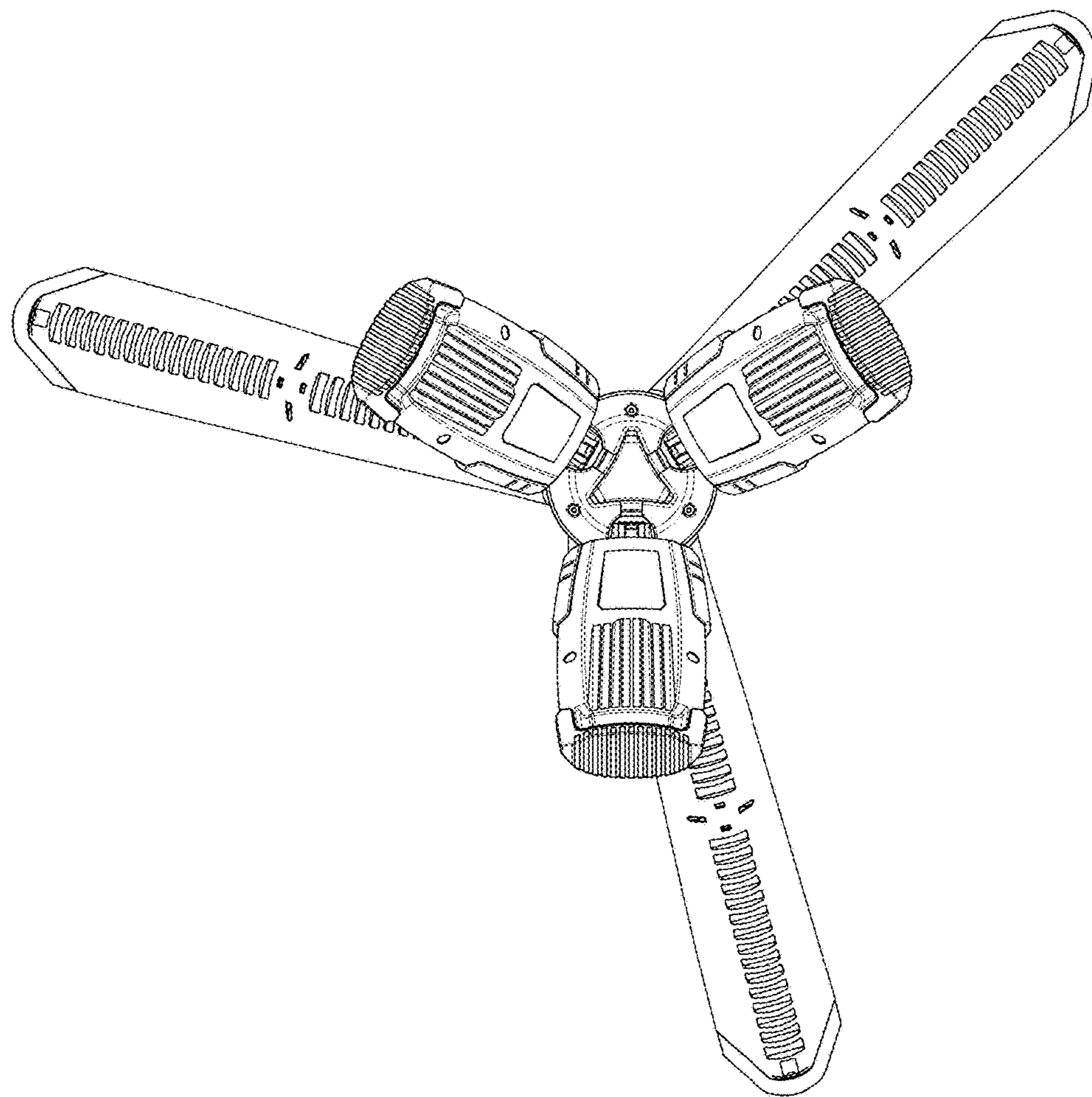


FIG. 6

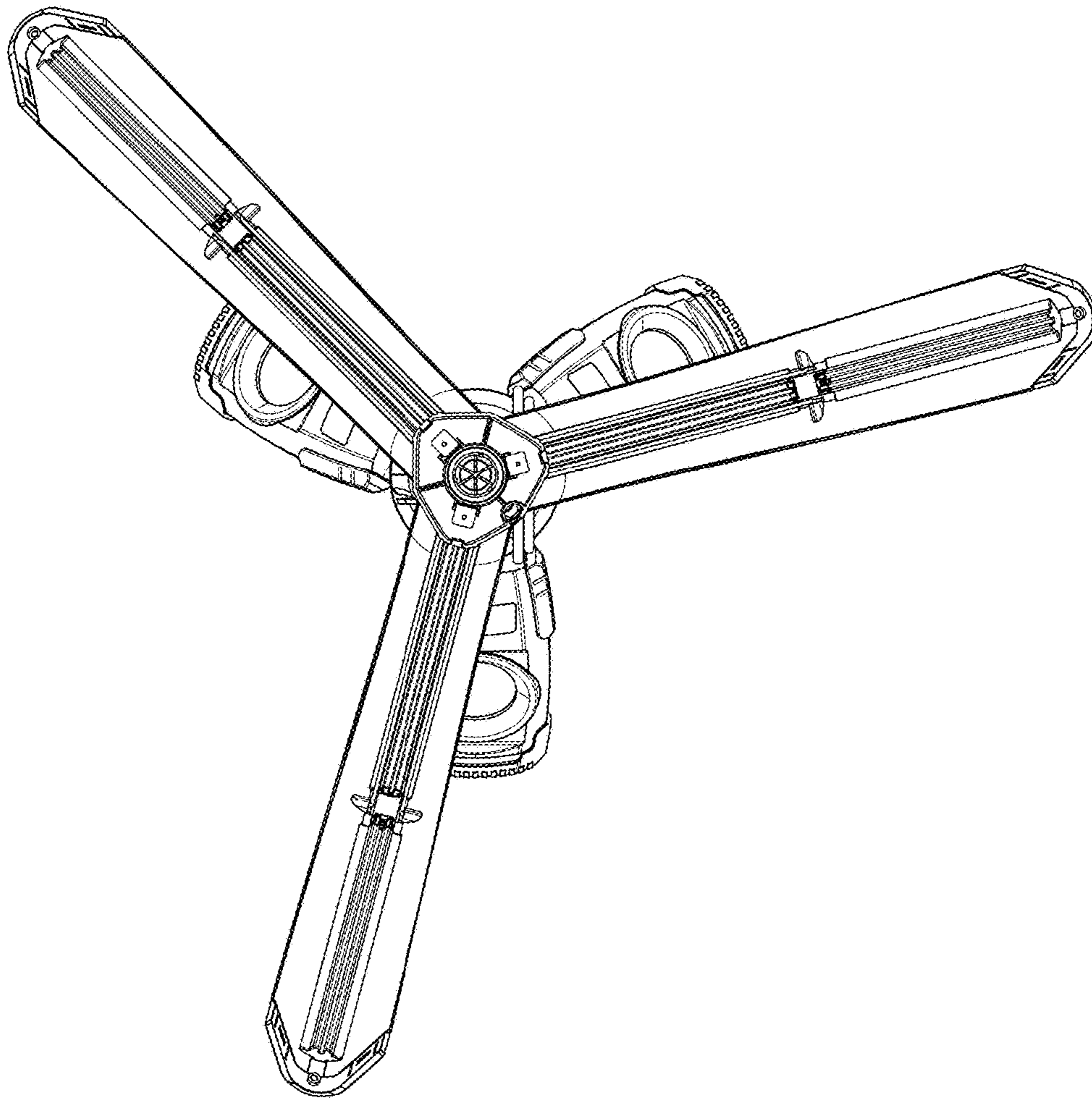


FIG. 7



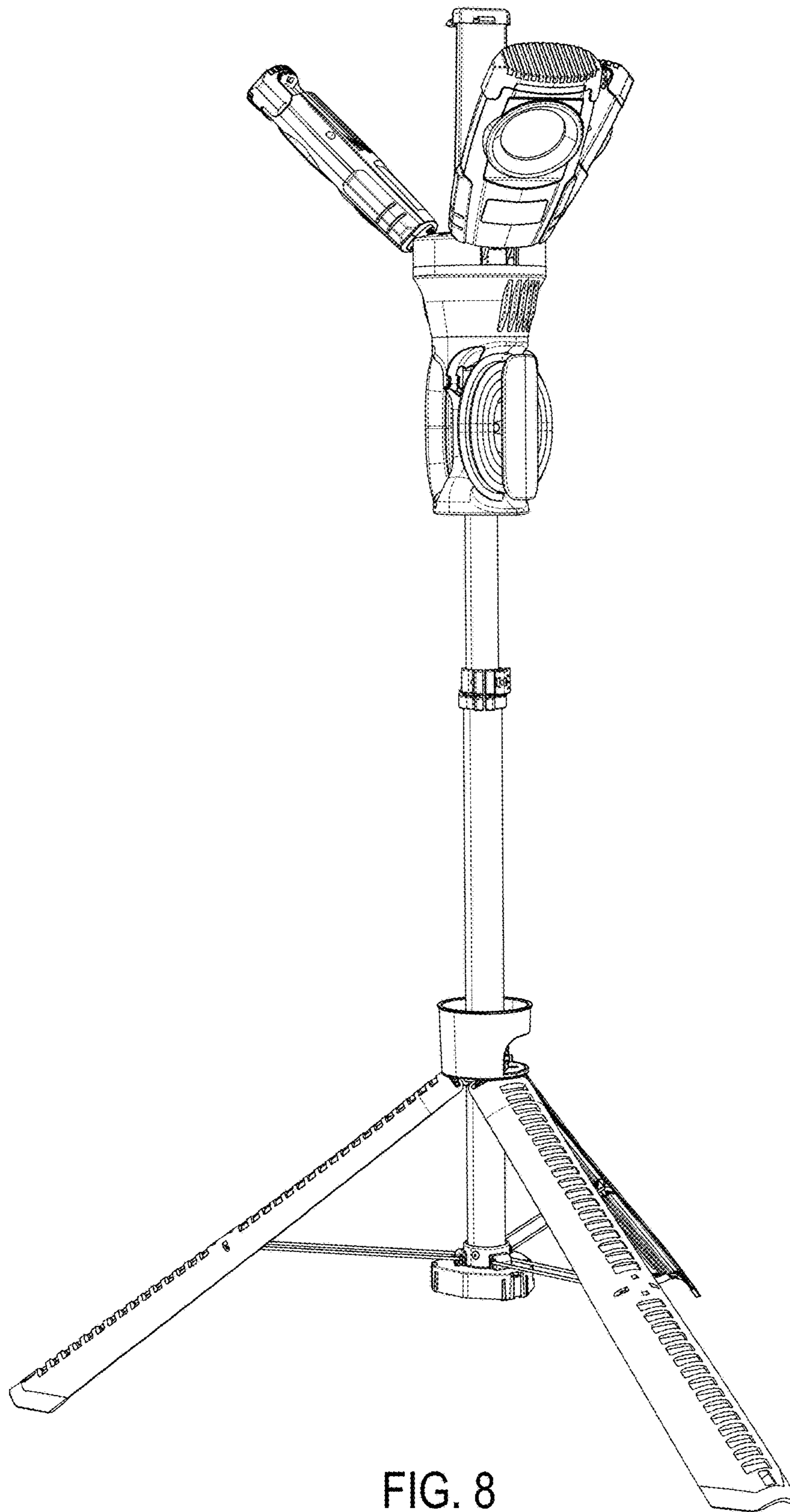


FIG. 8

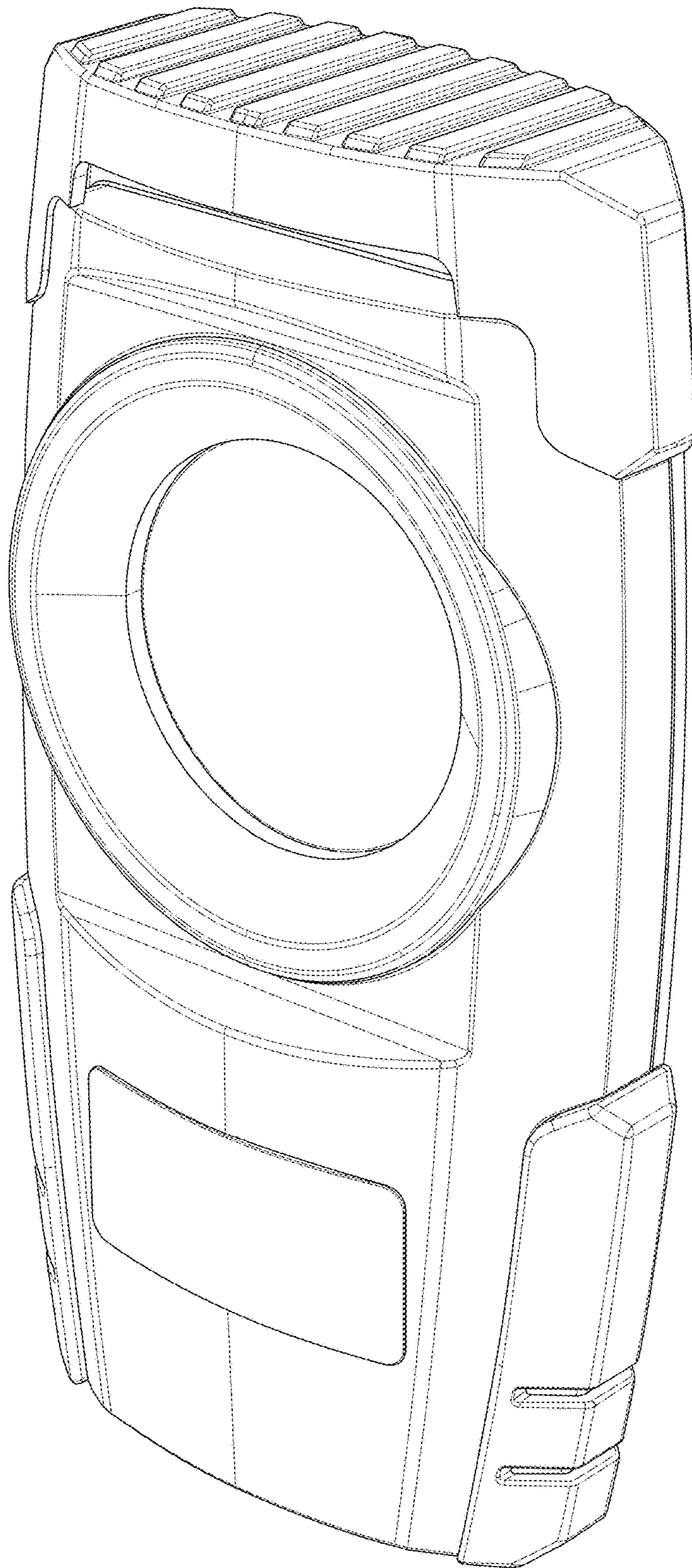


FIG. 9

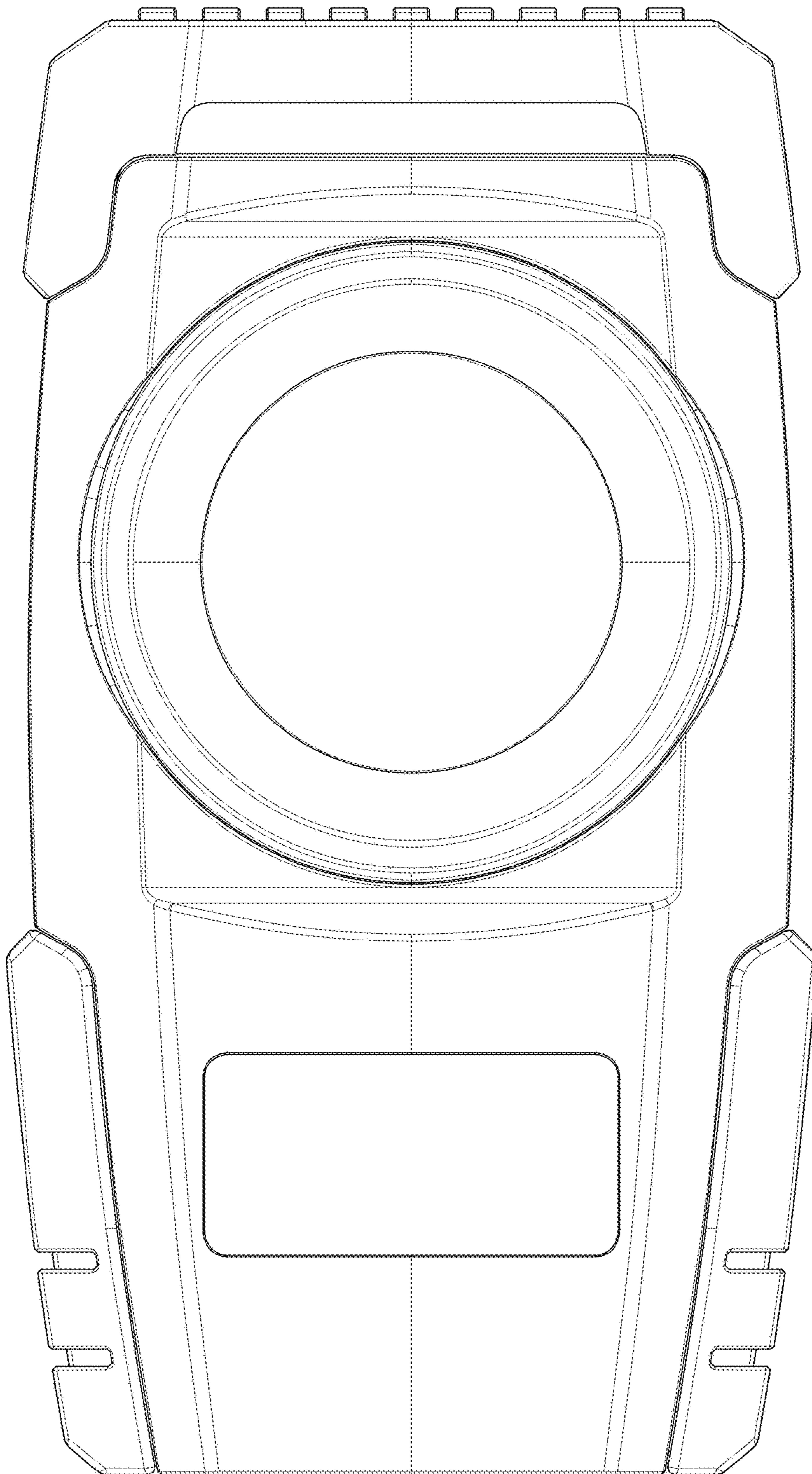


FIG. 10

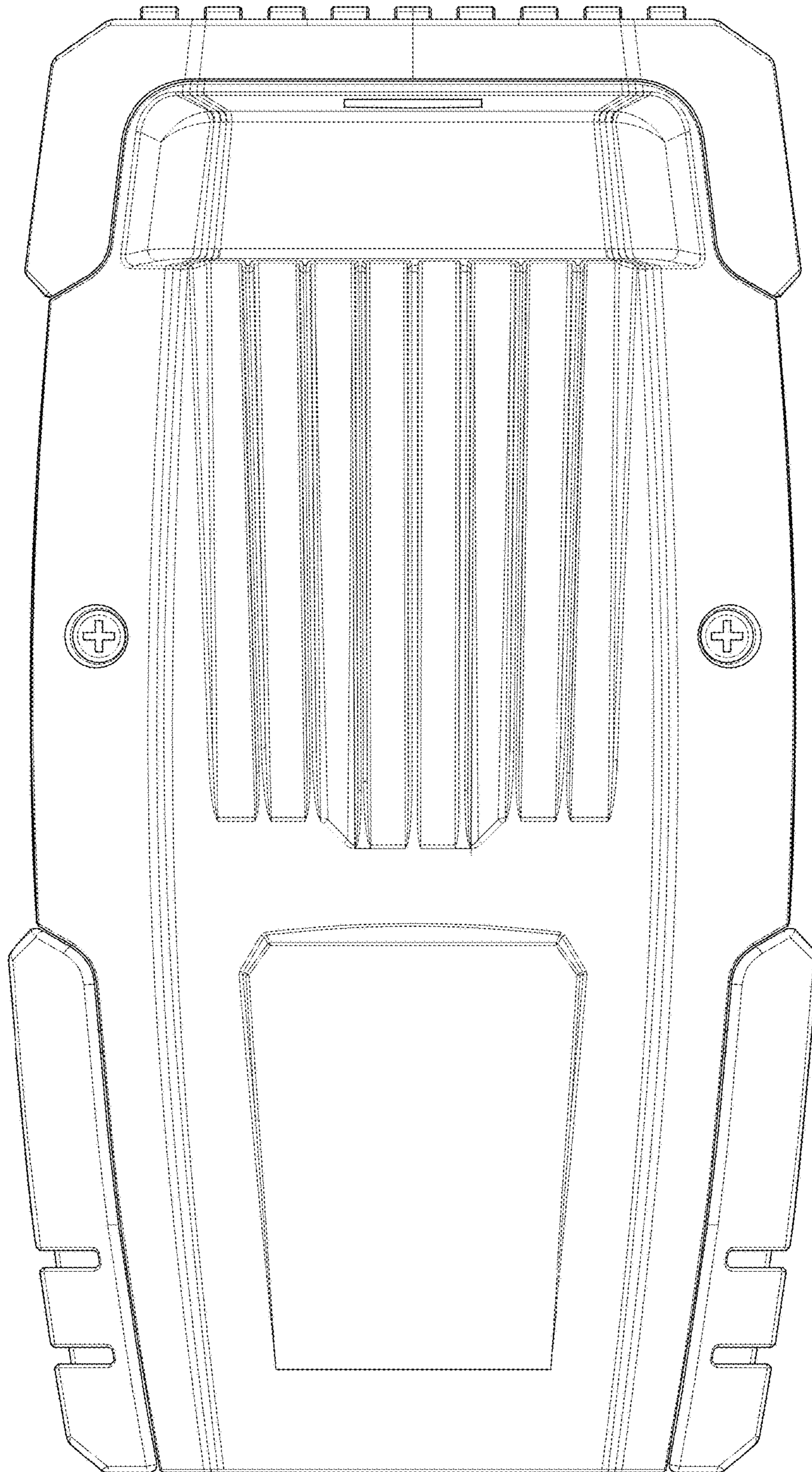


FIG. 11

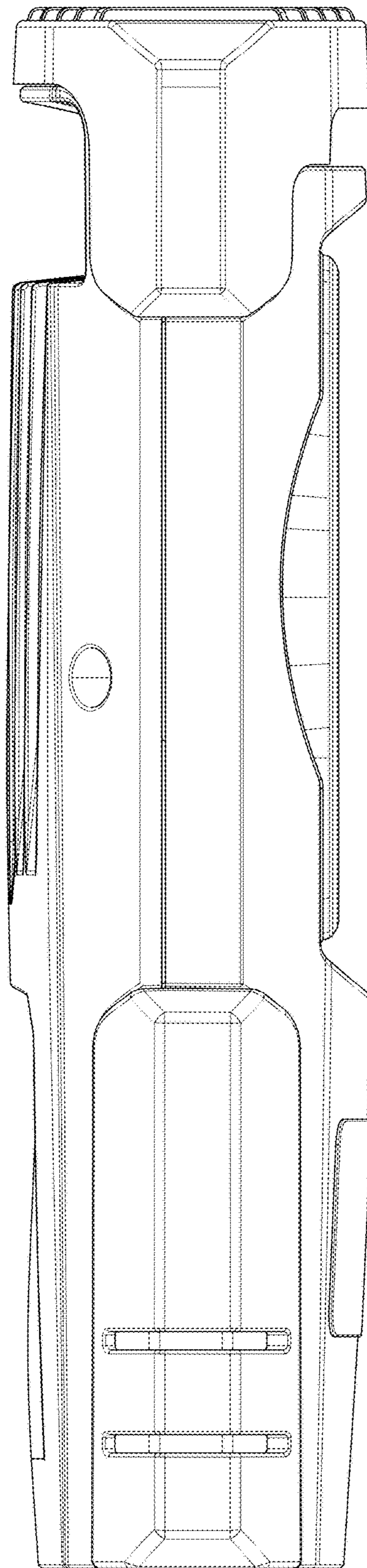


FIG. 12

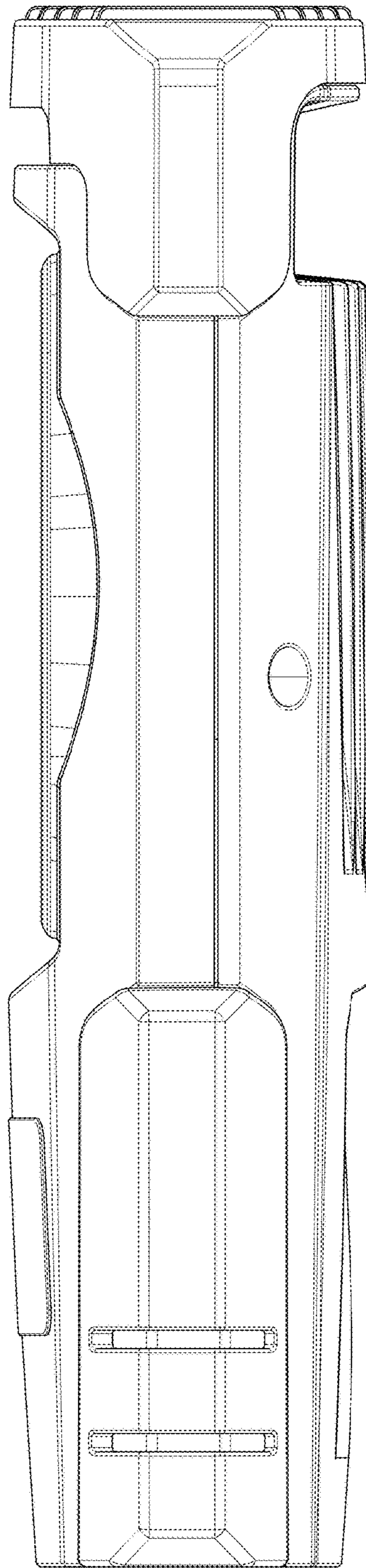


FIG. 13

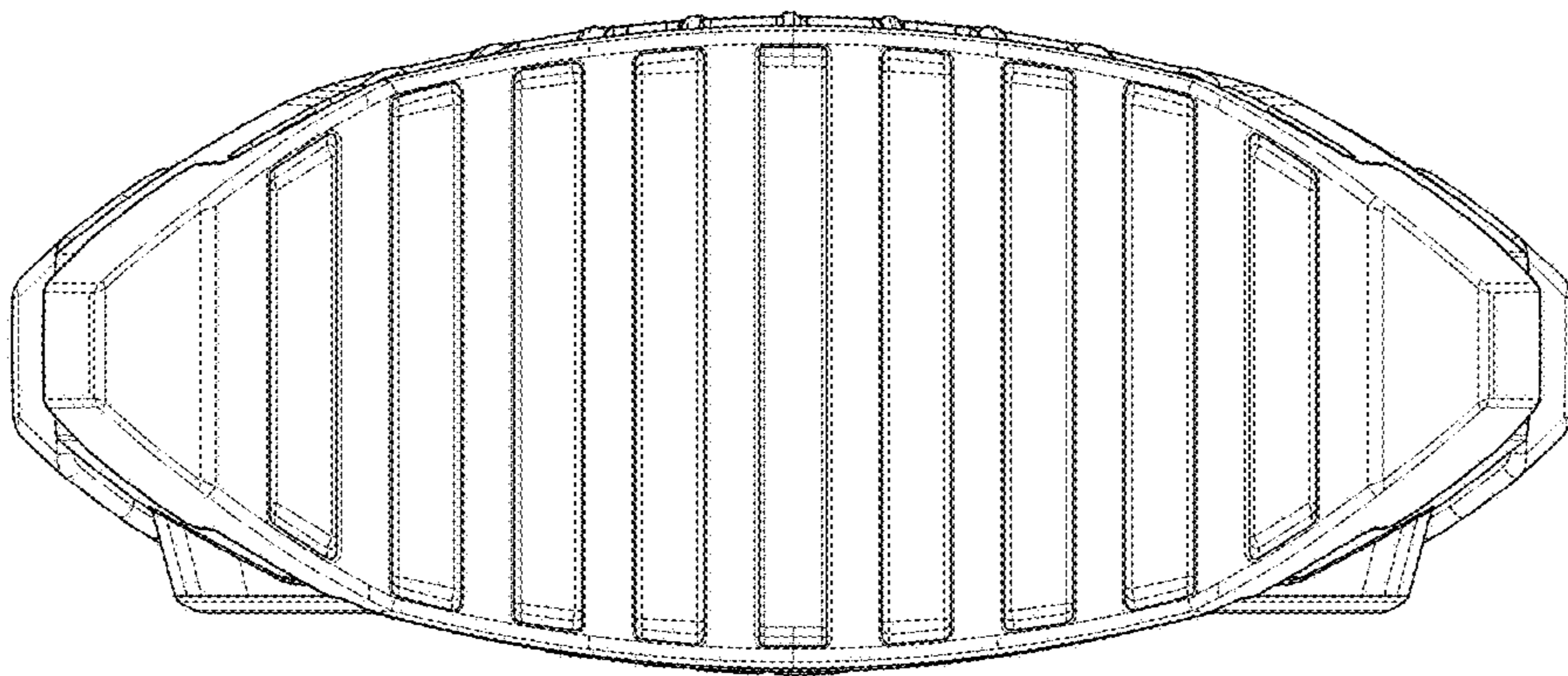


FIG. 14

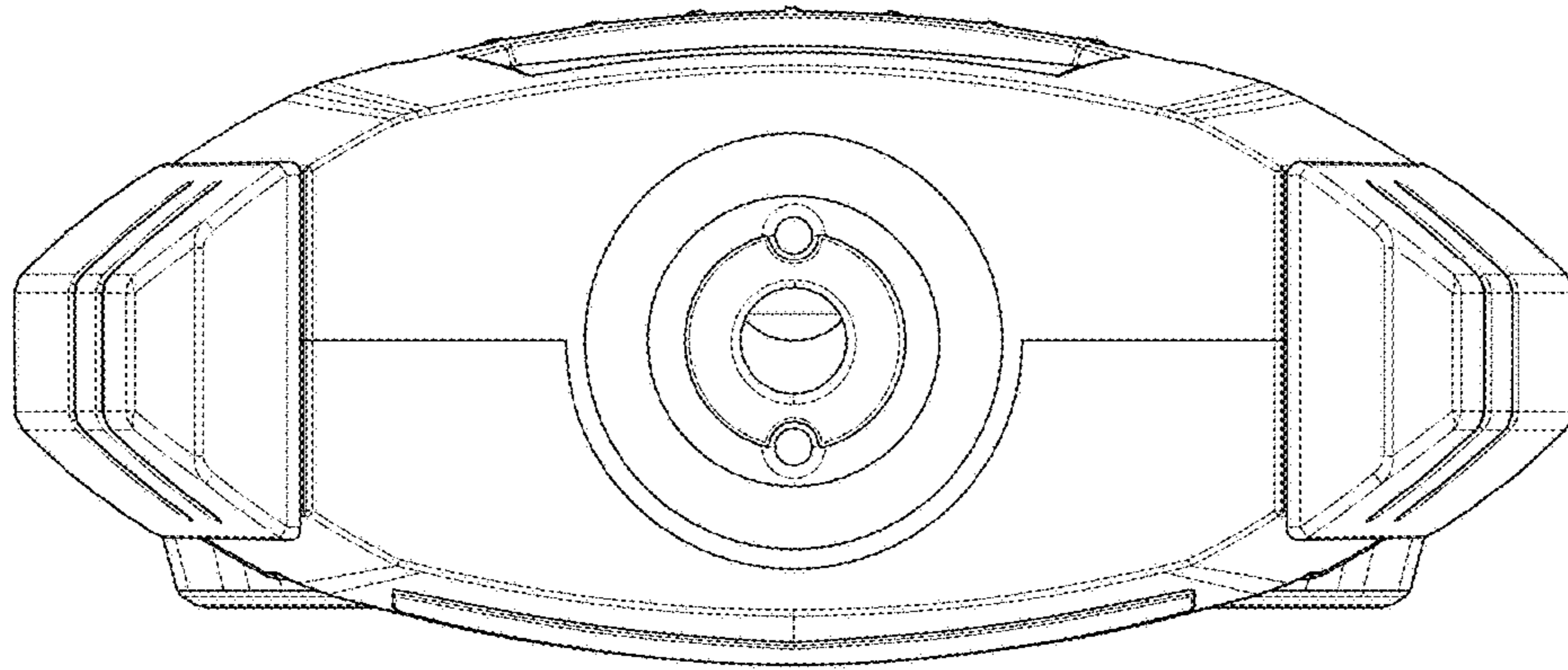


FIG. 15