



US00D853612S

(12) **United States Design Patent**
Zhu

(10) **Patent No.:** **US D853,612 S**
(45) **Date of Patent:** **** Jul. 9, 2019**

- (54) **LED LANDSCAPE LIGHT**
- (71) Applicant: **Dongsheng Zhu**, Guangdong (CN)
- (72) Inventor: **Dongsheng Zhu**, Guangdong (CN)
- (**) Term: **15 Years**
- (21) Appl. No.: **29/624,202**
- (22) Filed: **Oct. 31, 2017**
- (51) **LOC (11) Cl.** **26-05**
- (52) **U.S. Cl.**
USPC **D26/63; D26/67**
- (58) **Field of Classification Search**
USPC D26/63, 67-71, 118
CPC .. F21S 8/032; F21S 8/081; F21S 8/083; F21S 8/085; F21S 8/086; F21S 8/088; F21S 9/032; F21S 9/035; F21S 9/037; F21V 21/0824; F21W 2111/02; F21W 2111/023; F21W 2131/103; F21W 2131/109
See application file for complete search history.

(56) **References Cited**

U.S. PATENT DOCUMENTS

D173,139 S *	10/1954	Black	D26/63
D340,305 S *	10/1993	Hall	D26/68
D383,236 S *	9/1997	Krogman	D26/63
D437,652 S *	2/2001	Uhler	D26/63
D638,159 S *	5/2011	Yao	D26/63
D667,981 S *	9/2012	Connolly	D26/63
D773,707 S *	12/2016	Lentine	D26/63

D797,975 S *	9/2017	Lentine	D26/63
D798,484 S *	9/2017	Lentine	D26/63
2015/0159842 A1*	6/2015	Zhang	F21V 21/30 362/231
2015/0260385 A1*	9/2015	Brynjolfsson	F21V 23/045 315/152
2015/0308655 A1*	10/2015	Holmes	F21V 5/045 362/235
2016/0238221 A1*	8/2016	Lentine	F21V 21/0824

* cited by examiner

Primary Examiner — Clare E Heflin

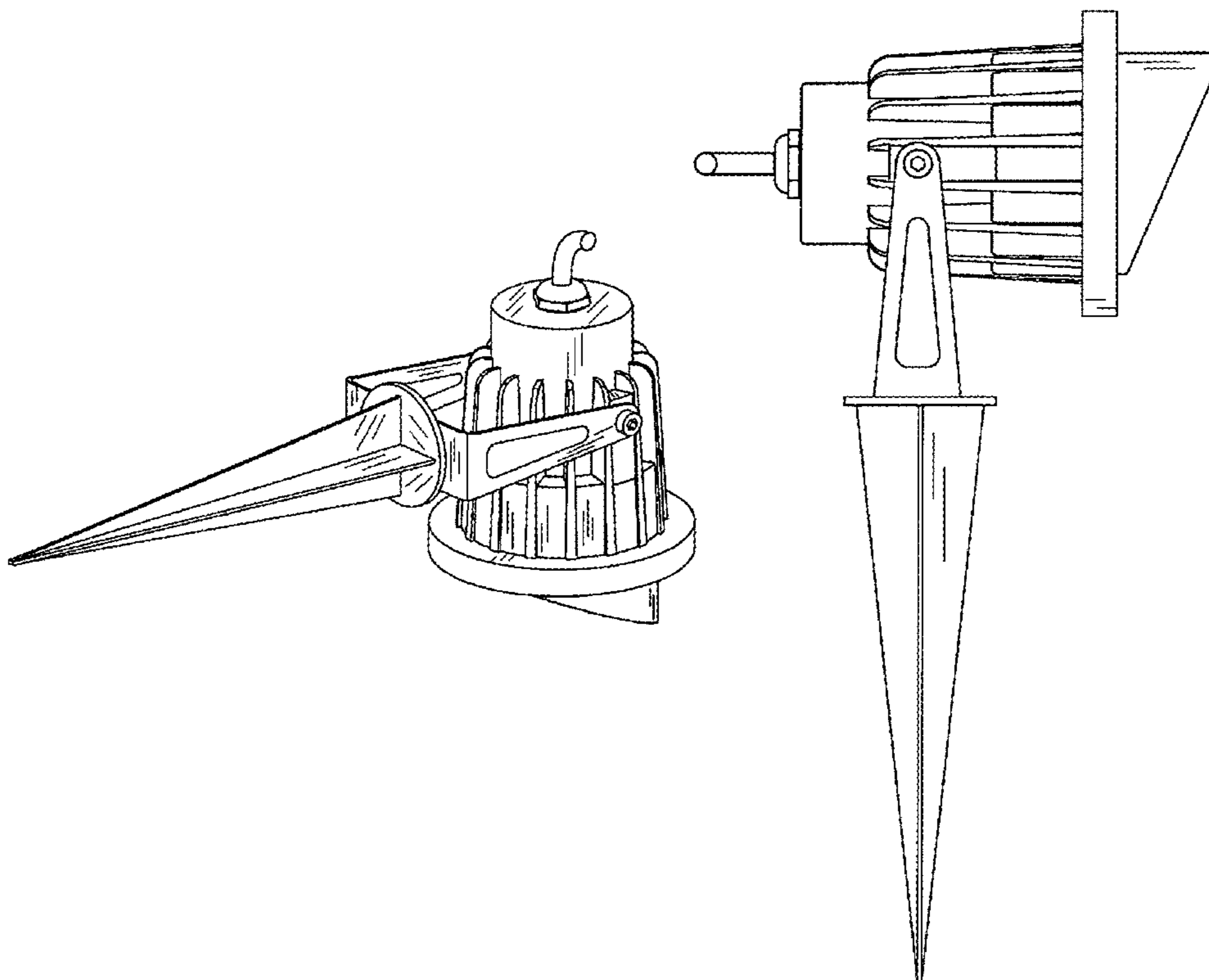
(57) **CLAIM**

The ornamental design for the LED landscape light, as shown and described.

DESCRIPTION

FIG. 1 is a perspective view of the LED landscape light showing my new design;
 FIG. 2 is a bottom plan view thereof;
 FIG. 3 is a top plan view thereof;
 FIG. 4 is a right side view thereof;
 FIG. 5 is a left side view thereof;
 FIG. 6 is a rear elevation view thereof; and,
 FIG. 7 is a front elevation view thereof.
 The broken lines shown on the drawings depict portions of the LED landscape light that form no part of the claimed design.

1 Claim, 7 Drawing Sheets



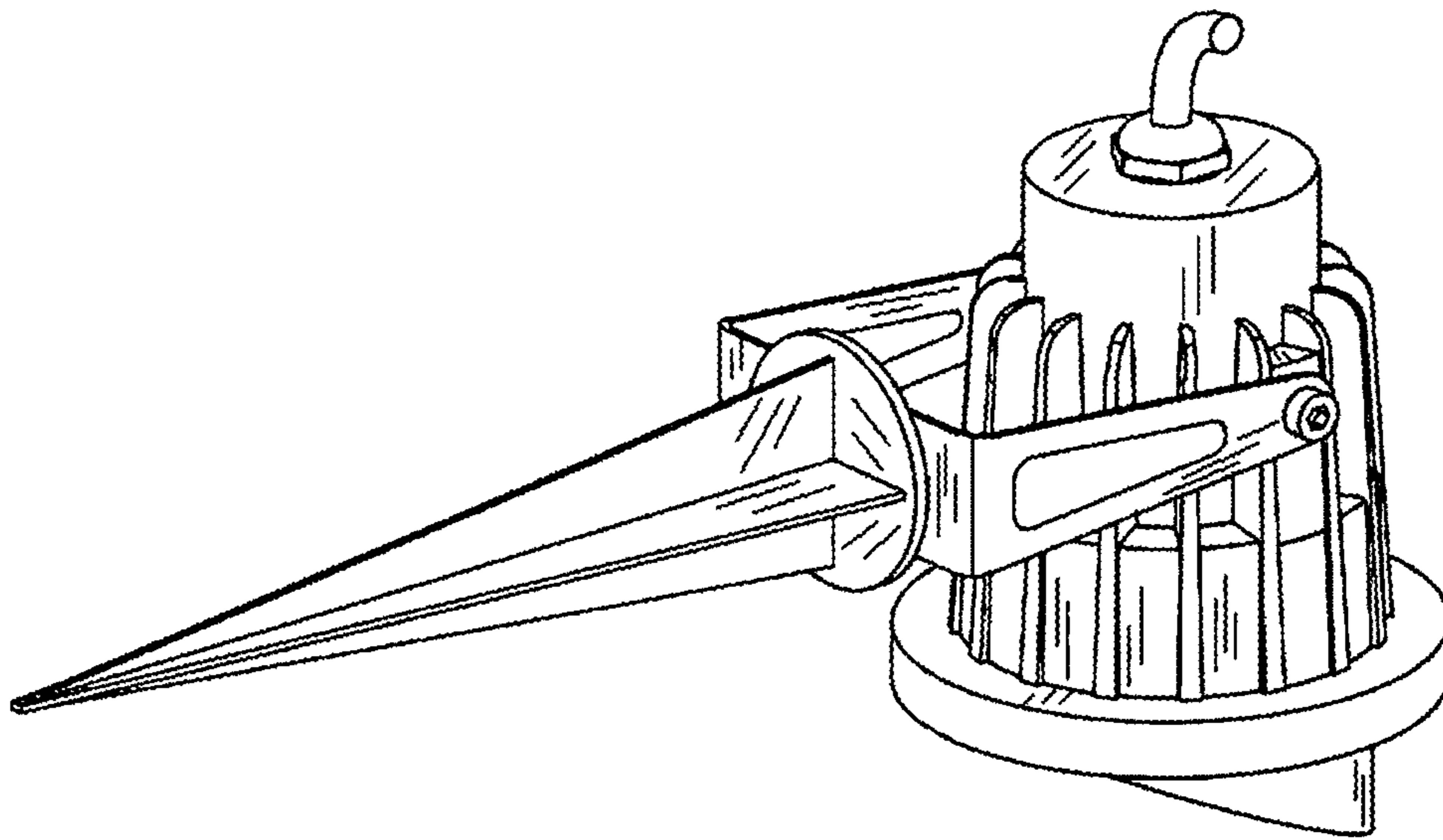


FIG. 1

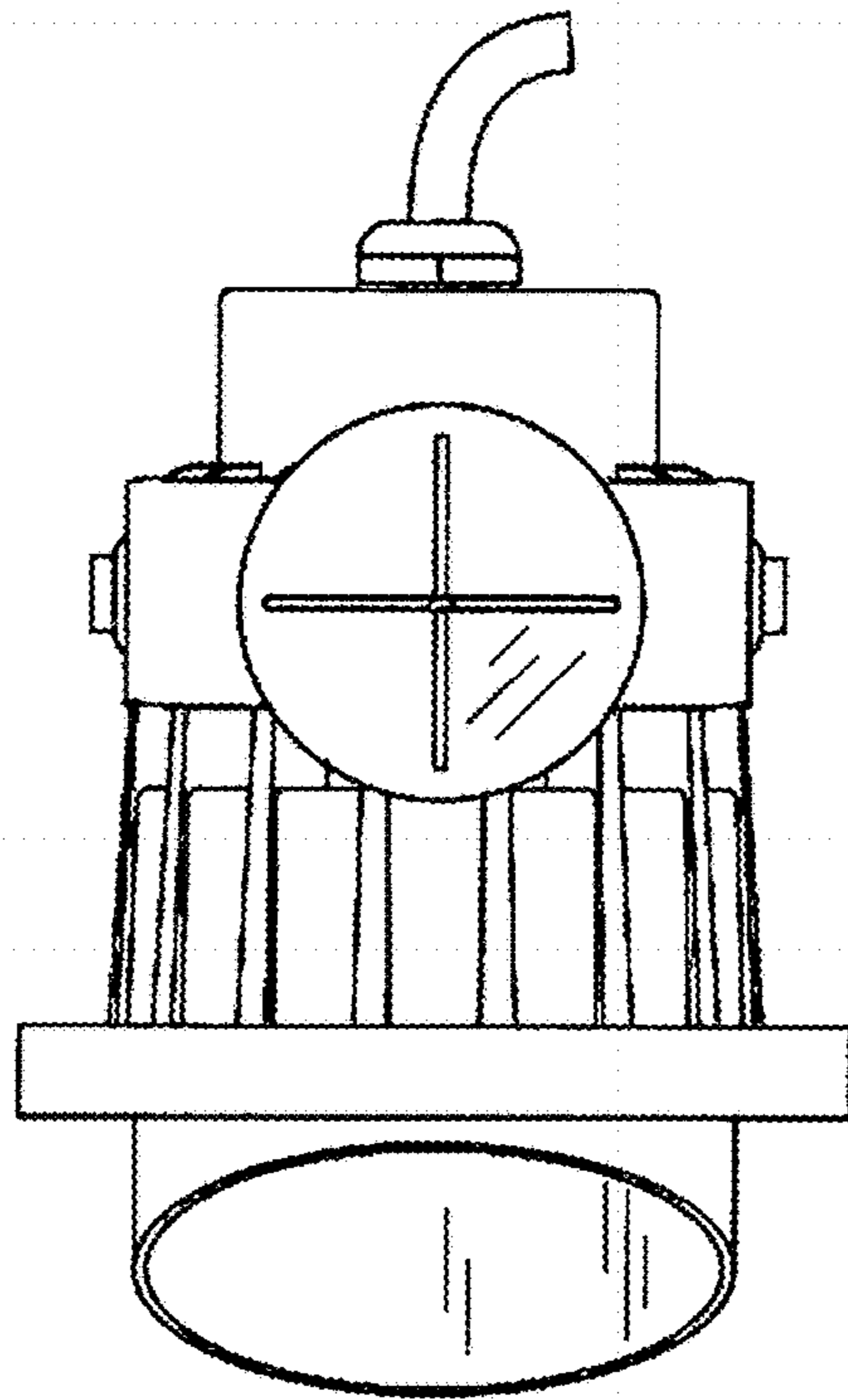


FIG. 2

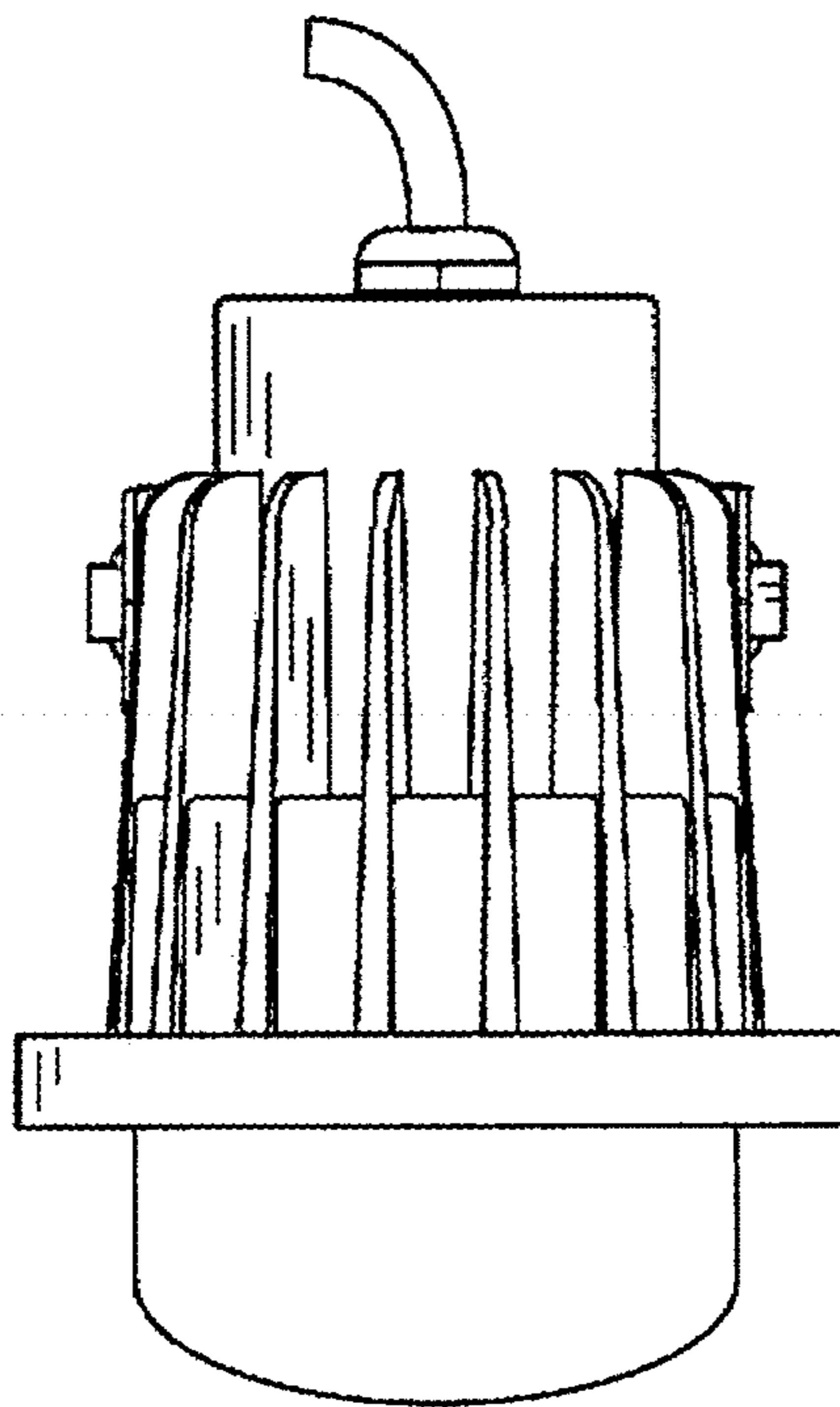


FIG. 3

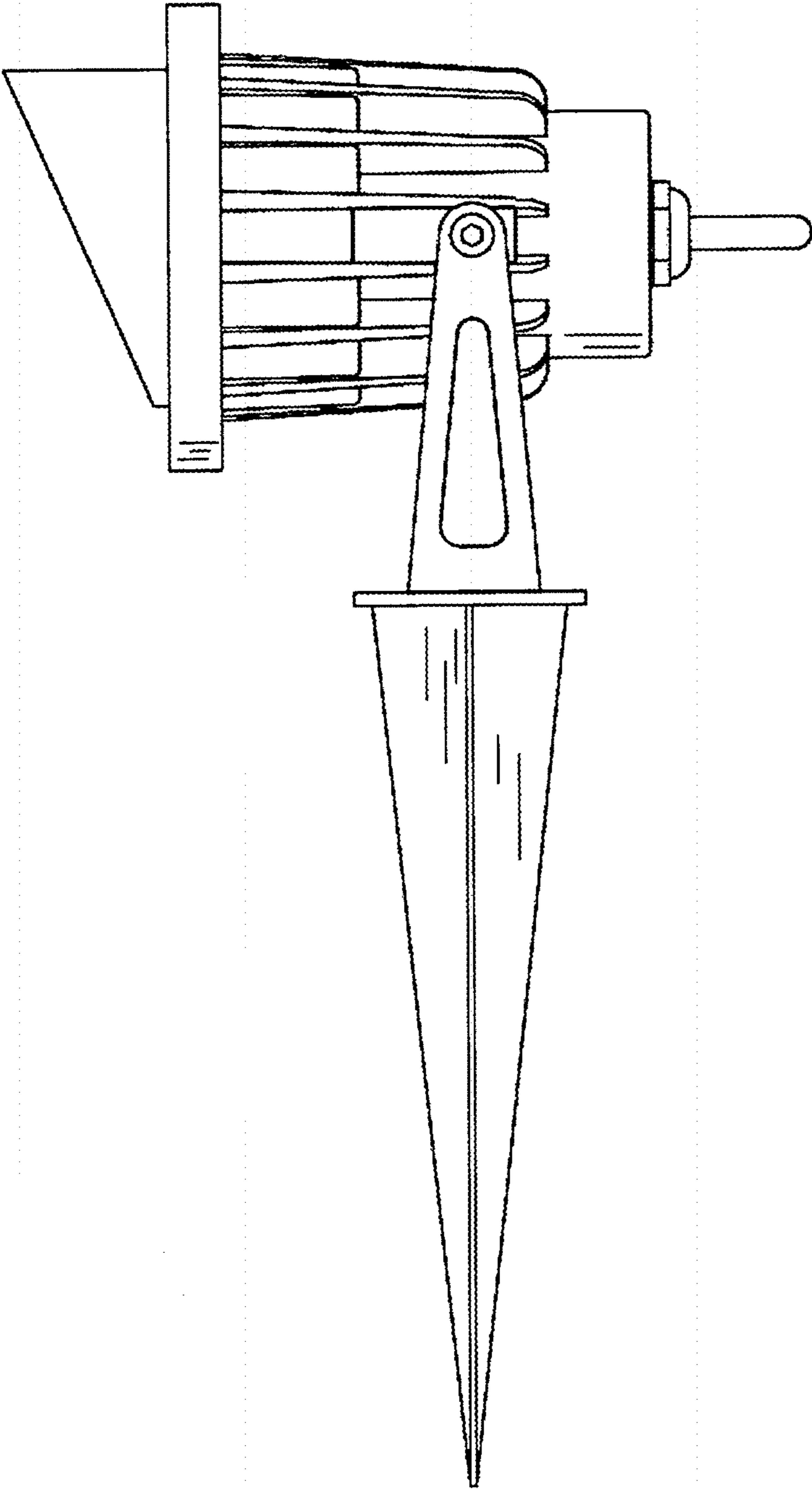


FIG. 4

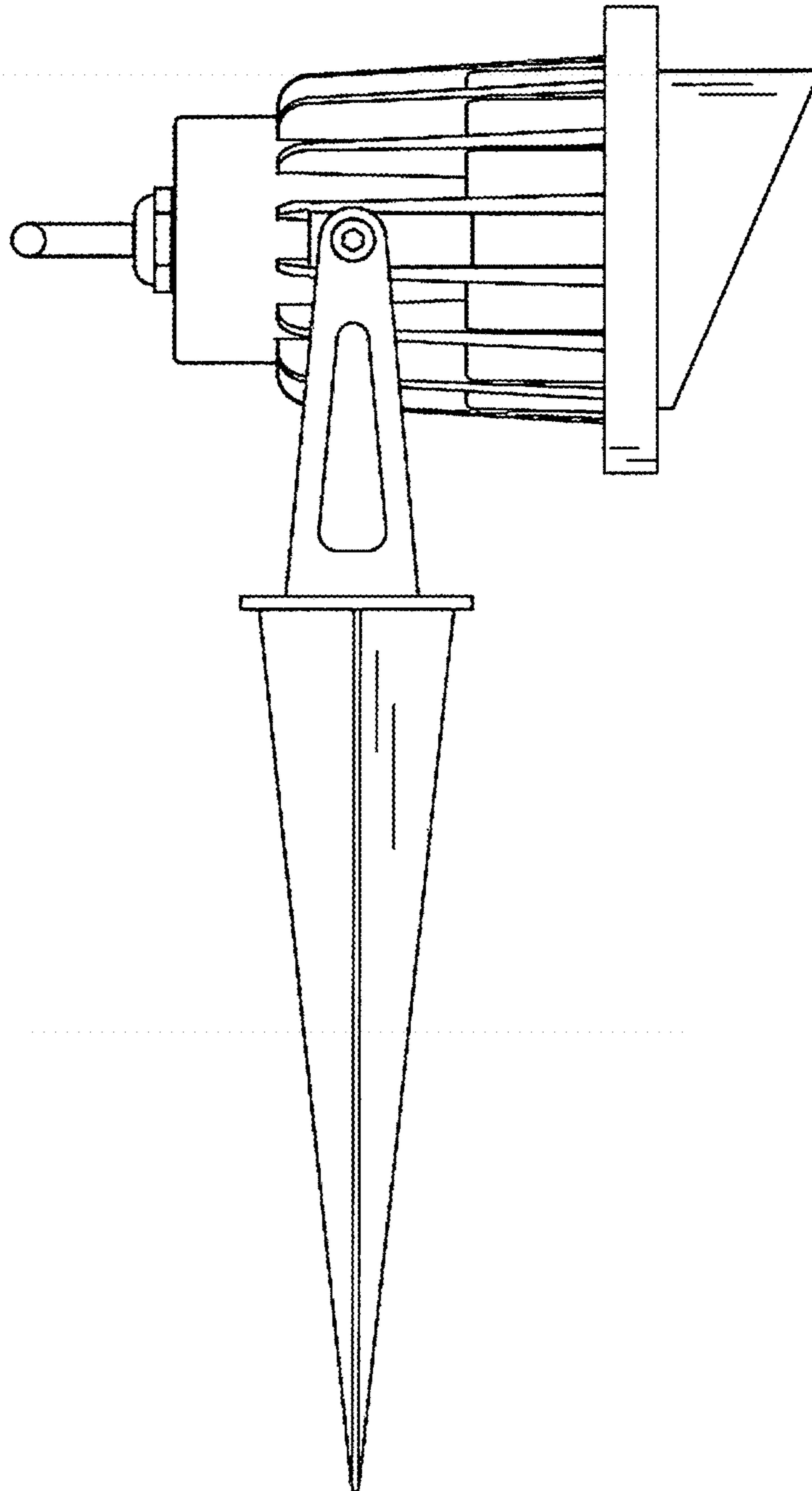


FIG. 5

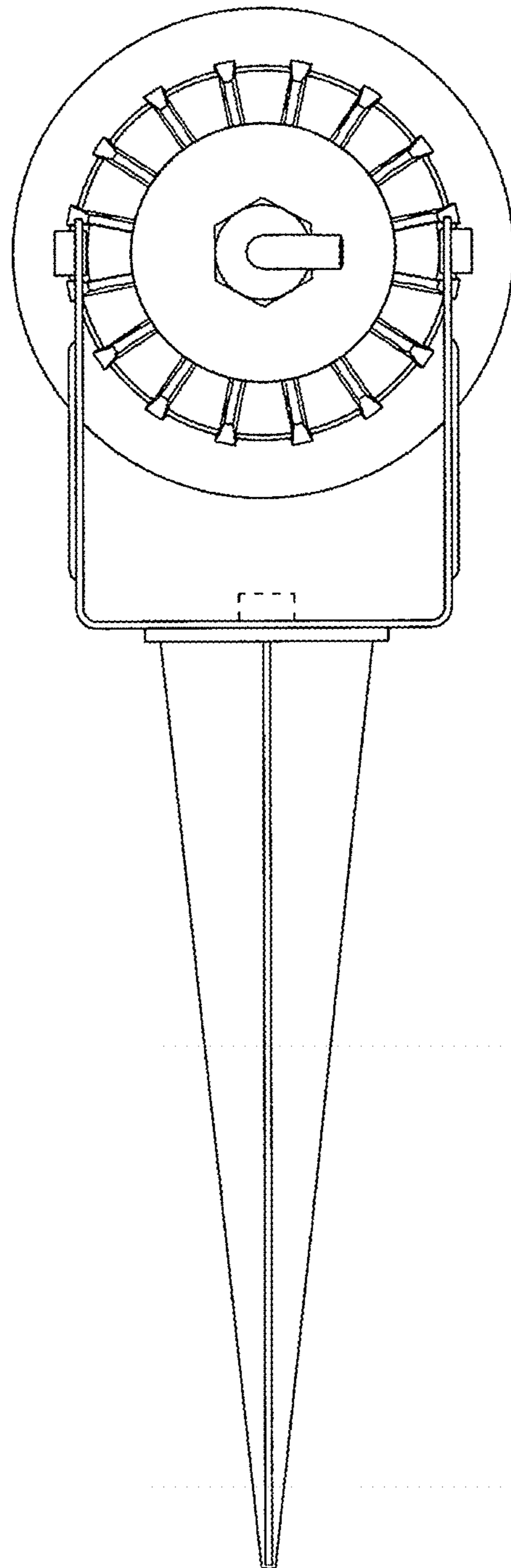


FIG. 6

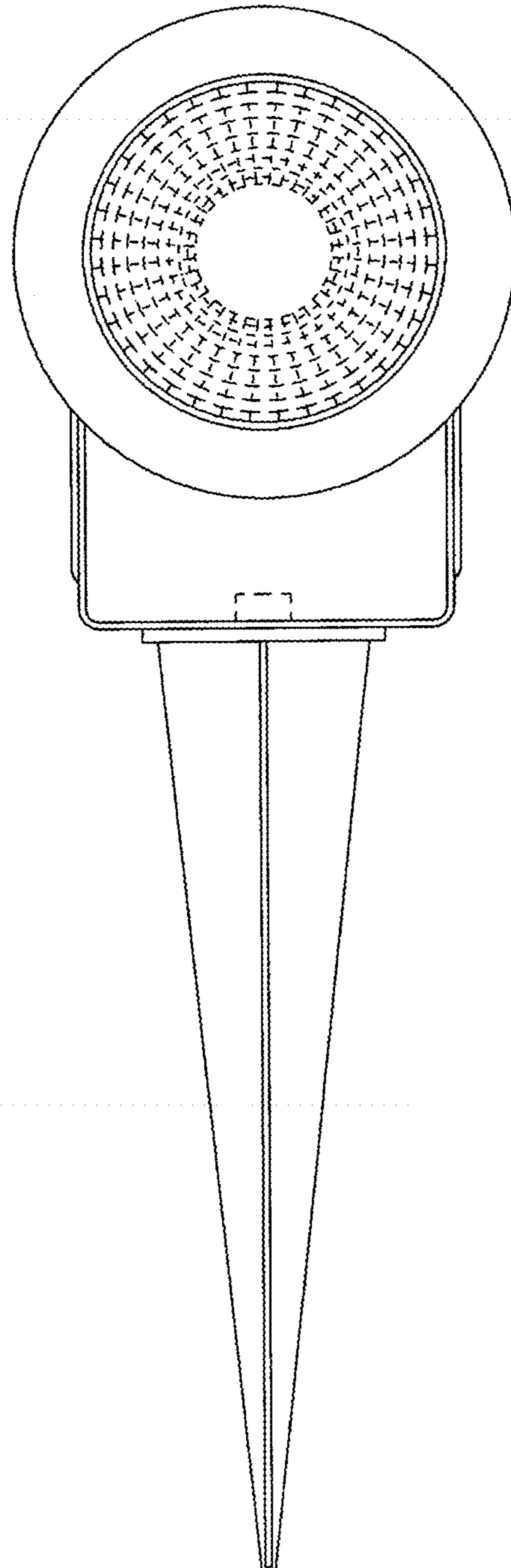


FIG. 7