



US00D853610S

(12) **United States Design Patent**
Galli

(10) **Patent No.:** **US D853,610 S**
(45) **Date of Patent:** **** Jul. 9, 2019**

(54) **FLASHLIGHT**
(71) Applicant: **Emissive Energy Corp.**, North
Kingstown, RI (US)
(72) Inventor: **Robert D. Galli**, North Kingstown, RI
(US)
(73) Assignee: **Emissive Energy Corp.**, North
Kingstown, RI (US)
(**) Term: **15 Years**
(21) Appl. No.: **29/590,114**

D557,836 S * 12/2007 Shiu D26/37
D601,285 S * 9/2009 Chen D26/49
D683,877 S * 6/2013 Brands D26/49
D698,056 S * 1/2014 Forbes D26/42
D794,237 S * 8/2017 Christensen D26/49
D803,444 S * 11/2017 Green D26/49
D803,446 S * 11/2017 Green D26/49
D803,447 S * 11/2017 Green D26/49

* cited by examiner

Primary Examiner — Lakiya G Rogers
Assistant Examiner — Carissa C Fitts
(74) *Attorney, Agent, or Firm* — Barlow, Josephs &
Holmes, Ltd.

(22) Filed: **Jan. 6, 2017**
(51) **LOC (11) Cl.** **26-02**
(52) **U.S. Cl.**
USPC **D26/49**
(58) **Field of Classification Search**
USPC D26/37-51
CPC F21L 2003/00; F21L 4/00; F21L 4/005;
F21L 4/02; F21L 4/025; F21L 4/027;
F21L 4/04; F21L 4/08; F21L 2005/00;
F21L 7/00; F21L 11/00; F21L 13/00;
F21L 13/04; F21L 13/08; F21L 14/02;
F21L 17/00
See application file for complete search history.

(57) **CLAIM**

The ornamental design for a flashlight, as shown and described.

DESCRIPTION

FIG. 1 is a perspective view of a flashlight in accordance with the present design;
FIG. 2 is a front view thereof;
FIG. 3 is a rear view thereof;
FIG. 4 is a top view thereof, the top and bottom views being identical; and,
FIG. 5 is a left side view thereof, the left side and right side views being mirror images.
The broken lines show portions of the article which form no part of the claimed design.

(56) **References Cited**

U.S. PATENT DOCUMENTS

D546,491 S * 7/2007 Shiu D26/49
D551,366 S * 9/2007 Galli D26/37

1 Claim, 3 Drawing Sheets

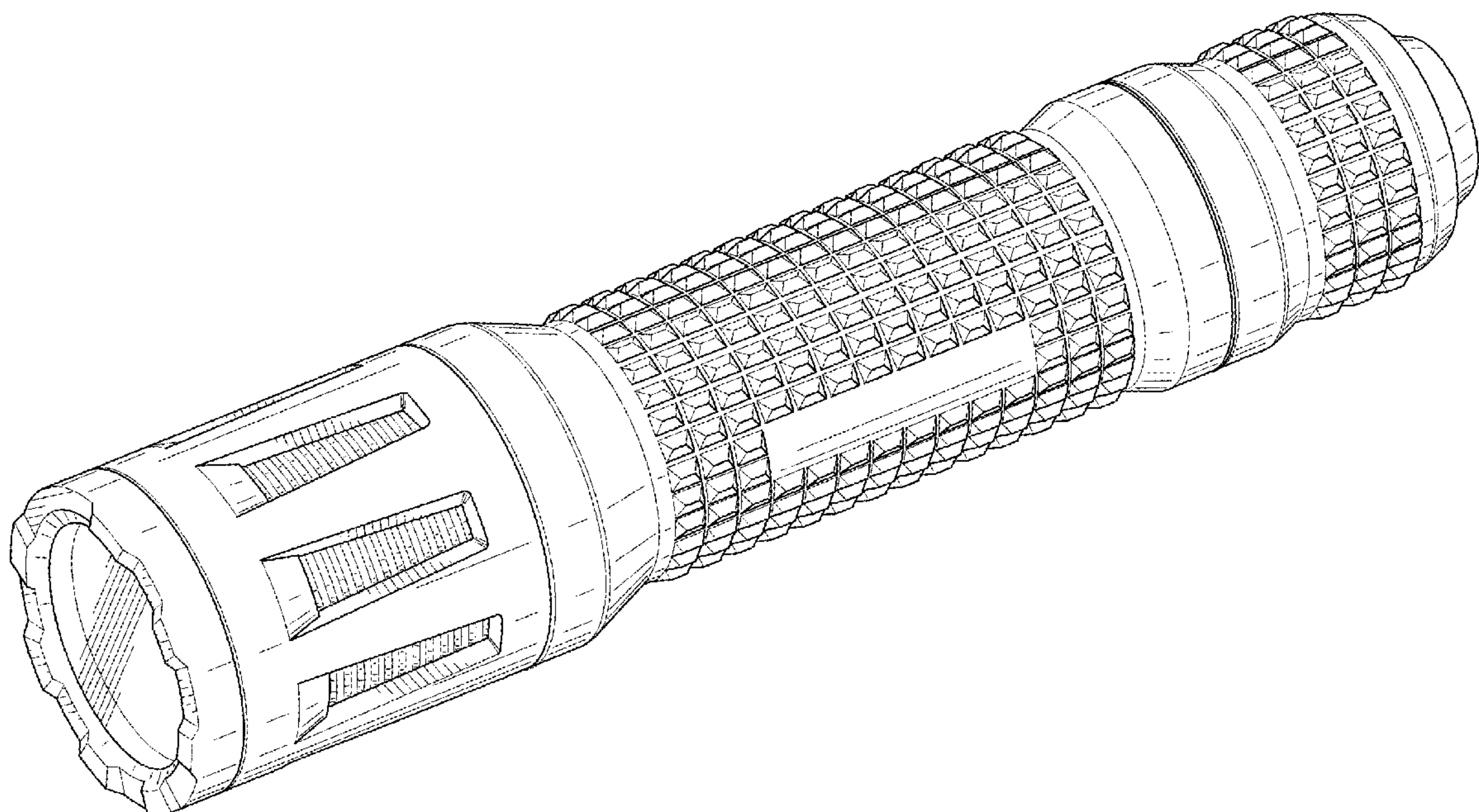
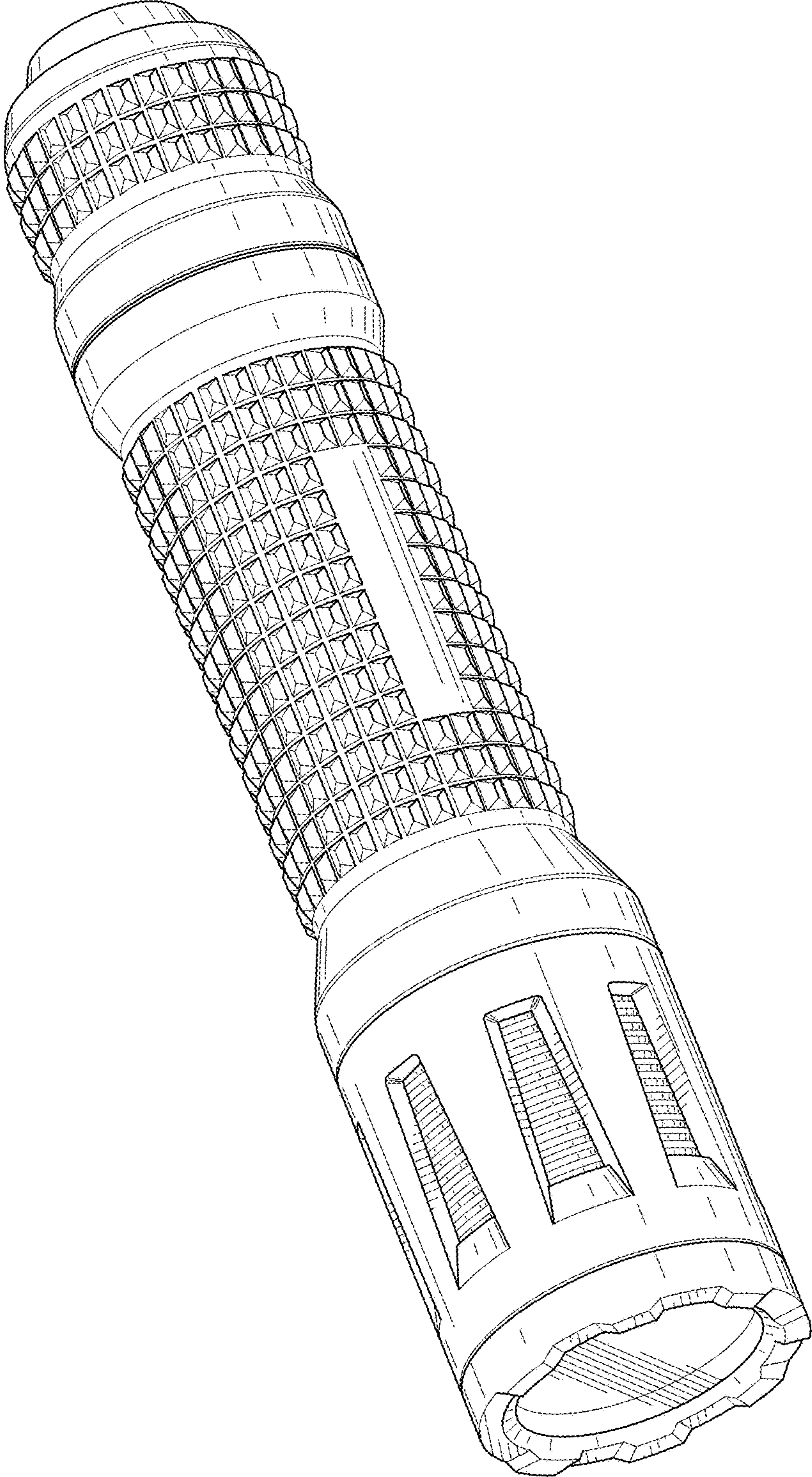


FIG. 1



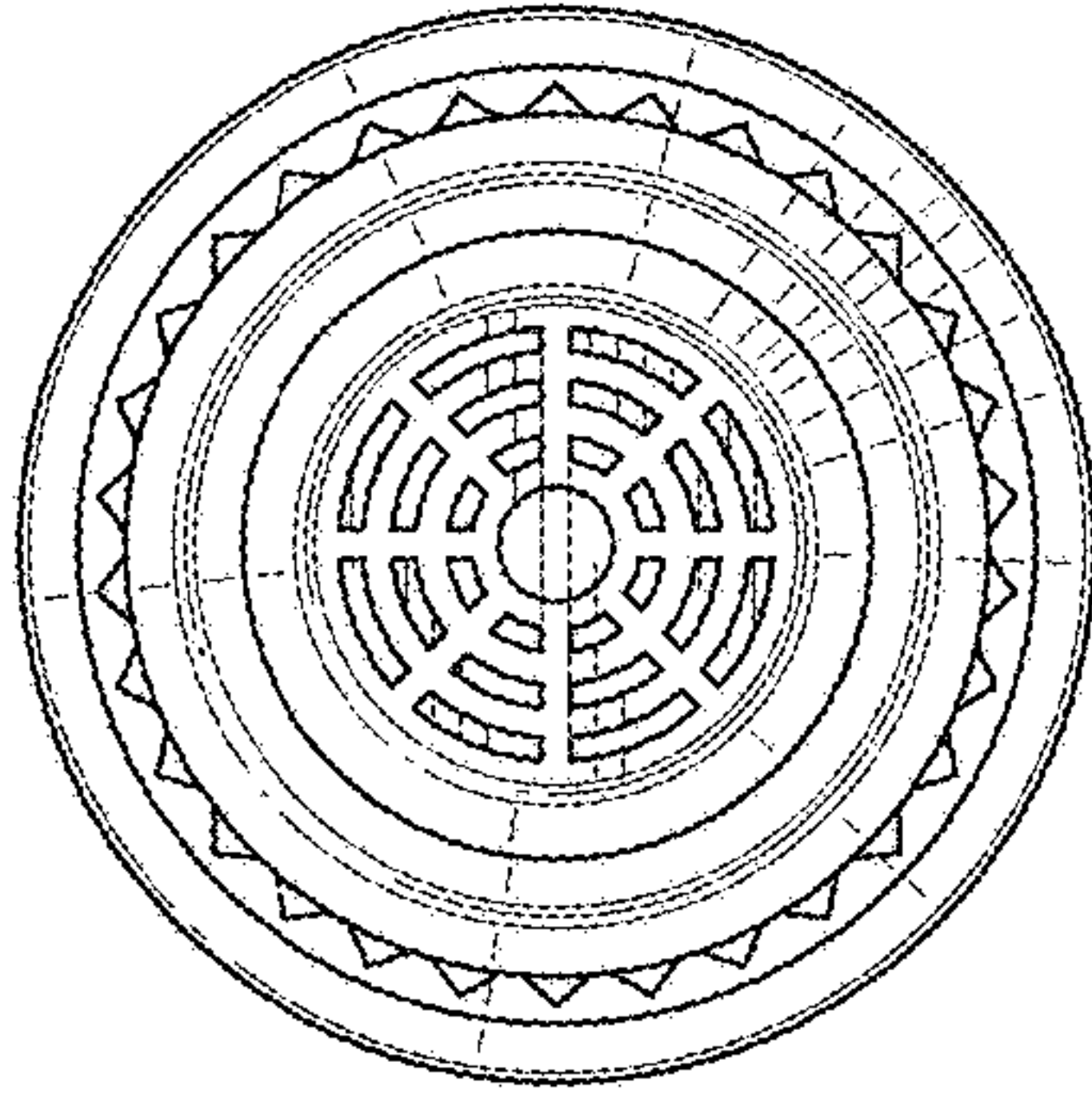


FIG. 3

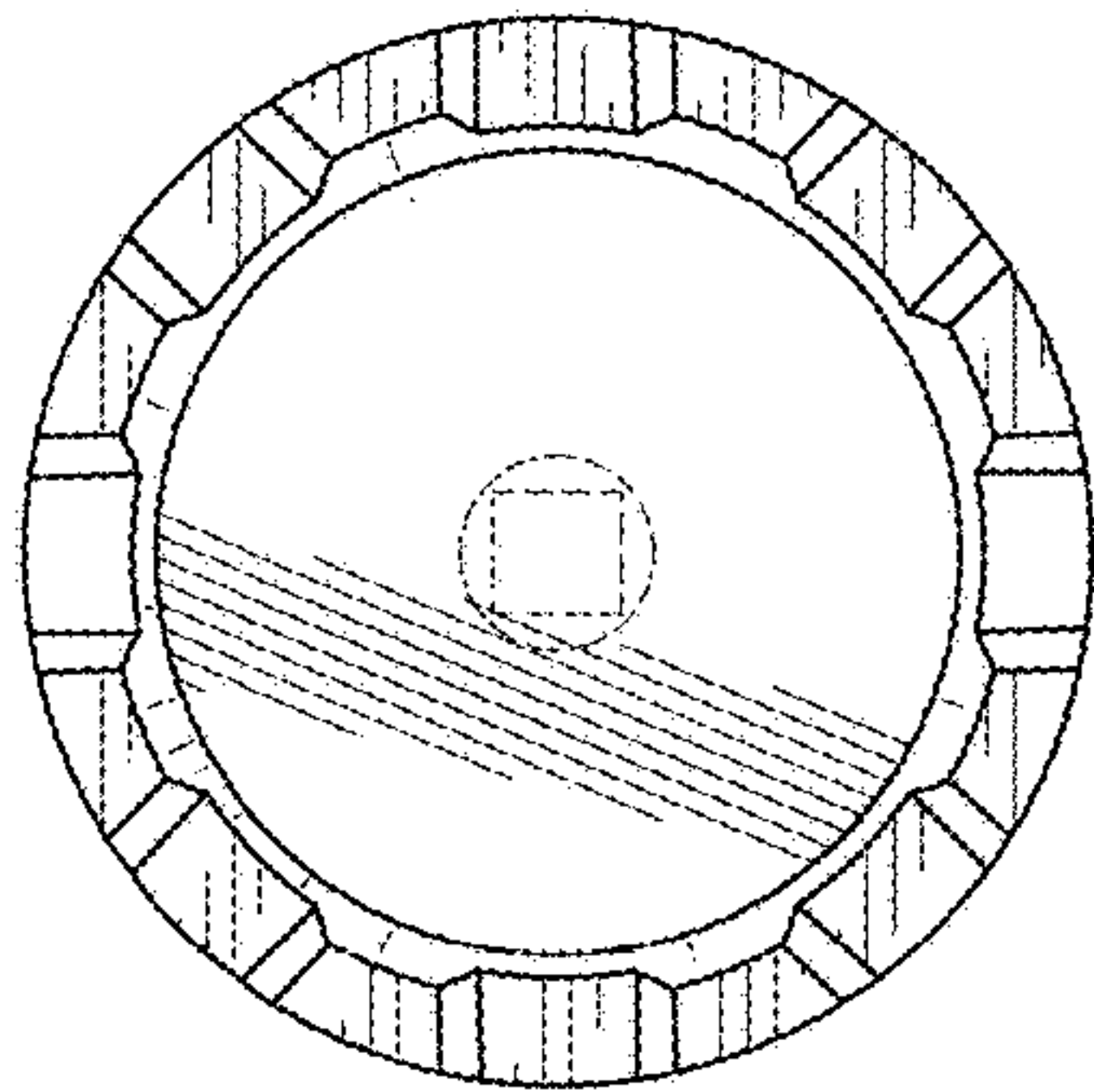


FIG. 2

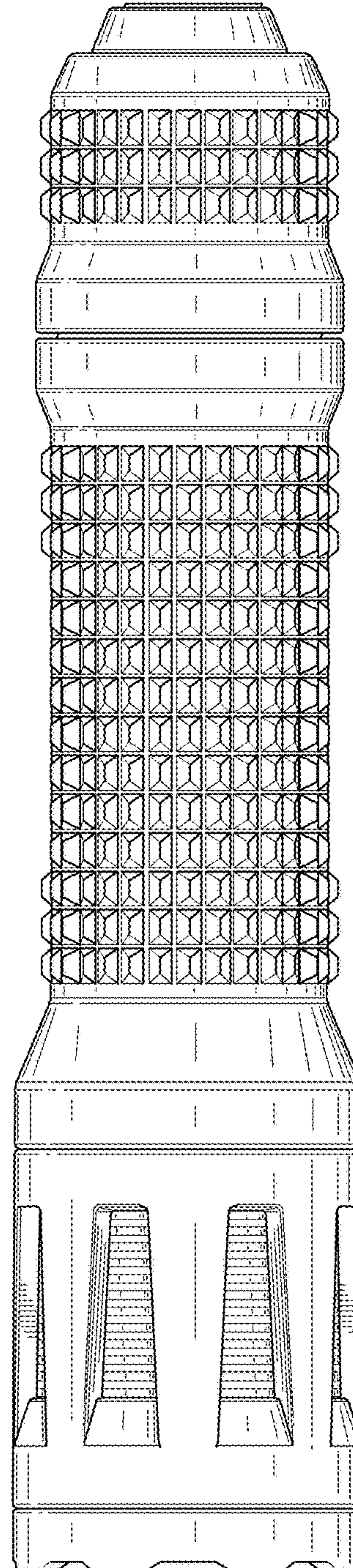


FIG. 4

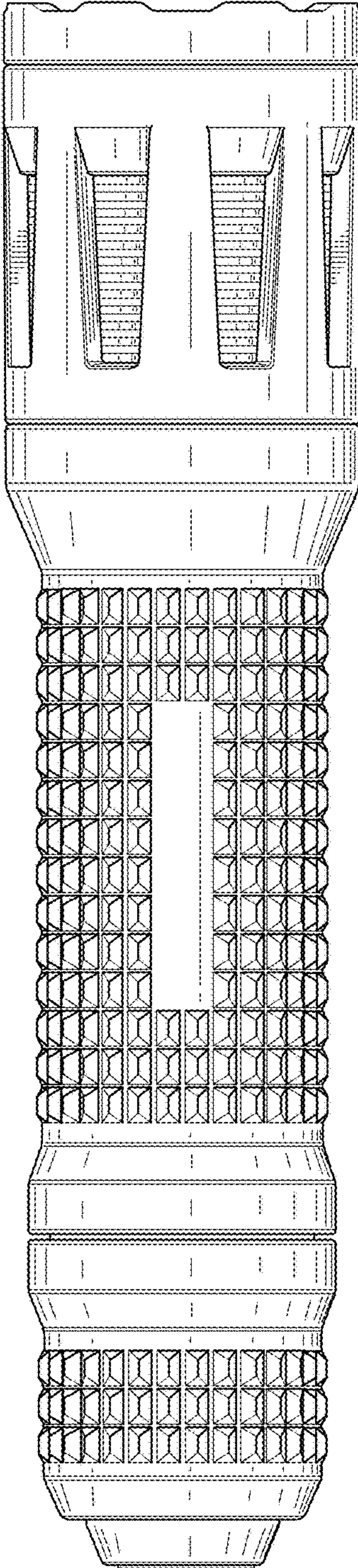


FIG. 5