



US00D853604S

(12) **United States Design Patent**
Ting et al.

(10) **Patent No.:** **US D853,604 S**

(45) **Date of Patent:** **** Jul. 9, 2019**

(54) **VEHICLE LAMP**

(71) Applicant: **MIN HSIANG CORPORATION,**
Tainan (TW)

(72) Inventors: **Ming-Hung Ting,** Tainan (TW); **I-Ta Tu,** Tainan (TW)

(73) Assignee: **MIN HSIANG CORPORATION,**
Tainan (TW)

(**) Term: **15 Years**

(21) Appl. No.: **29/629,257**

(22) Filed: **Dec. 12, 2017**

(51) **LOC (11) Cl.** **26-06**

(52) **U.S. Cl.**
USPC **D26/28**

(58) **Field of Classification Search**
USPC D26/28-36
CPC F21S 48/00; F21S 48/10; F21S 48/1266;
F21S 48/1388; F21S 48/2268; F21V
21/04
See application file for complete search history.

(56) **References Cited**

U.S. PATENT DOCUMENTS

D304,861 S	*	11/1989	Schmidt	D26/29
D476,100 S	*	6/2003	Lin	D26/28
D643,955 S	*	8/2011	Tsai	D26/28
D738,018 S	*	9/2015	Lin	D26/28
D760,932 S	*	7/2016	Huang	D26/28

D762,891 S	*	8/2016	Watanabe	D26/28
D762,892 S	*	8/2016	Kosugi	D26/28
D765,287 S	*	8/2016	Kosugi	D26/28
D770,652 S	*	11/2016	Lai	D26/28
D772,450 S	*	11/2016	Ma	D26/28
D772,451 S	*	11/2016	Ma	D26/28
D772,452 S	*	11/2016	Zhang	D26/28
D810,330 S	*	2/2018	Sibitzky	D26/28
D815,318 S	*	4/2018	LaMarche	D26/28
D821,635 S	*	6/2018	Wu	D26/122
D839,458 S	*	1/2019	Ting	D26/28

* cited by examiner

Primary Examiner — Mark A Goodwin

Assistant Examiner — Benjamin M Weeks

(74) *Attorney, Agent, or Firm* — LeClairRyan

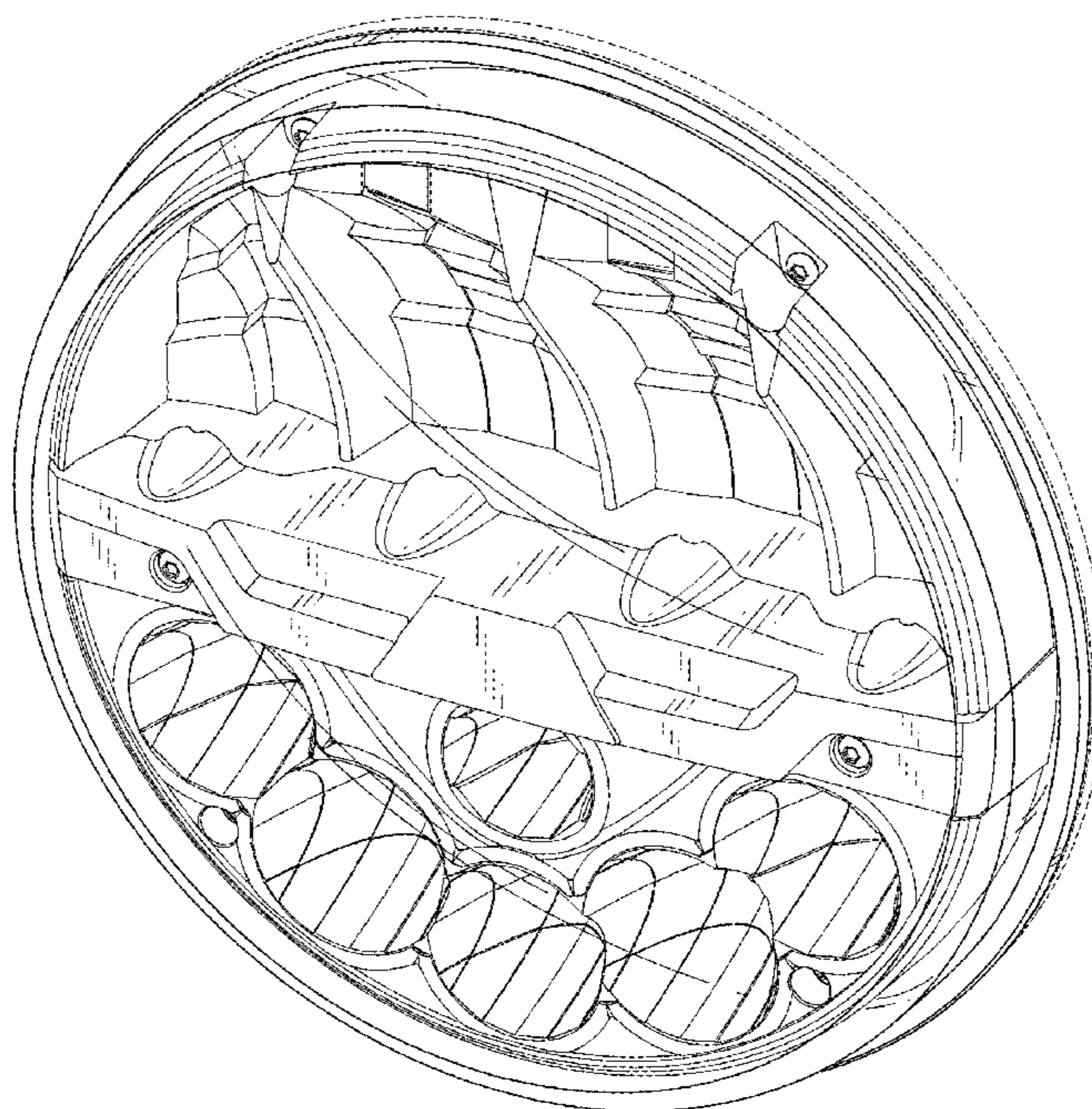
(57) **CLAIM**

The ornamental design for a vehicle lamp, as shown and described.

DESCRIPTION

FIG. 1 is a perspective view of a vehicle lamp showing our new design;
FIG. 2 is a front elevational view thereof;
FIG. 3 is a rear elevational view thereof;
FIG. 4 is a left side elevational view thereof;
FIG. 5 is a right side elevational view thereof;
FIG. 6 is a top plan view thereof;
FIG. 7 is a bottom plan view thereof; and,
FIG. 8 is another perspective view thereof.
The broken lines represent portions of the vehicle lamp and form no part of the claimed design.

1 Claim, 7 Drawing Sheets



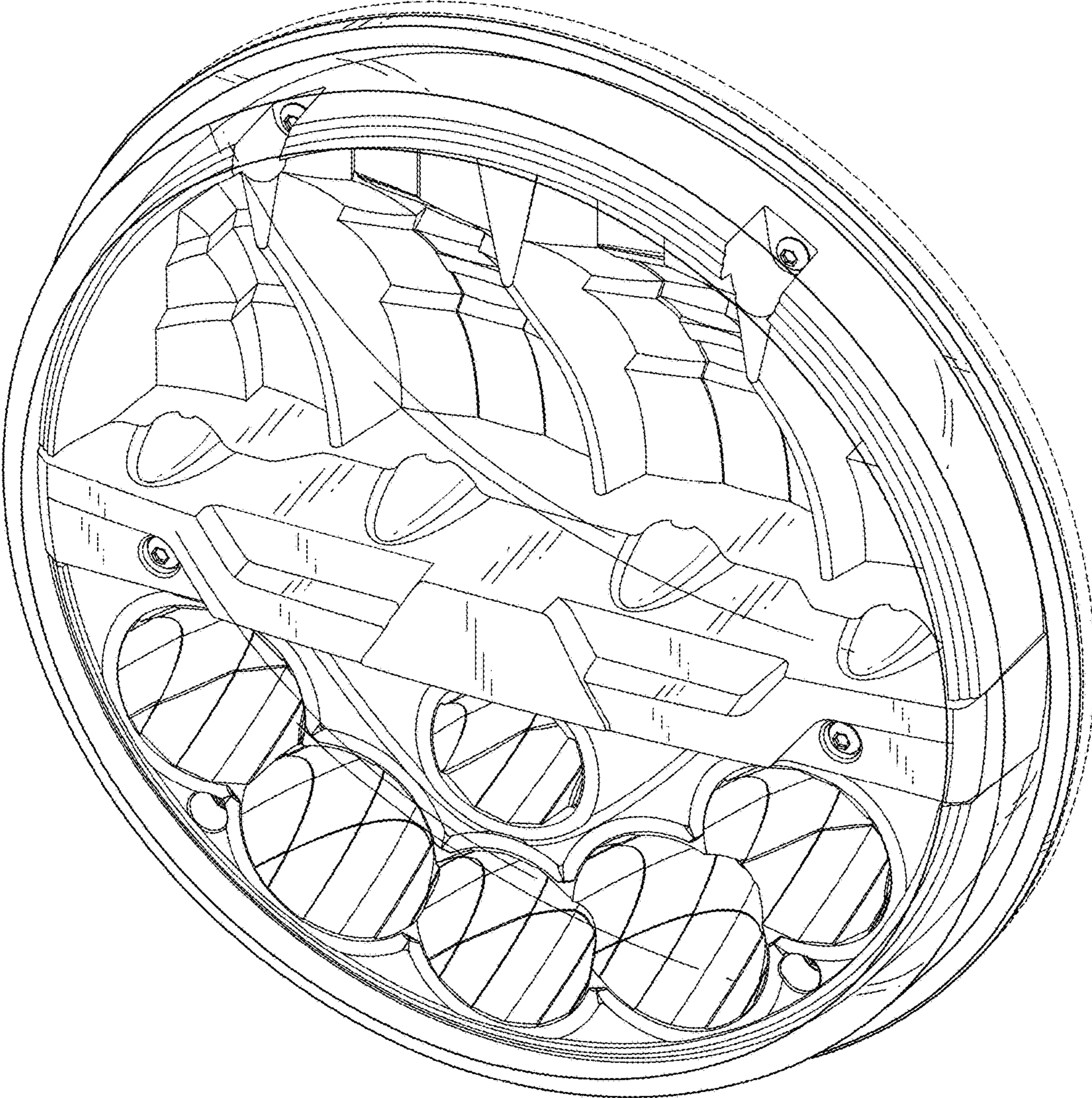


FIG.1

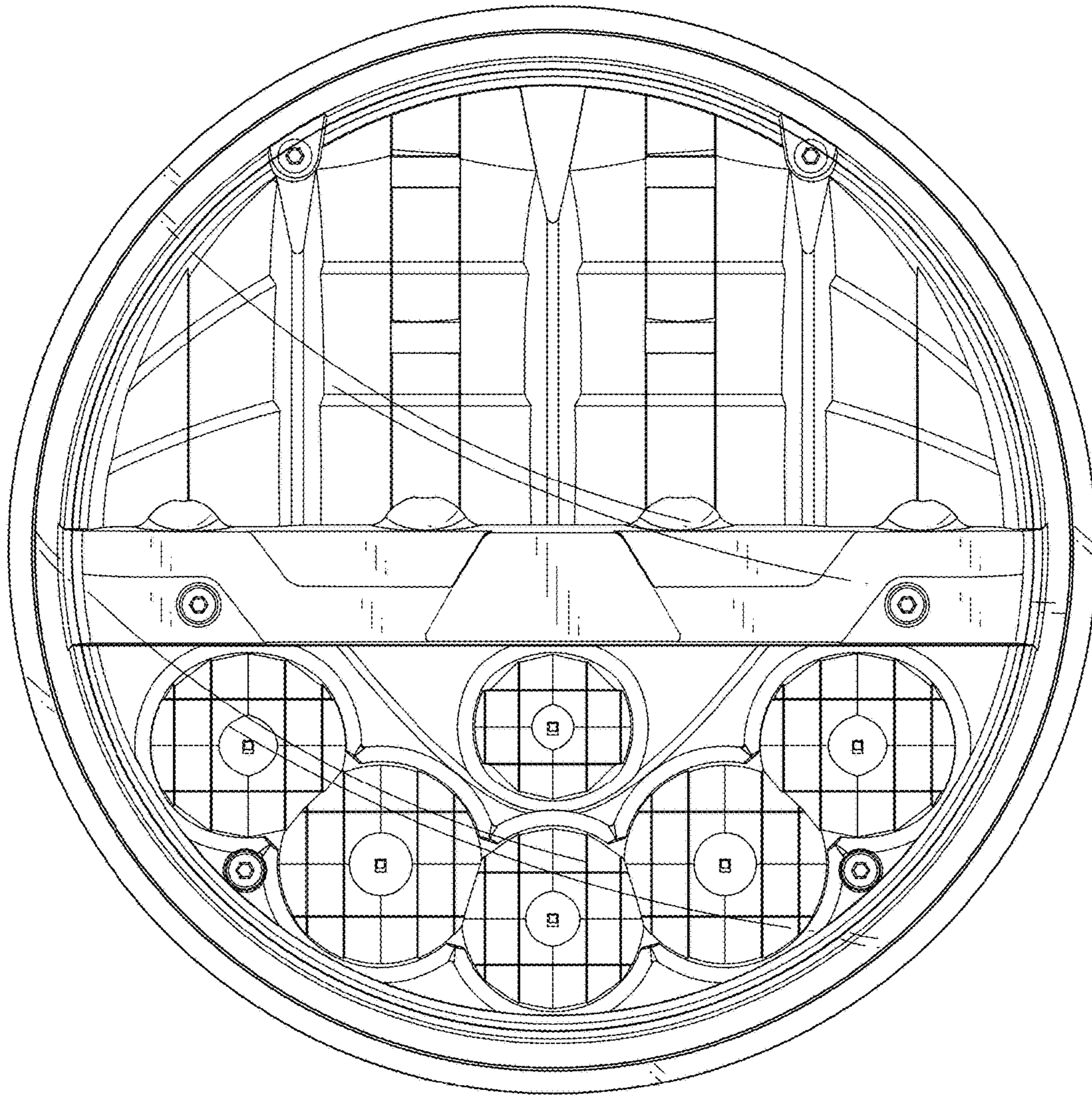


FIG.2

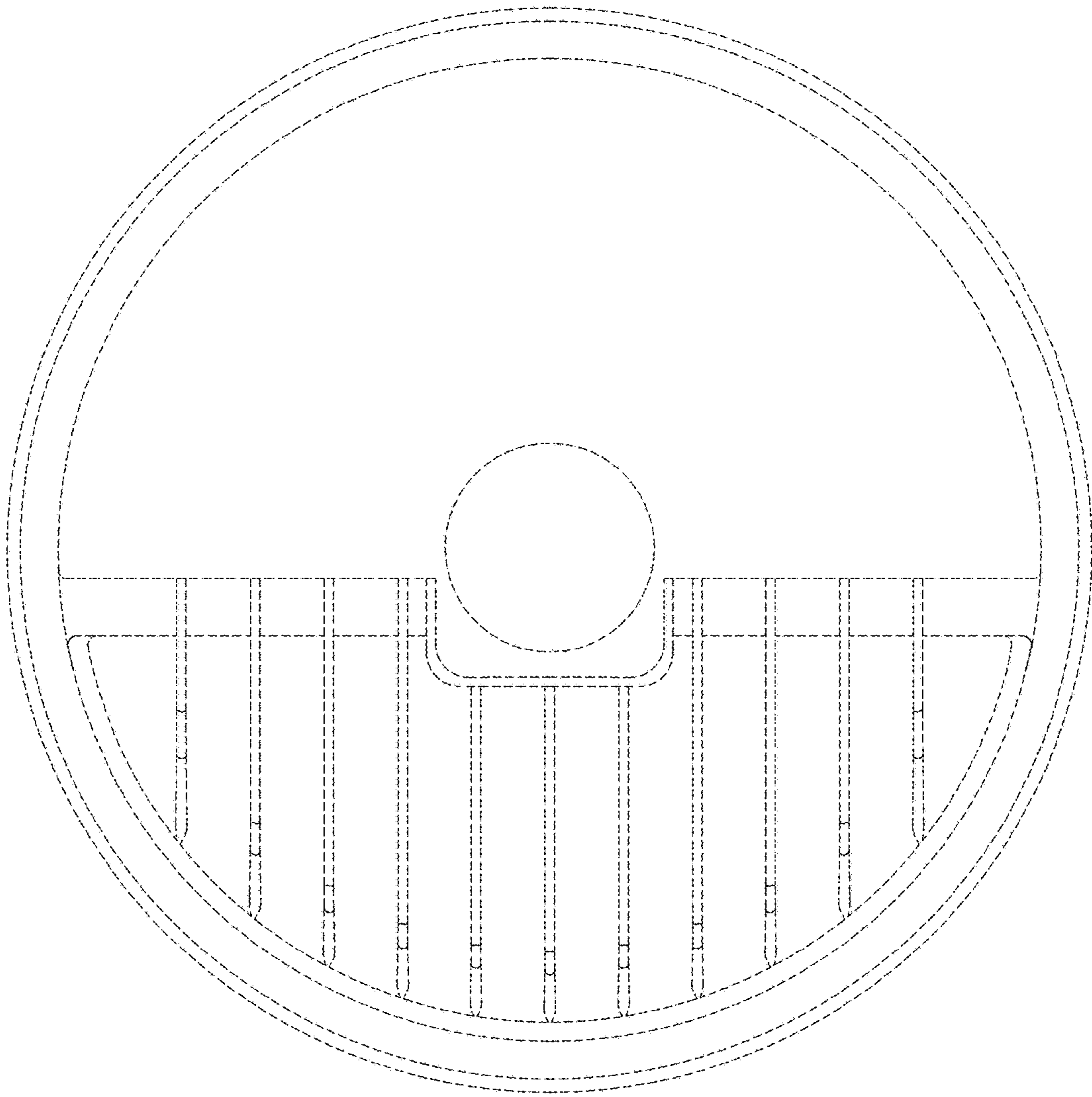


FIG.3

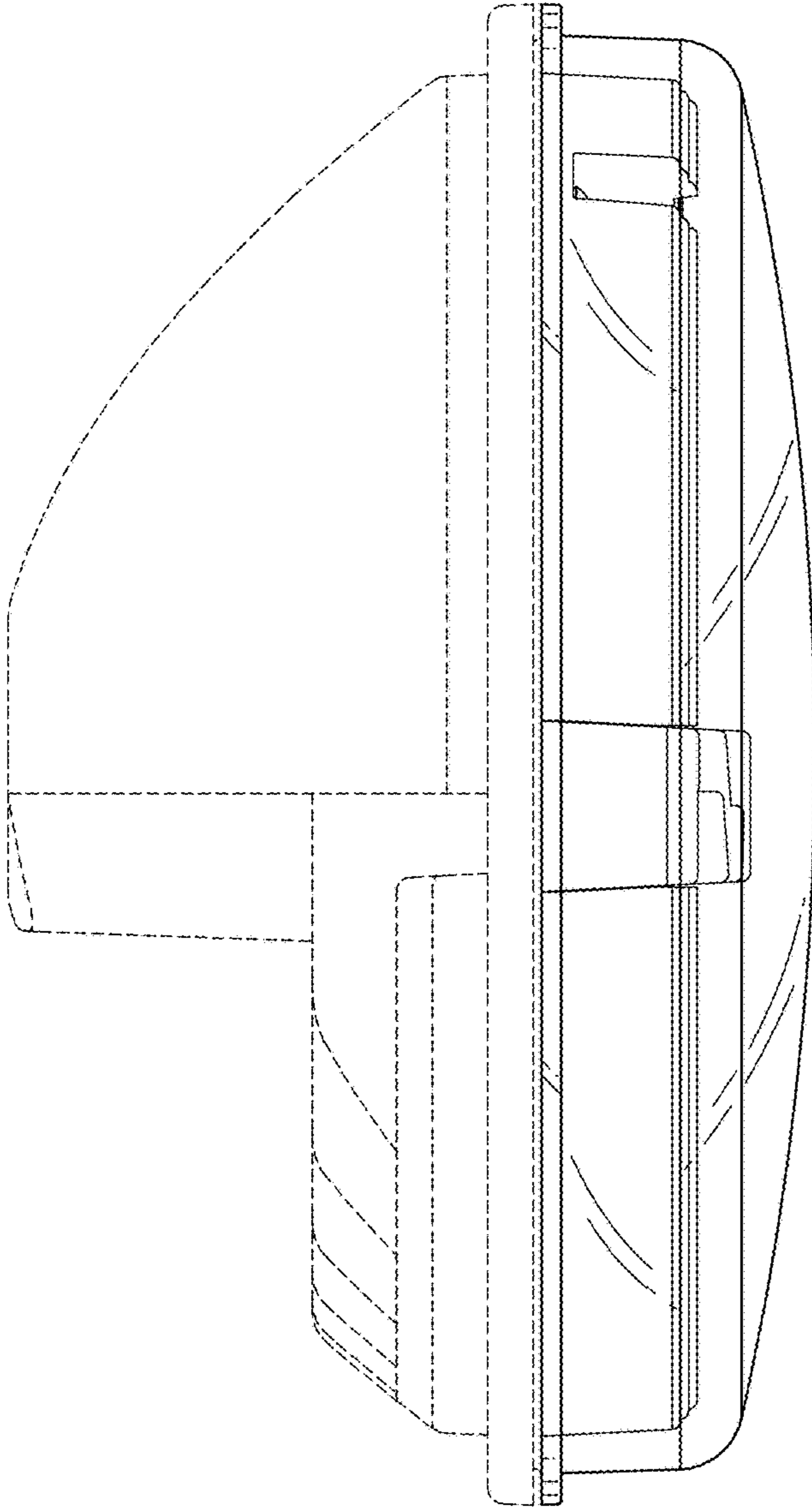


FIG.4

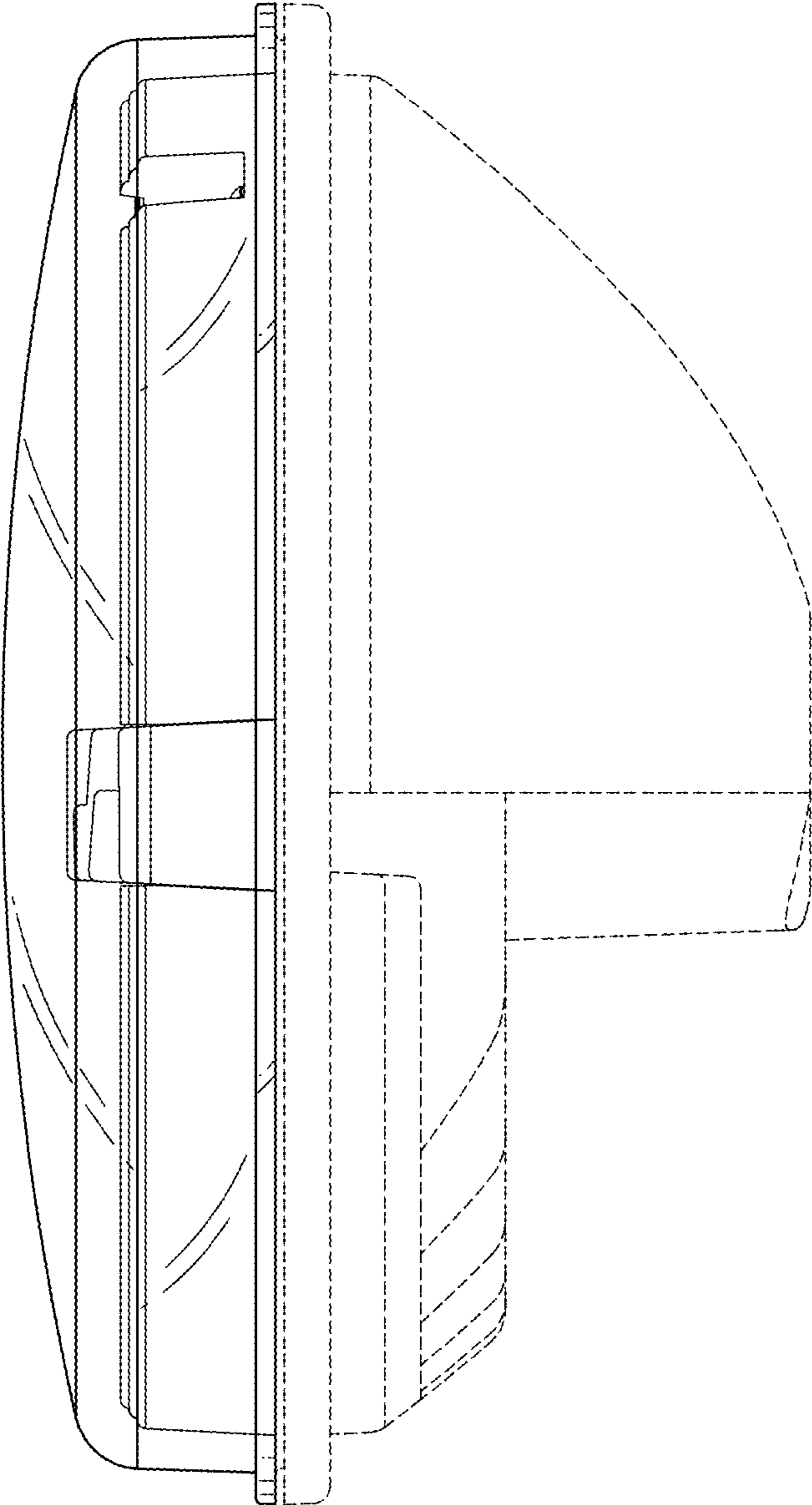


FIG.5

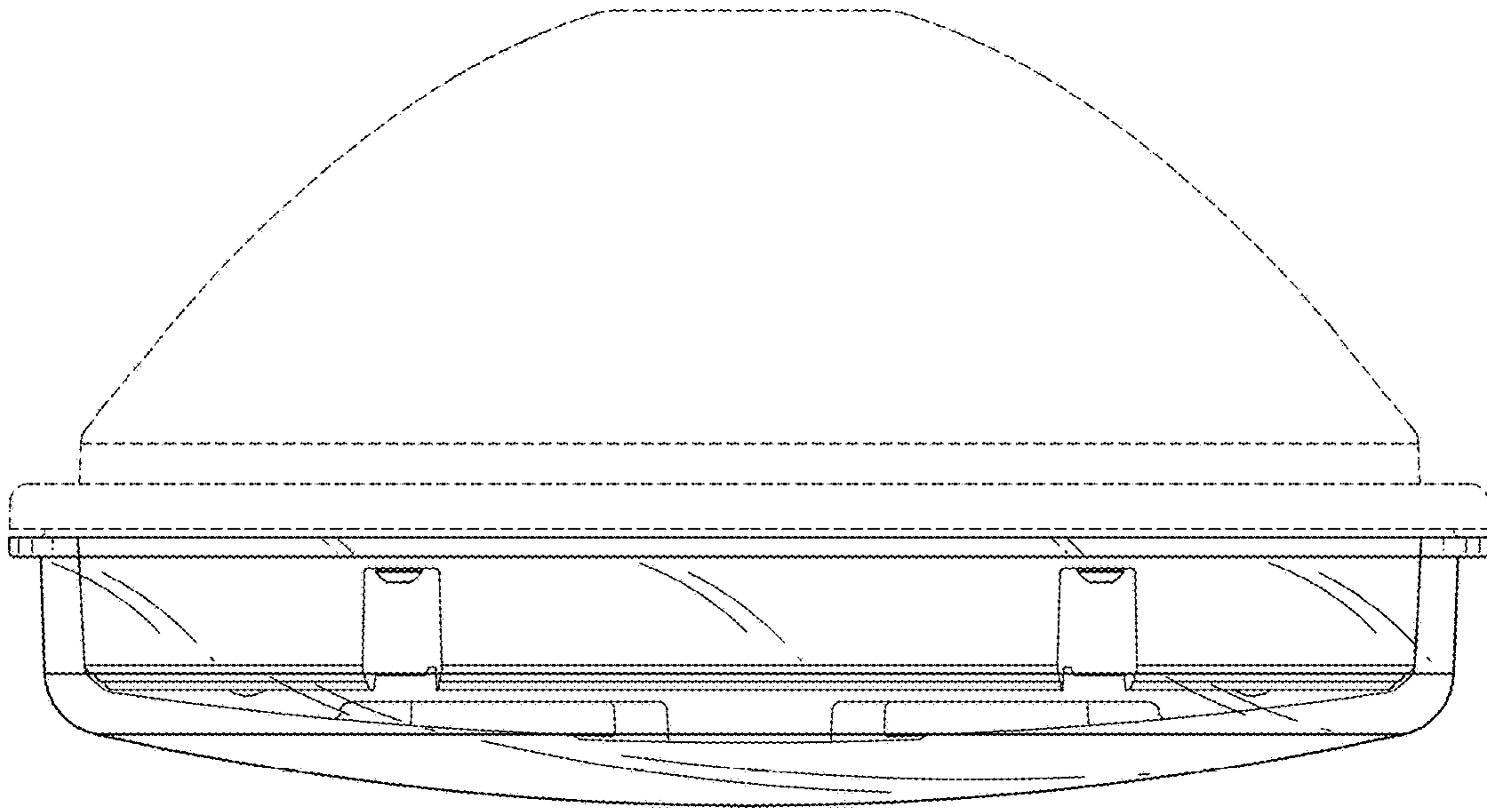


FIG. 6

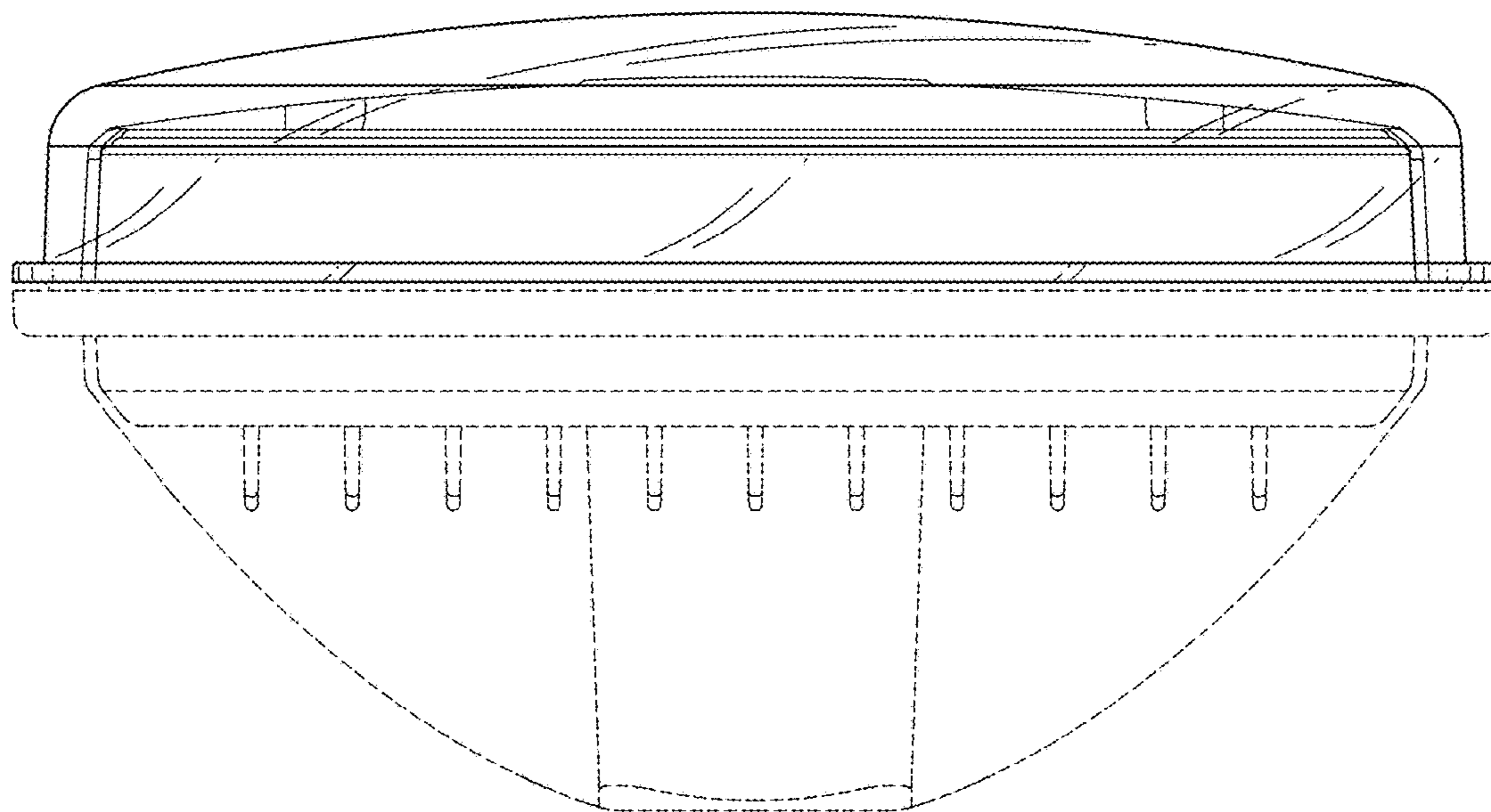


FIG. 7

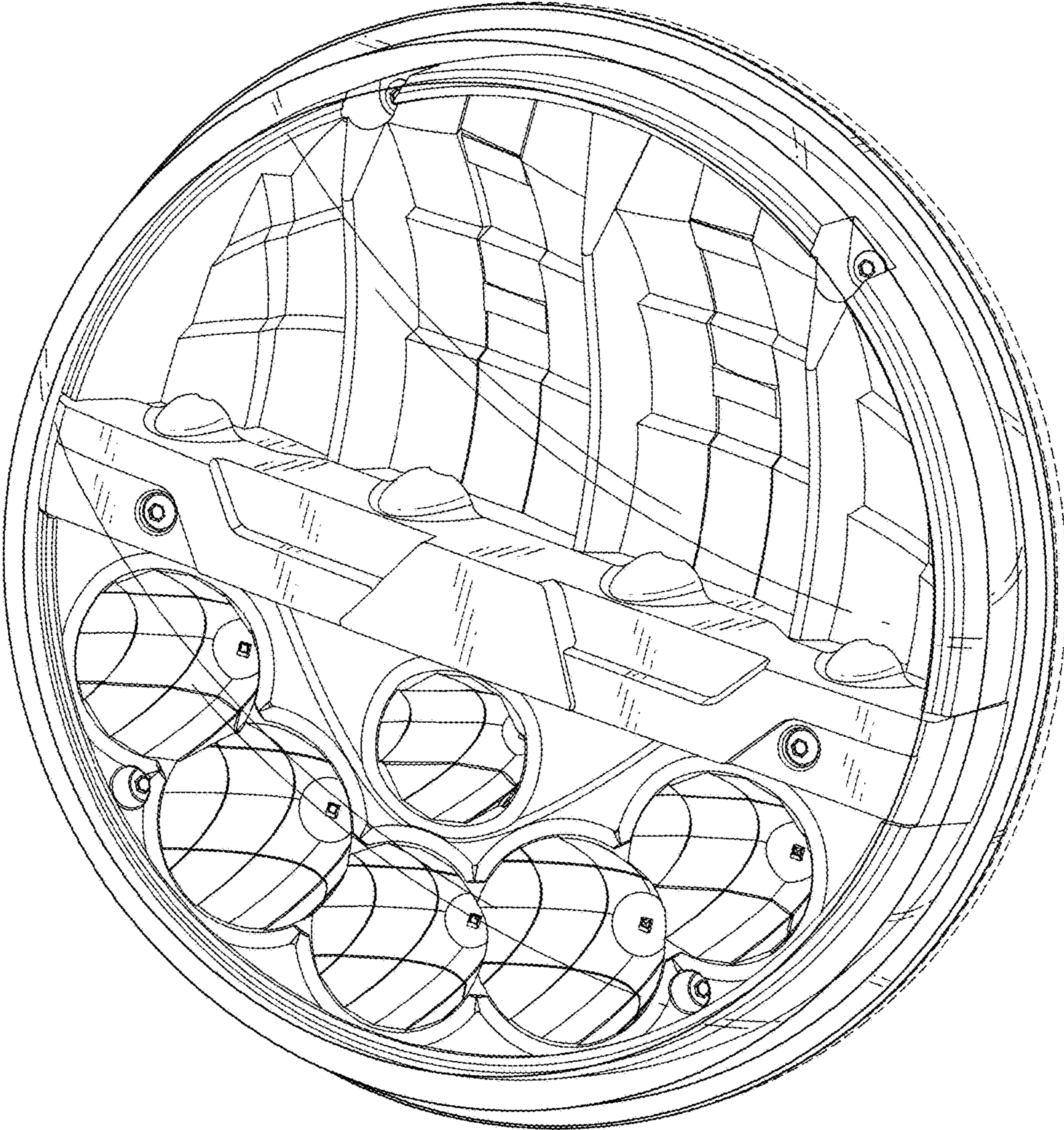


FIG.8