



US00D853603S

(12) **United States Design Patent**
Yao et al.

(10) **Patent No.:** **US D853,603 S**
(45) **Date of Patent:** **** Jul. 9, 2019**

(54) **LAMP**

(71) Applicants: **Zuohong Yao**, Zhejiang (CN); **Lingyun Lu Dongyang**, Zhejiang (CN); **Qiang Ni**, Zhejiang (CN); **Houcai Liao**, Zhejiang (CN)

(72) Inventors: **Zuohong Yao**, Zhejiang (CN); **Lingyun Lu Dongyang**, Zhejiang (CN); **Qiang Ni**, Zhejiang (CN); **Houcai Liao**, Zhejiang (CN)

(73) Assignee: **HENGDIAN GROUP TOSPO LIGHTING CO., LTD.** (CN)

(**) Term: **15 Years**

(21) Appl. No.: **29/627,566**

(22) Filed: **Nov. 28, 2017**

Related U.S. Application Data

(62) Division of application No. 29/519,389, filed on Mar. 4, 2015, now Pat. No. Des. 831,862.

(51) **LOC (11) Cl.** **26-02**

(52) **U.S. Cl.**
USPC **D26/2**

(58) **Field of Classification Search**
USPC D26/1-4; 313/313, 315, 316, 317, 318, 313/493, 636; 315/52, 53, 56, 57, 58; 362/294, 373, 327; D13/179
CPC F21K 9/00; F21K 9/13
See application file for complete search history.

(56) **References Cited**

U.S. PATENT DOCUMENTS

D610,271 S 2/2010 Bi
D675,351 S 1/2013 Lin et al.
D691,745 S 10/2013 Wang et al.

D695,431 S 12/2013 Lay
D699,869 S * 2/2014 Zolotykh D26/2
D699,870 S * 2/2014 Zolotykh D26/2
D699,871 S * 2/2014 Zolotykh D26/2
D720,478 S 12/2014 Zeng et al.
D733,339 S 6/2015 Yu
D735,375 S 7/2015 Wang et al.
D814,071 S * 3/2018 Lin D26/2

FOREIGN PATENT DOCUMENTS

CN 101520168 A 9/2009
CN 201983034 U 9/2011
CN 202203731 U 4/2012
CN 202252995 U 5/2012
CN 103032708 A 4/2013
CN 202915086 U 5/2013
CN 103453336 A 12/2013
EP 2390553 A2 11/2011

(Continued)

Primary Examiner — Janice Hallmark

Assistant Examiner — Harold E Blackwell, II

(74) *Attorney, Agent, or Firm* — St. Onge Steward Johnston & Reens, LLC

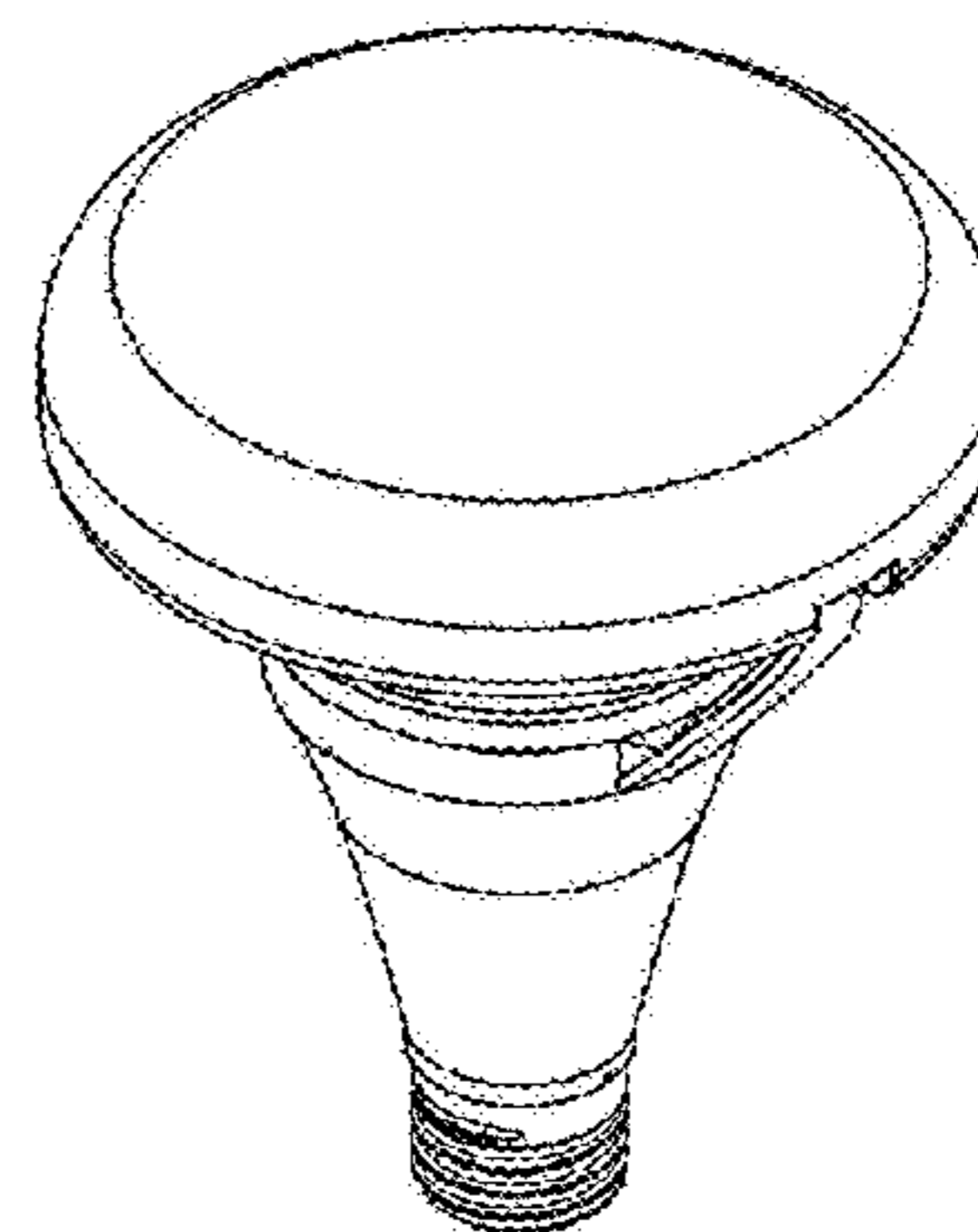
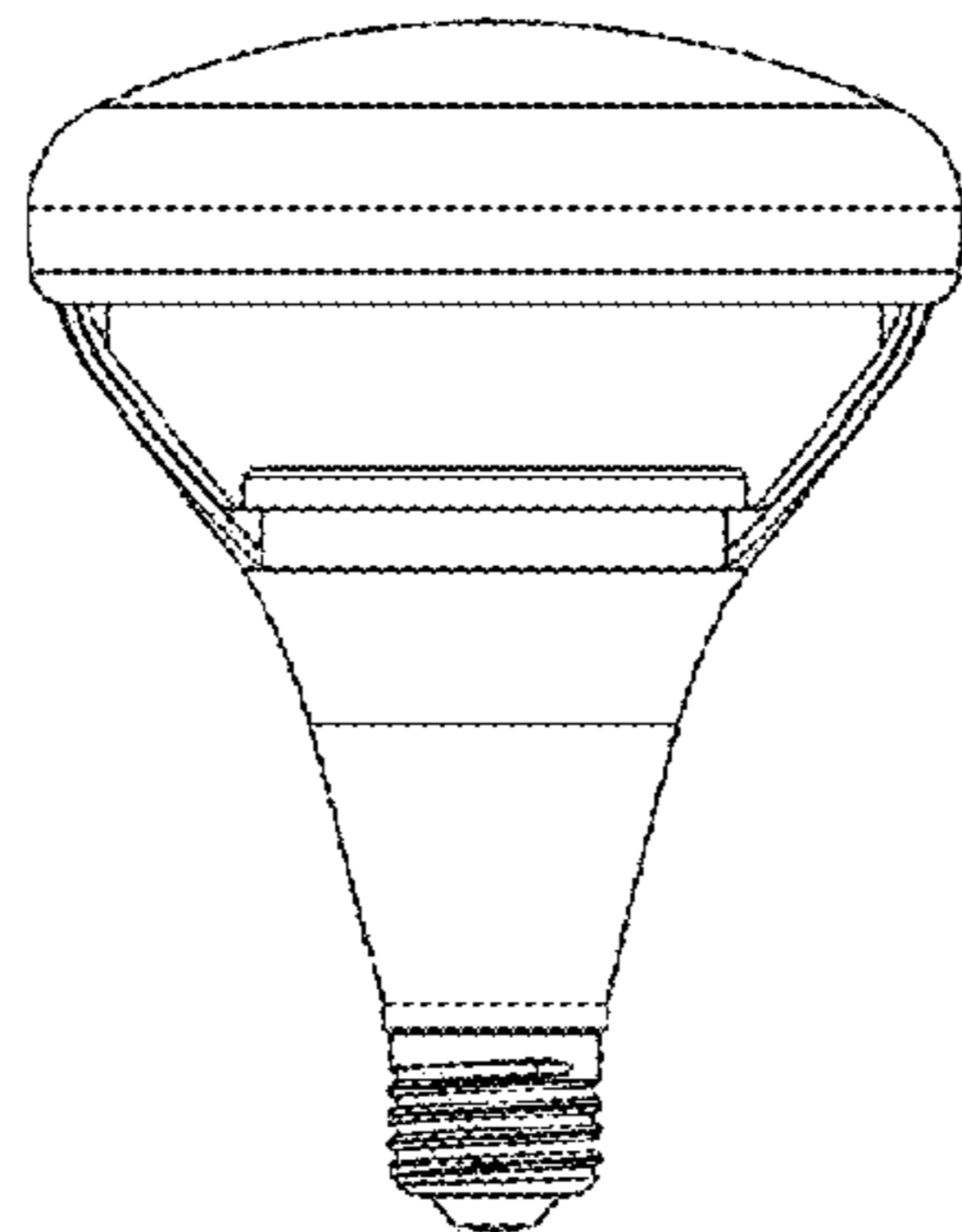
(57) **CLAIM**

The ornamental design for a lamp, as shown and described.

DESCRIPTION

FIG. 1 is a front elevational view of the lamp in accordance with the new design;
FIG. 2 is a rear elevational view thereof;
FIG. 3 is a left side elevational view thereof;
FIG. 4 is a right side elevational view thereof;
FIG. 5 is a top plan view thereof;
FIG. 6 is a bottom plan view thereof; and,
FIG. 7 is a front left side perspective view thereof.
The broken lines shown in FIG. 6, illustrate portions which form no part of the claimed design.

1 Claim, 3 Drawing Sheets



(56)

References Cited

FOREIGN PATENT DOCUMENTS

JP	2013048106 A	3/2013
JP	2013098100 A	5/2013
WO	9957945 A1	11/1999
WO	2014120945 A1	8/2014

* cited by examiner

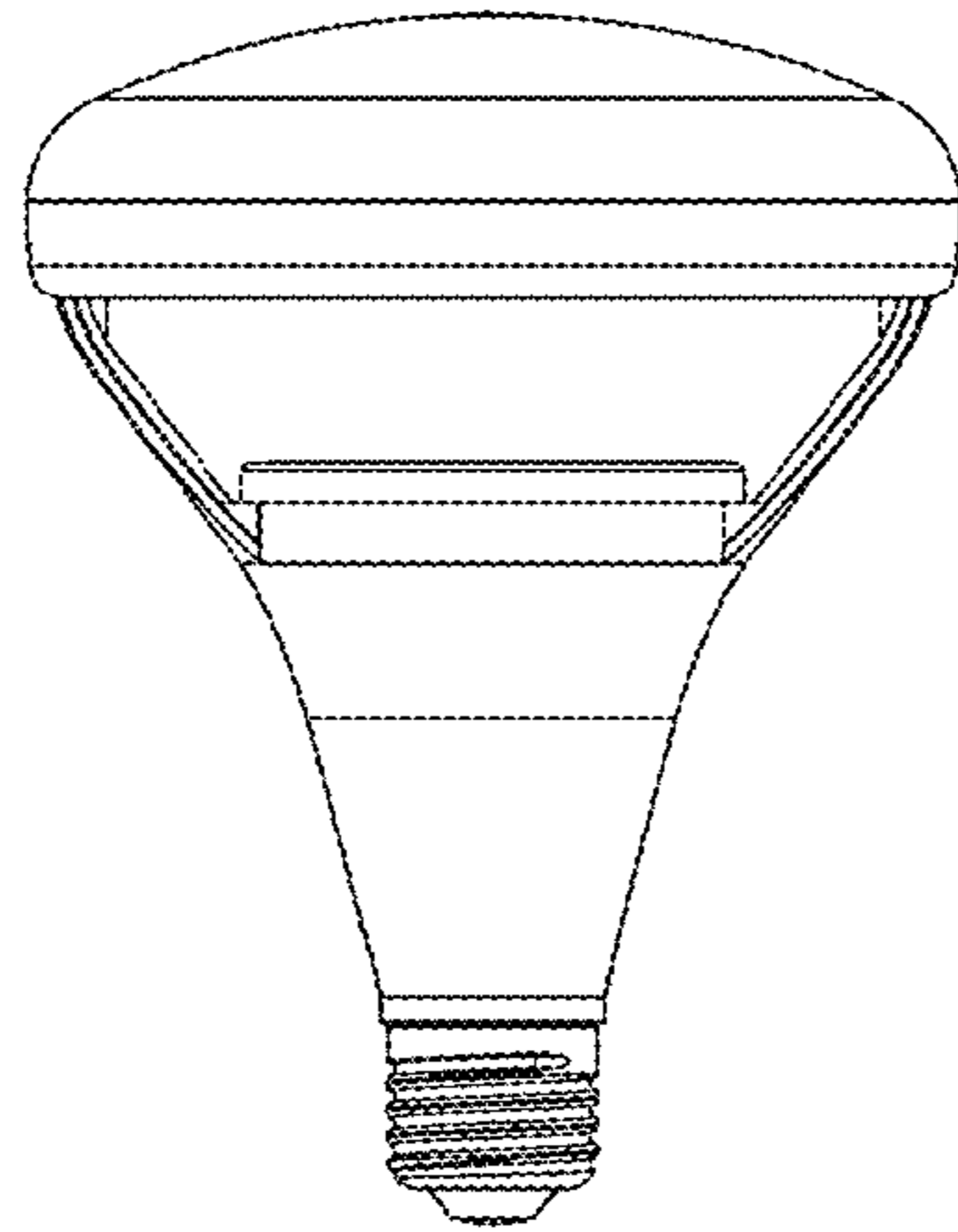


FIG. 1

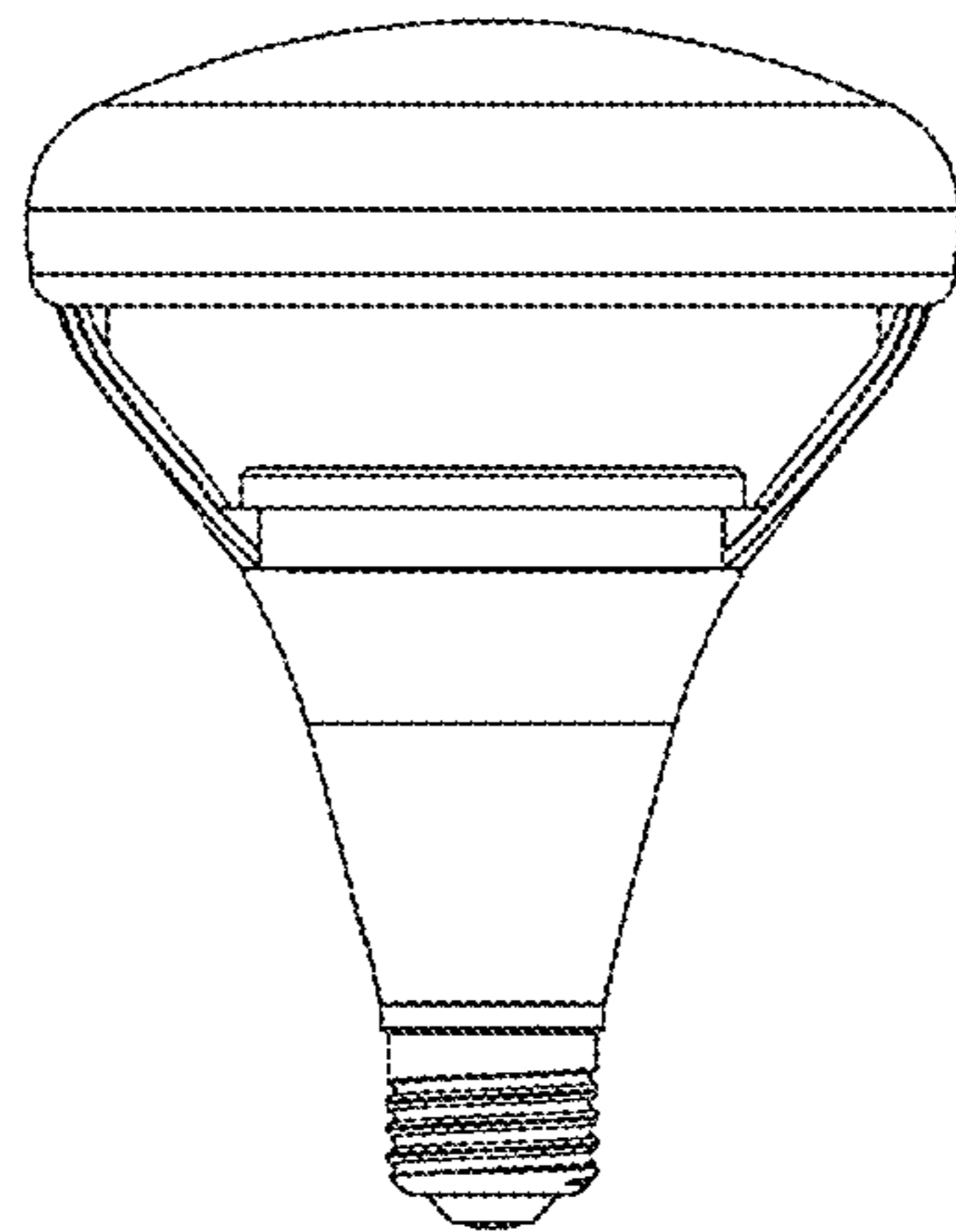


FIG. 2

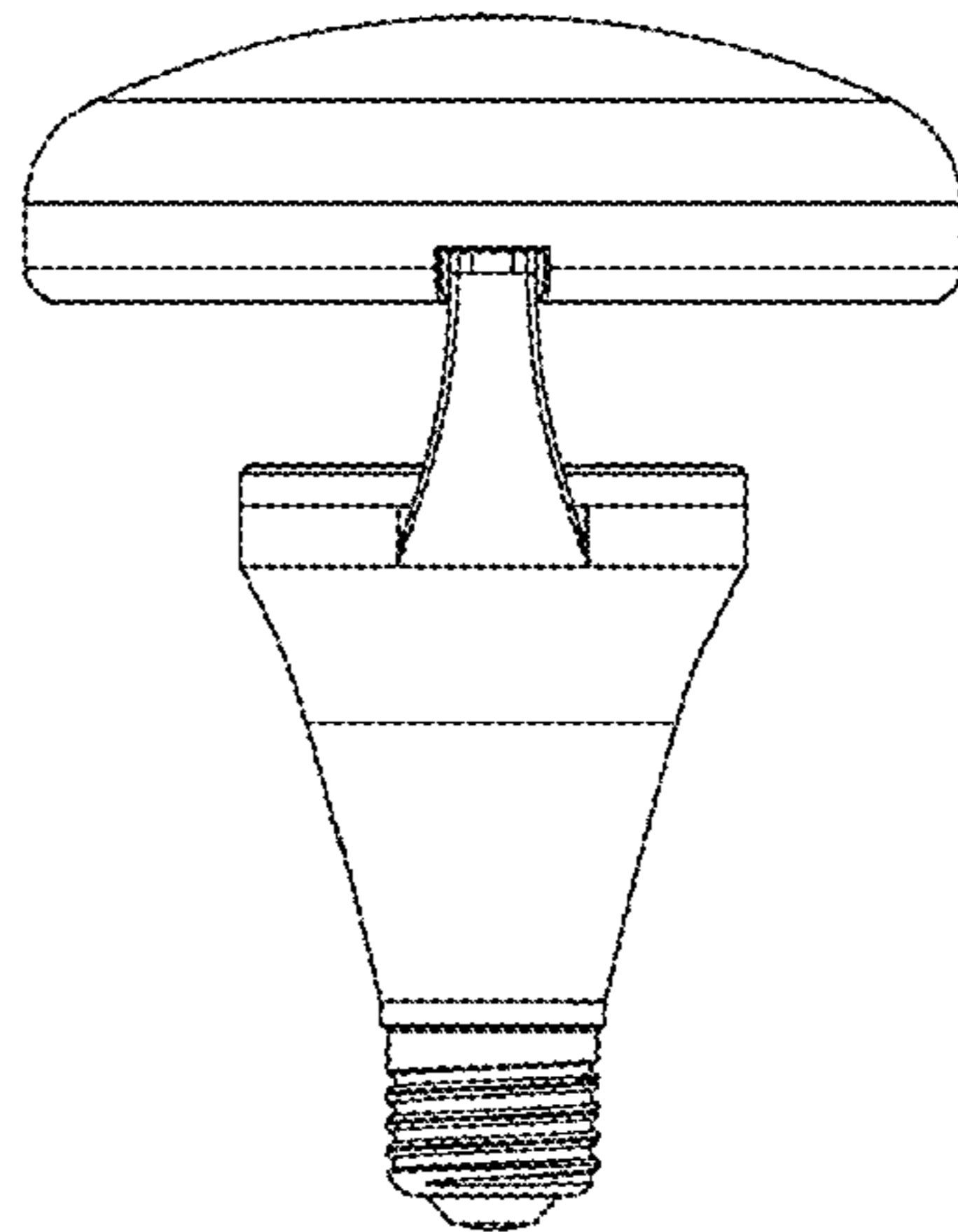


FIG. 3

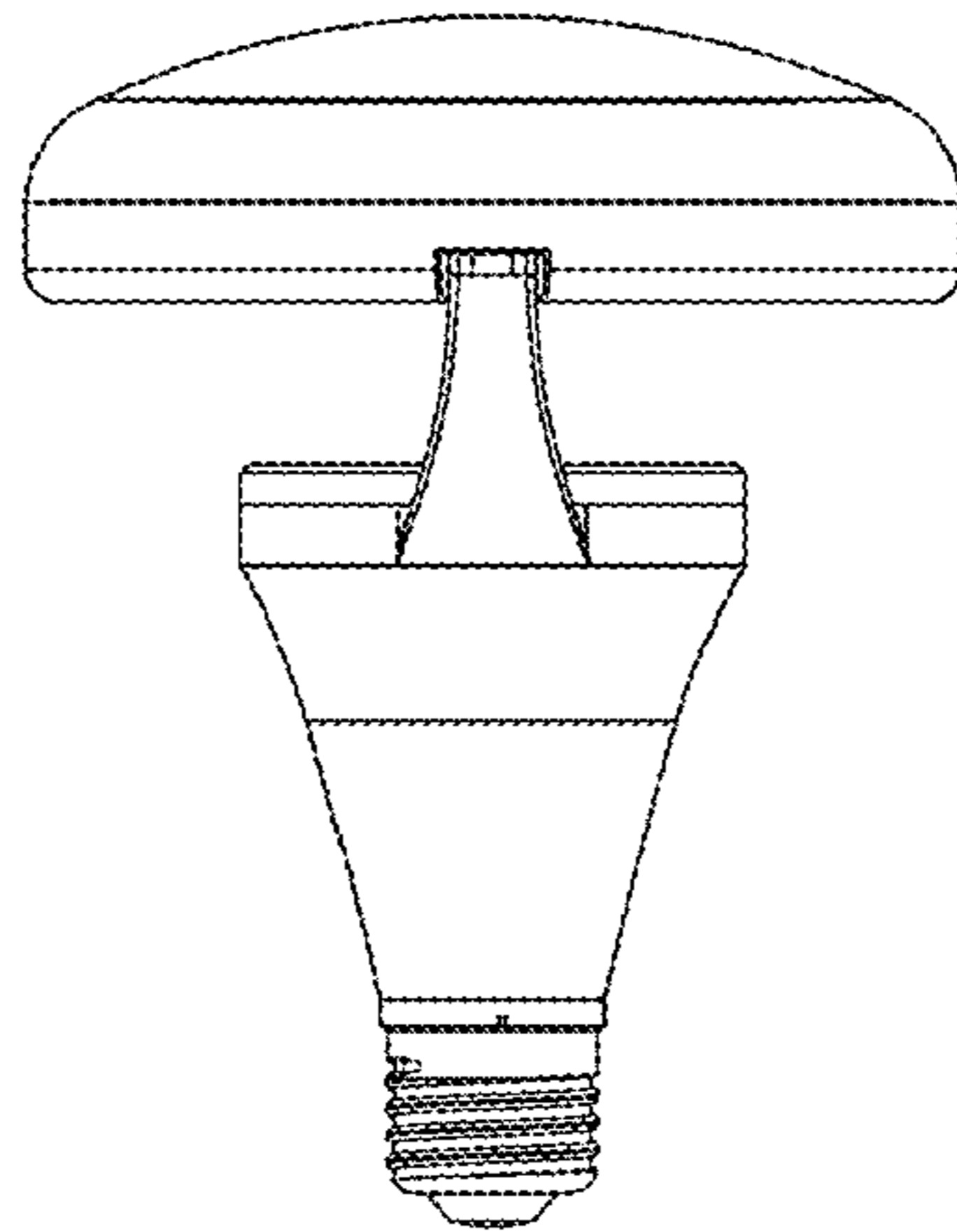


FIG. 4

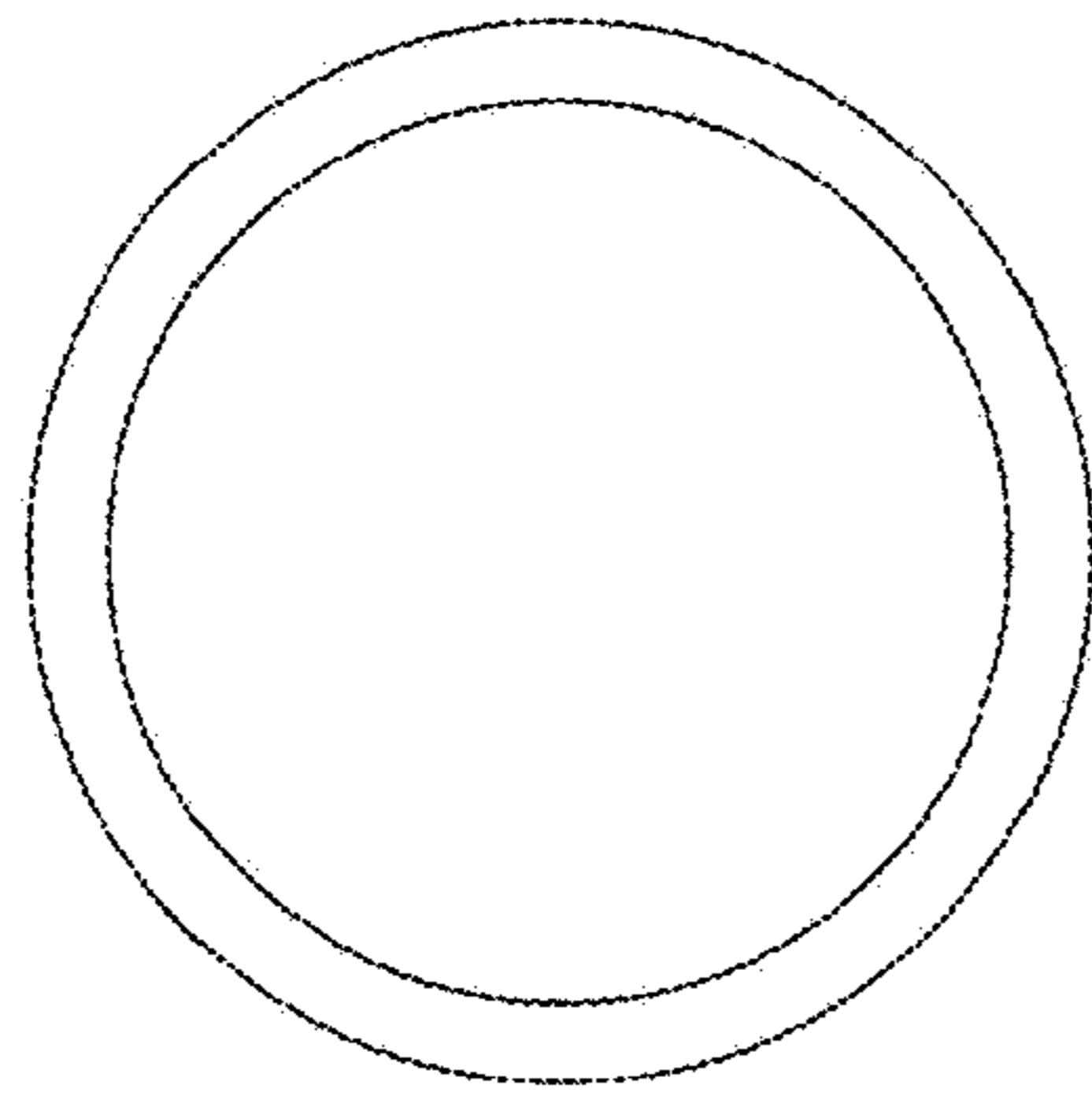


FIG. 5

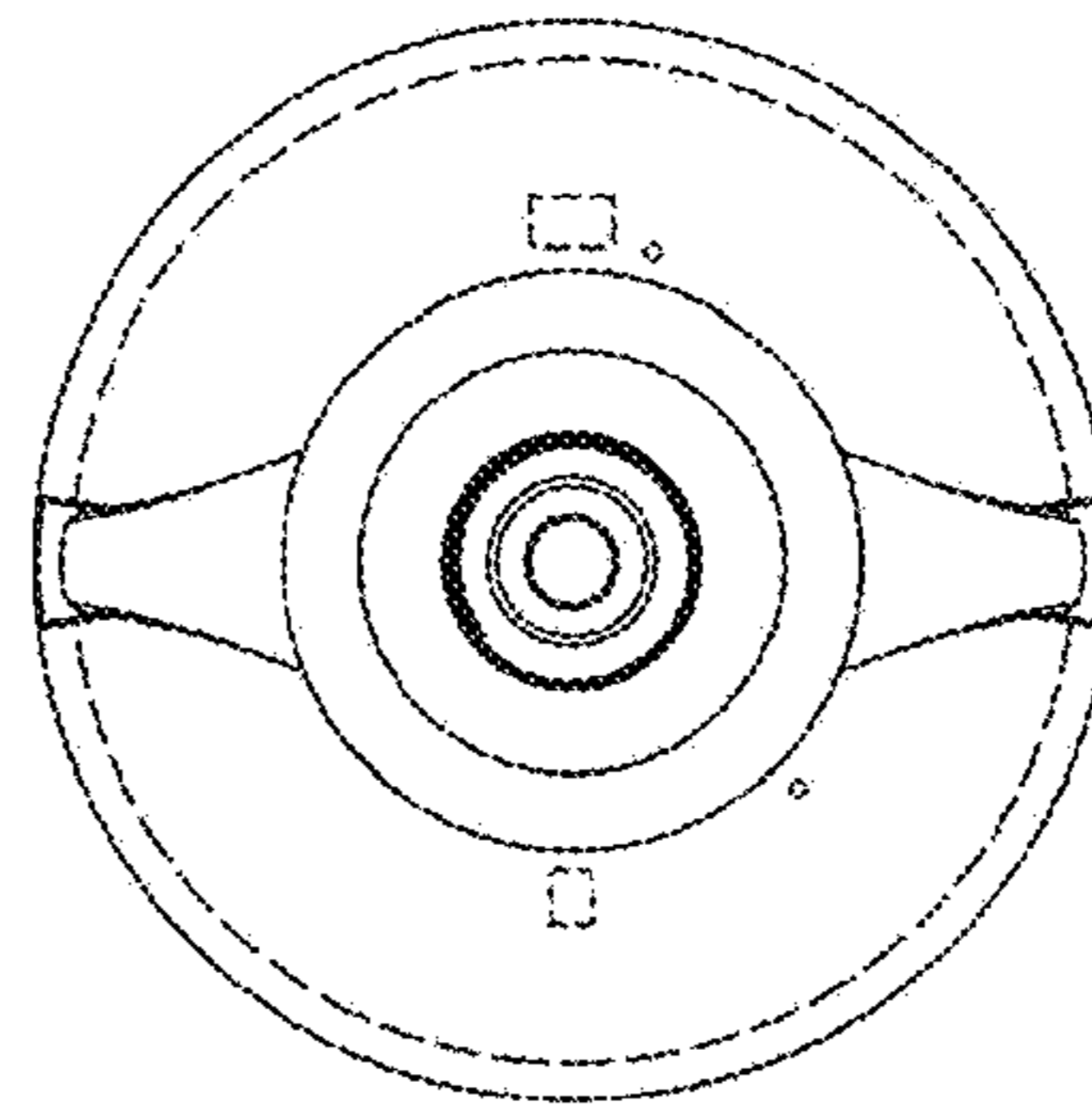


FIG. 6

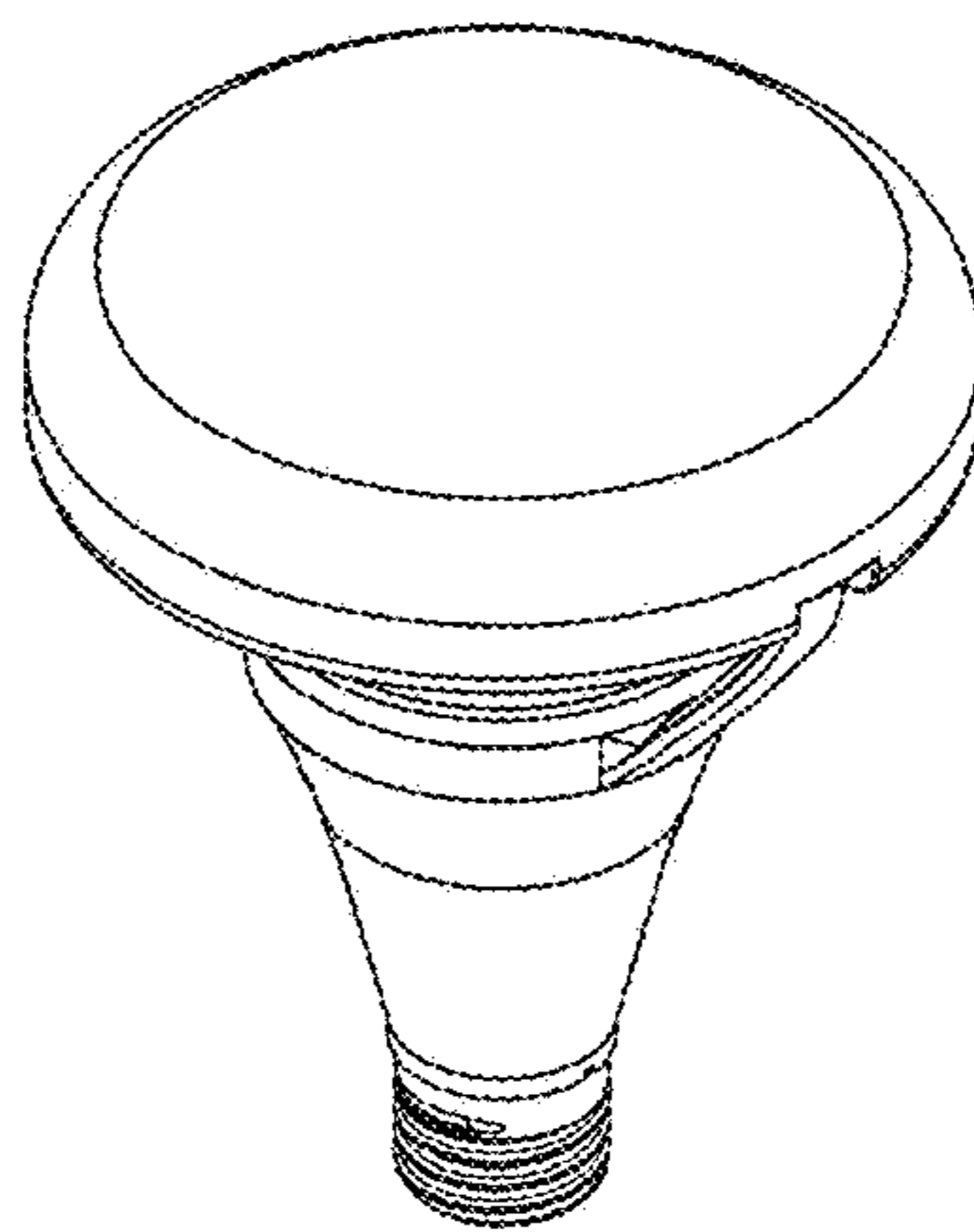


FIG. 7

UNITED STATES PATENT AND TRADEMARK OFFICE
CERTIFICATE OF CORRECTION

PATENT NO. : D853,603 S
APPLICATION NO. : 29/627566
DATED : July 9, 2019
INVENTOR(S) : Zuohong Yao et al.

Page 1 of 1

It is certified that error appears in the above-identified patent and that said Letters Patent is hereby corrected as shown below:

On the Title Page

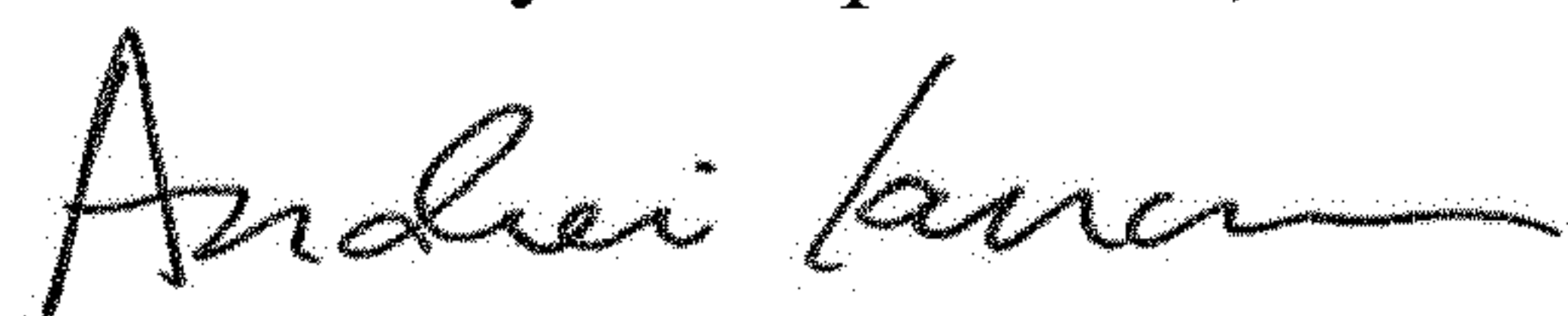
Item (71), Applicant(s):

“Lingyun Lu Dongyang” should be changed to -- Lingyun Lu --

Item (72), Inventor(s):

“Lingyun Lu Dongyang” should be changed to -- Lingyun Lu --

Signed and Sealed this
Third Day of September, 2019



Andrei Iancu
Director of the United States Patent and Trademark Office