



US00D853588S

(12) **United States Design Patent** (10) **Patent No.:** **US D853,588 S**
Jackson et al. (45) **Date of Patent:** **** Jul. 9, 2019**

(54) **CHANNEL TRIM** D270,479 S 9/1983 Braswell
4,825,612 A * 5/1989 Tupman E04F 19/062
(71) Applicant: **R. H. Tamlyn & Sons, LP**, Stafford, TX (US) 52/288.1
D318,177 S * 7/1991 Winter D25/119
5,090,174 A 2/1992 Fragale
(72) Inventors: **Terrance Jackson**, Missouri City, TX (US); **Wayne Harold Braun**, Houston, TX (US) D360,038 S 7/1995 Bancroft
D363,132 S 10/1995 Simon
5,537,791 A 7/1996 Champagne
(Continued)

(73) Assignee: **R. H. Tamlyn & Sons, LP**, Stafford, TX (US)
(**) Term: **15 Years**

(21) Appl. No.: **29/667,015**
(22) Filed: **Oct. 17, 2018**

Related U.S. Application Data

(63) Continuation of application No. 29/583,887, filed on Nov. 9, 2016, now Pat. No. Des. 835,299.
(51) **LOC (11) Cl.** **25-01**
(52) **U.S. Cl.**
USPC **D25/119**
(58) **Field of Classification Search**
USPC D25/61, 119-126, 164, 199
CPC E04F 19/02; E04F 19/022; E04F 19/06;
E04F 19/061; E04F 19/062; E04F 19/063;
E04F 19/064; E04F 13/21; E04F 13/22;
E04F 13/24; E04F 13/25; E04F 13/26;
E04F 13/28
See application file for complete search history.

(56) **References Cited**

U.S. PATENT DOCUMENTS

D194,585 S 2/1963 Waring et al.
D194,586 S 2/1963 Waring et al.
3,078,971 A 2/1963 Wallerstein, Jr.
3,228,160 A 1/1966 Glennon
D217,713 S 6/1970 Miller et al.

OTHER PUBLICATIONS

“U.S. Appl. No. 29/583,887, Ex Parte Quayle Action dated Nov. 30, 2017”, 7 pgs.

(Continued)

Primary Examiner — Cynthia Ramirez
Assistant Examiner — L. Martinez
(74) *Attorney, Agent, or Firm* — Schwegman Lundberg & Woessner, P.A.

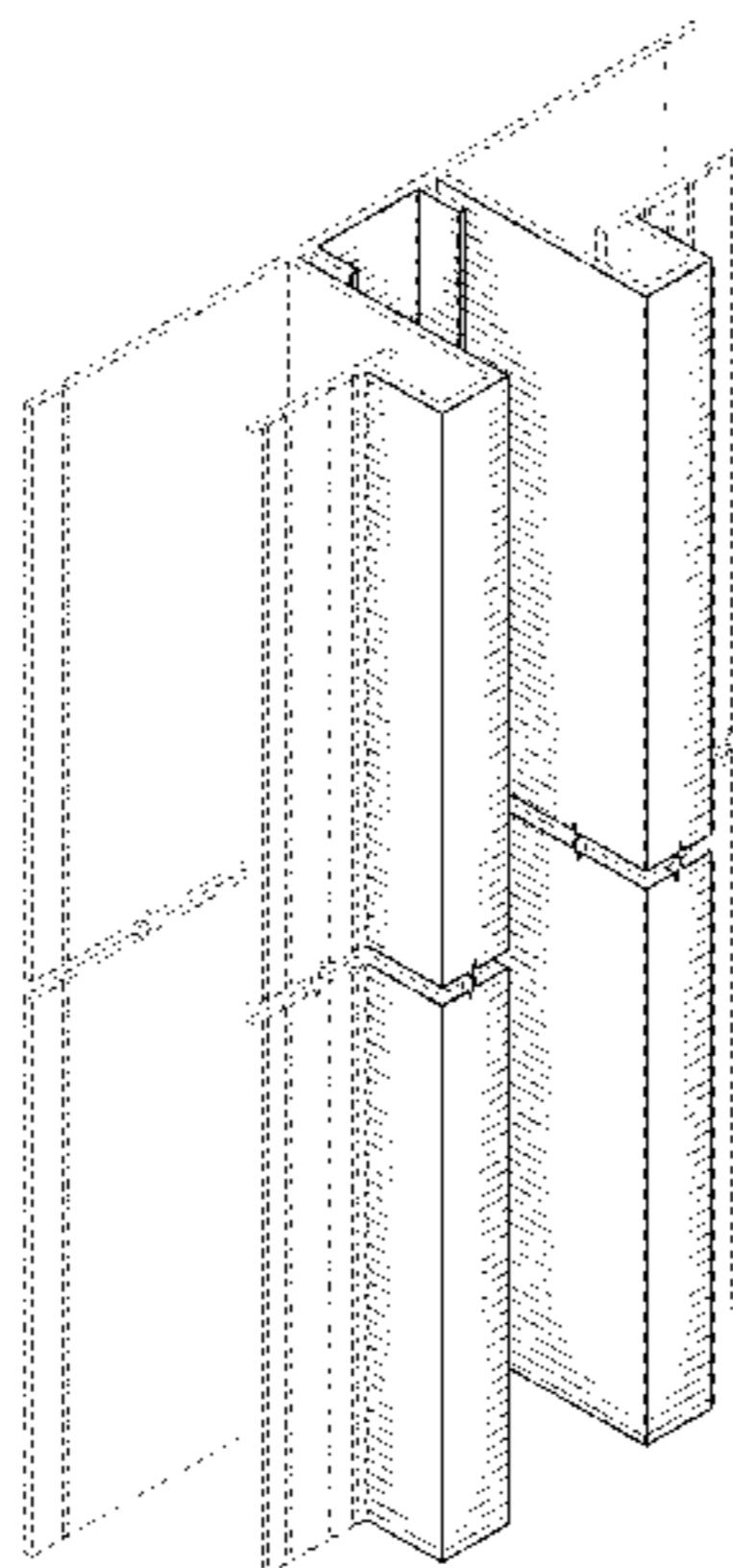
(57) **CLAIM**

The ornamental design for a channel trim, as shown and described.

DESCRIPTION

FIG. 1 is a first perspective view of the channel trim, showing the new design.
FIG. 2 is a front view of the channel trim of FIG. 1.
FIG. 3 is a back view of the channel trim of FIG. 1.
FIG. 4 is a first side view of the channel trim of FIG. 1.
FIG. 5 is a second side view of the channel trim of FIG. 1.
FIG. 6 is a top view of the channel trim of FIG. 1; and,
FIG. 7 is a bottom view of the channel trim of FIG. 1.
The channel trim is shown with symbolic breaks in its length. The appearance of any portion of the channel trim between the break lines forms no part of the claimed design. The broken lines in the drawings depict portions of the channel trim that form no part of the claimed design.

1 Claim, 5 Drawing Sheets



(56)

References Cited

U.S. PATENT DOCUMENTS

5,711,117 A 1/1998 Zaccagni et al.
 5,829,206 A 11/1998 Bachman
 5,937,600 A * 8/1999 Larson E04F 19/02
 52/302.6
 D427,327 S 6/2000 Bevan et al.
 D427,694 S 7/2000 Bevan
 6,189,273 B1 * 2/2001 Larson E04F 19/022
 52/255
 6,256,953 B1 * 7/2001 Vulin E04F 19/064
 52/281
 D452,335 S 12/2001 Brown
 D452,744 S 1/2002 Brown
 D460,197 S 7/2002 Stringer
 6,470,638 B1 * 10/2002 Larson E04F 19/02
 52/254
 D486,247 S 2/2004 Eichner et al.
 D486,921 S 2/2004 Zybert
 7,200,970 B2 4/2007 Koenig, Jr. et al.
 D573,267 S 7/2008 Brinton et al.
 D573,268 S 7/2008 Lundsgaard et al.
 D583,965 S * 12/2008 Castellanos D25/121
 D616,566 S 5/2010 Desrosiers
 D620,622 S 7/2010 Steel et al.
 D624,212 S 9/2010 Sawyer
 8,104,234 B1 1/2012 Sawyer
 D653,771 S 2/2012 Olmsted et al.
 D656,603 S 3/2012 Egan et al.
 D662,405 S 6/2012 Zhang et al.
 D679,419 S 4/2013 Gori et al.
 D679,420 S 4/2013 Nolan et al.
 D689,199 S 9/2013 Elizarraras et al.
 D742,540 S * 11/2015 Singh D25/119
 D742,543 S * 11/2015 Singh D25/119
 D742,548 S * 11/2015 Singh D25/119
 D745,189 S 12/2015 Stoesser et al.
 9,359,770 B1 * 6/2016 Bilge E04F 13/24
 D774,874 S 12/2016 Wentzel et al.
 D790,733 S * 6/2017 Singh D25/119
 D791,354 S * 7/2017 Singh D25/119
 D792,017 S * 7/2017 Klus D26/138
 D797,956 S 9/2017 Shaw

D817,520 S * 5/2018 Gonzales D25/126
 D821,611 S * 6/2018 Singh D25/119
 D822,852 S * 7/2018 Jackson D25/119
 D833,650 S * 11/2018 Singh D25/119
 D834,727 S * 11/2018 Jackson D25/119
 D834,728 S * 11/2018 Jackson D25/119
 D835,299 S * 12/2018 Jackson D25/119
 D835,300 S * 12/2018 Barrios D25/119
 2002/0116890 A1 * 8/2002 Moore, Jr. E04B 2/8635
 52/578
 2003/0182889 A1 * 10/2003 Takagi E04F 19/02
 52/579
 2012/0167505 A1 * 7/2012 Krause E04F 13/22
 52/302.1
 2013/0186027 A1 * 7/2013 Sharpe E04F 19/062
 52/506.05
 2013/0205696 A1 8/2013 Little et al.
 2015/0027074 A1 * 1/2015 Preston E04F 19/062
 52/302.1
 2015/0052840 A1 * 2/2015 Beaty E04F 13/24
 52/483.1
 2017/0306618 A1 10/2017 Braun

OTHER PUBLICATIONS

“U.S. Appl. No. 29/583,887, Notice of Allowance dated Jul. 10, 2018”, 5 pgs.
 “U.S. Appl. No. 29/583,887, Response filed Mar. 16, 2018 to Ex Parte Quayle Action dated Nov. 30, 2017”, 5 pgs.
 “U.S. Appl. No. 29/583,887, Response filed Oct. 31, 2017 to Restriction Requirement dated Aug. 31, 2017”, 3 pgs.
 “U.S. Appl. No. 29/583,887, Restriction Requirement dated Aug. 31, 2017”, 5 pgs.
 “Canadian Application Serial No. 174,728, Office Action dated Mar. 9, 2018”, 1 pg.
 “Canadian Application Serial No. 174,728, Office Action dated Nov. 9, 2017”, 3 pgs.
 “Canadian Application Serial No. 174,728, Response filed Feb. 9, 2018 to Office Action dated Nov. 9, 2017”, 10 pgs.
 “Canadian Application Serial No. 174,728, Response filed Jun. 11, 2018 to Office Action dated Mar. 9, 2018”, 6 pgs.

* cited by examiner

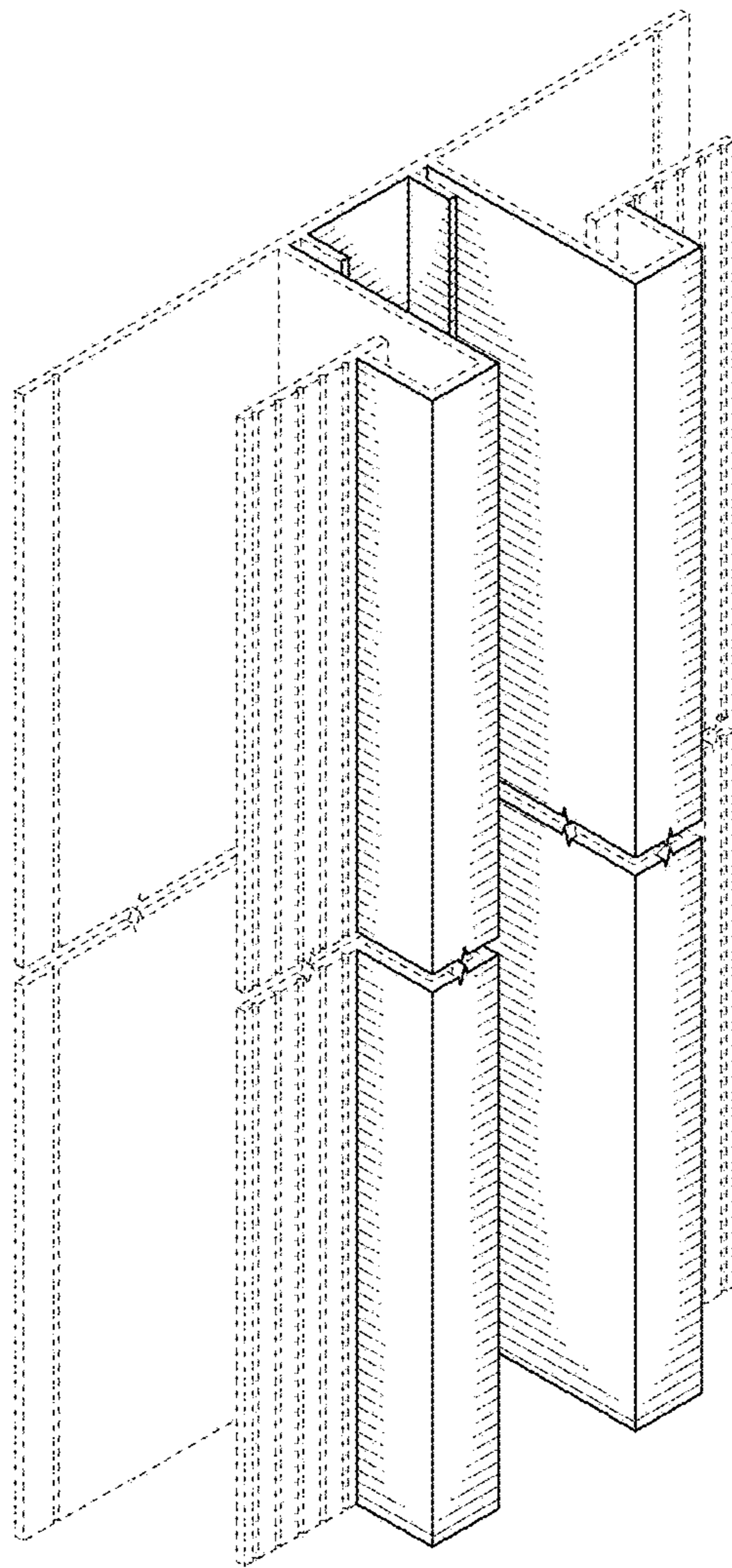


FIG. 1

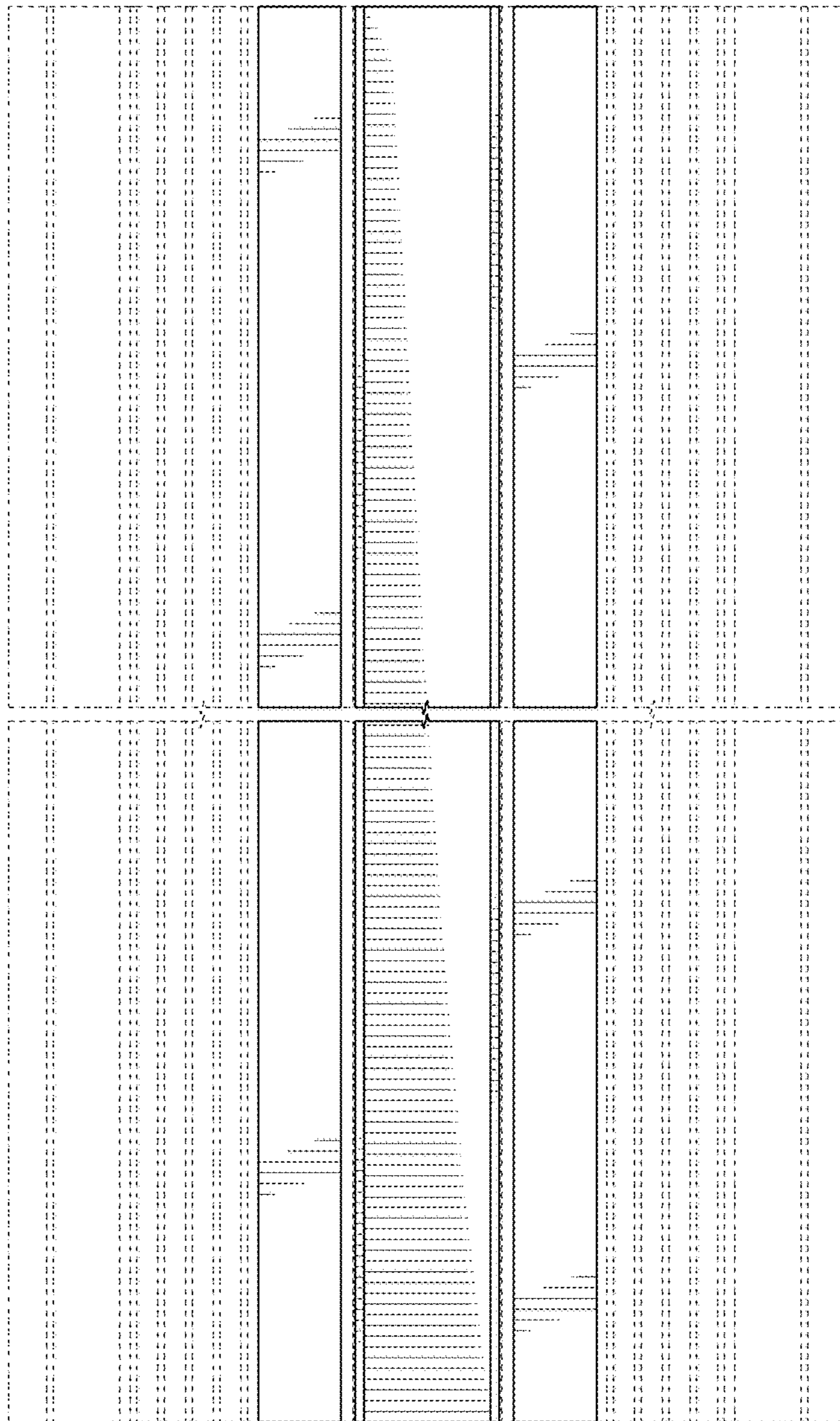


FIG. 2

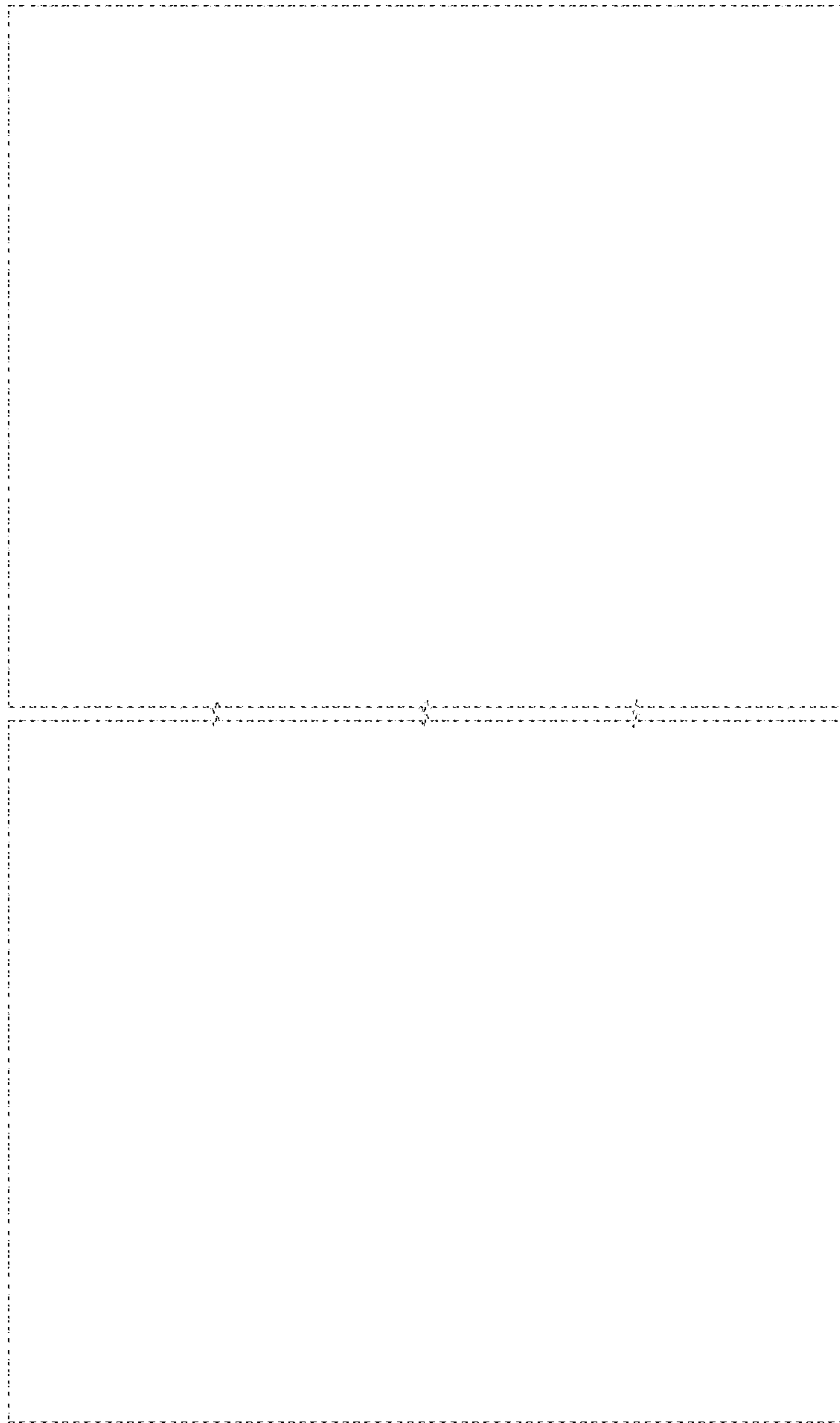


FIG. 3

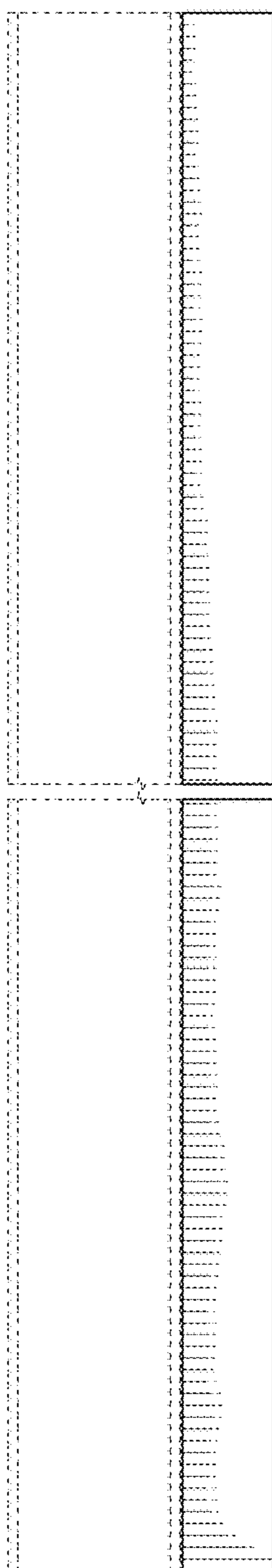


FIG. 4

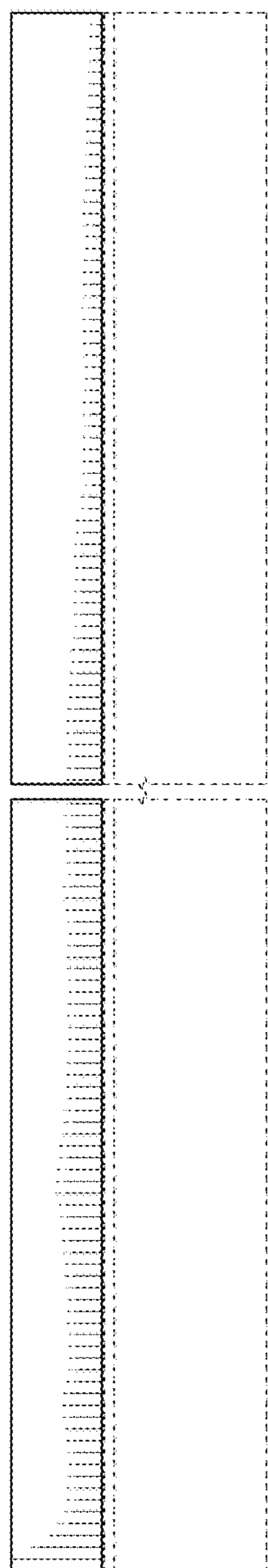


FIG. 5

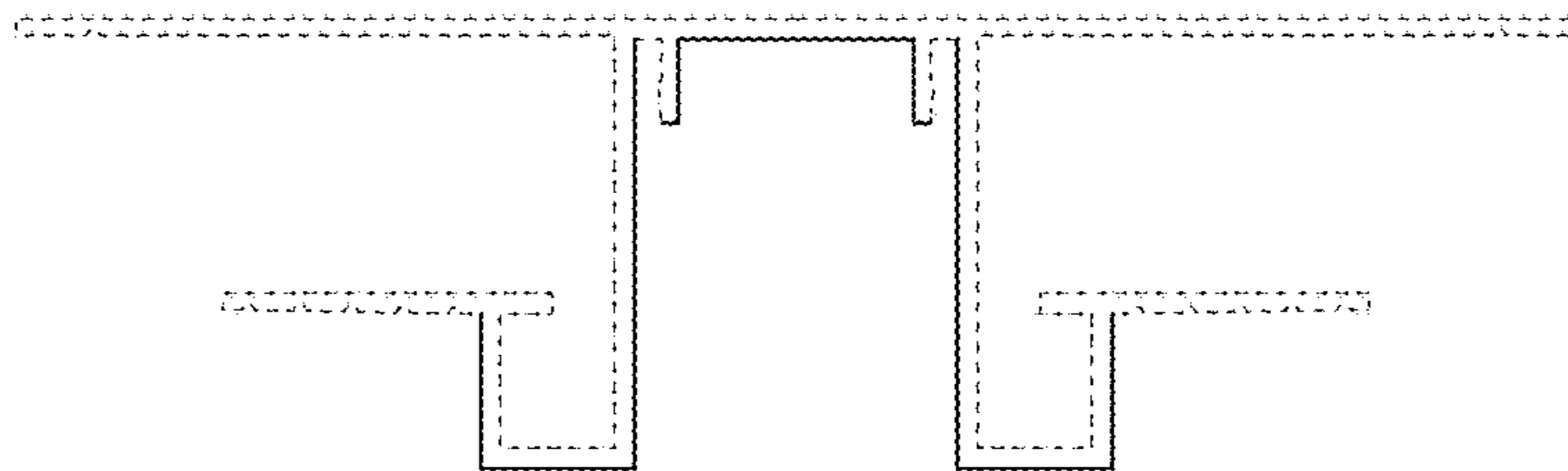


FIG. 6

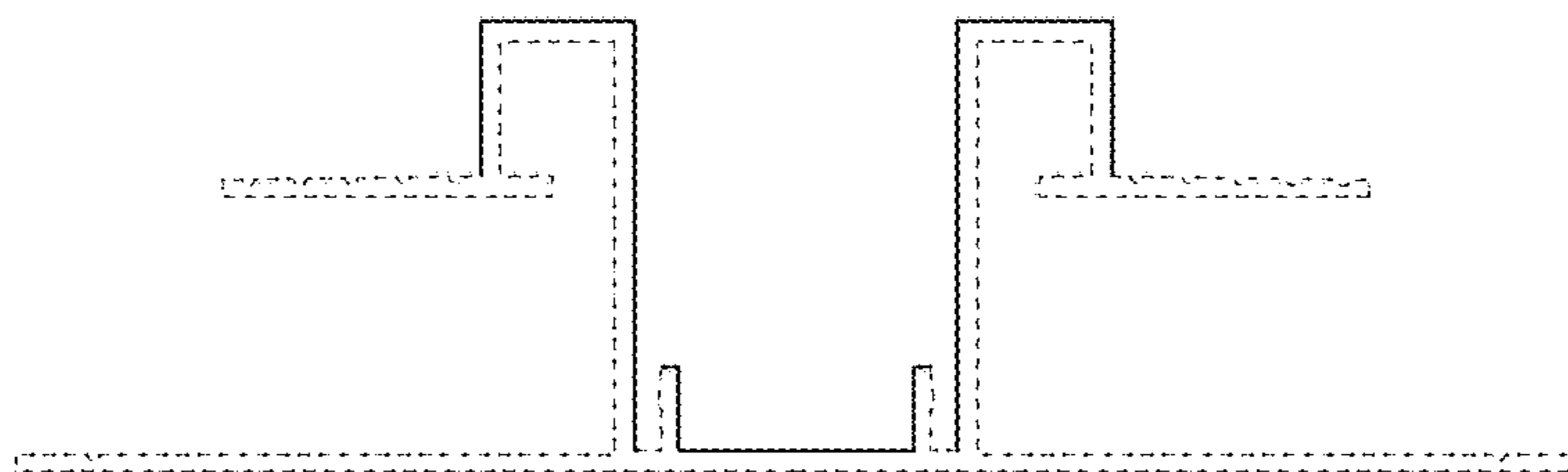


FIG. 7