



US00D853582S

(12) **United States Design Patent**  
**Chase et al.**

(10) **Patent No.:** **US D853,582 S**

(45) **Date of Patent:** **\*\* Jul. 9, 2019**

(54) **SURGICAL NEEDLE COUNTER**

7,070,051 B2 \* 7/2006 Kanner ..... A61B 17/06133  
206/382

(71) Applicant: **NewGen Surgical, Inc.**, San Rafael,  
CA (US)

D539,539 S \* 4/2007 Braden ..... D14/203.7  
D574,505 S \* 8/2008 Muller-Cohn ..... D24/216

(Continued)

(72) Inventors: **Robert N. Chase**, San Rafael, CA  
(US); **Kenneth M. Blier**, Cheshire, CT  
(US); **Peter Szyperski**, San Rafael, CA  
(US)

**OTHER PUBLICATIONS**

Needle Counters Key Surgical. [online] Published Nov. 21, 2017.  
Retrieved Feb. 4, 2019 from URL: [https://www.keysurgical.com/  
products/or-products/needle-counters.\\*](https://www.keysurgical.com/products/or-products/needle-counters.*)

(Continued)

(73) Assignee: **NEWGEN SURGICAL, INC.**, San  
Rafael, CA (US)

(\*\*) Term: **15 Years**

*Primary Examiner* — Vy N Koenig

(21) Appl. No.: **29/646,573**

(74) *Attorney, Agent, or Firm* — Steven A. Nielsen;  
[www.NielsenPatents.com](http://www.NielsenPatents.com)

(22) Filed: **May 4, 2018**

(57) **CLAIM**

The ornamental design for a surgical needle counter, as  
shown and described.

**Related U.S. Application Data**

(63) Continuation-in-part of application No. 29/611,785,  
filed on Jul. 25, 2017, now abandoned.

**DESCRIPTION**

(51) **LOC (11) Cl.** ..... **24-99**

(52) **U.S. Cl.**  
USPC ..... **D24/231**

(58) **Field of Classification Search**  
USPC ..... D9/414–423, 424–429, 430–432, 433,  
D9/434, 456, 457, 500, 520, 549, 558,  
D9/711, 713, 721–722, 772; D3/290,  
D3/304, 305, 315; D24/216–224, 231  
CPC ... B65D 5/00; B65D 5/02; B65D 5/18; B65D  
5/20

See application file for complete search history.

FIG. 1 is a top and side perspective view of a surgical needle  
counter in a closed position showing a new design;  
FIG. 2 is a left side view thereof;  
FIG. 3 is a right side view thereof;  
FIG. 4 is a front view thereof;  
FIG. 5 is a back view thereof;  
FIG. 6 is a top view thereof;  
FIG. 7 is a bottom view thereof;  
FIG. 8 is a top and side perspective view in an open position;  
FIG. 9 is a left side view thereof;  
FIG. 10 is a right side view thereof;  
FIG. 11 is a rear view thereof;  
FIG. 12 is a front view thereof;  
FIG. 13 is a top view thereof; and,  
FIG. 14 is a bottom view thereof.

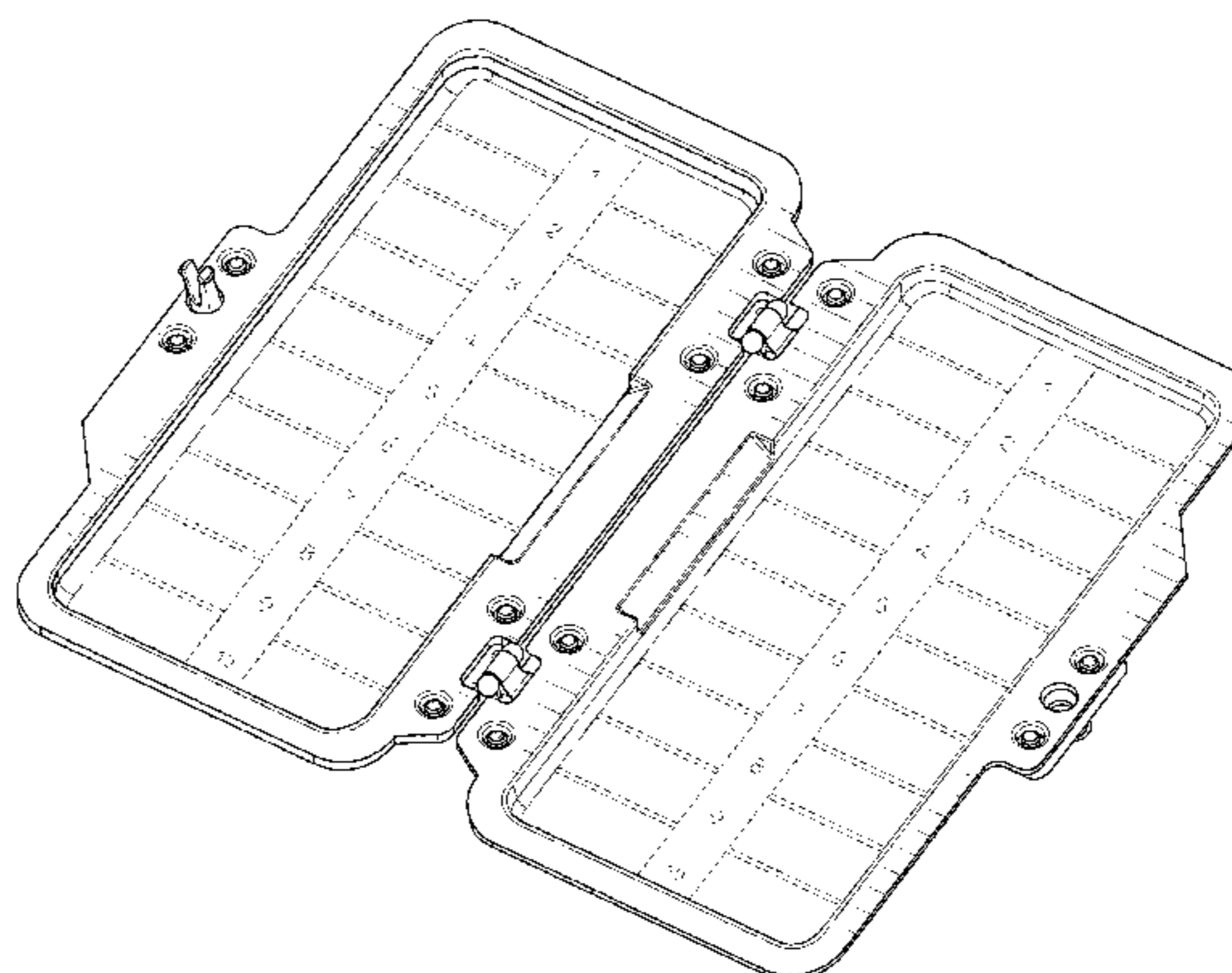
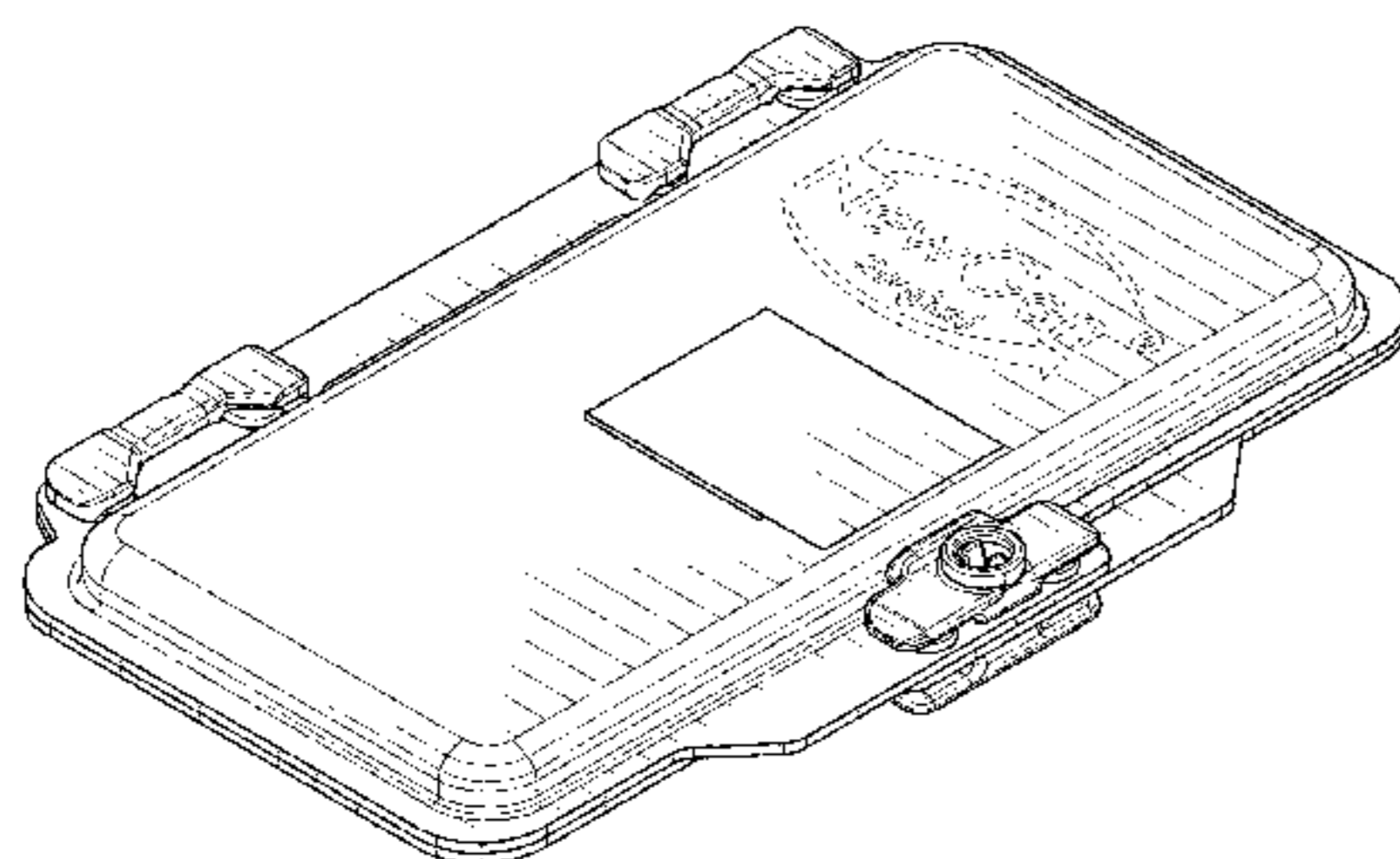
The dashed lines show environmental conditions only and  
form no part of the claimed design.

(56) **References Cited**

**U.S. PATENT DOCUMENTS**

D273,615 S \* 4/1984 Maskrey ..... D24/131  
5,555,671 A \* 9/1996 Voight ..... A01K 97/06  
206/315.11  
D376,647 S \* 12/1996 Marsh ..... D24/131  
D397,870 S \* 9/1998 De Winter ..... D28/83

**1 Claim, 8 Drawing Sheets**



(56)

**References Cited**

U.S. PATENT DOCUMENTS

D629,199 S \* 12/2010 Minneman ..... D3/203.6  
D629,608 S \* 12/2010 Hong ..... D3/294  
D701,387 S \* 3/2014 Tangen ..... D3/273  
D701,755 S \* 4/2014 Fathollahi ..... D9/415  
D721,821 S \* 1/2015 Swoish ..... D24/231  
D742,220 S \* 11/2015 Eyerman ..... D9/426  
D801,683 S \* 11/2017 Snyder ..... D3/272  
D804,053 S \* 11/2017 Chase ..... D24/231  
D805,890 S \* 12/2017 Hong ..... D9/415  
D808,653 S \* 1/2018 Rayeski ..... D3/273  
D815,436 S \* 4/2018 Stanley ..... D3/294

OTHER PUBLICATIONS

Needle Counters NewGen Surgical, Inc. [online] Published Jan. 14, 2018. Retrieved Feb. 14, 2019 from URL: <http://newgensurgical.com/needle-counter/>.\*

\* cited by examiner

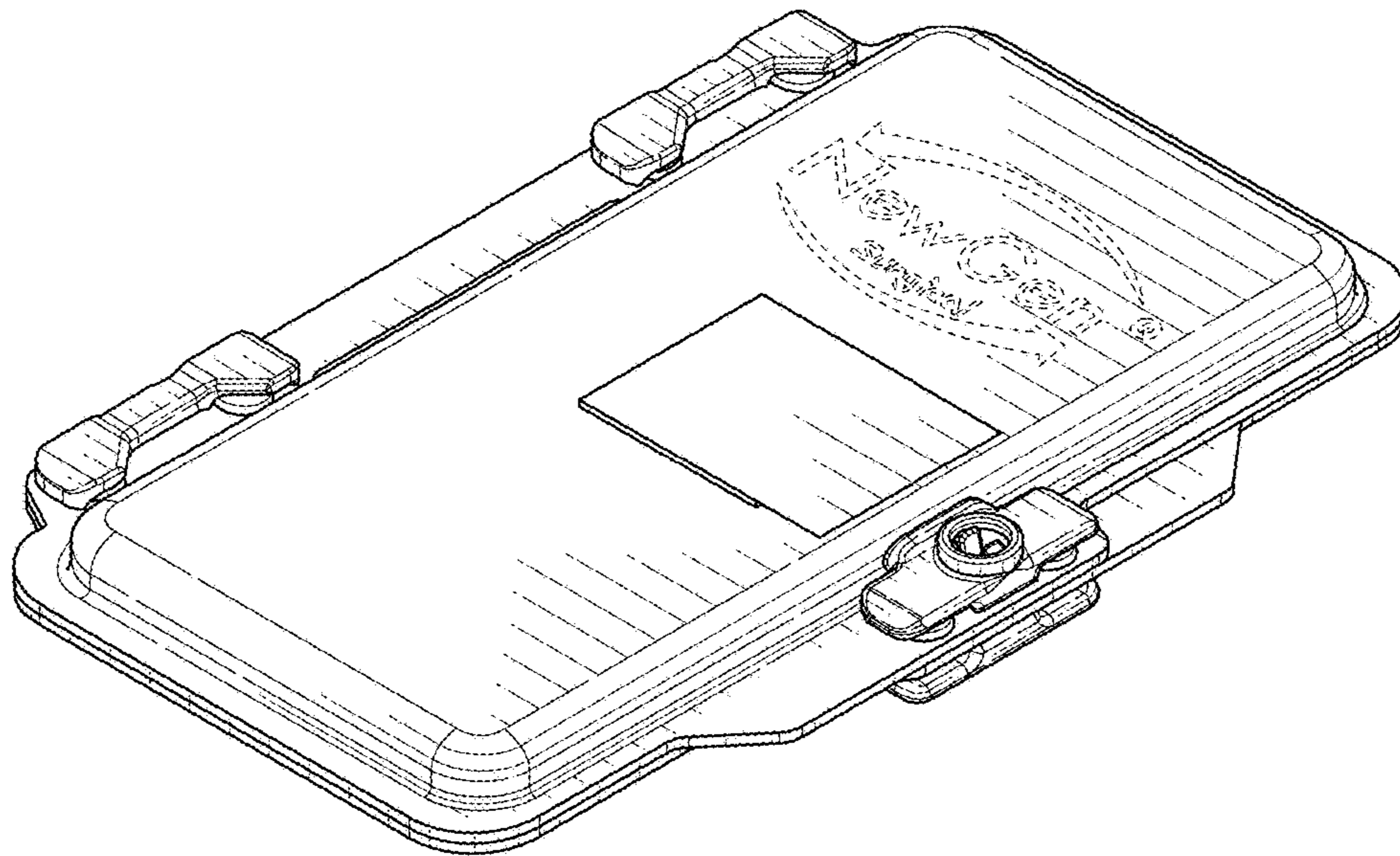


FIG. 1

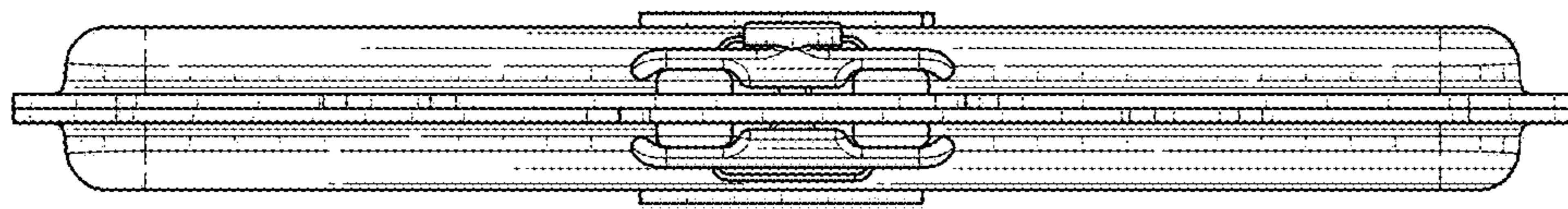


FIG. 2

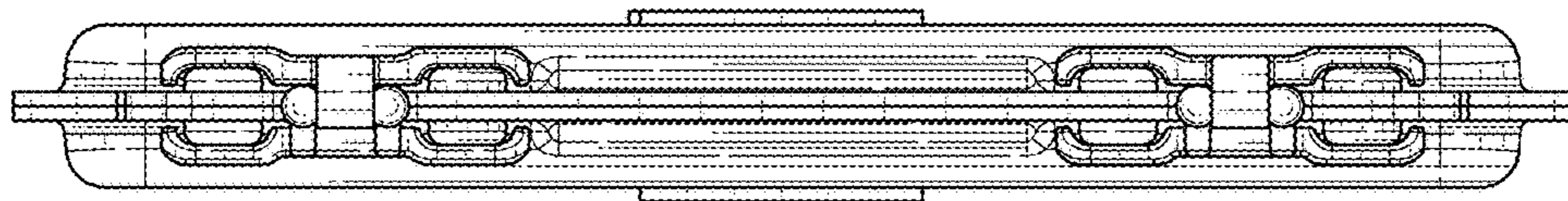


FIG. 3

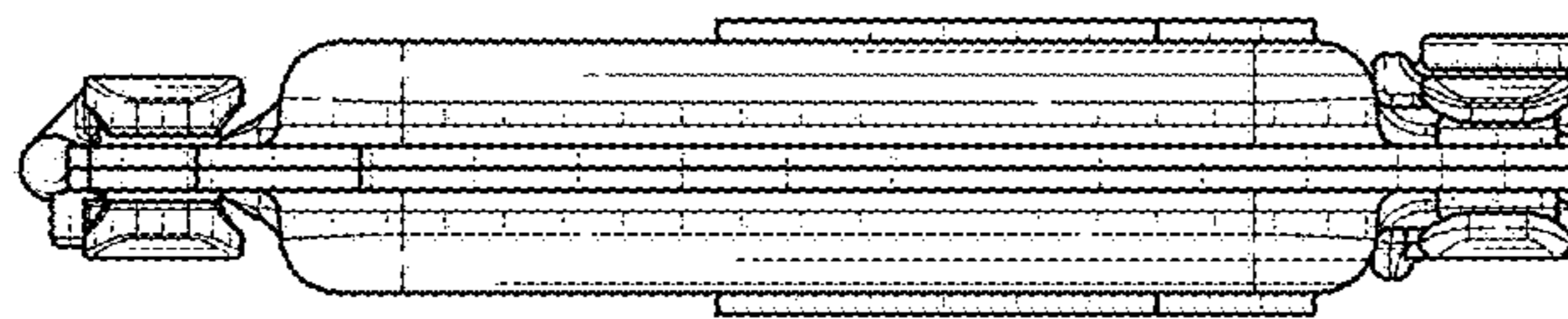


FIG. 4

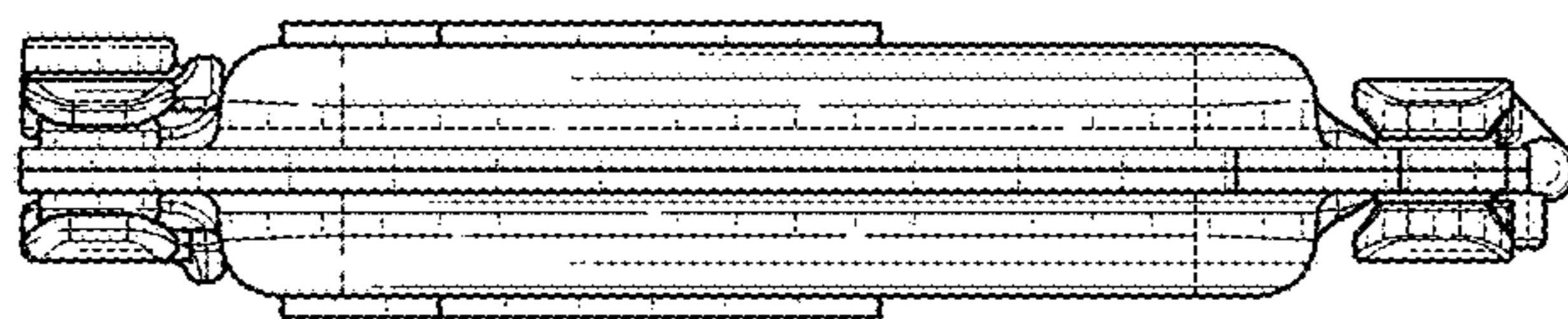


FIG. 5

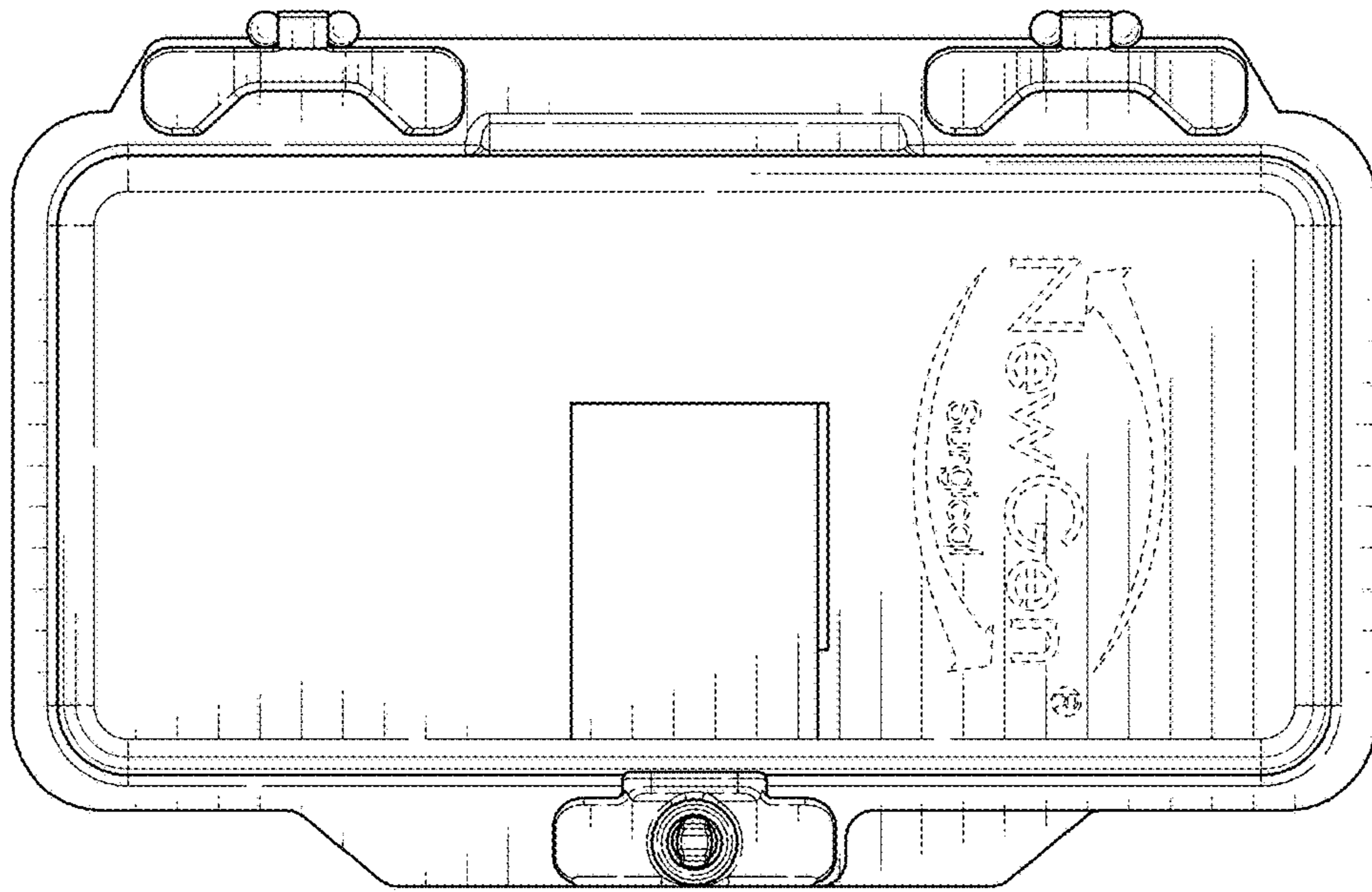


FIG. 6

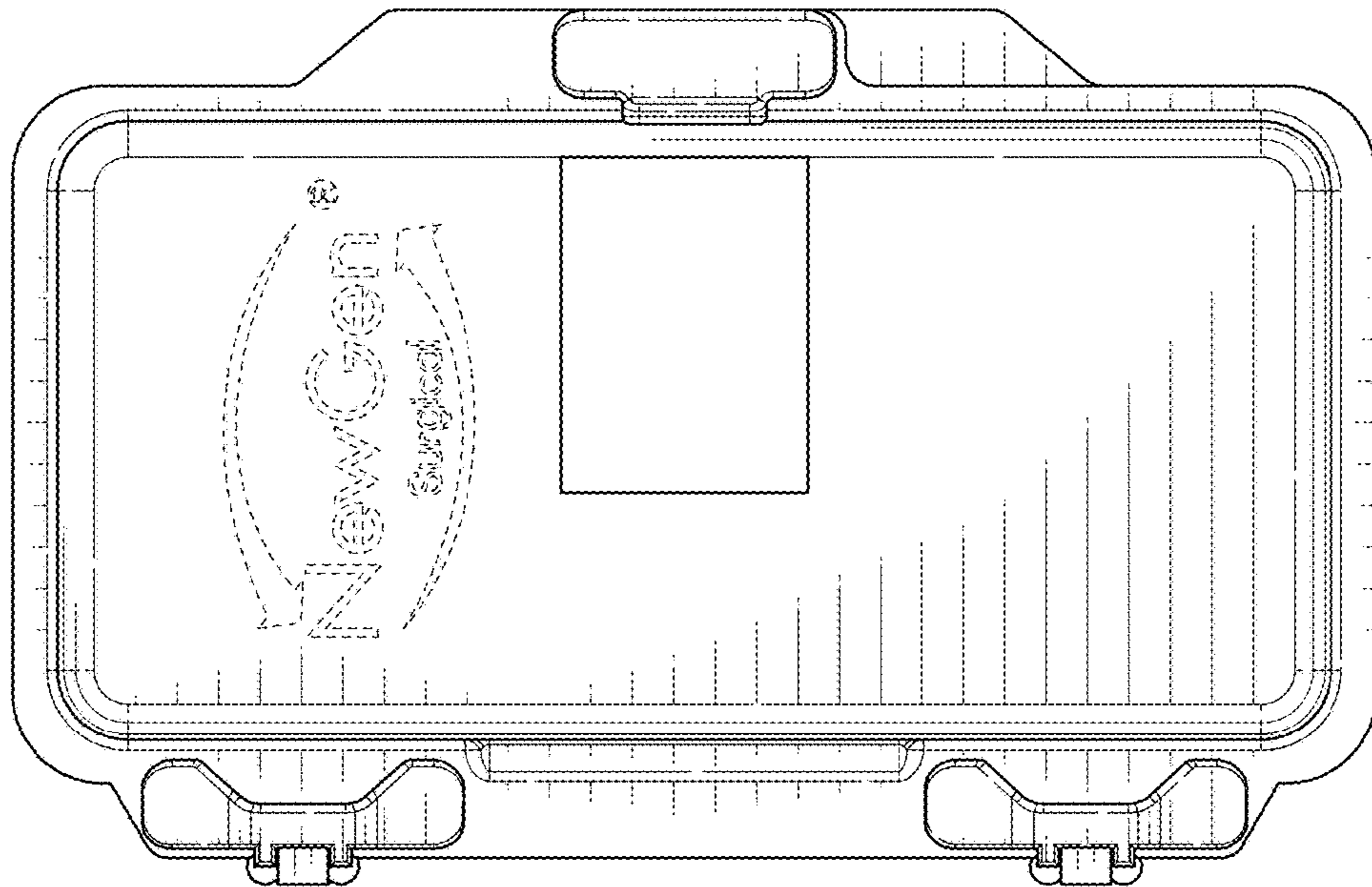


FIG. 7

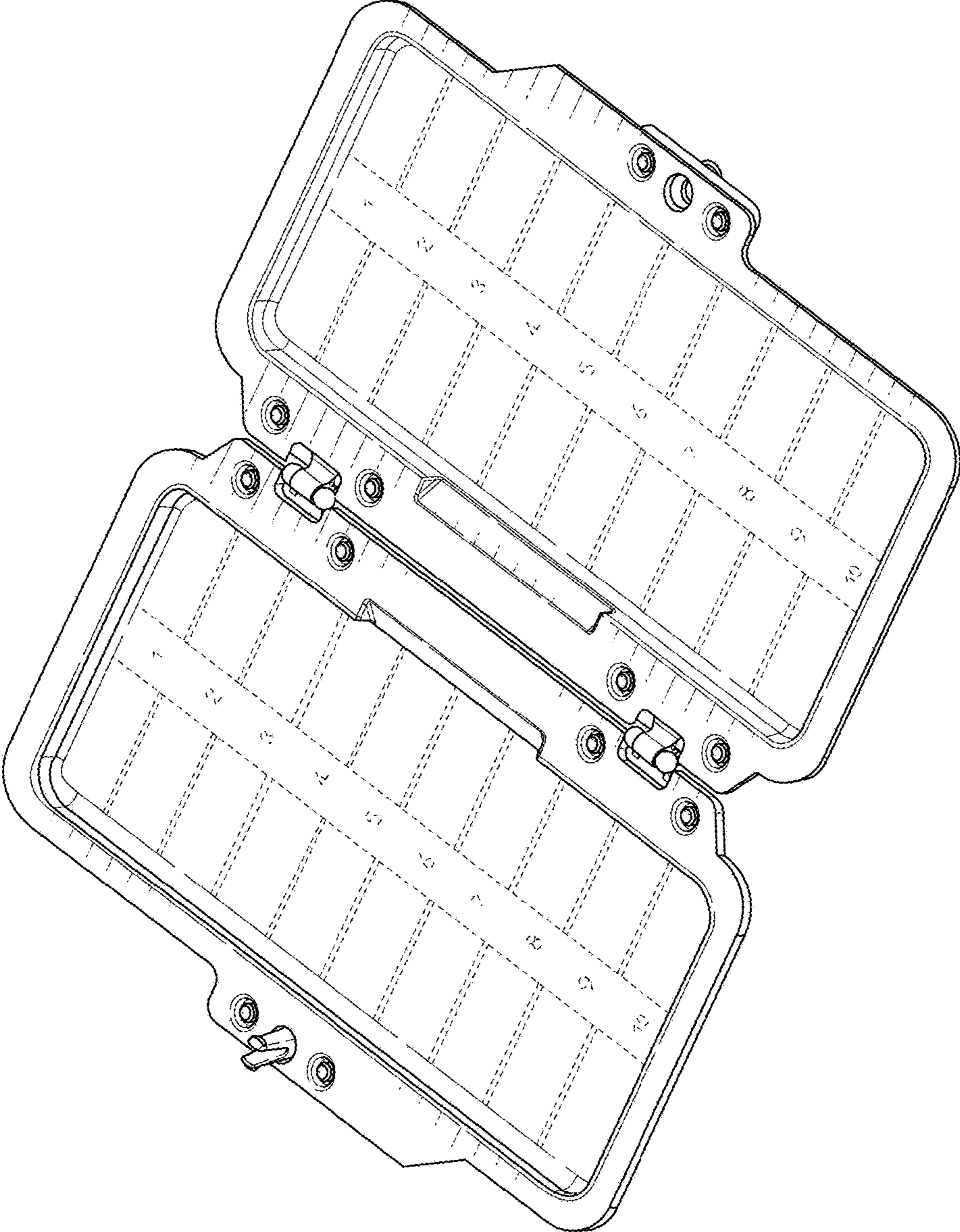


FIG. 8

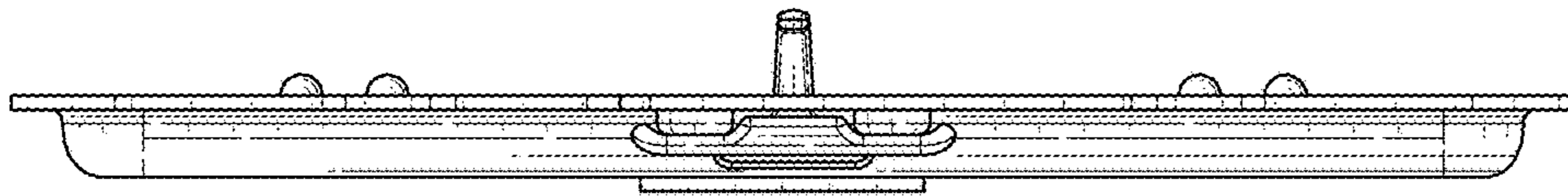


FIG. 9

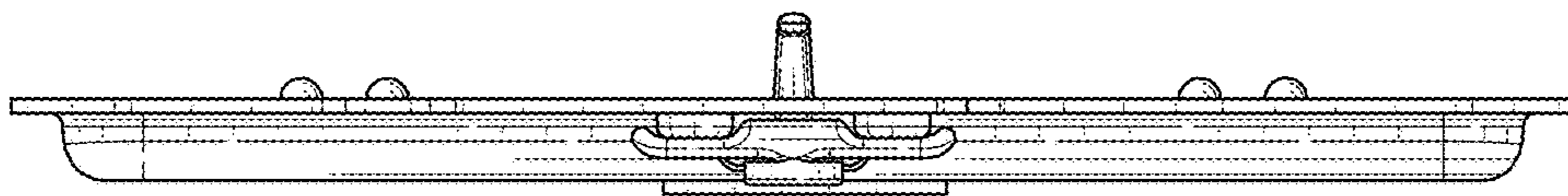


FIG. 10

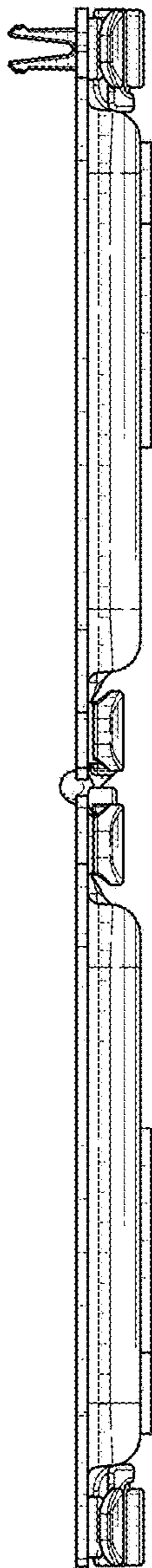


FIG. 11

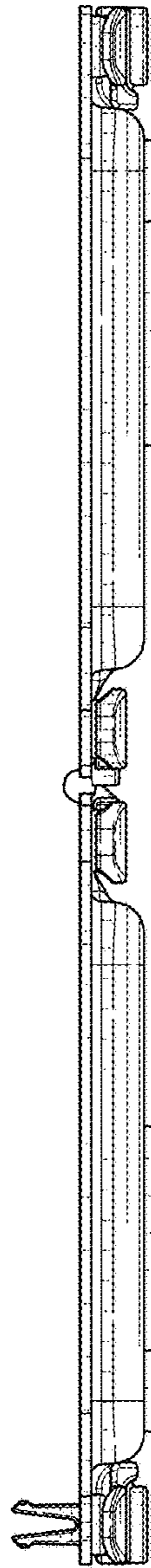


FIG. 12



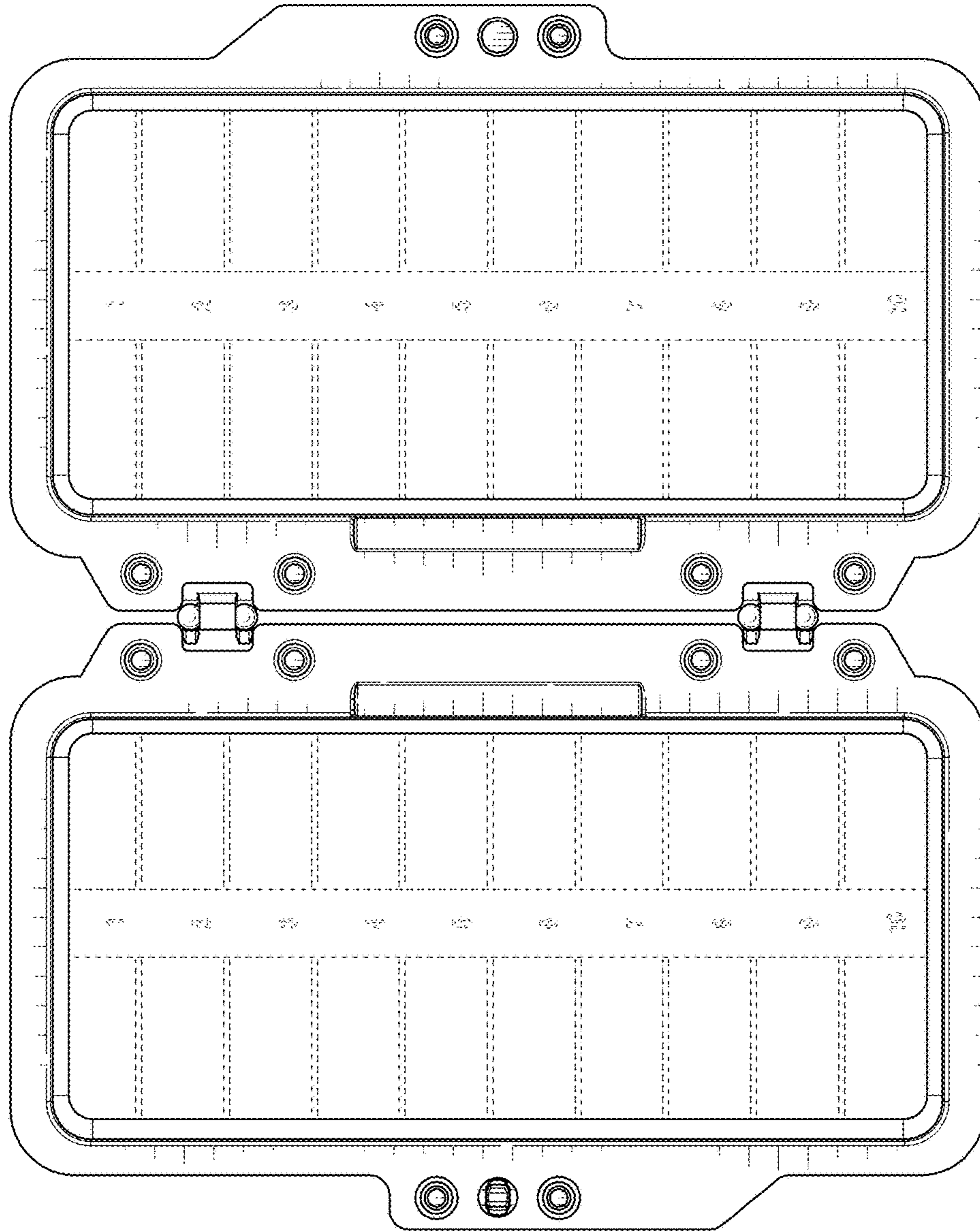


FIG. 13

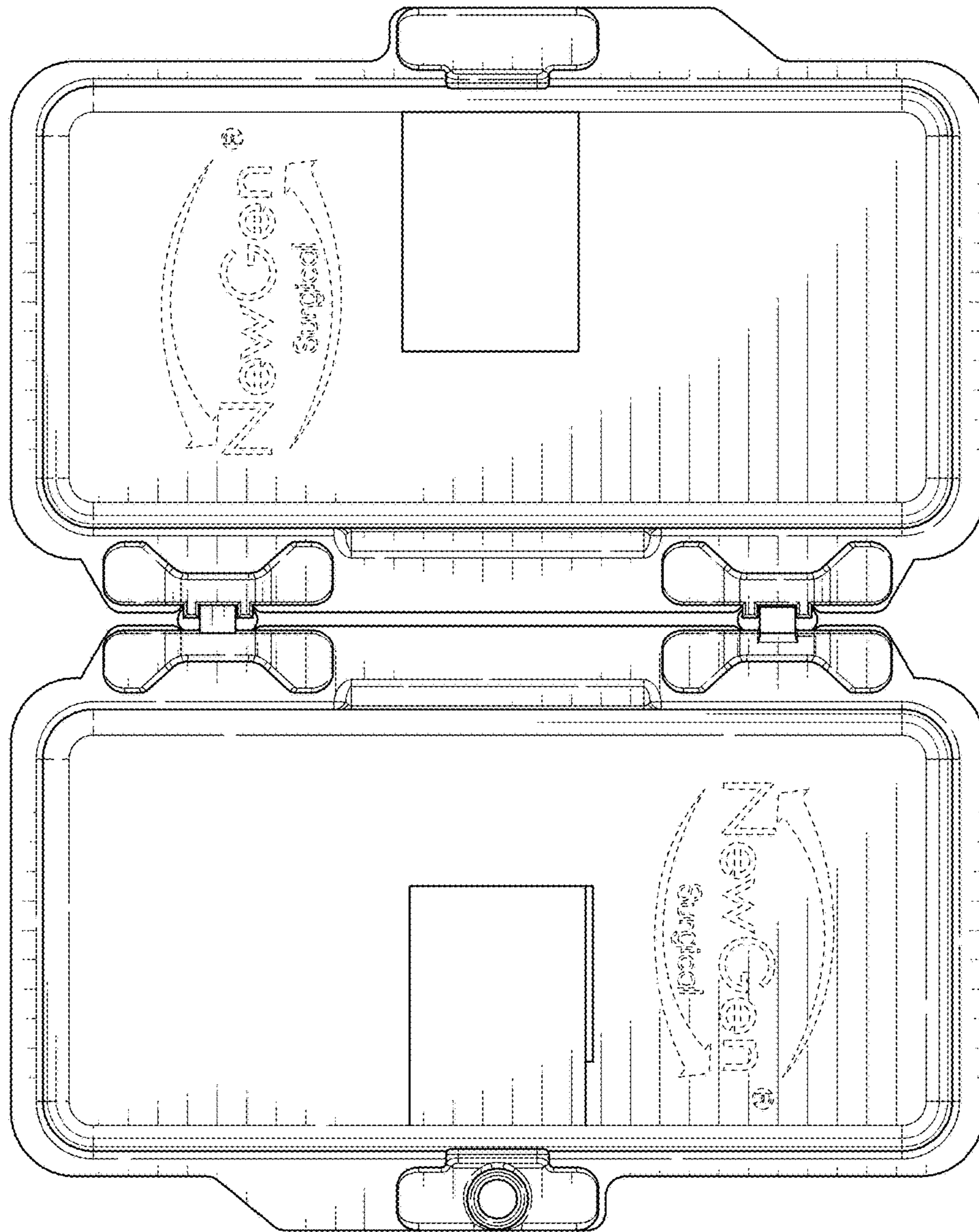


FIG. 14