



US00D853581S

(12) **United States Design Patent** (10) **Patent No.:** **US D853,581 S**
Bucher et al. (45) **Date of Patent:** **** Jul. 9, 2019**

(54) **RACK FOR ASSAY TIPS AND ASSAY CUPS**

(71) Applicant: **Roche Diagnostics Operations, Inc.**,
Indianapolis, IN (US)

(72) Inventors: **Armin Bucher**, Neuenkirch (CH);
Thomas Guggisberg, Boswil (CH);
Stephan Sattler, Starnberg (DE);
Martin Halter, Oberarth (CH)

(73) Assignee: **Roche Diagnostics Operations, Inc.**,
Indianapolis, IN (US)

(**) Term: **15 Years**

(21) Appl. No.: **29/567,591**

(22) Filed: **Jun. 10, 2016**

Related U.S. Application Data

(63) Continuation of application No. 14/872,471, filed on
Oct. 1, 2015.

(51) **LOC (11) Cl.** **24-02**

(52) **U.S. Cl.**
USPC **D24/227**

(58) **Field of Classification Search**
USPC D24/224-230, 216, 217, 232; 422/569,
422/500-553, 560-562, 564, 50, 400;
211/126.1, 74, 70.1; 435/287.1, 288, 4,
435/305.2, 289.1; 206/443
CPC B01L 9/54; B01L 9/00; B01L 9/06; B01L
9/065; B01L 9/543
See application file for complete search history.

(56) **References Cited**

U.S. PATENT DOCUMENTS

4,349,109 A 9/1982 Scordato et al.
4,619,365 A 10/1986 Kelly et al.
5,366,088 A 11/1994 Hill et al.
5,392,914 A 2/1995 Lemieux et al.

D369,415 S * 4/1996 Boulton D24/224
5,582,297 A 12/1996 Carter
5,827,745 A 10/1998 Astle
D414,271 S * 9/1999 Mendoza D24/224
6,098,819 A 8/2000 Link
D448,854 S * 10/2001 Kuiper D24/227
D461,554 S * 8/2002 Lafond D24/227
6,534,015 B1 3/2003 Viot et al.
D620,605 S * 7/2010 Reitze D24/227
D628,306 S * 11/2010 Blanc D24/230
D639,447 S * 6/2011 Karpiloff D24/230

(Continued)

FOREIGN PATENT DOCUMENTS

EP 1 278 966 B1 7/2006
FR 2726201 A1 5/1996

(Continued)

Primary Examiner — Susan Bennett Hattan

Assistant Examiner — Rebecca Tsehaye

(74) *Attorney, Agent, or Firm* — Dinsmore & Shohl, LLP

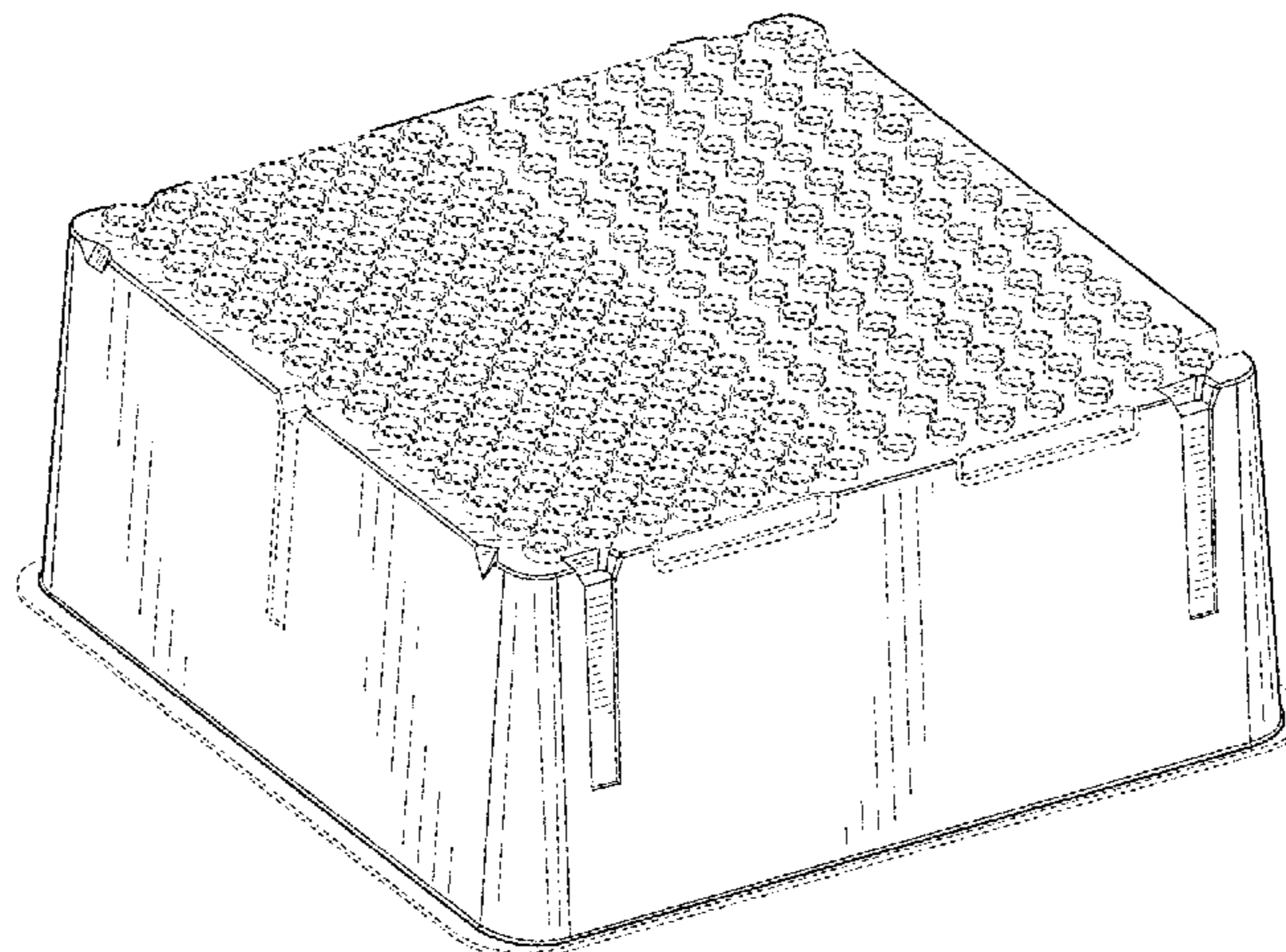
(57) **CLAIM**

The ornamental design for a rack for assay tips and assay cups, as shown and described.

DESCRIPTION

FIG. 1 is a perspective of a rack for assay tips and assay cups in accordance with the present invention;
FIG. 2 is a top view of the rack of FIG. 1, the opposite side being disclaimed entirely and not shown;
FIG. 3 is a left side view of the rack of FIG. 1;
FIG. 4 is a front view of the rack of FIG. 1, the opposite side being a mirror image thereof; and,
FIG. 5 is a right side view of the rack of FIG. 1.
The broken line circles on the top surface of FIGS. 1-5 represent holding wells for assay tips and assay cups and form no part of the claimed design. All other broken lines on the exterior of the rack depict unclaimed environment and form no part of the claimed design.

1 Claim, 2 Drawing Sheets



(56)

References Cited

U.S. PATENT DOCUMENTS

D645,156	S *	9/2011	Reitze	D24/227
8,168,137	B2	5/2012	Powell et al.	
D675,748	S *	2/2013	Hilligoss	D24/230
D699,371	S *	2/2014	Williams	D24/230
8,906,327	B2 *	12/2014	Williams	B01L 9/543 422/524
8,950,595	B2	2/2015	Ammon	
D808,540	S *	1/2018	Johns	D24/227
D812,243	S *	3/2018	Johns	D24/227
2006/0045815	A1	3/2006	Hovatter	
2008/0023426	A1	1/2008	Stahl	
2011/0180541	A1	7/2011	Becklin	
2013/0315800	A1 *	11/2013	Yin	B01L 9/523 422/552
2014/0308181	A1	10/2014	Blumentritt	
2016/0101422	A1 *	4/2016	Bucher	B01L 9/543 422/564
2016/0167041	A1 *	6/2016	Curry	B01L 3/0275 422/526
2017/0136467	A1 *	5/2017	Johns	B01L 9/06

FOREIGN PATENT DOCUMENTS

GB	1 522 128 A	8/1978
WO	2003064271 A3	8/2003

* cited by examiner

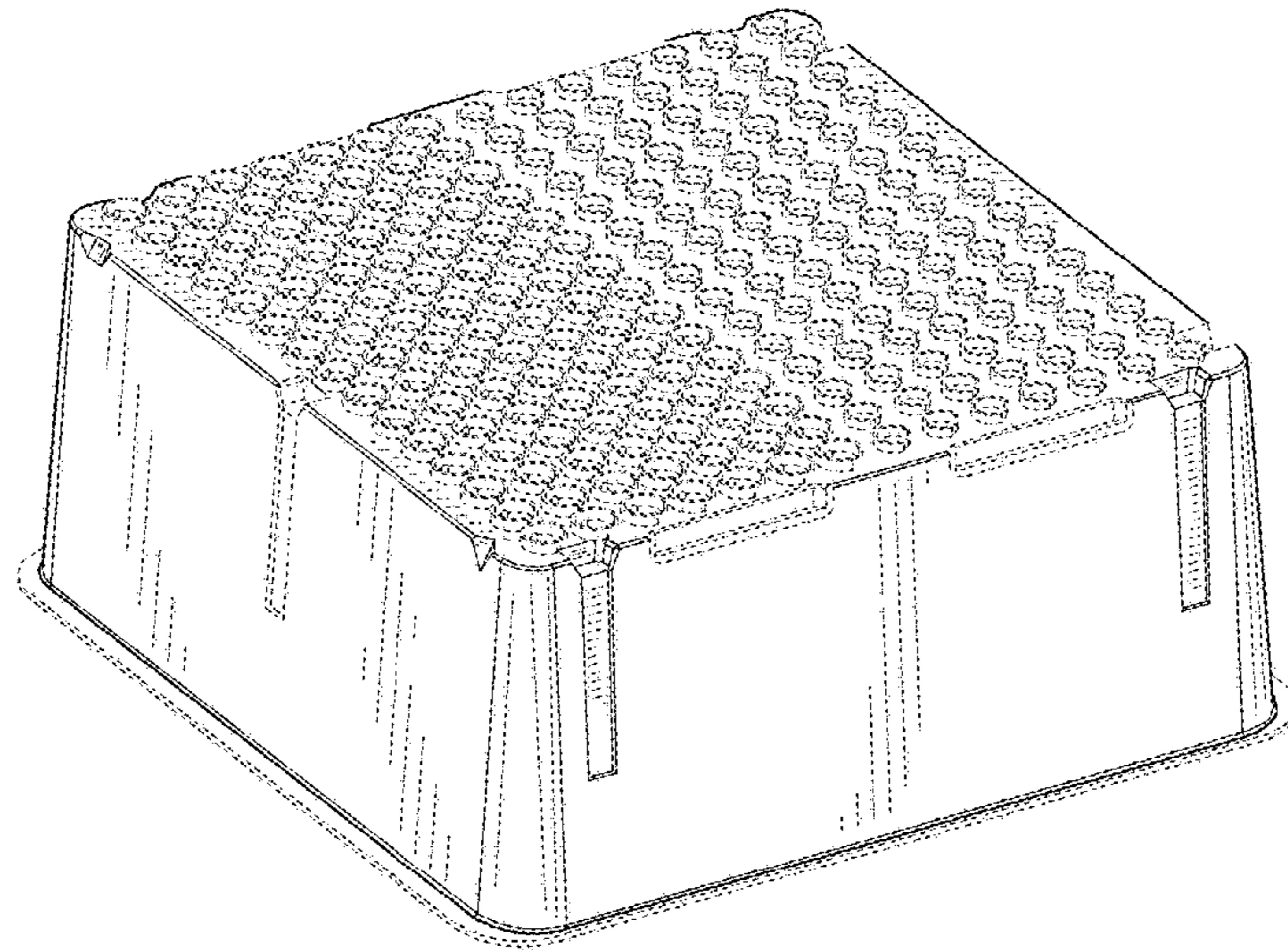


FIG. 1

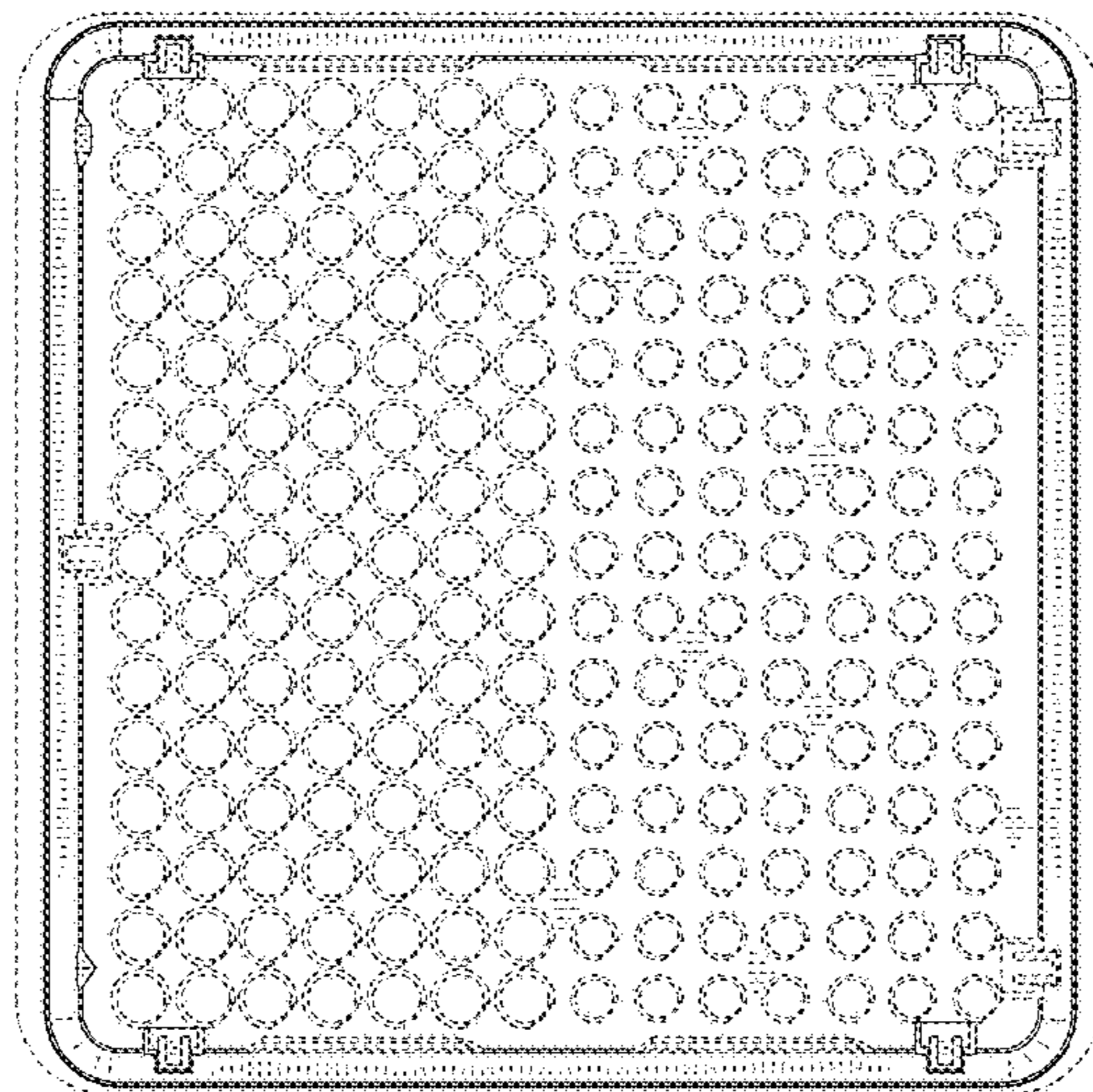


FIG. 2

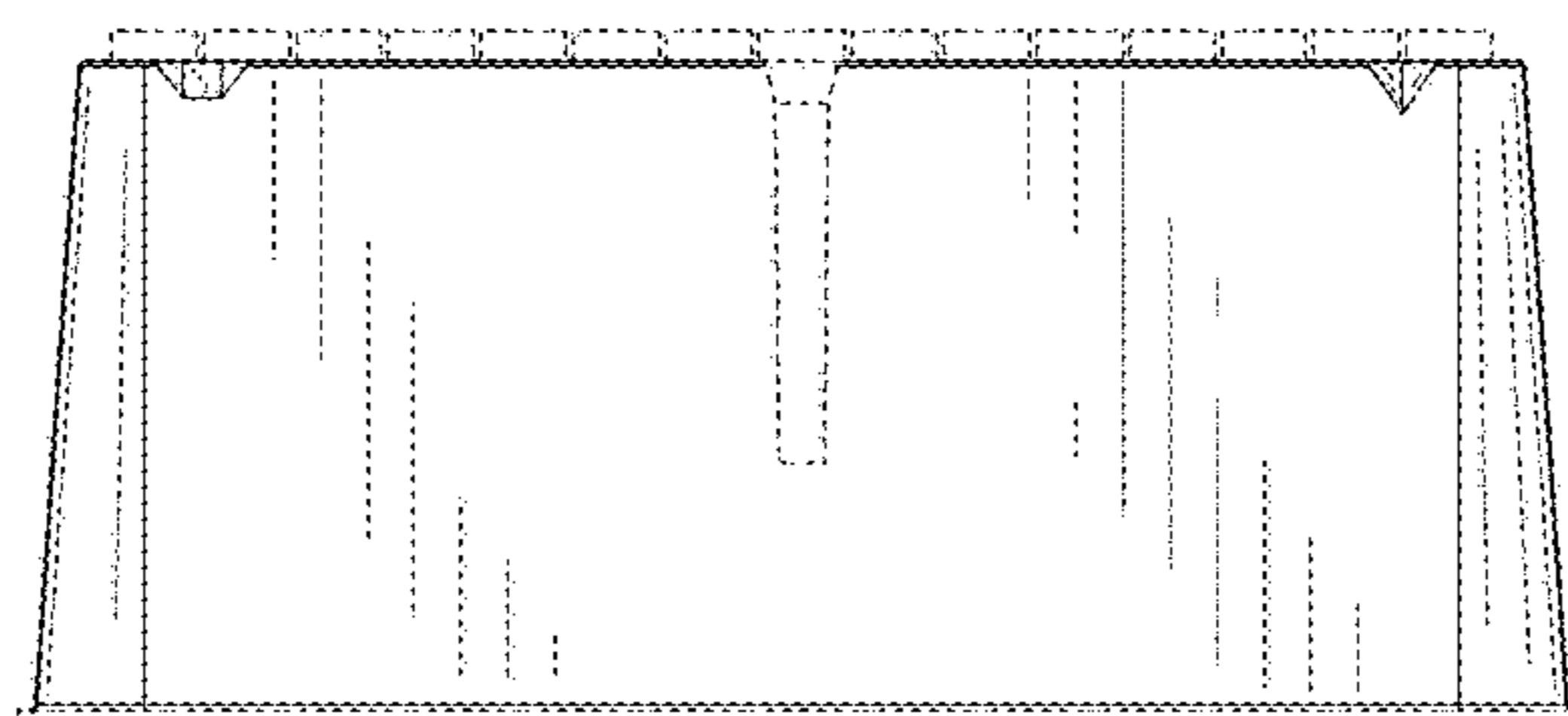


FIG. 3

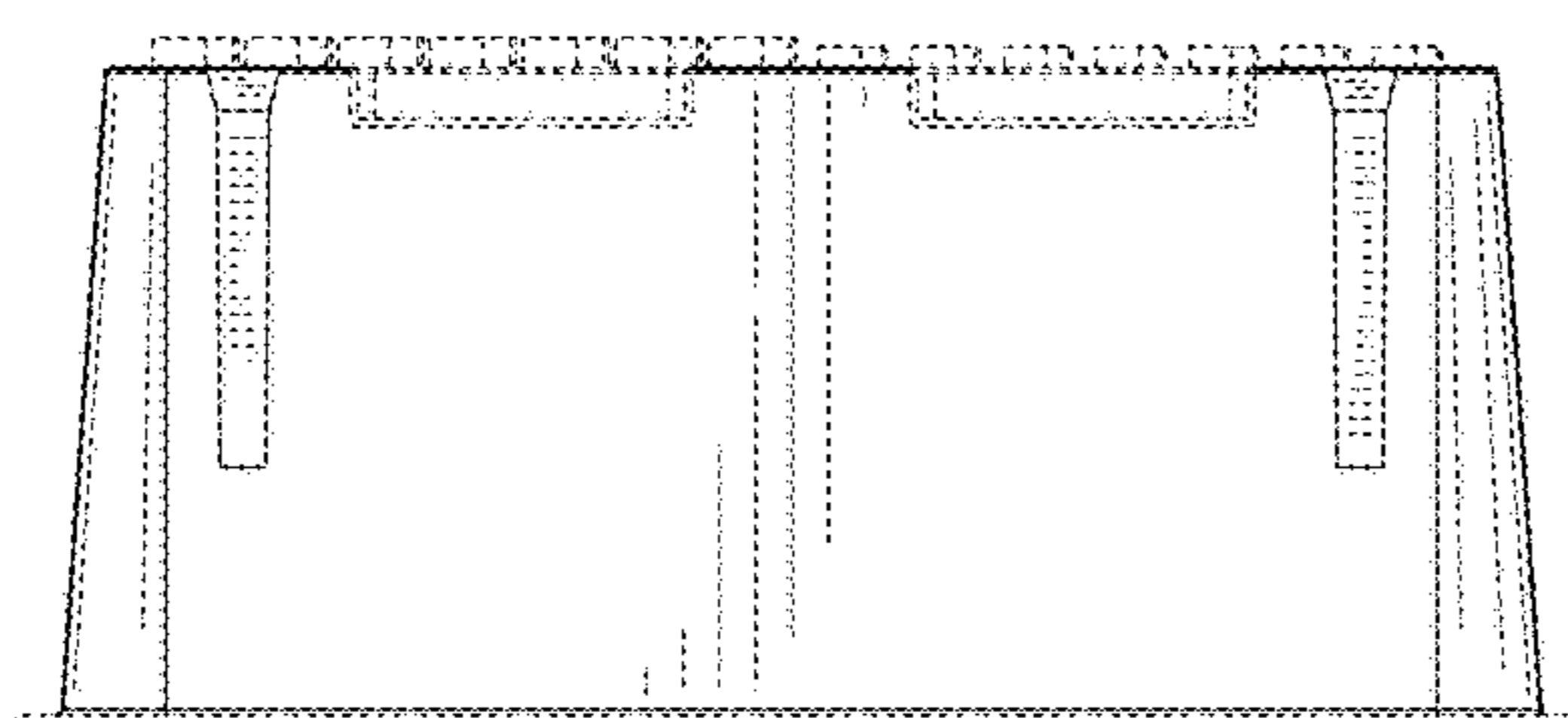


FIG. 4

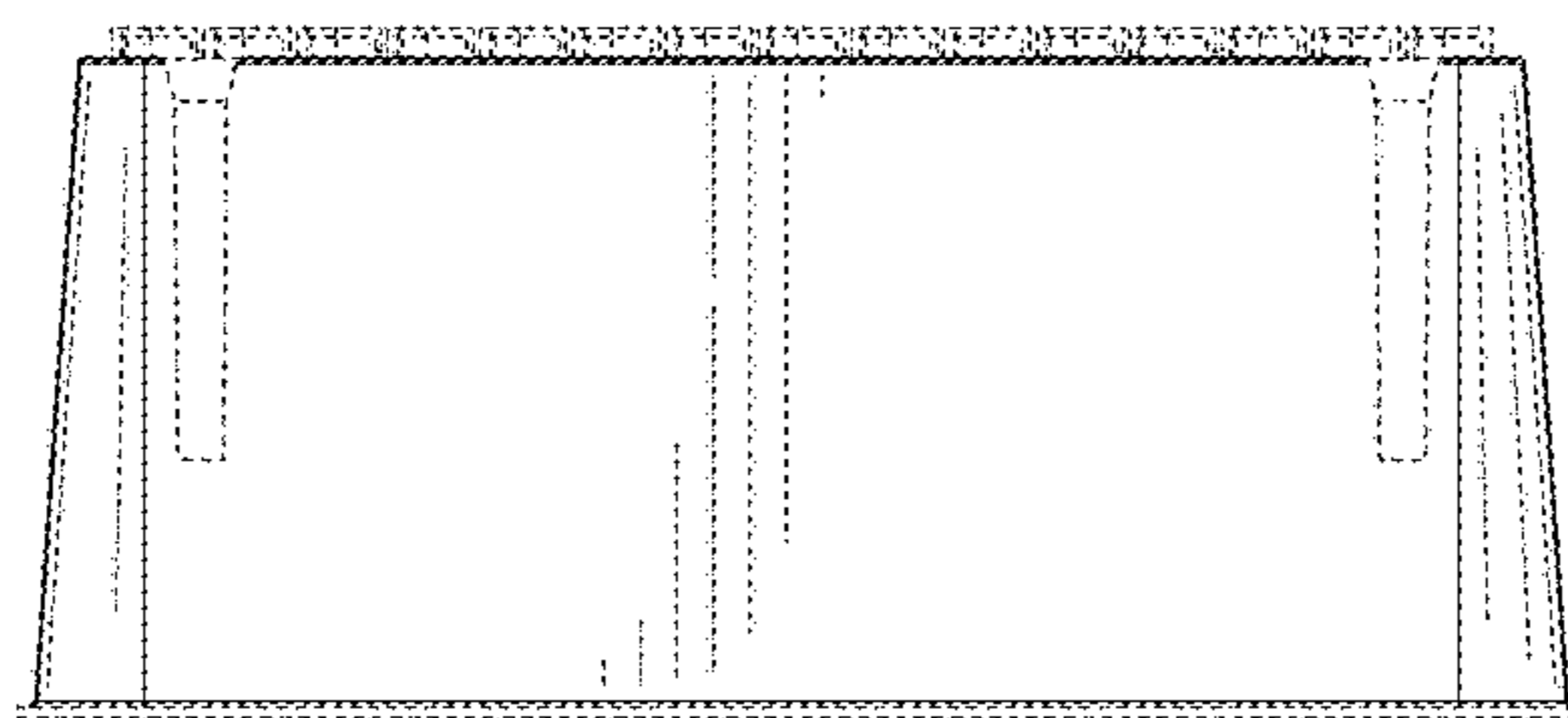


FIG. 5