



US00D853579S

(12) **United States Design Patent**
Newberg et al.

(10) **Patent No.:** **US D853,579 S**

(45) **Date of Patent:** **** Jul. 9, 2019**

(54) **DIGITAL PATHOLOGY APPARATUS**

(71) Applicant: **Leica Biosystems Imaging, Inc.**, Vista, CA (US)

(72) Inventors: **Nicholas Newberg**, San Marcos, CA (US); **Prentash Djelosevic**, Oceanside, CA (US); **Peyman Najmabadi**, San Diego, CA (US); **Lance Mikus**, San Marcos, CA (US)

(73) Assignee: **LEICA BIOSYSTEMS IMAGING, INC.**, Vista, CA (US)

(**) Term: **15 Years**

(21) Appl. No.: **29/631,492**

(22) Filed: **Dec. 29, 2017**

(51) **LOC (11) Cl.** **24-01**

(52) **U.S. Cl.**
USPC **D24/216**

(58) **Field of Classification Search**
USPC D24/107, 169, 185, 186, 216–219, D24/231–234; D10/81
CPC G01N 2035/00306; G01N 2035/00326; G01N 2035/00336; G01N 2030/027; G01N 21/76; G01N 1/28; G01N 33/50; G01N 35/025

See application file for complete search history.

(56) **References Cited**

U.S. PATENT DOCUMENTS

D381,749 S * 7/1997 Lawrence D24/232
D471,271 S * 3/2003 Stromberg D24/107

D482,796 S * 11/2003 Oyama D24/232
D671,227 S * 11/2012 Parker D24/216
D691,732 S * 10/2013 Shibata D24/216
D720,079 S * 12/2014 Oonuma D24/216
D732,185 S * 6/2015 Kuechle D24/216
D742,767 S * 11/2015 Saga D10/81
D761,439 S * 7/2016 Ruiz Robles D24/232
D835,293 S * 12/2018 Masuda D24/232
2015/0226759 A1 * 8/2015 Connolly G01N 35/109
435/287.3

* cited by examiner

Primary Examiner — Anhdao Doan

(74) *Attorney, Agent, or Firm* — Procopio, Cory, Hargreaves & Savitch LLP

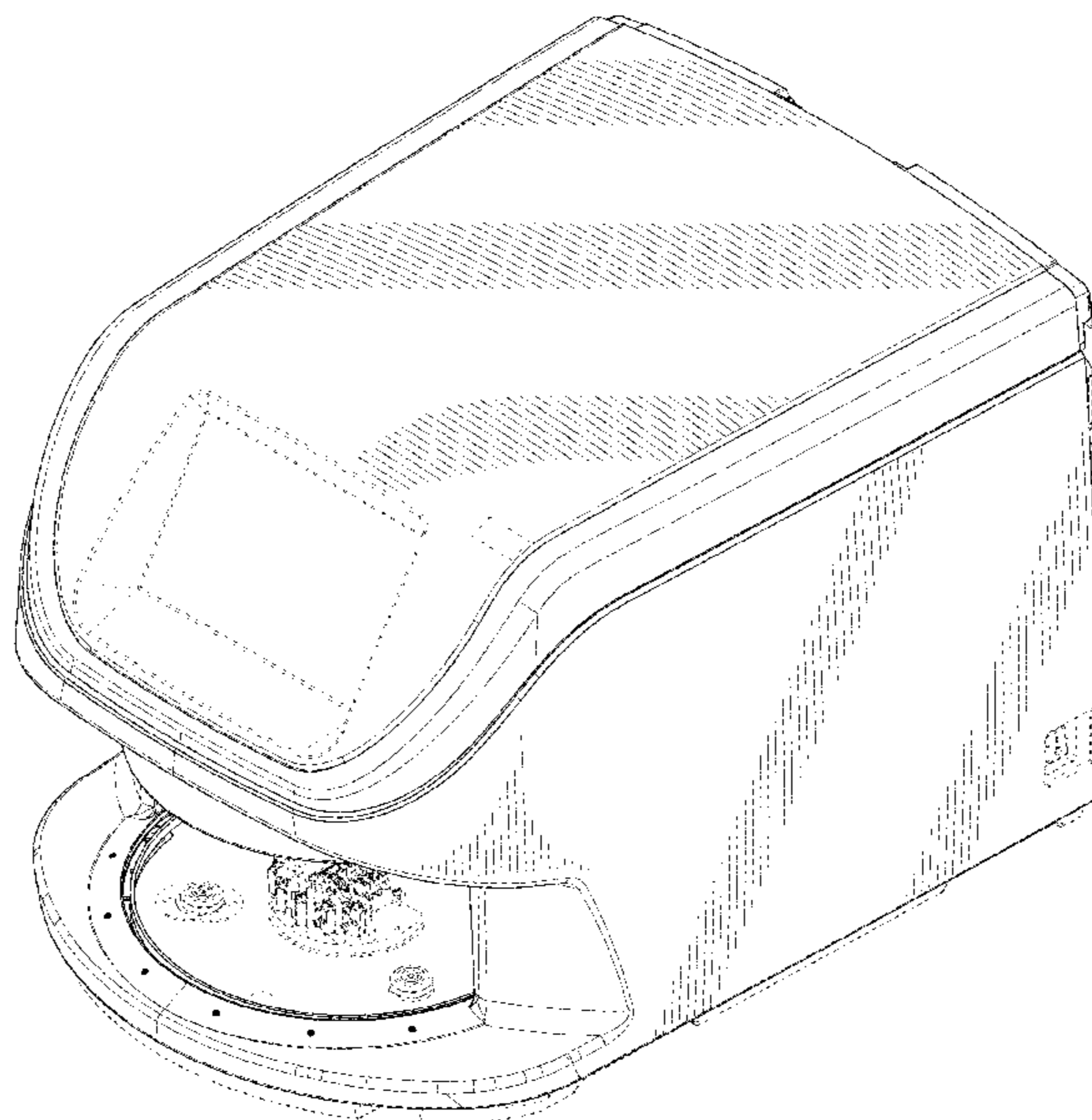
(57) **CLAIM**

The ornamental design for a digital pathology apparatus, as shown and described.

DESCRIPTION

FIG. 1 is a front-right perspective view of a digital pathology apparatus according to the present invention; FIG. 2 is a back-left perspective view thereof; FIG. 3 is a front side view thereof; FIG. 4 is a back side view thereof; FIG. 5 is a left side view thereof; FIG. 6 is a right side view thereof; FIG. 7 is a top side view thereof; and, FIG. 8 is a bottom side view thereof. The broken lines immediately adjacent the shaded areas represent the bounds of the claim, while all other broken lines are directed to environment and are for illustrative purposes only; the broken lines form no part of the claimed design.

1 Claim, 8 Drawing Sheets



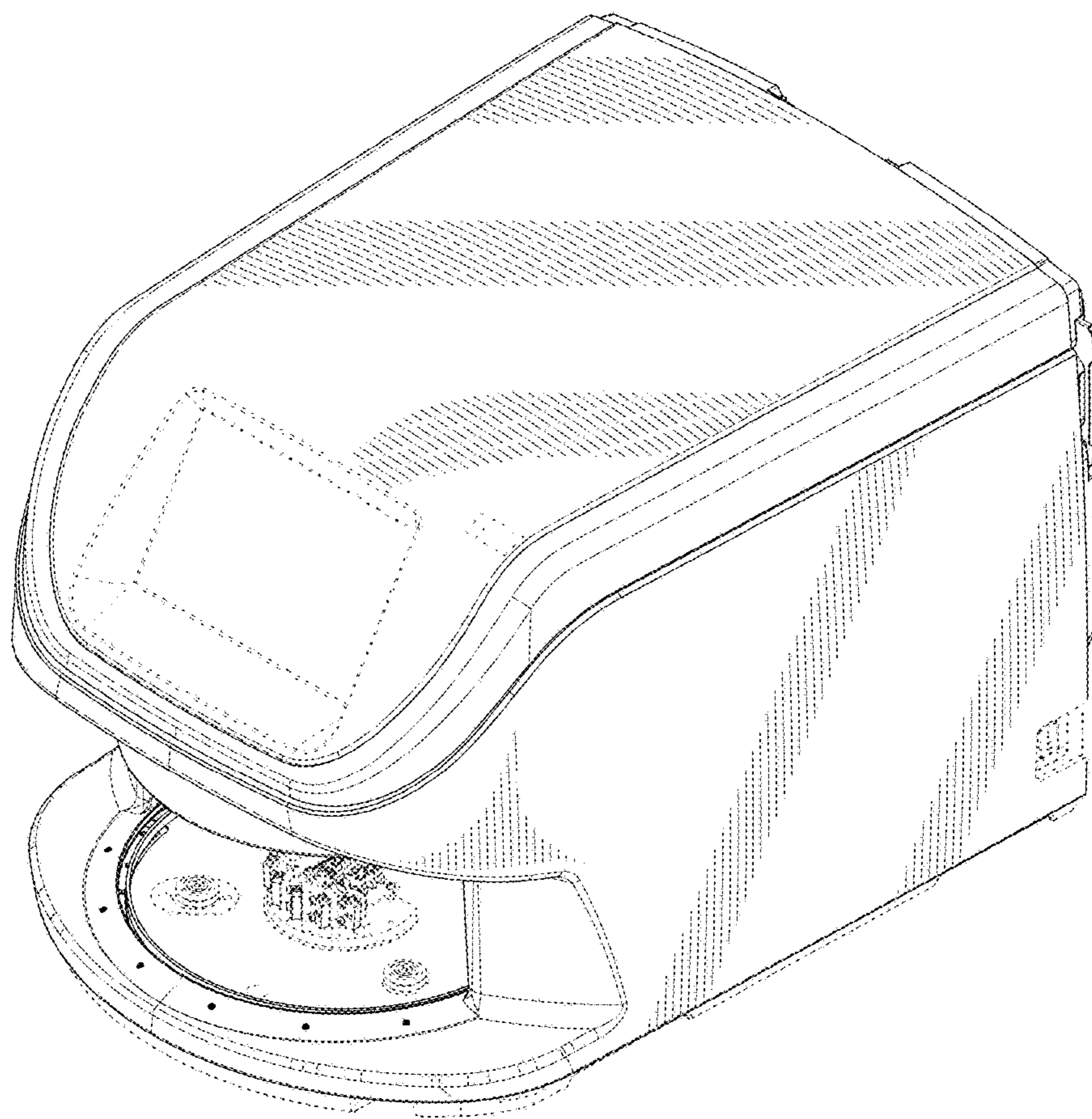


FIG. 1

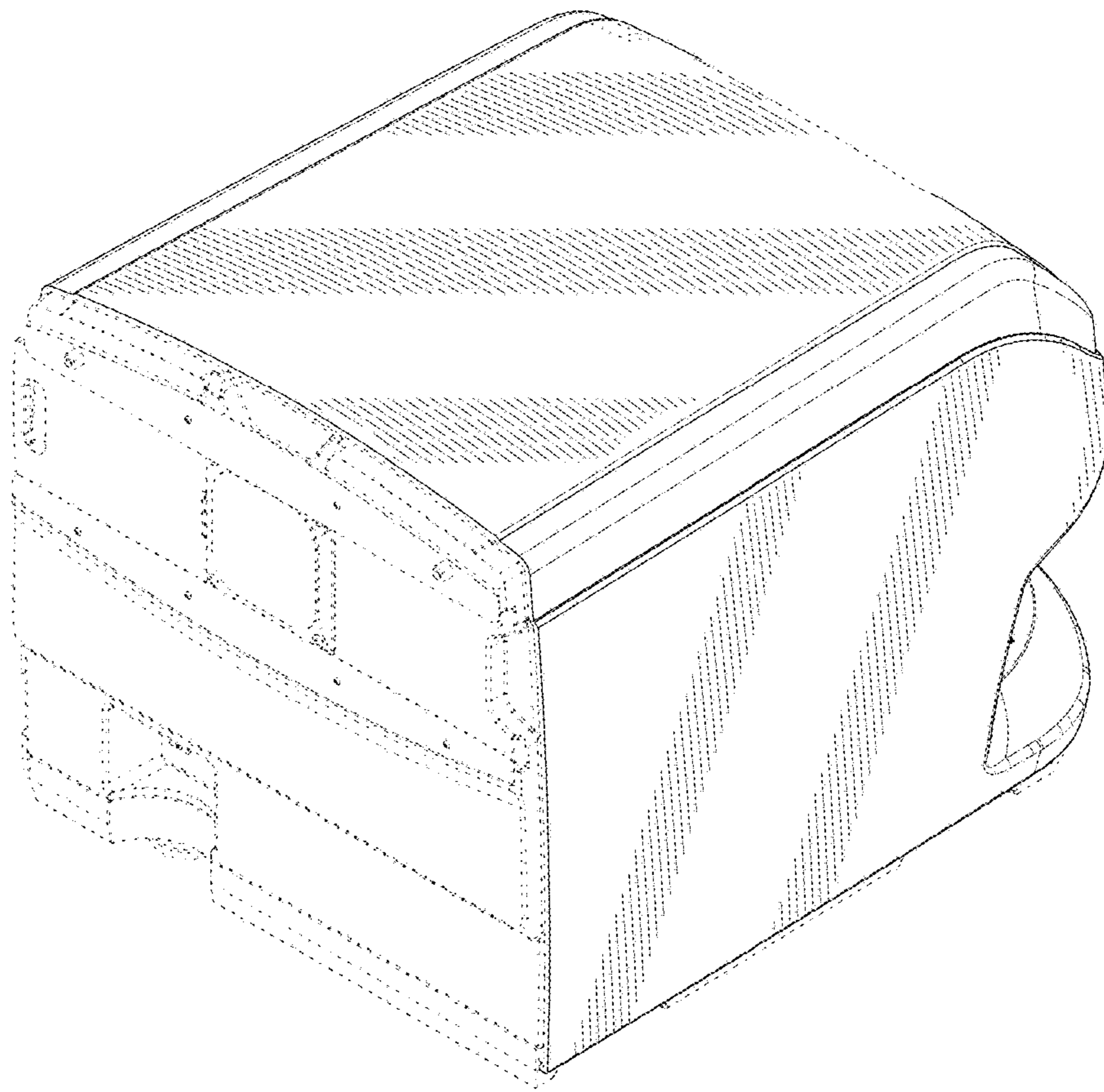


FIG. 2

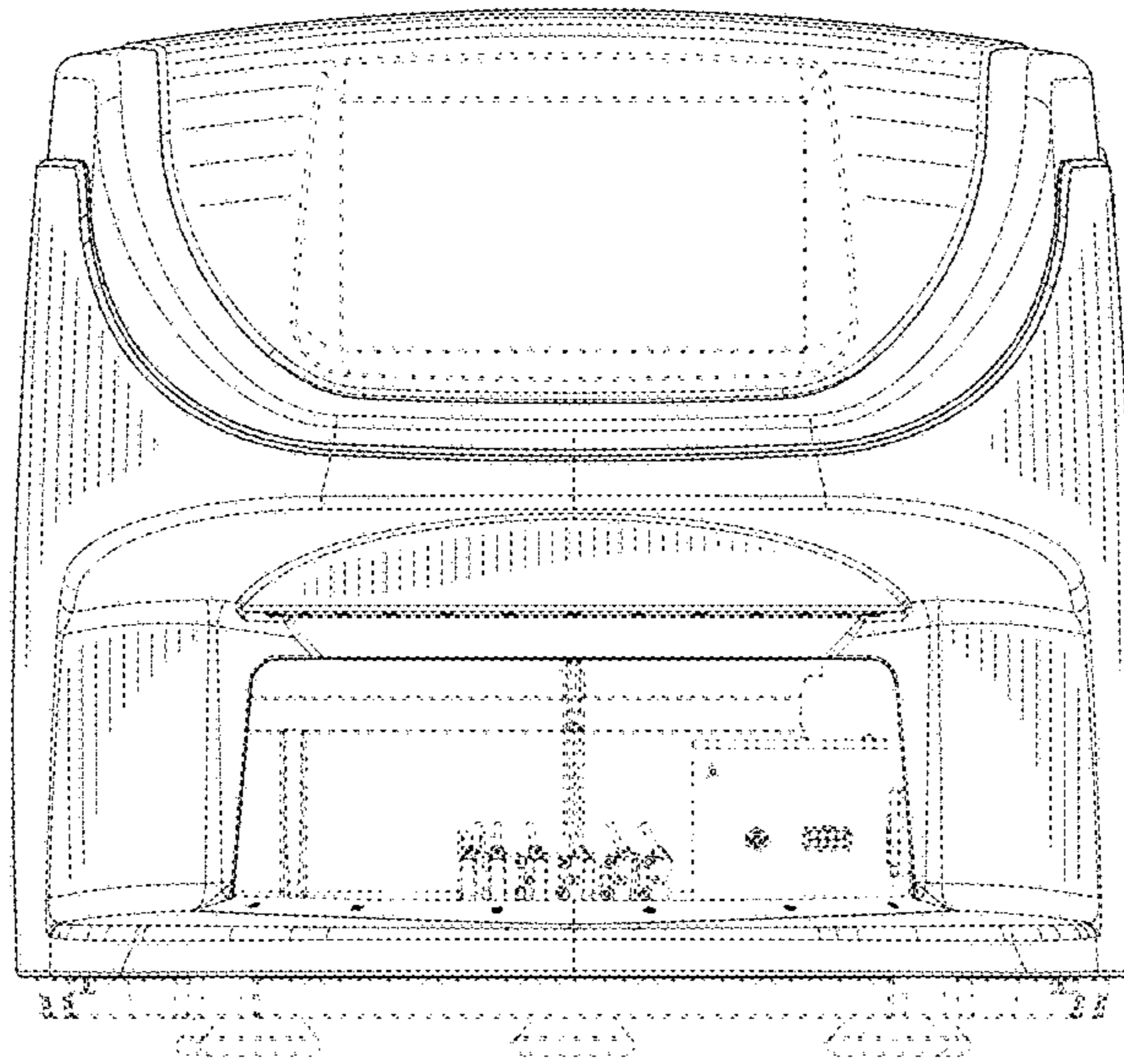


FIG. 3

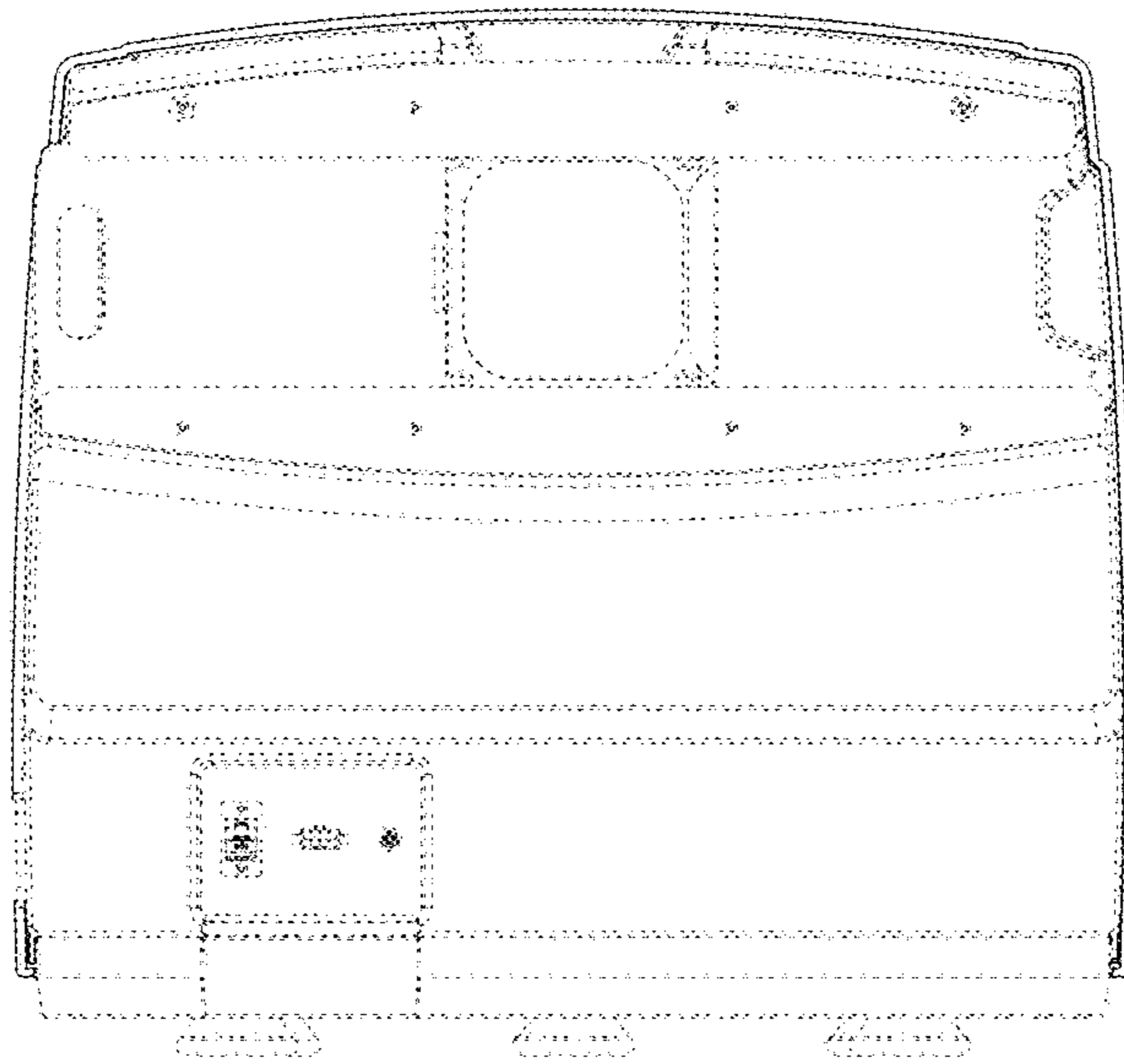


FIG. 4

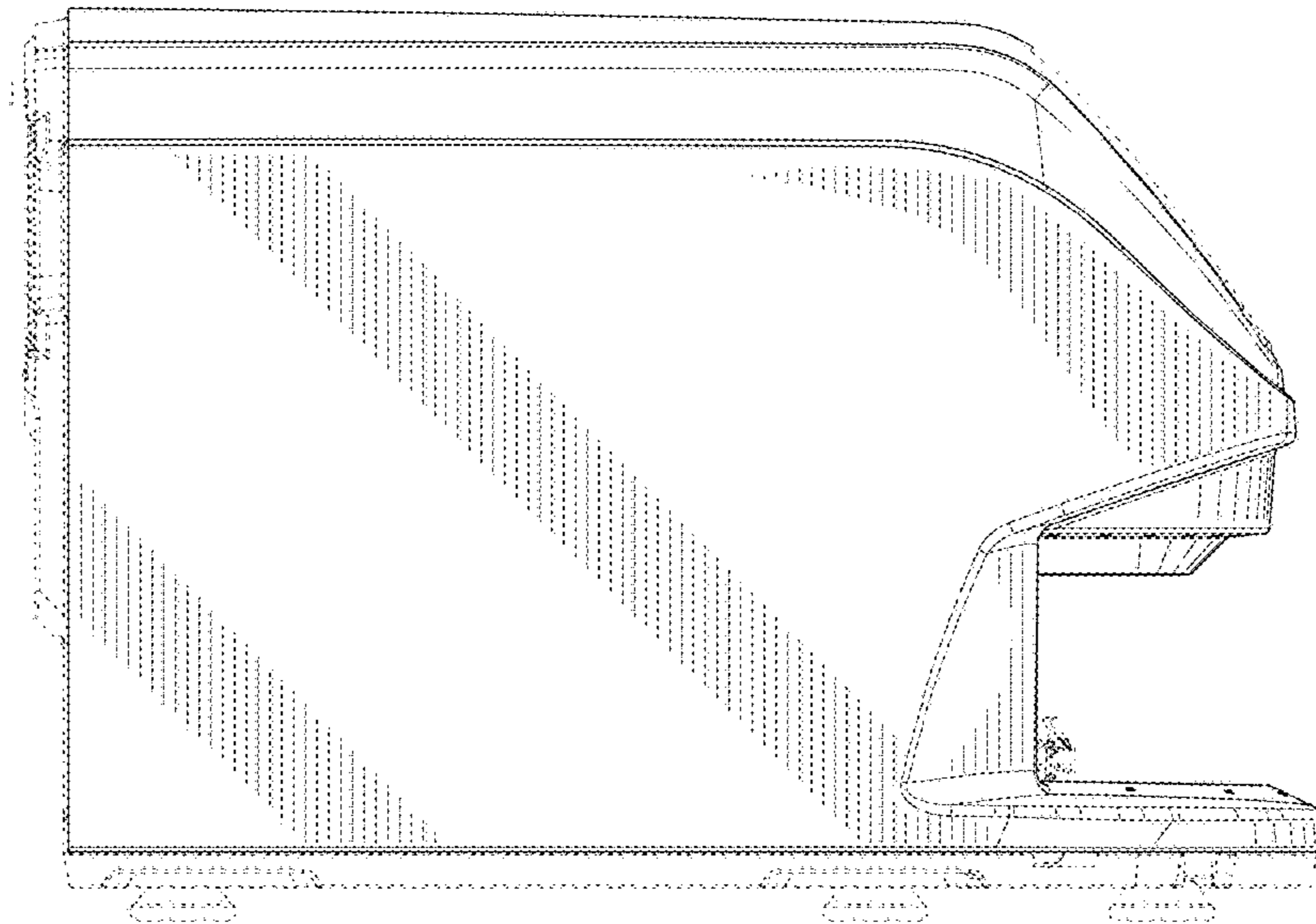


FIG. 5

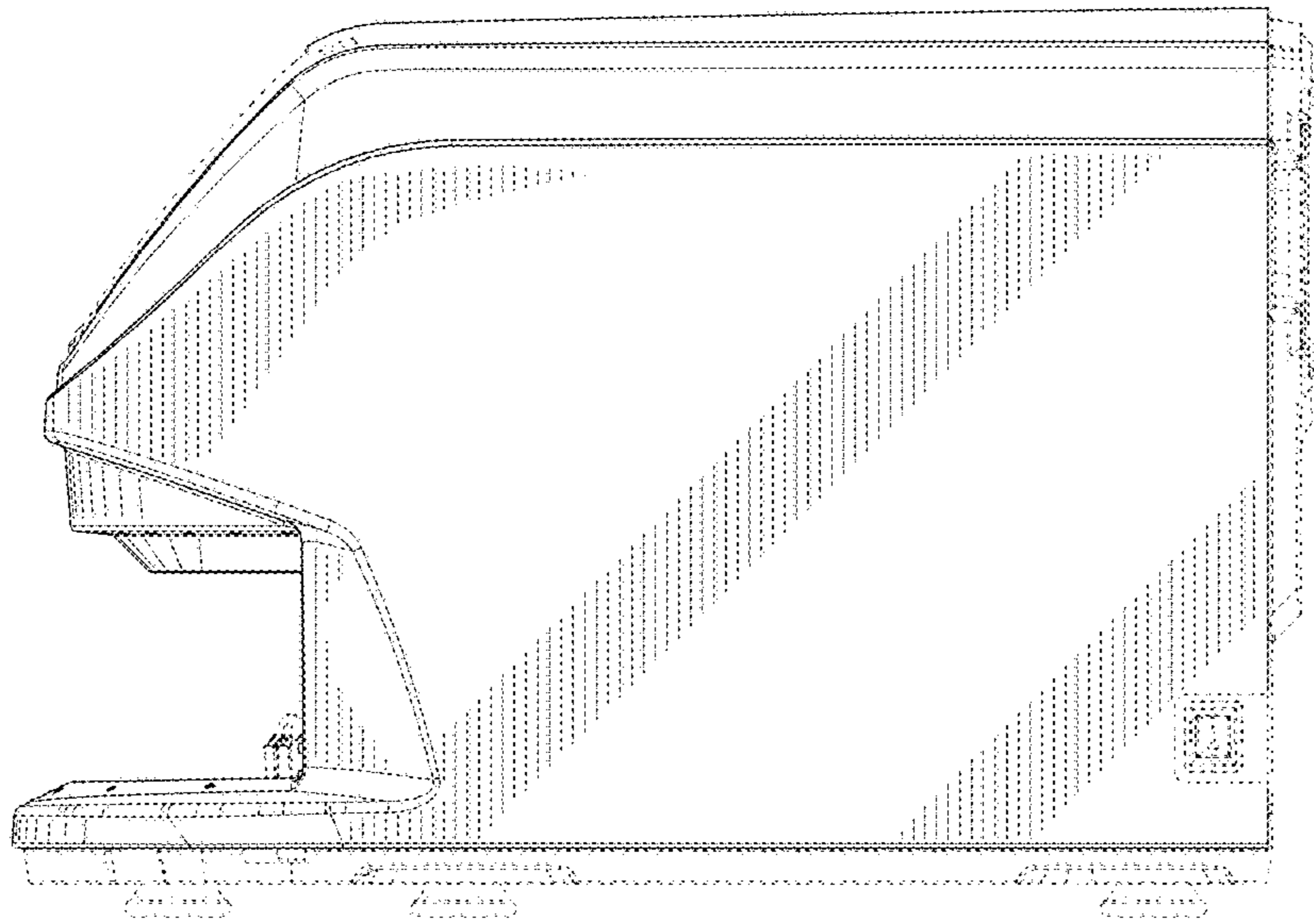


FIG. 6

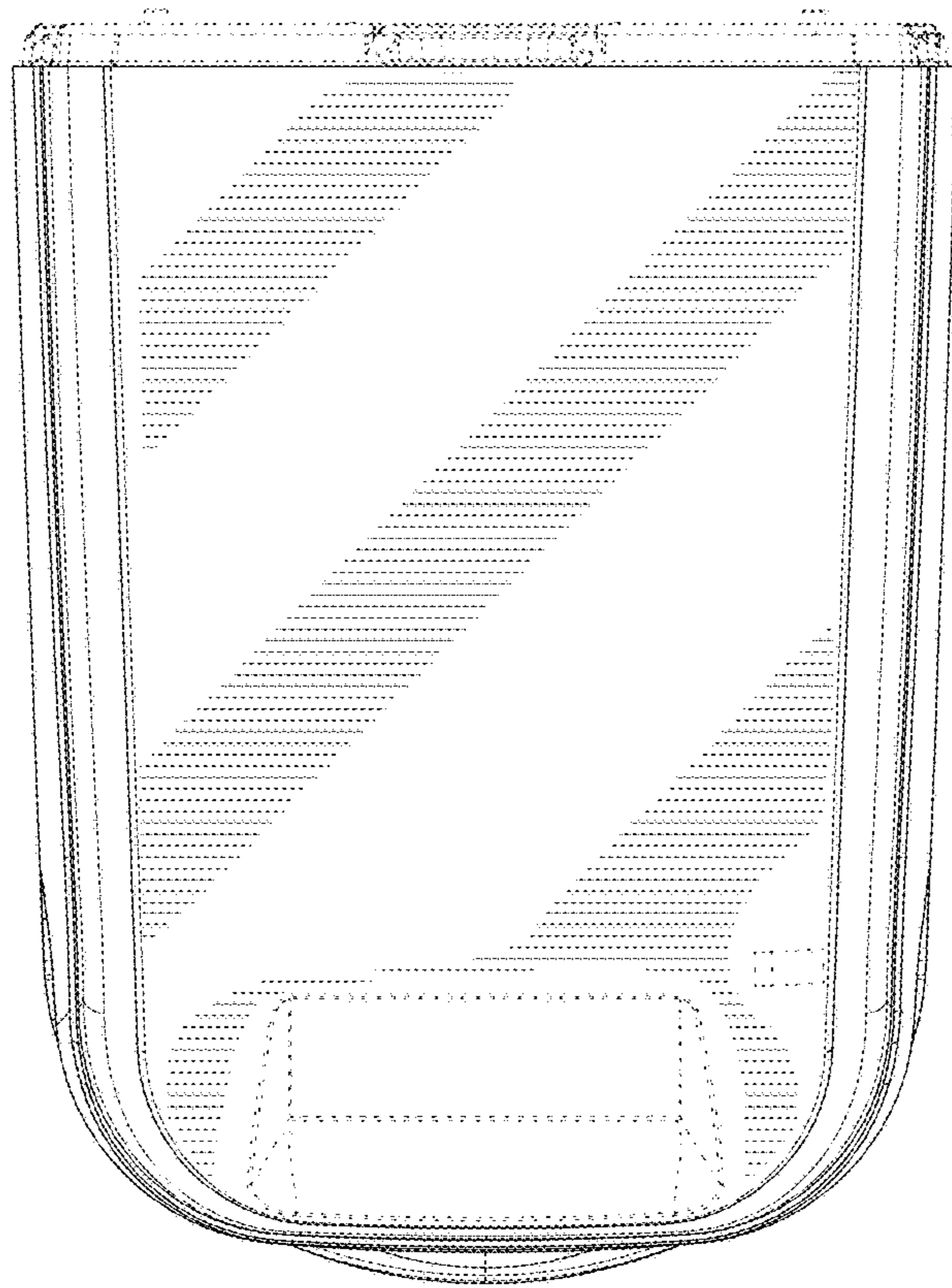


FIG. 7

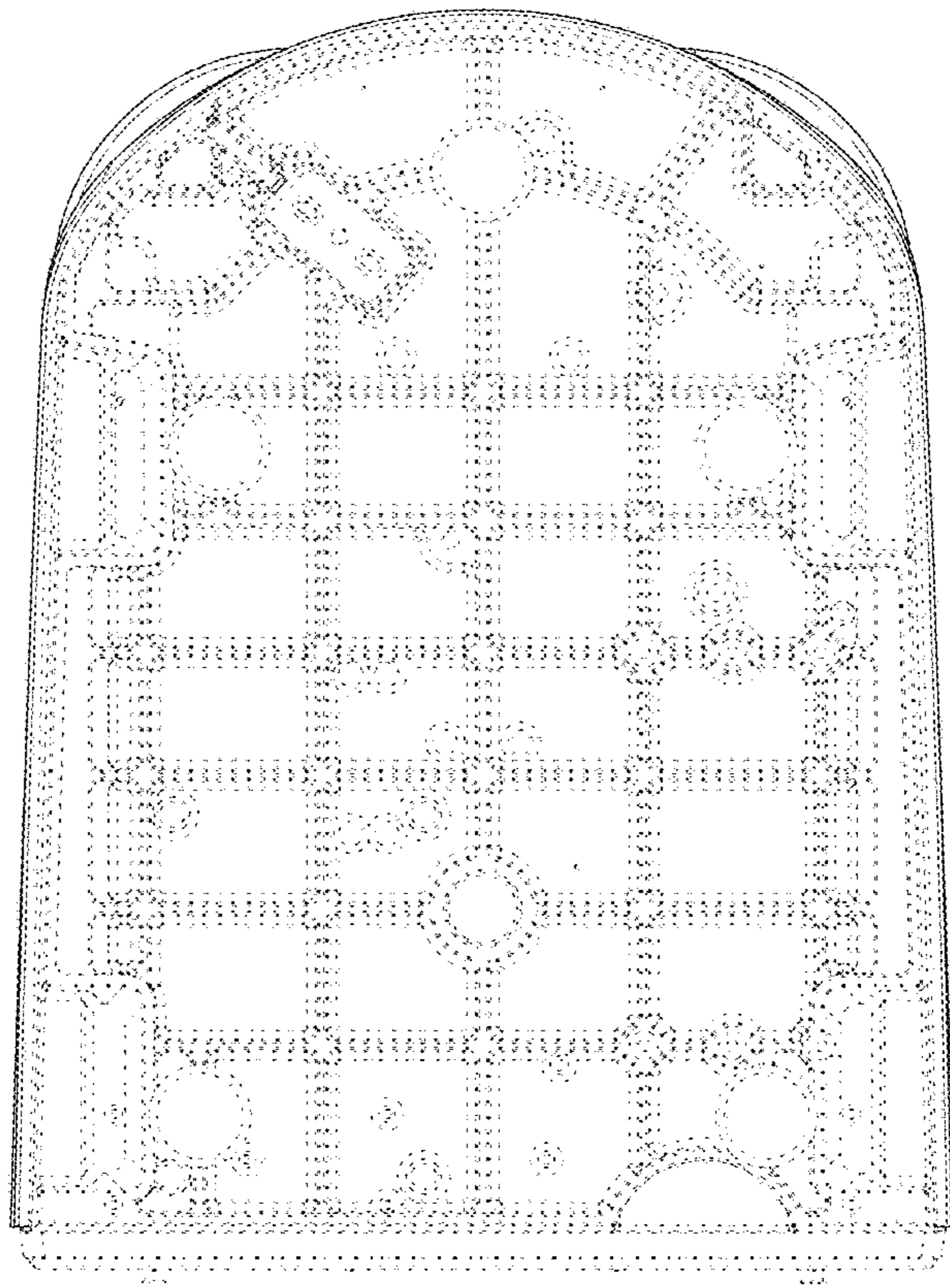


FIG. 8