



US00D853578S

(12) **United States Design Patent** (10) **Patent No.:** **US D853,578 S**
Tomljenovic (45) **Date of Patent:** **** Jul. 9, 2019**

(54) **MASSAGER**

(56) **References Cited**

(71) Applicant: **Vlado Tomljenovic**, Zagreb (HR)

U.S. PATENT DOCUMENTS

(72) Inventor: **Vlado Tomljenovic**, Zagreb (HR)

D382,646 S *	8/1997	Shalvi	D24/200
D556,332 S *	11/2007	Han	D24/200
D649,657 S *	11/2011	Petersen	D24/215
D669,592 S *	10/2012	Peddicord	D24/215
D716,466 S *	10/2014	Kanbar	A61H 19/40
			D24/215
RE45,585 E *	6/2015	Peddicord	D24/215
RE46,163 E *	9/2016	Peddicord	D24/215
D802,784 S *	11/2017	Lee	D24/215
D822,843 S *	7/2018	Lenke	D24/215
D827,843 S *	9/2018	Bainton	D24/200

(**) Term: **15 Years**

(21) Appl. No.: **35/504,645**

(22) Filed: **Dec. 18, 2017**

(80) **Hague Agreement Data**

Int. Filing Date: **Dec. 18, 2017**

Int. Reg. No.: **DM/100209**

Int. Reg. Date: **Dec. 18, 2017**

Int. Reg. Pub. Date: **Mar. 23, 2018**

(51) **LOC (11) Cl.** **28-03**

(52) **U.S. Cl.**
USPC **D24/215**

(58) **Field of Classification Search**
USPC D24/215
CPC A61H 1/0266; A61H 2015/0007; A61H 2015/0014; A61H 2015/0042; A61H 2015/0035; A61H 15/00; A61H 19/00; A61H 19/30; A61H 19/32; A61H 19/34; A61H 19/40; A61H 19/44; A61H 19/50; A61H 21/00

See application file for complete search history.

* cited by examiner

Primary Examiner — Michael A. Pratt
(74) *Attorney, Agent, or Firm* — Lucas & Mercanti, LLP

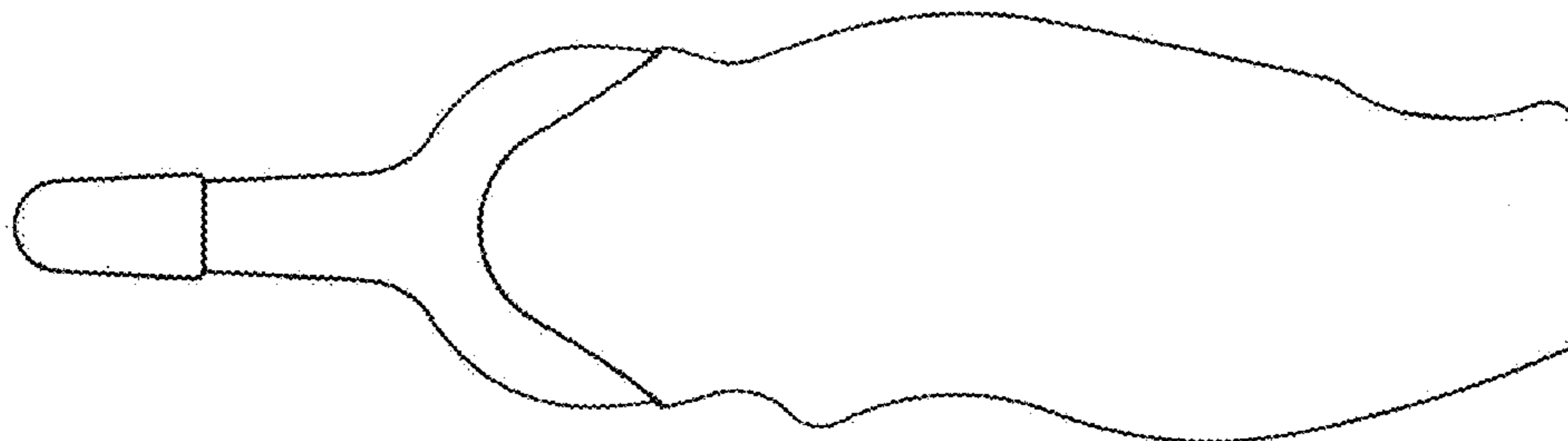
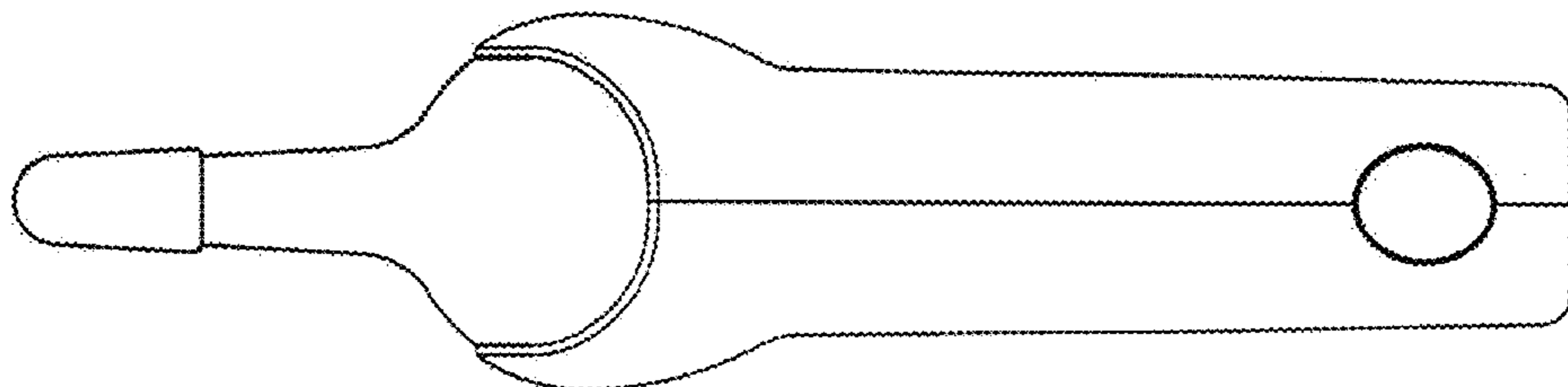
(57) **CLAIM**

The ornamental design for a massager, as shown and described.

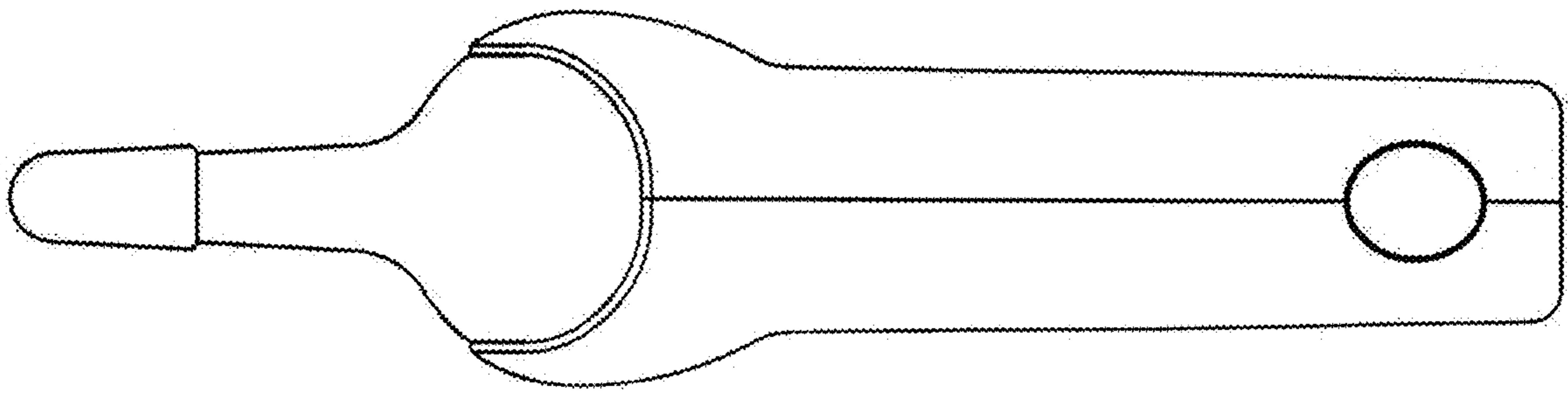
DESCRIPTION

- 2. Massagers
- 2.1 : Perspective
- 2.2 : Left
- 2.3 : Right
- 2.4 : Back

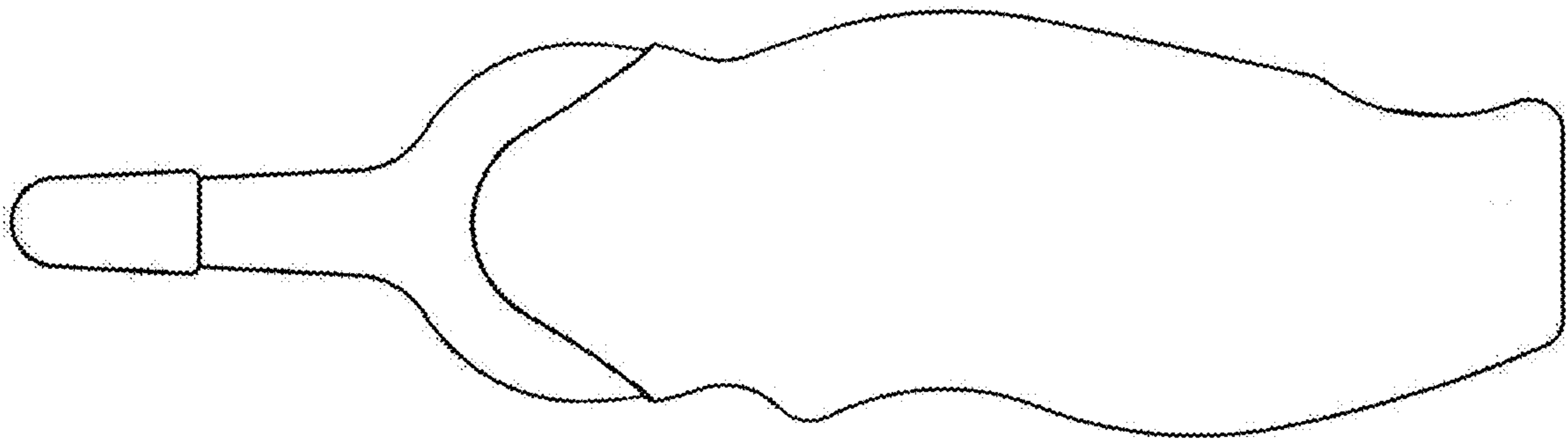
1 Claim, 4 Drawing Sheets



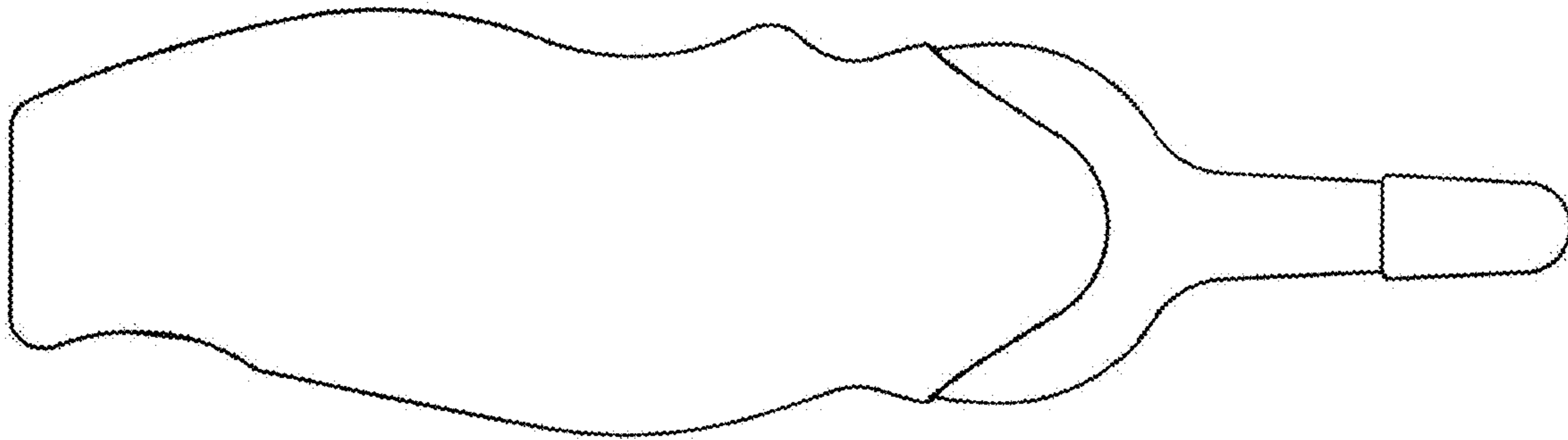
2.1



2.2



2.3



2.4

