



US00D853575S

(12) **United States Design Patent**
Fleming

(10) **Patent No.:** **US D853,575 S**

(45) **Date of Patent:** **** Jul. 9, 2019**

(54) **THERAPEUTIC DEVICE FOR LOCALIZED HEADACHE AND PAIN TREATMENT**

(71) Applicant: **David S. Fleming**, Boca Raton, FL (US)

(72) Inventor: **David S. Fleming**, Boca Raton, FL (US)

(73) Assignee: **David S. Fleming**, Boca Raton, FL (US)

(**) Term: **15 Years**

(21) Appl. No.: **29/574,501**

(22) Filed: **Aug. 16, 2016**

(51) **LOC (11) Cl.** **28-03**

(52) **U.S. Cl.**

USPC **D24/211**

(58) **Field of Classification Search**

USPC D24/200, 211, 212, 213, 214, 215, 188, D24/191; 601/19, 22, 40, 46, 52, 63, 99, 601/110–113, 118–120, 125, DIG. 12, 601/DIG. 14, DIG. 15, DIG. 16, DIG. 17
CPC A61H 1/00; A61H 2015/0007; A61H 2015/0014; A61H 2015/0042; A61H 15/00; A61H 11/00; A61H 21/00; A61H 37/00

See application file for complete search history.

(56) **References Cited**

U.S. PATENT DOCUMENTS

D82,677 S * 12/1930 Heyer D24/214
2,836,175 A * 5/1958 Nakayama A61H 7/003
601/135
3,625,204 A * 12/1971 Sekiguchi A61H 7/003
601/134
3,645,257 A * 2/1972 Nakayama A61H 7/003
601/135

3,672,355 A * 6/1972 Ogawa A61H 23/0263
601/135
3,831,592 A * 8/1974 Lancellotti A61H 39/04
601/135
4,210,134 A * 7/1980 Okazaki A61H 39/04
5/421

(Continued)

OTHER PUBLICATIONS

Hiren, “Most Important Acupressure Points for Headache and Migraine,” Acupressure Points Guide, 2014.

(Continued)

Primary Examiner — Sandra S Snapp

(74) *Attorney, Agent, or Firm* — Pillsbury Winthrop Shaw Pittman LLP

(57) **CLAIM**

The ornamental design for a therapeutic device for localized headache and pain treatment, as shown and described.

DESCRIPTION

FIG. 1 is a perspective view of a therapeutic device for localized headache and pain treatment embodying an aspect of the design;

FIG. 2 is a front view of the therapeutic device of FIG. 1;

FIG. 3 is a left view of the therapeutic device of FIG. 1;

FIG. 4 is a right view of the therapeutic device of FIG. 1;

FIG. 5 is a back view of the therapeutic device of FIG. 1;

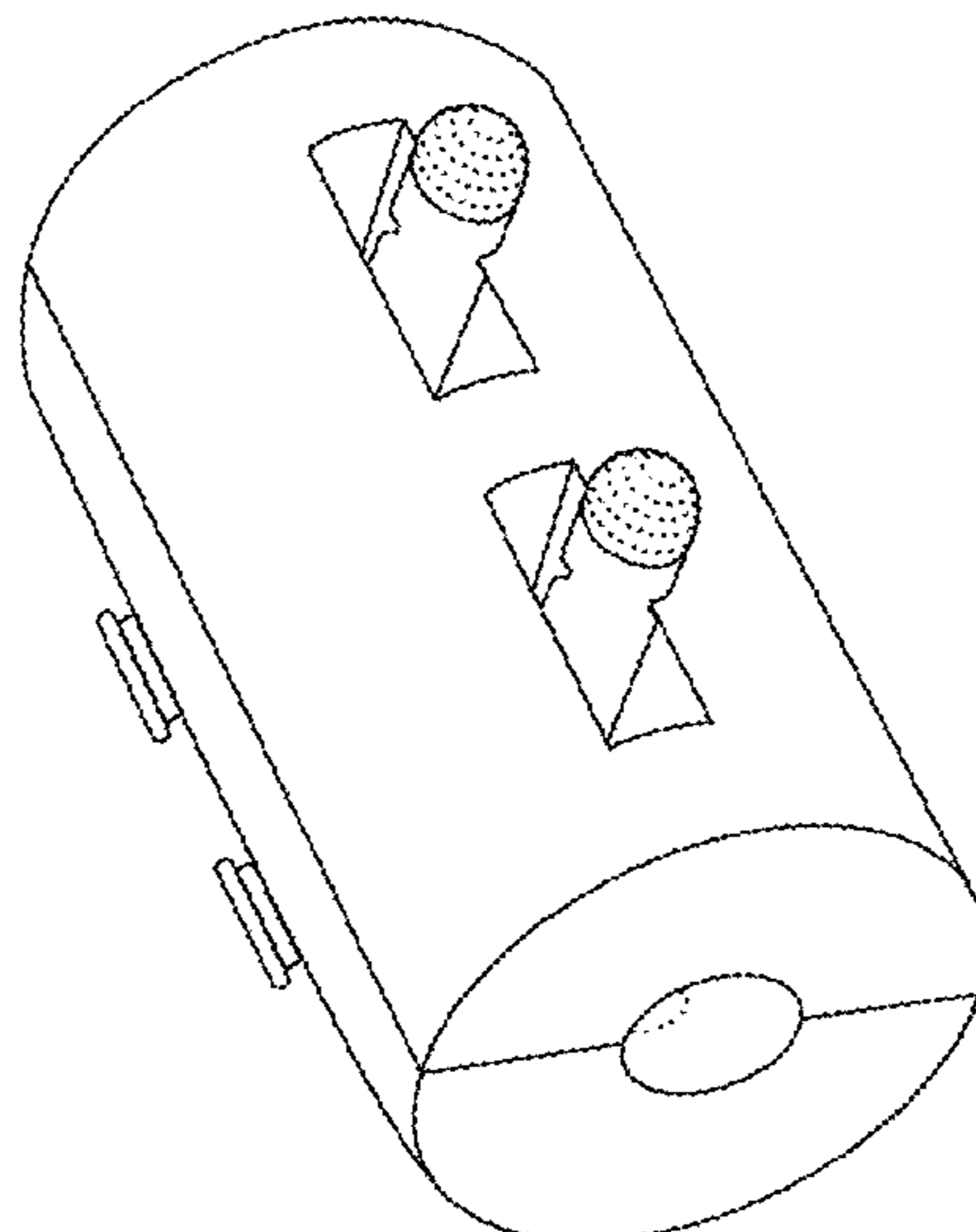
FIG. 6 is a top side view of the therapeutic device of FIG. 1;

FIG. 7 is a bottom side view of the therapeutic device of FIG. 1; and,

FIG. 8 is a side view of the therapeutic device of FIG. 1 configured for use.

In the drawings, the broken lines depicting portions of the therapeutic device for localized headache and pain treatment form no part of the claimed design; all other broken lines depict unclaimed environmental subject matter and form no part of the claimed design.

1 Claim, 8 Drawing Sheets



(56)

References Cited

U.S. PATENT DOCUMENTS

4,233,966 A * 11/1980 Takahashi A61H 39/04
601/134

4,509,521 A 4/1985 Barry

4,944,289 A 7/1990 Matthews

D353,008 S * 11/1994 Van Harn D24/200

5,405,311 A * 4/1995 Pecora A61H 7/001
601/133

D359,358 S * 6/1995 Pecora D24/211

5,792,174 A 8/1998 Ioan

5,820,573 A * 10/1998 Ramos A61H 7/001
601/134

5,843,005 A * 12/1998 Chubinsky A61H 7/003
601/15

5,899,868 A * 5/1999 VandeBerg A61H 33/6089
601/134

5,935,090 A * 8/1999 Kennon A61H 15/0092
601/118

D413,985 S * 9/1999 Martin D24/211

6,013,042 A * 1/2000 Sakai A61H 7/001
5/648

6,217,121 B1 * 4/2001 Mollet A47C 23/002
297/452.21

6,315,743 B1 11/2001 Guest

D463,029 S * 9/2002 Collins D24/211

6,632,187 B2 * 10/2003 Bak A61H 7/001
601/134

D492,037 S * 6/2004 Chien D24/211

6,821,260 B2 * 11/2004 Fors A61H 7/00
601/115

7,320,668 B1 * 1/2008 Warder A61H 7/001
601/136

7,458,945 B2 * 12/2008 Zemont A61H 15/0092
601/131

D586,470 S * 2/2009 Warder D24/211

7,732,966 B2 * 6/2010 Sivasubramaniam .. F01D 15/10
310/178

7,998,099 B2 8/2011 Tull et al.

D646,793 S * 10/2011 Wagner D24/211

D673,284 S * 12/2012 Lowsky A61H 19/44
D24/214

D698,934 S * 2/2014 Manseau D24/215

D701,613 S * 3/2014 Twiggs D24/215

D711,009 S * 8/2014 Wong A61H 7/00
D24/215

D719,664 S * 12/2014 Riftin A61H 19/34
D24/211

D726,840 S * 4/2015 Lorelli A61F 2/005
D21/662

9,649,246 B1 * 5/2017 Johnson A61H 15/00

D788,933 S * 6/2017 Sitsihovskiy D24/211

D818,139 S * 5/2018 Marshall D24/211

D825,770 S * 8/2018 Siemer D24/211

2008/0109960 A1 5/2008 Brown et al.

2015/0110903 A1 4/2015 Khan et al.

OTHER PUBLICATIONS

Perry, Philip, "Scientists May Have Discovered What Causes Migraines and a Path Toward a Cure," Jul. 13, 2016.

Rolyan® Occipital Base Release Board, 1987, Revised 1/90, 1/12, 2 pages, Patterson Medical Products, Inc.

* cited by examiner

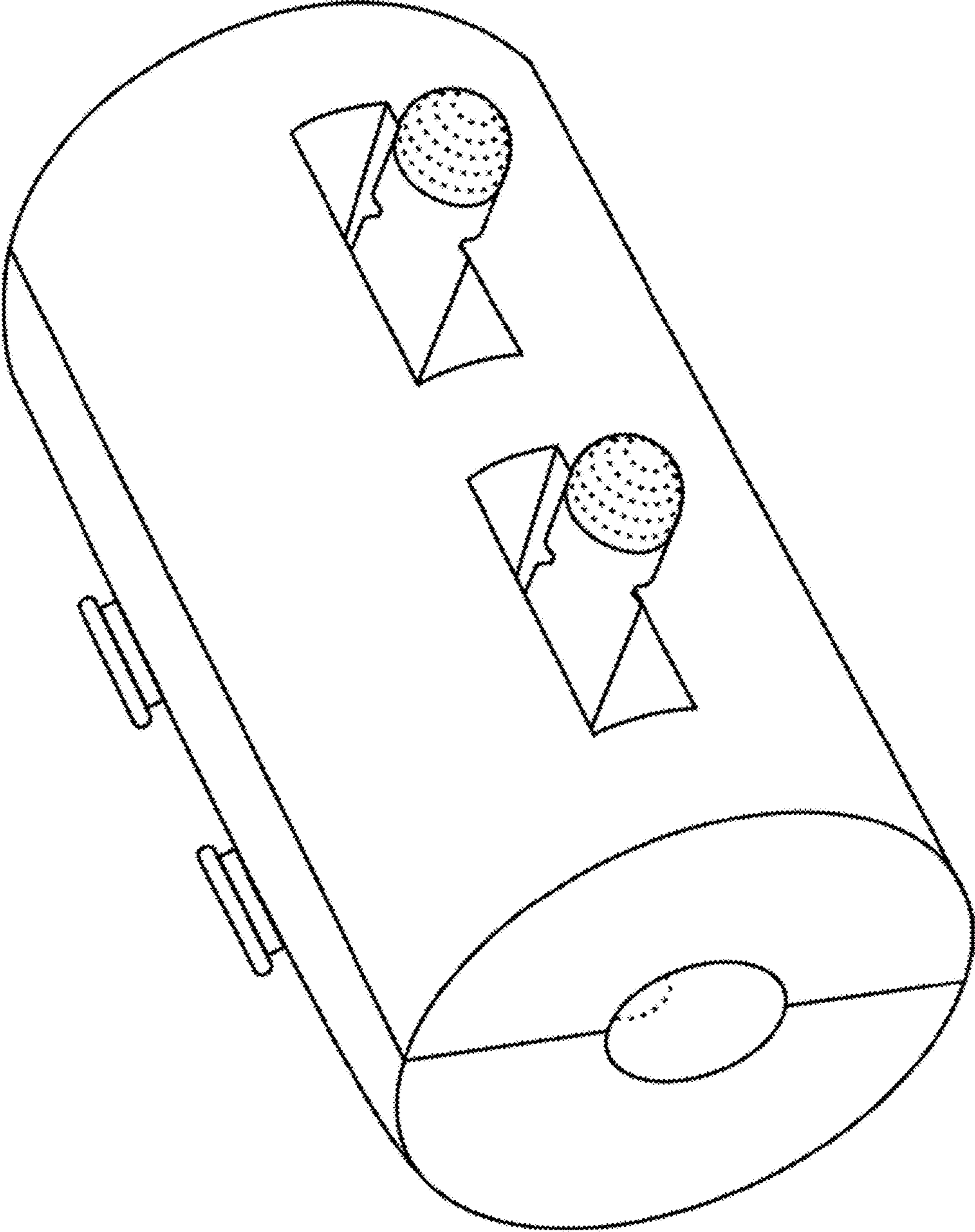


FIG. 1

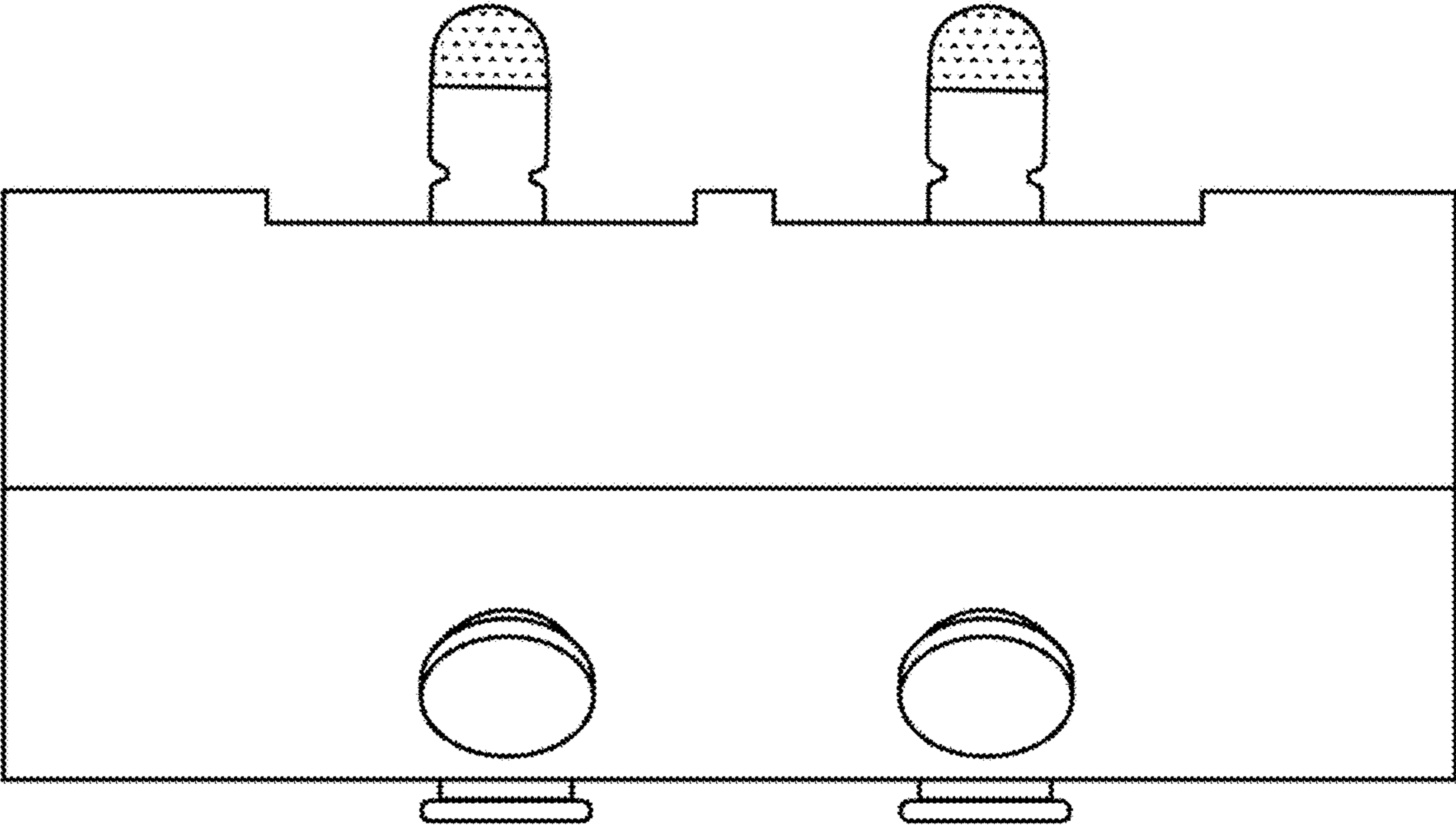


FIG. 2

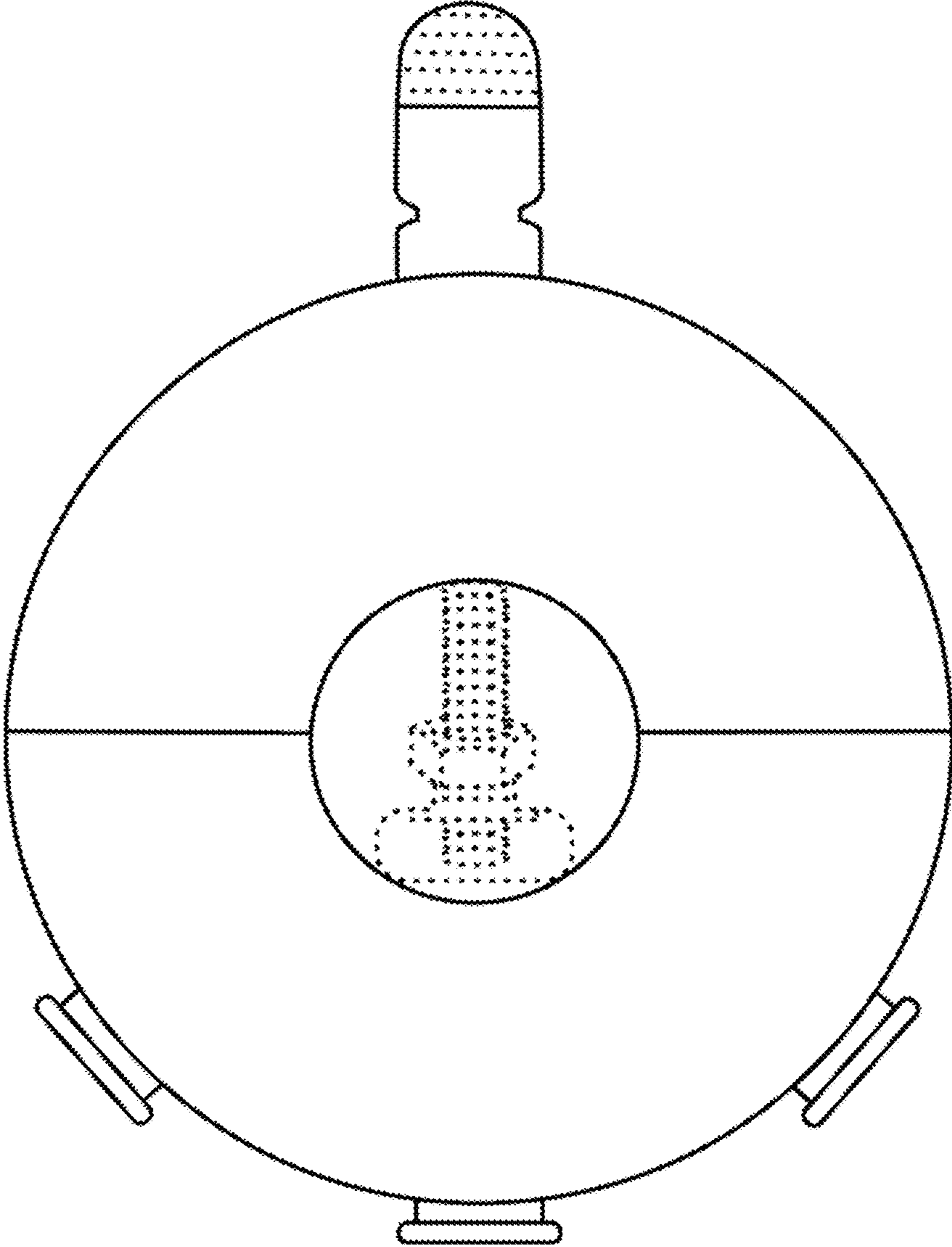


FIG. 3

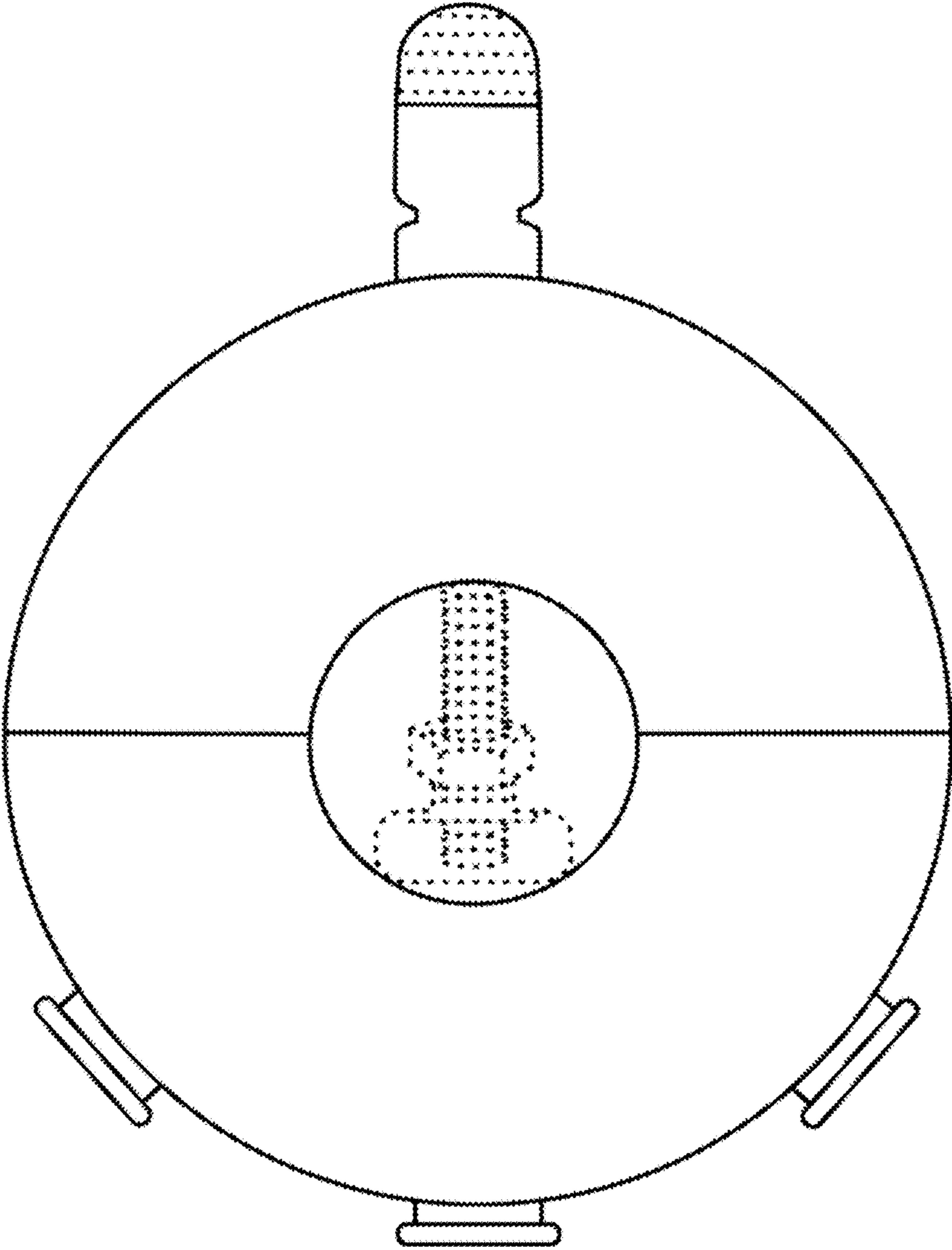


FIG. 4

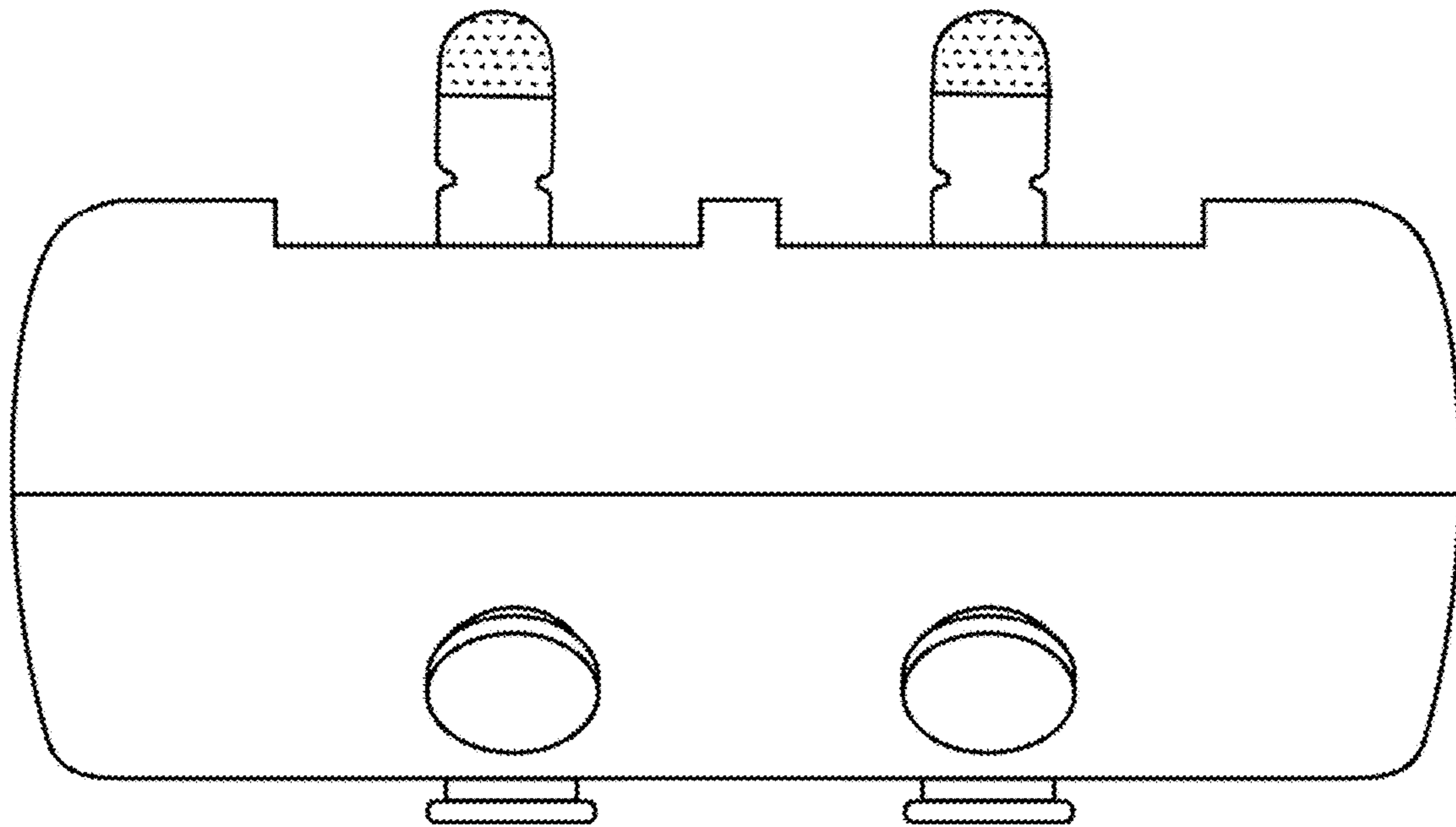


FIG. 5

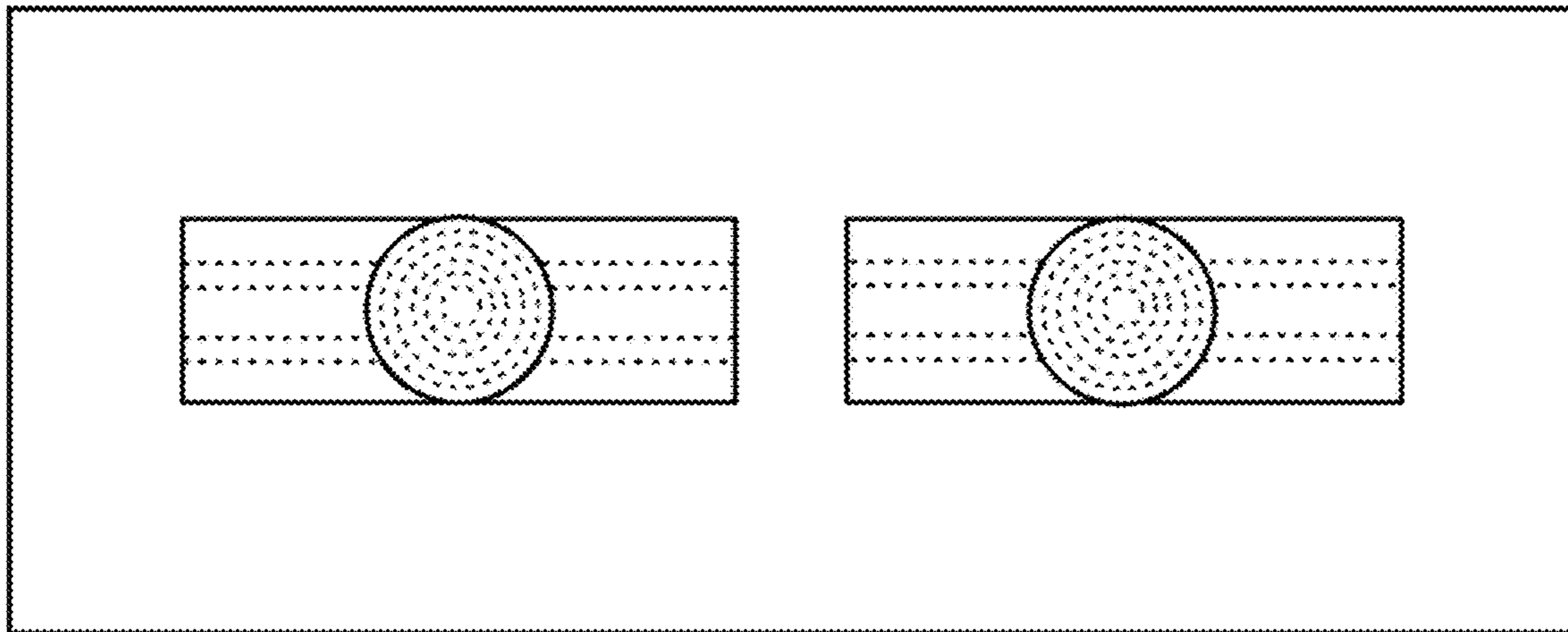


FIG. 6

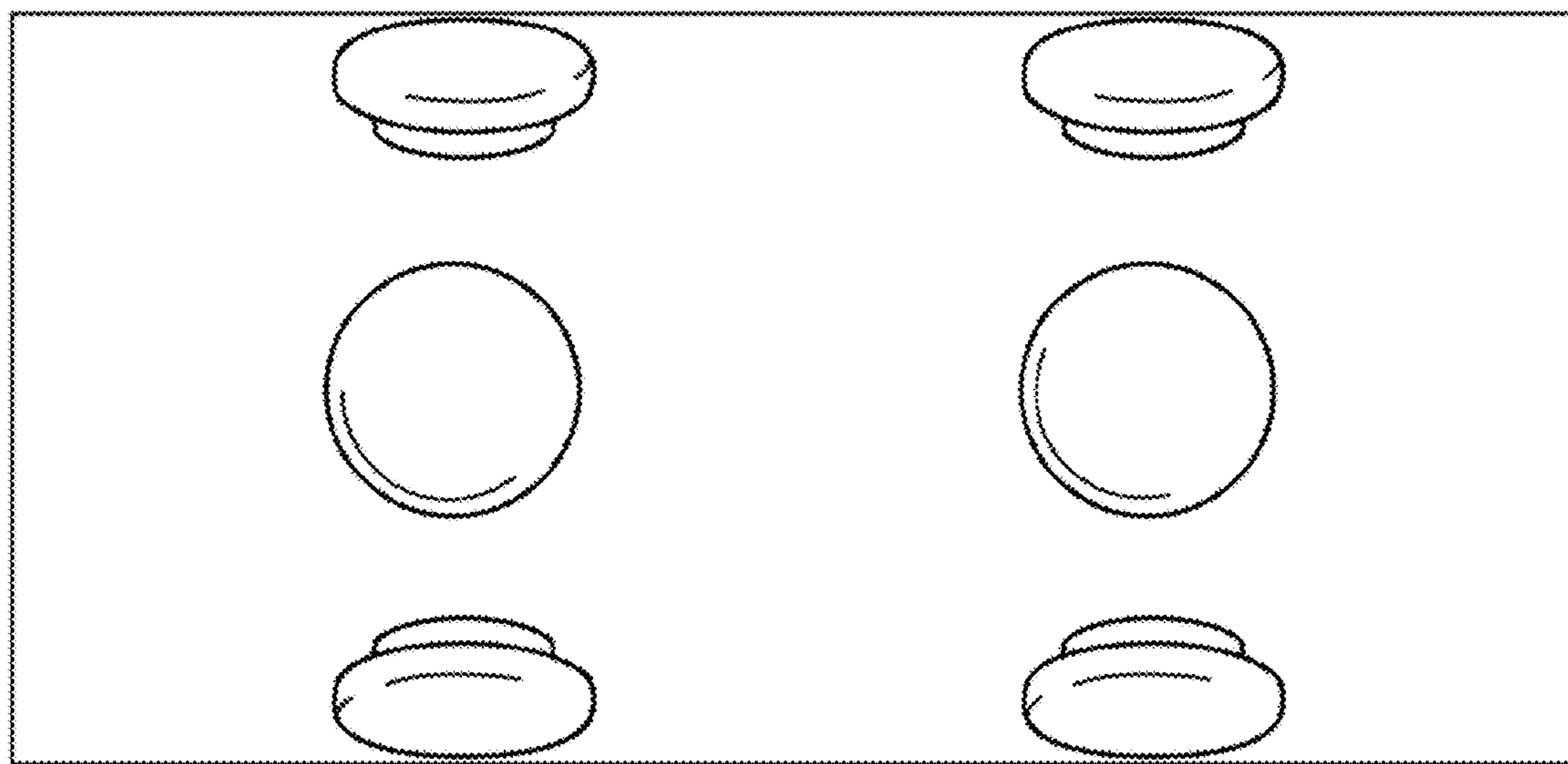


FIG. 7

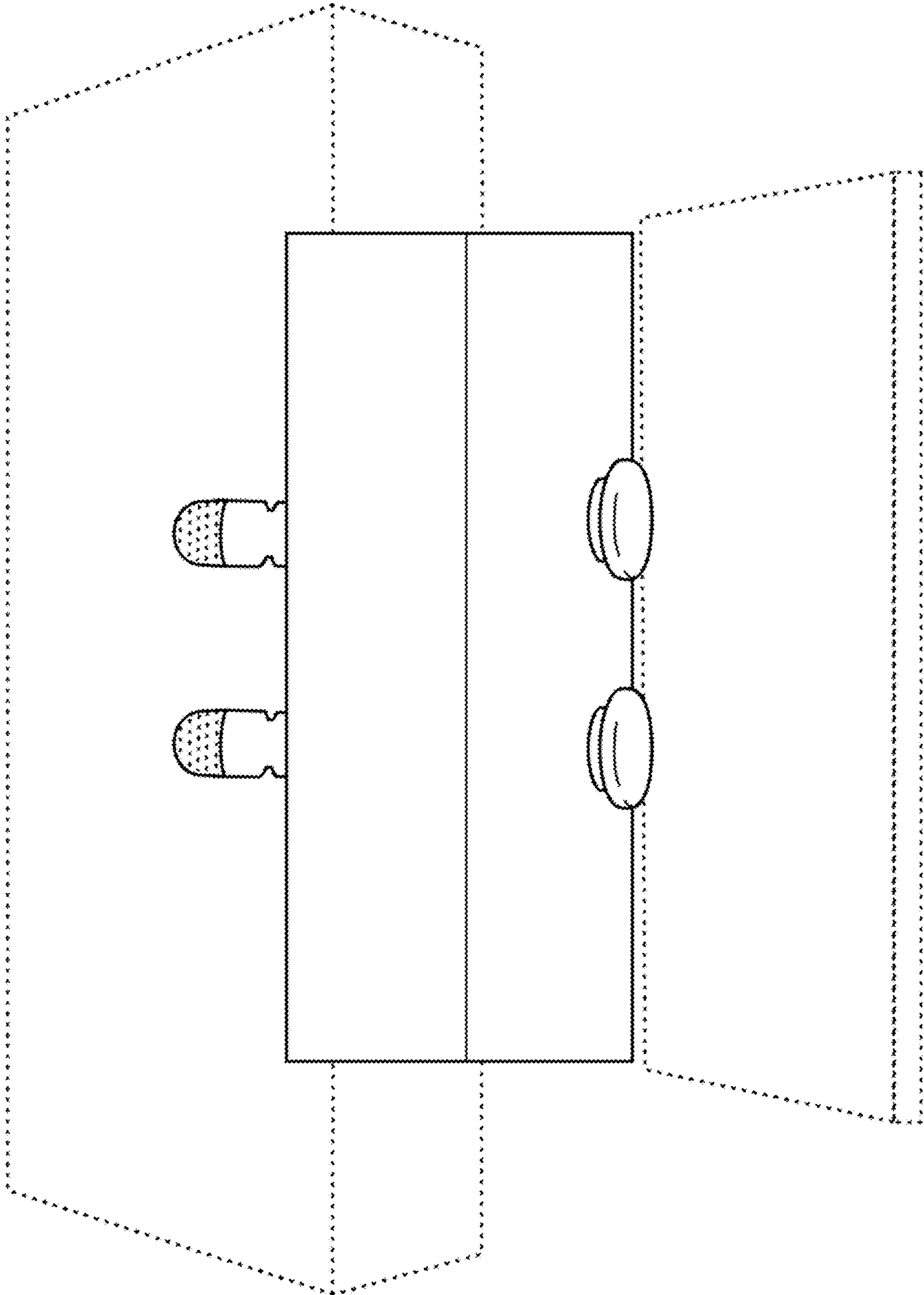


FIG. 8