

US00D853574S

(12) **United States Design Patent** (10) **Patent No.:** **US D853,574 S**
Pribila (45) **Date of Patent:** **** Jul. 9, 2019**

(54) **FOUR-WAY NECK EXERCISING HARNESS**
(71) Applicant: **Anthony P. Pribila**, Lakeland, FL (US)
(72) Inventor: **Anthony P. Pribila**, Lakeland, FL (US)
(73) Assignee: **Pribila Performance, Inc.**, Lakeland, FL (US)
(**) Term: **15 Years**

5,336,139 A 8/1994 Miller
D389,584 S * 1/1998 Leventhal D24/200
5,984,836 A * 11/1999 Casali A63B 21/4025
482/10
6,106,437 A 8/2000 Brooks
8,840,528 B2 * 9/2014 Zylstra A63B 21/0442
482/10
9,555,283 B2 * 1/2017 Jolly A63B 23/025
9,789,350 B1 * 10/2017 Wu A63B 23/025
9,901,775 B2 * 2/2018 Sykes A63B 23/025

* cited by examiner

(21) Appl. No.: **29/644,772**
(22) Filed: **Apr. 20, 2018**
(51) **LOC (11) Cl.** **24-01**
(52) **U.S. Cl.**
USPC **D24/200**
(58) **Field of Classification Search**
USPC D24/200, 191; D29/101.2; D21/662,
D21/683, 694; 482/10, 92-93, 101, 124;
601/39; 602/17-18, 34-36
CPC . A63B 23/025; A63B 21/0442; A63B 21/068;
A63B 21/4025; A63B 21/4045; A63B
21/4003; A63B 21/4039; A63B 21/4043
See application file for complete search history.

Primary Examiner — Wan Laymon
(74) *Attorney, Agent, or Firm* — Larson & Larson, P.A.;
Frank Liebenow; Justin P. Miller

(57) **CLAIM**

The ornamental design for a four-way neck exercising harness, as shown and described.

DESCRIPTION

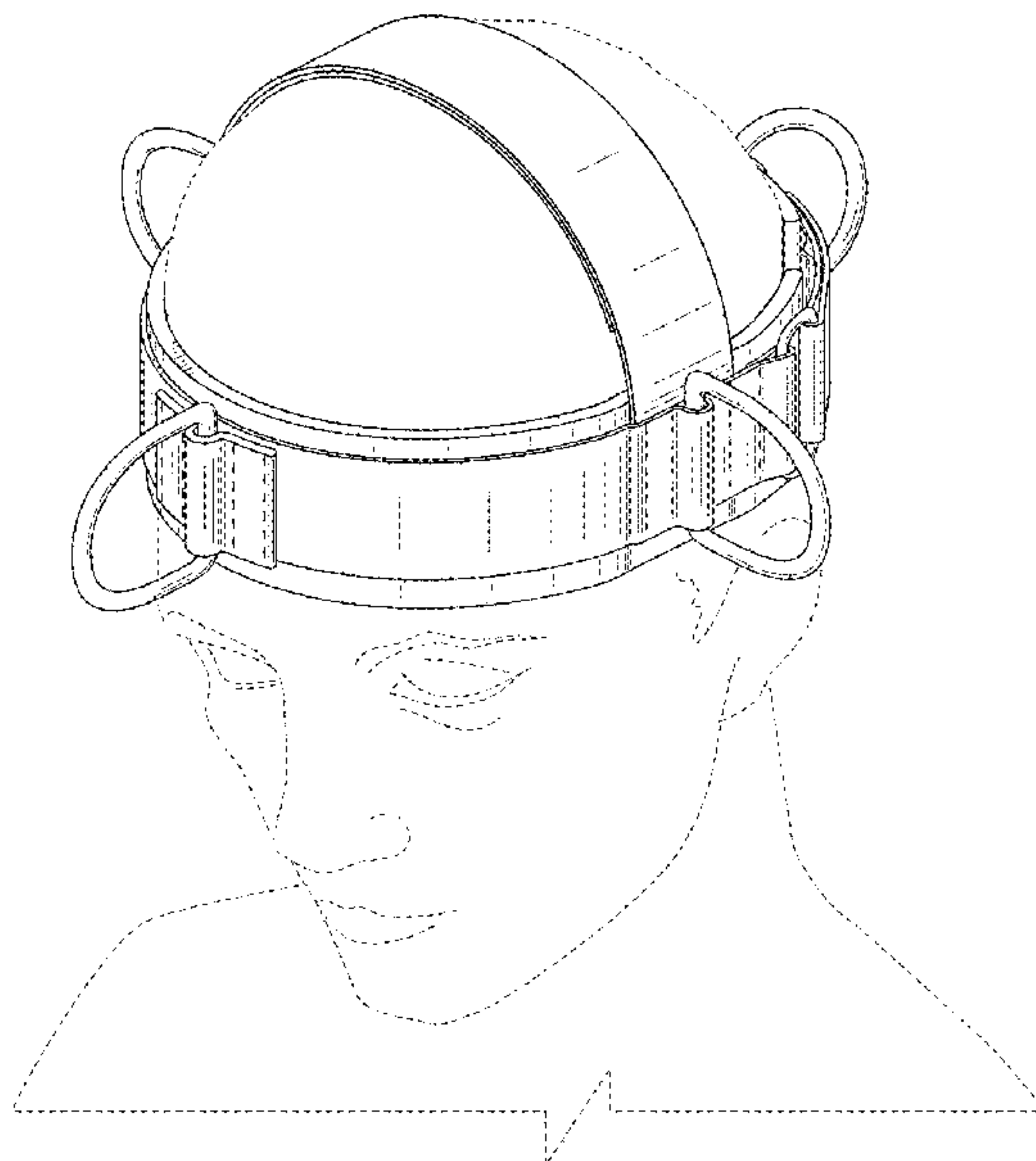
FIG. 1 is a perspective view of a four-way neck exercising harness showing my new design;
FIG. 2 is a front elevation view thereof;
FIG. 3 is a rear elevation view thereof;
FIG. 4 is a left side elevation view thereof;
FIG. 5 is a right side elevation view thereof;
FIG. 6 is a top plan view thereof;
FIG. 7 is a bottom plan view thereof; and,
FIG. 8 is a perspective view thereof showing how the four-way neck exercising harness is used.
Portions of the four-way neck exercising harness shown in broken lines and the head in FIG. 8 form no part of the claimed design.

(56) **References Cited**

U.S. PATENT DOCUMENTS

559,270 A 4/1896 Edwards
1,543,346 A * 6/1925 Titus A63B 23/025
482/10
2,855,202 A * 10/1958 Kinne A63B 23/025
482/10
4,537,393 A * 8/1985 Kusch A63B 23/025
482/10
5,162,027 A * 11/1992 Robinson A63B 23/025
482/10
5,242,347 A 9/1993 Keeton

1 Claim, 7 Drawing Sheets



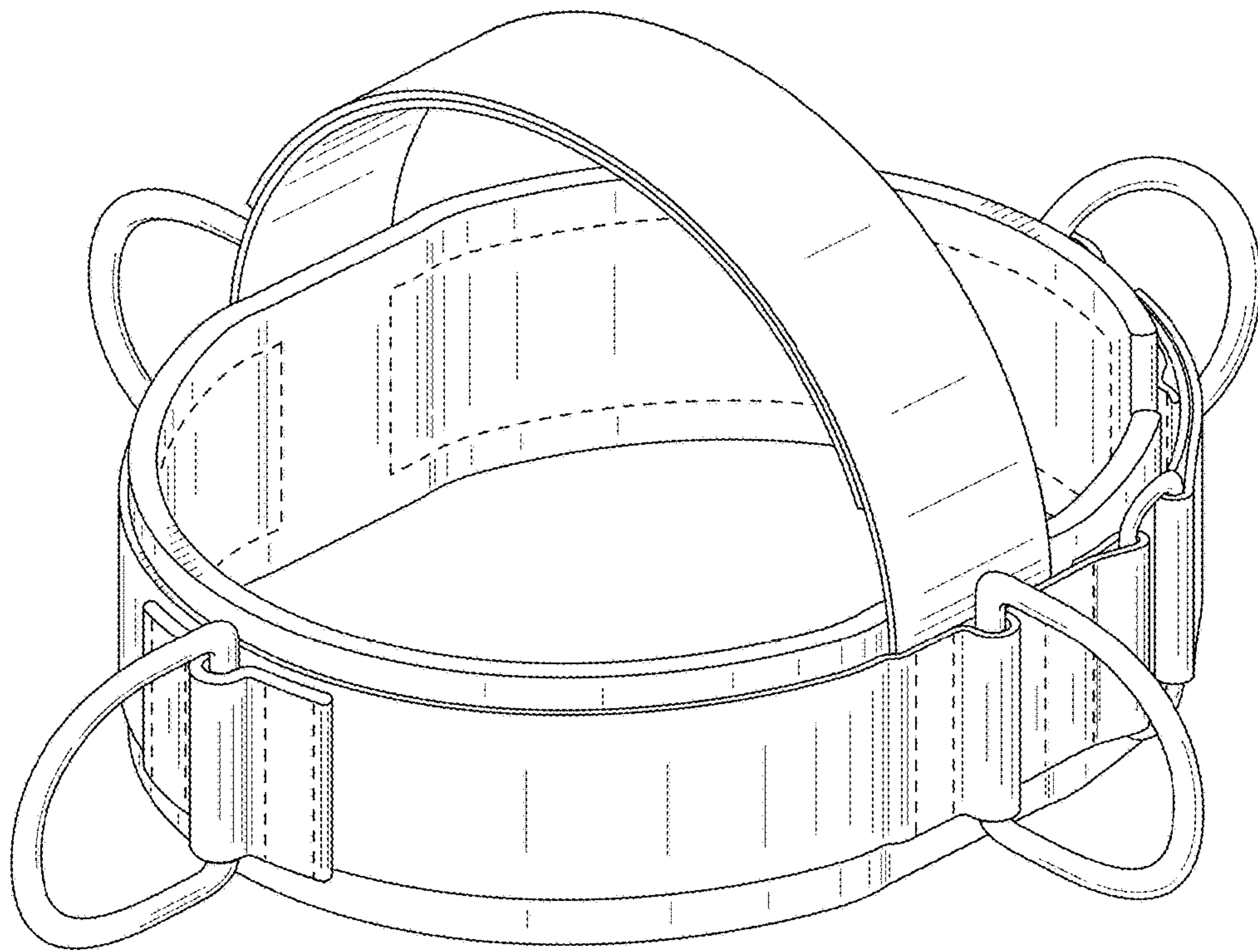


FIG. 1

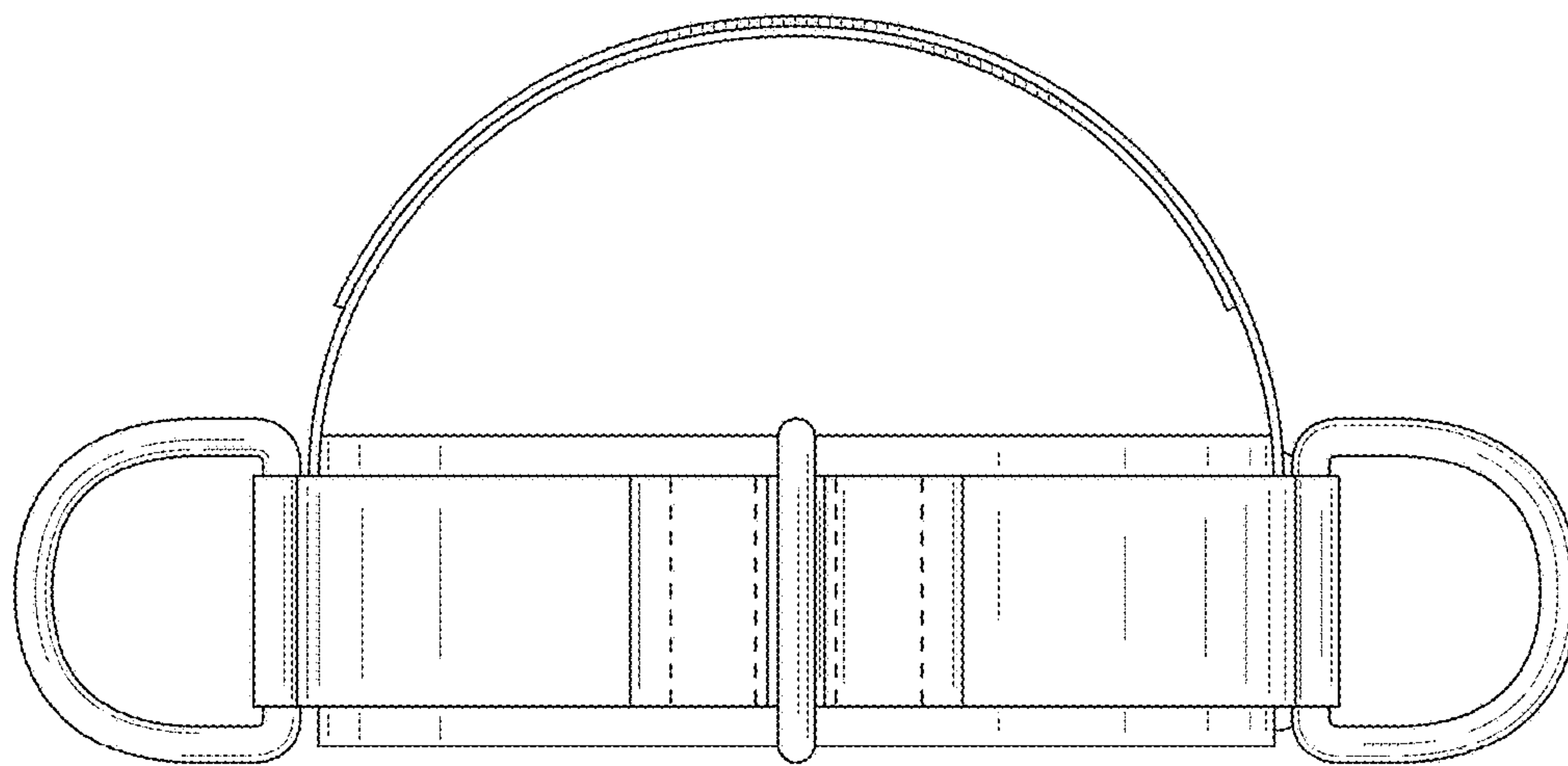


FIG. 2

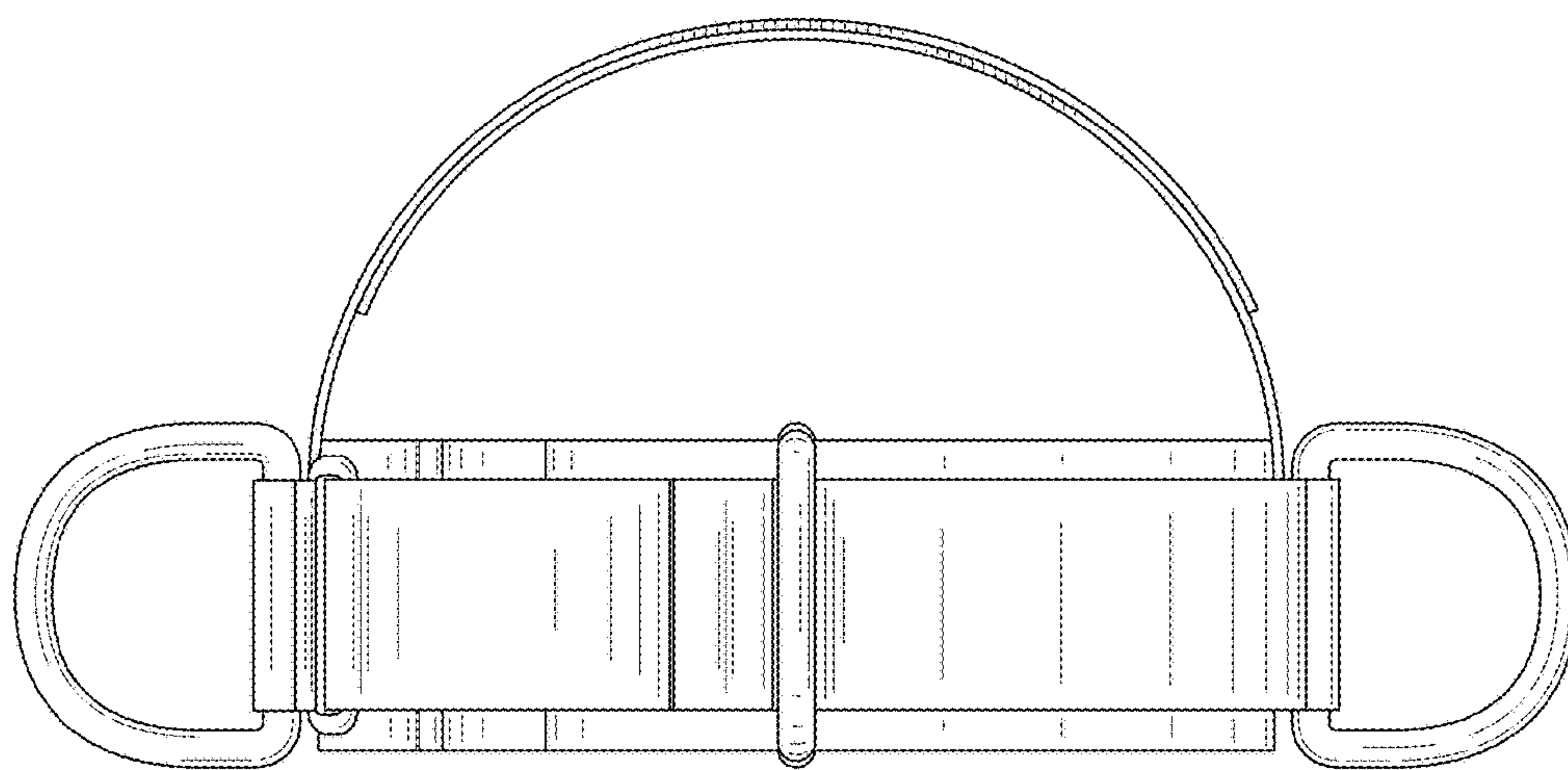


FIG. 3

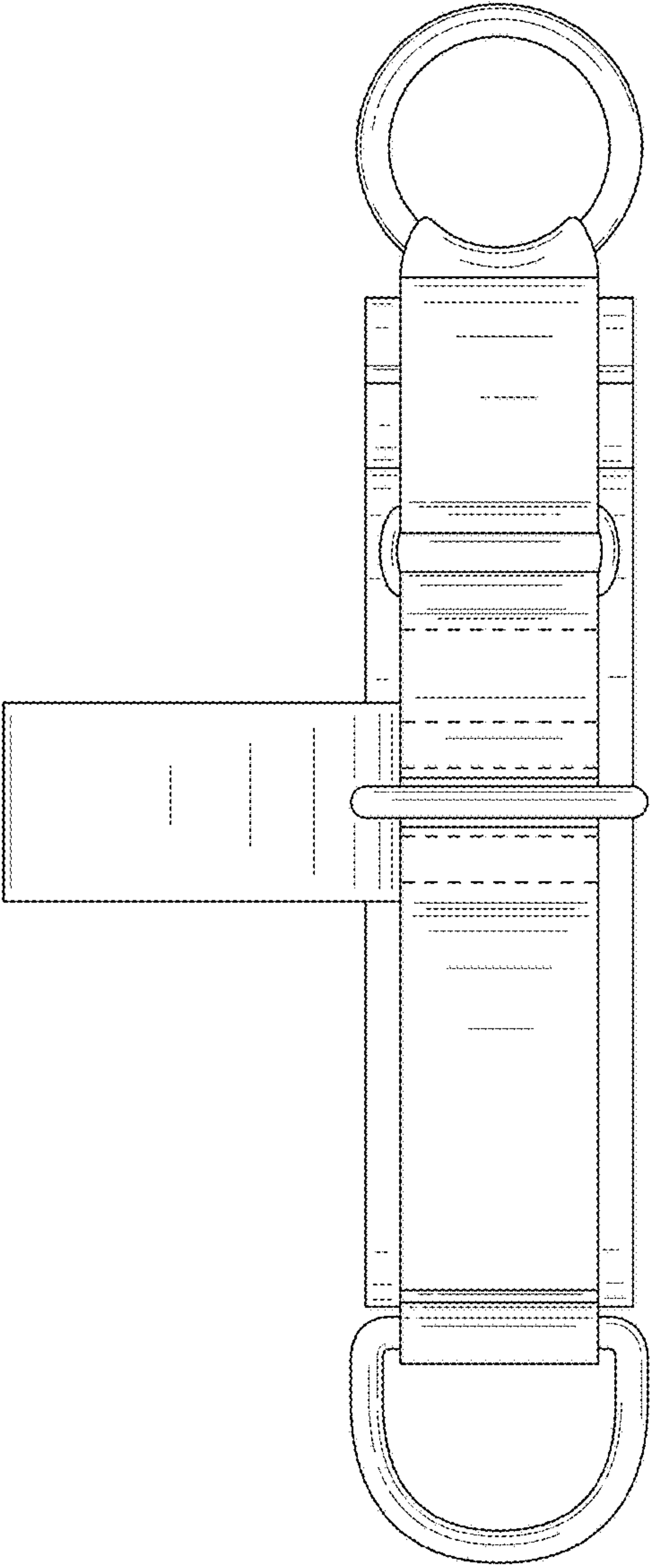


FIG. 4

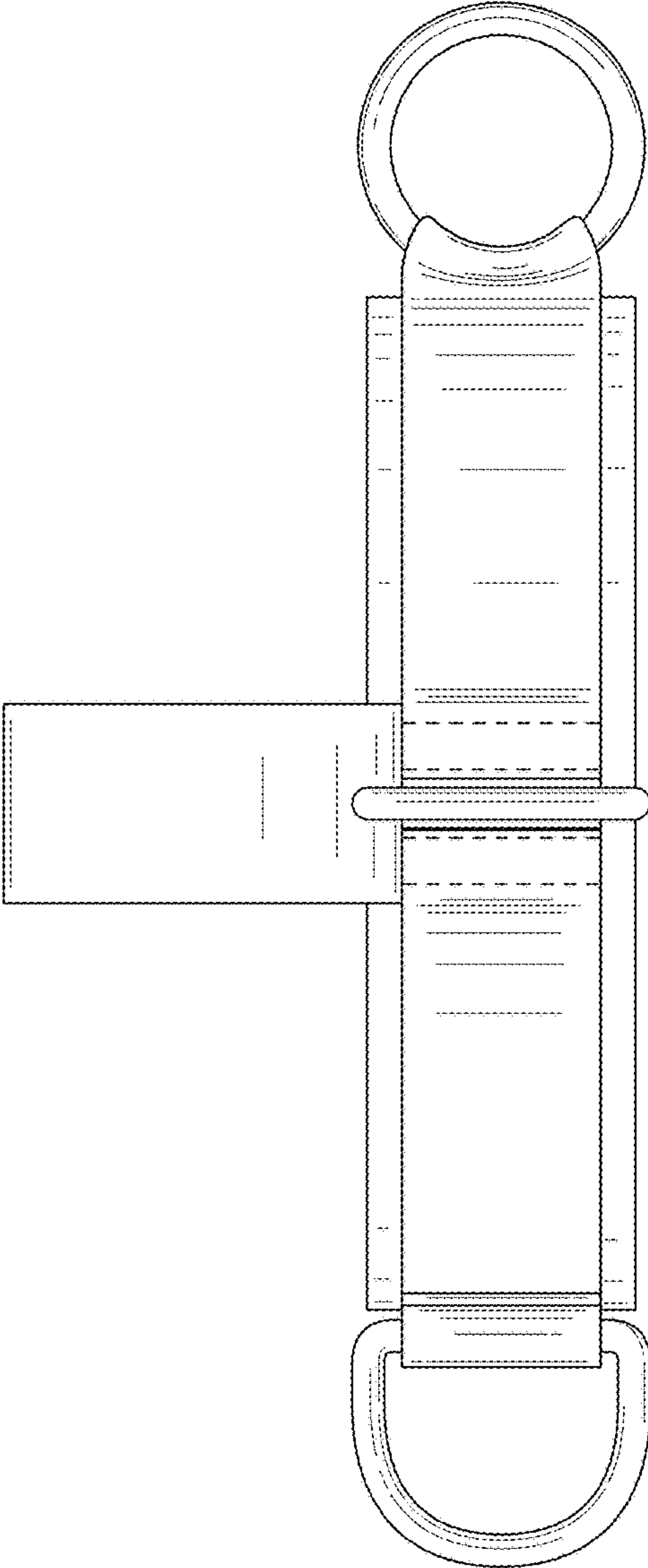


FIG. 5

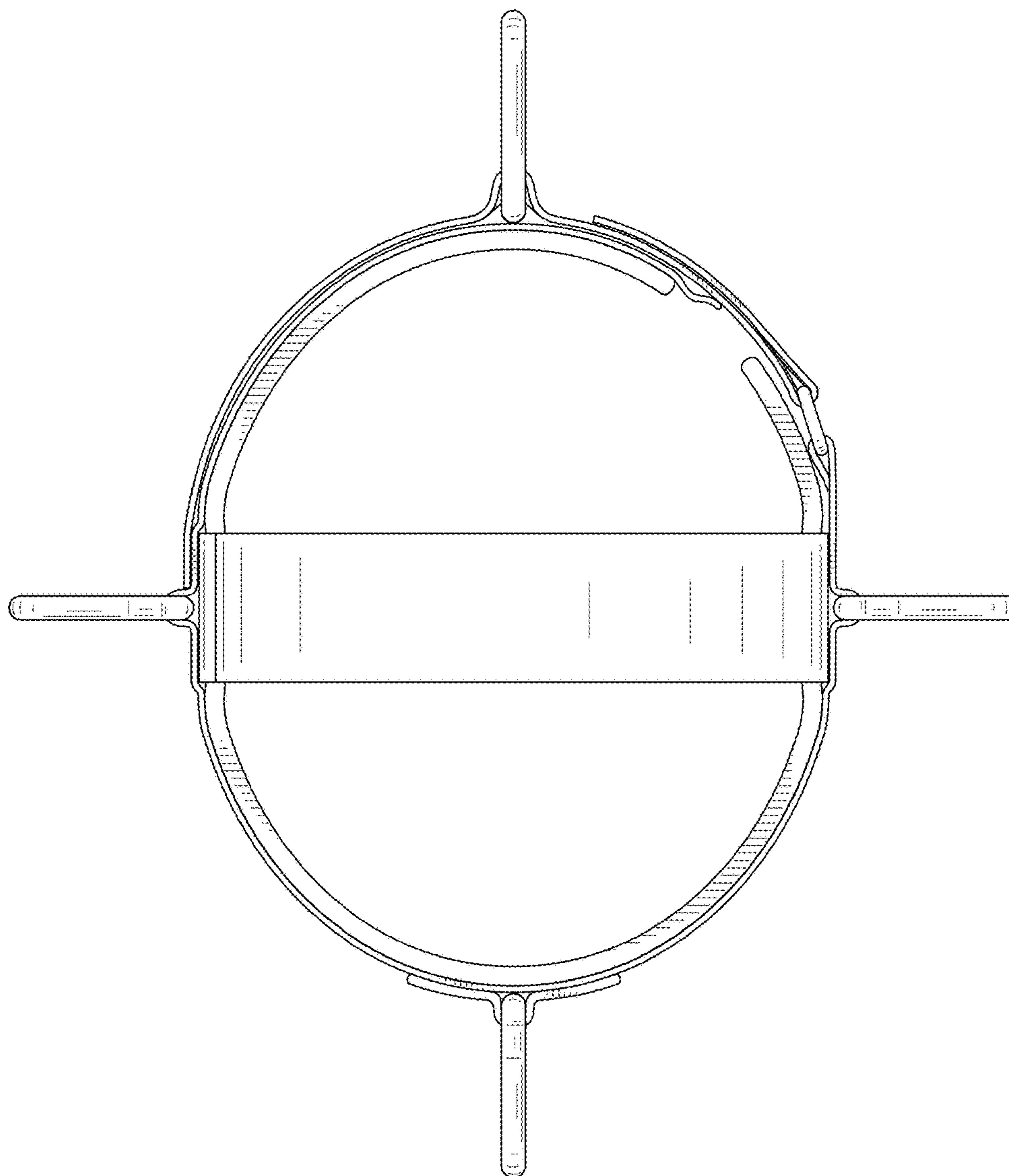


FIG. 6

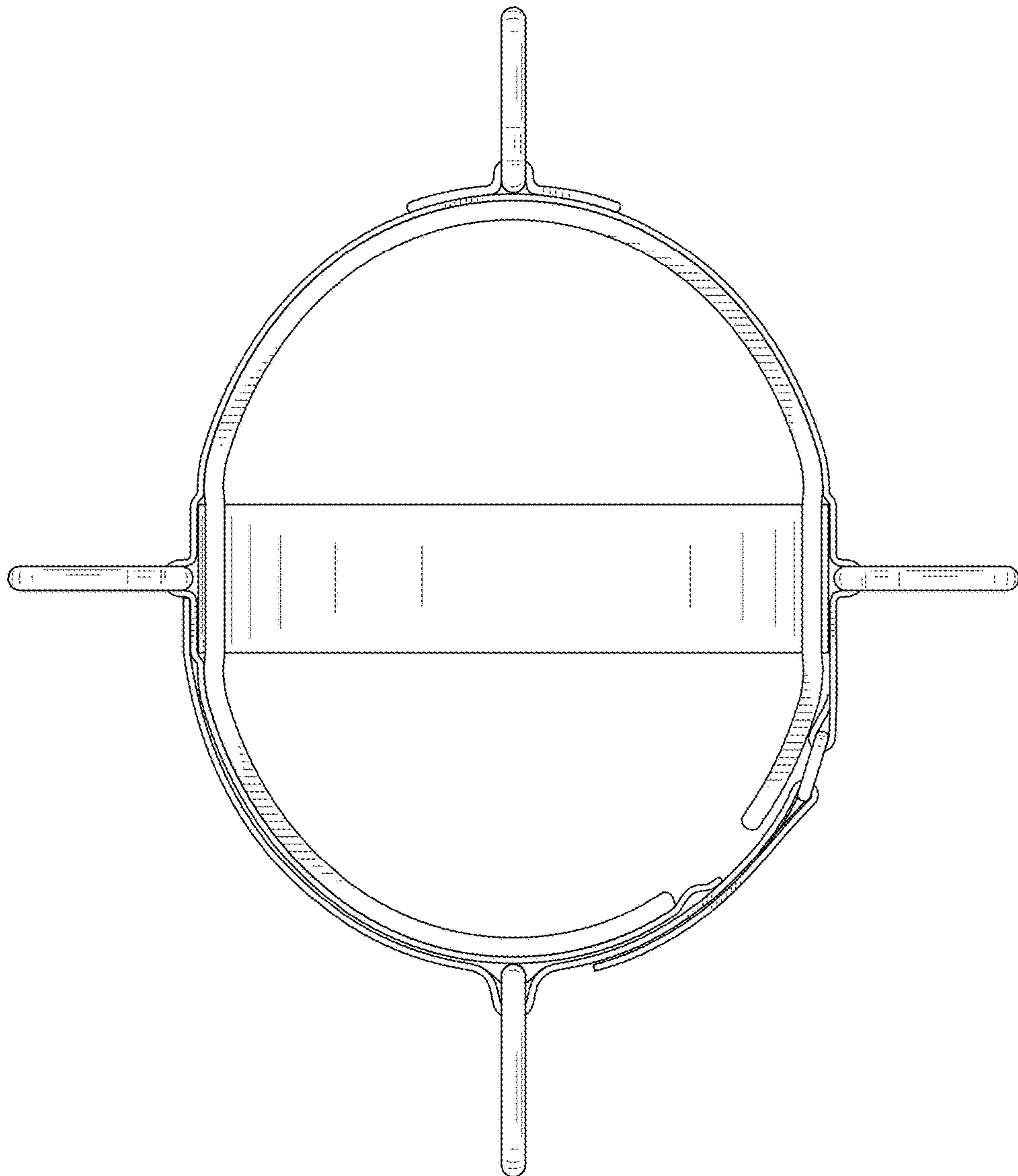


FIG. 7

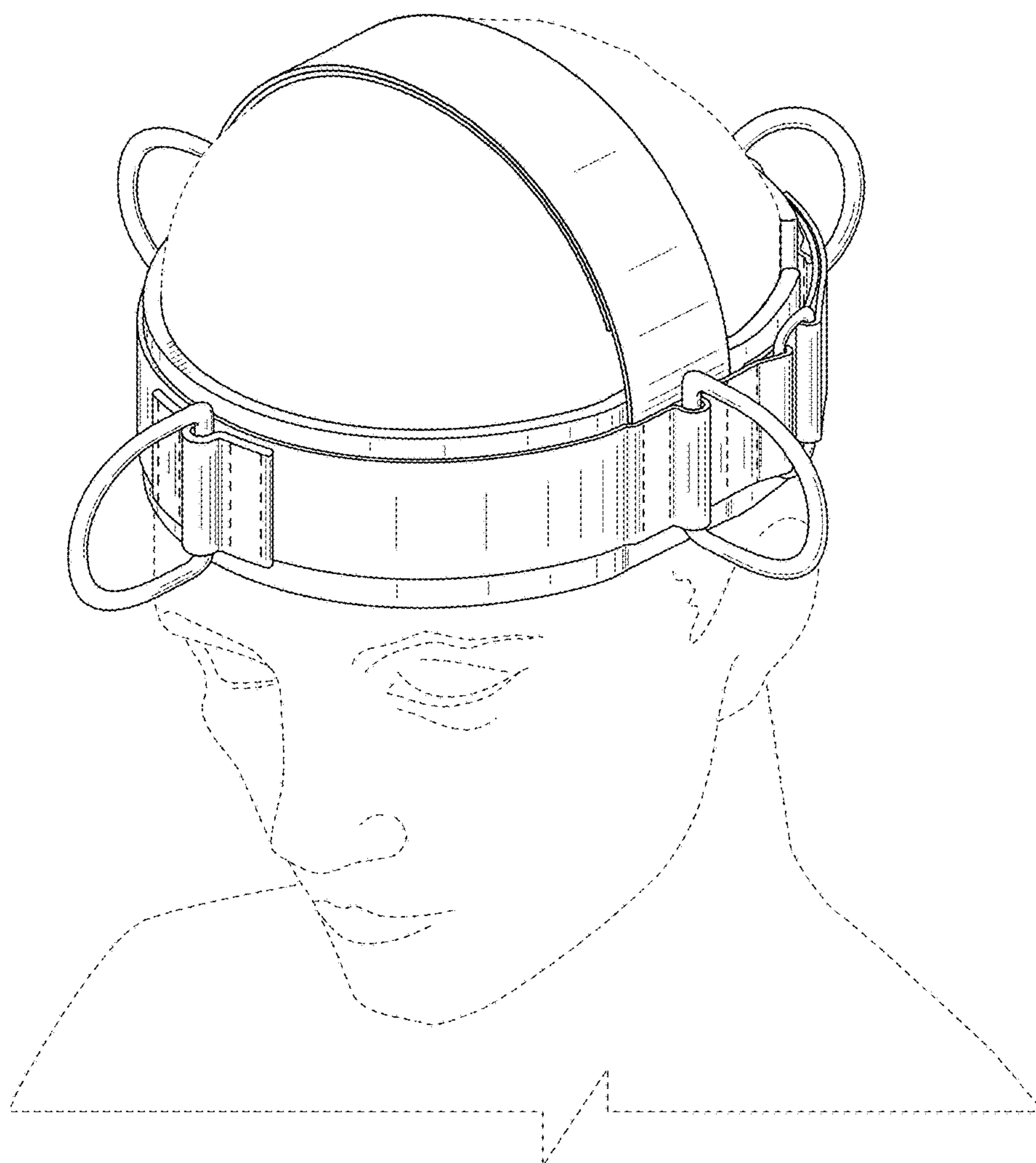


FIG. 8