



US00D853570S

(12) **United States Design Patent**  
**Zhuang**

(10) **Patent No.:** **US D853,570 S**  
(45) **Date of Patent:** **\*\* Jul. 9, 2019**

(54) **TOE SEPARATOR**

(71) Applicant: **Shenzhen Yibai Network Technology Co., Ltd.**, Shenzhen (CN)

(72) Inventor: **Junchao Zhuang**, Shenzhen (CN)

(\*\*) Term: **15 Years**

(21) Appl. No.: **29/599,819**

(22) Filed: **Apr. 6, 2017**

(51) **LOC (11) Cl.** ..... **24-01**

(52) **U.S. Cl.**  
USPC ..... **D24/192**

(58) **Field of Classification Search**  
USPC ..... D24/189-192; D29/113, 114  
CPC .... A61F 5/0111; A61F 13/065; A61F 13/066;  
A61F 5/05875  
See application file for complete search history.

(56) **References Cited**

**U.S. PATENT DOCUMENTS**

- 2,499,768 A \* 3/1950 McGlumphy ..... A61F 5/019  
128/894
- 4,940,046 A \* 7/1990 Jacoby ..... A61F 5/019  
128/882
- 5,665,060 A \* 9/1997 Fabricant ..... A61F 5/019  
128/893
- D612,946 S \* 3/2010 Ferri ..... D24/200
- D673,686 S \* 1/2013 Rust Huthmaker ..... D24/192

- D683,861 S \* 6/2013 Rust Huthmaker ..... D24/192
- D717,961 S \* 11/2014 Rupert ..... D24/192
- 2006/0288609 A1\* 12/2006 Wilkenfeld ..... A43B 3/105  
36/8.3

\* cited by examiner

*Primary Examiner* — Lakiya G Rogers

*Assistant Examiner* — Carissa C Fitts

(74) *Attorney, Agent, or Firm* — Jie Yang; Zan IP LLC

(57) **CLAIM**

The ornamental design for a toe separator, as shown and described.

**DESCRIPTION**

FIG. 1 is a perspective view of a toe separator, showing my new design.

FIG. 2 is a second perspective view thereof.

FIG. 3 is a third perspective view thereof.

FIG. 4 is a front elevational view thereof.

FIG. 5 is a rear elevational view thereof.

FIG. 6 is a left side elevational view thereof.

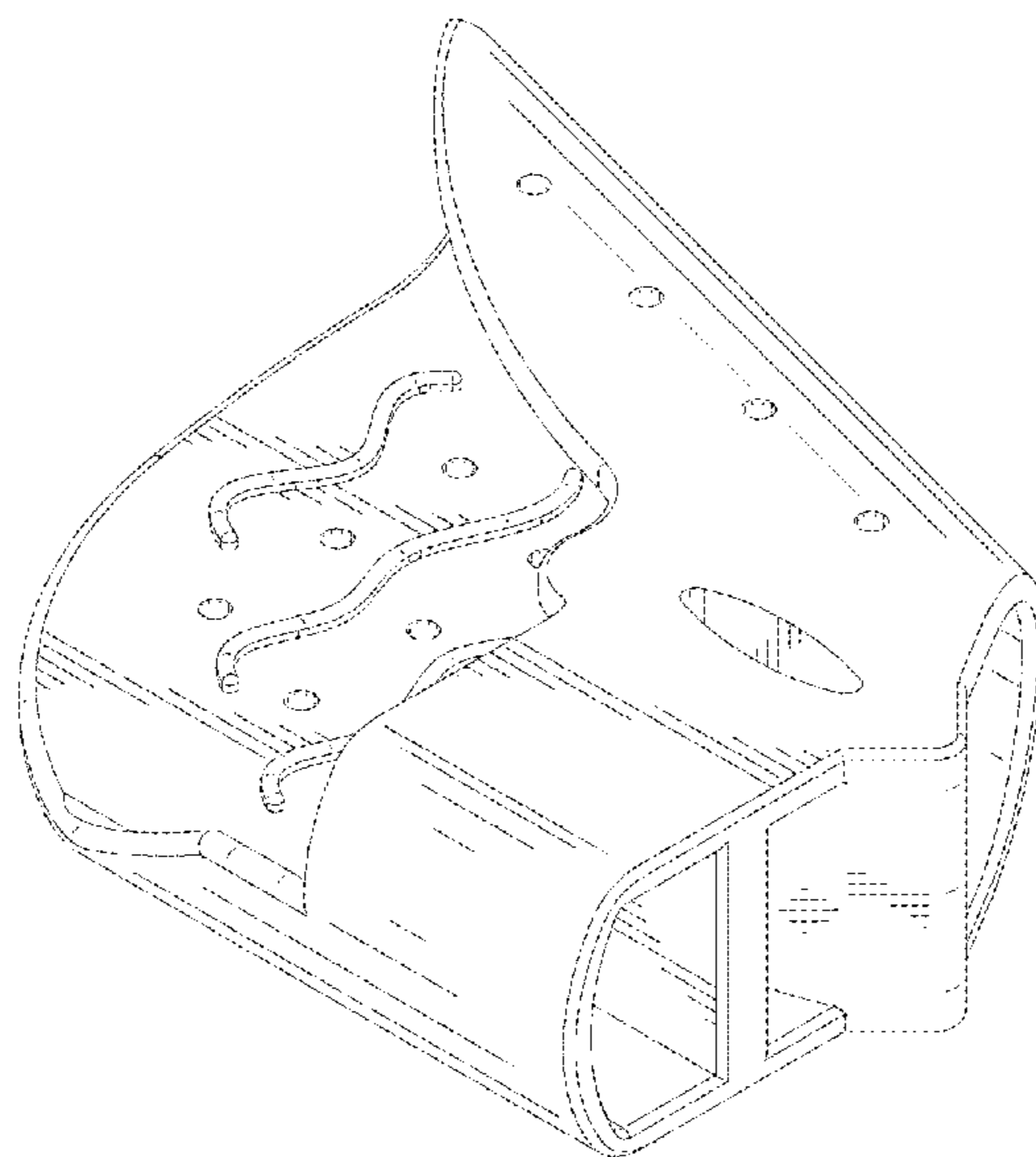
FIG. 7 is a right side elevational view thereof.

FIG. 8 is a top plan view thereof; and,

FIG. 9 is a bottom plan view thereof.

The broken lines show unclaimed portions of the article that forms no part of the claimed design.

**1 Claim, 9 Drawing Sheets**



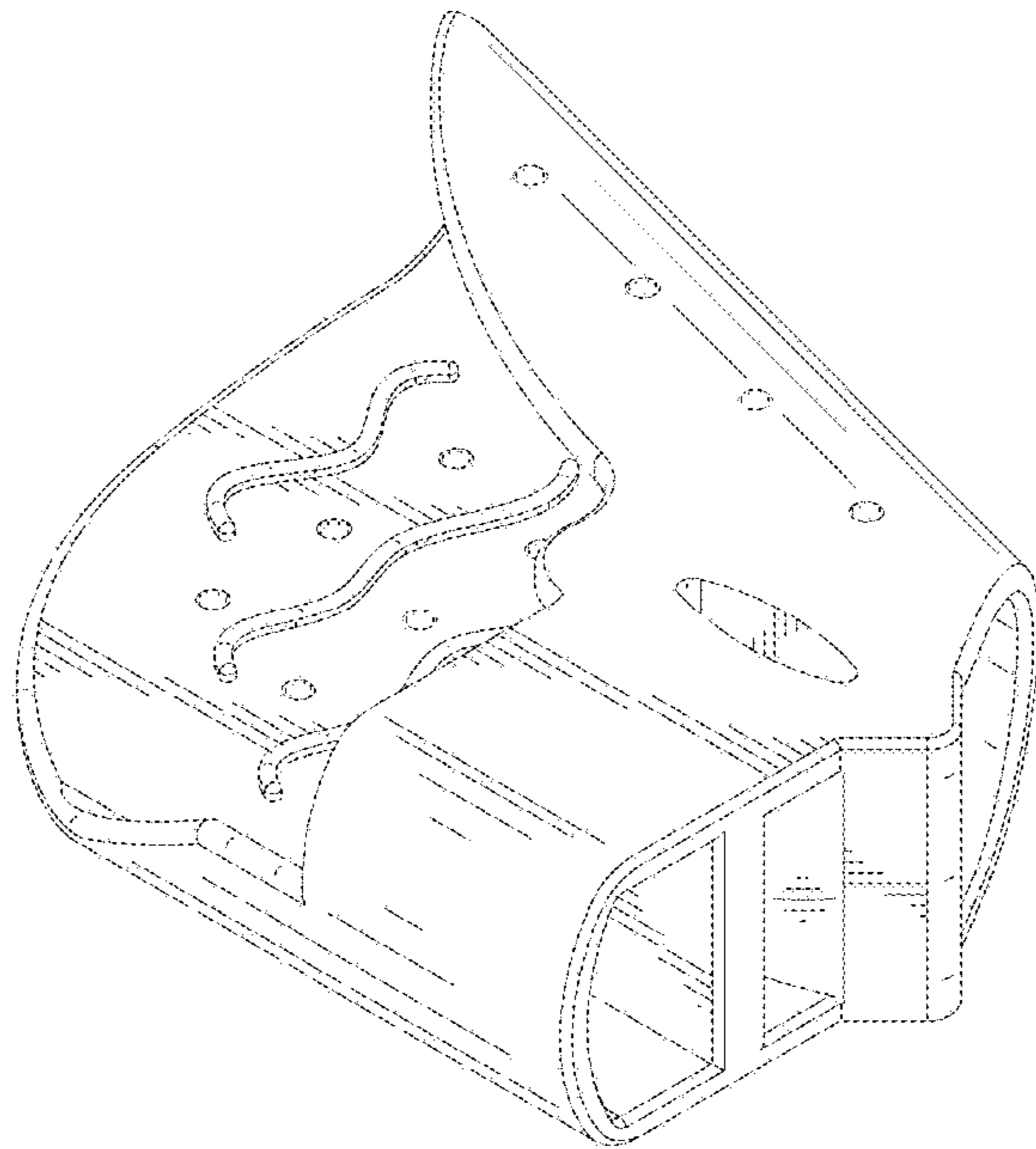


FIG.1

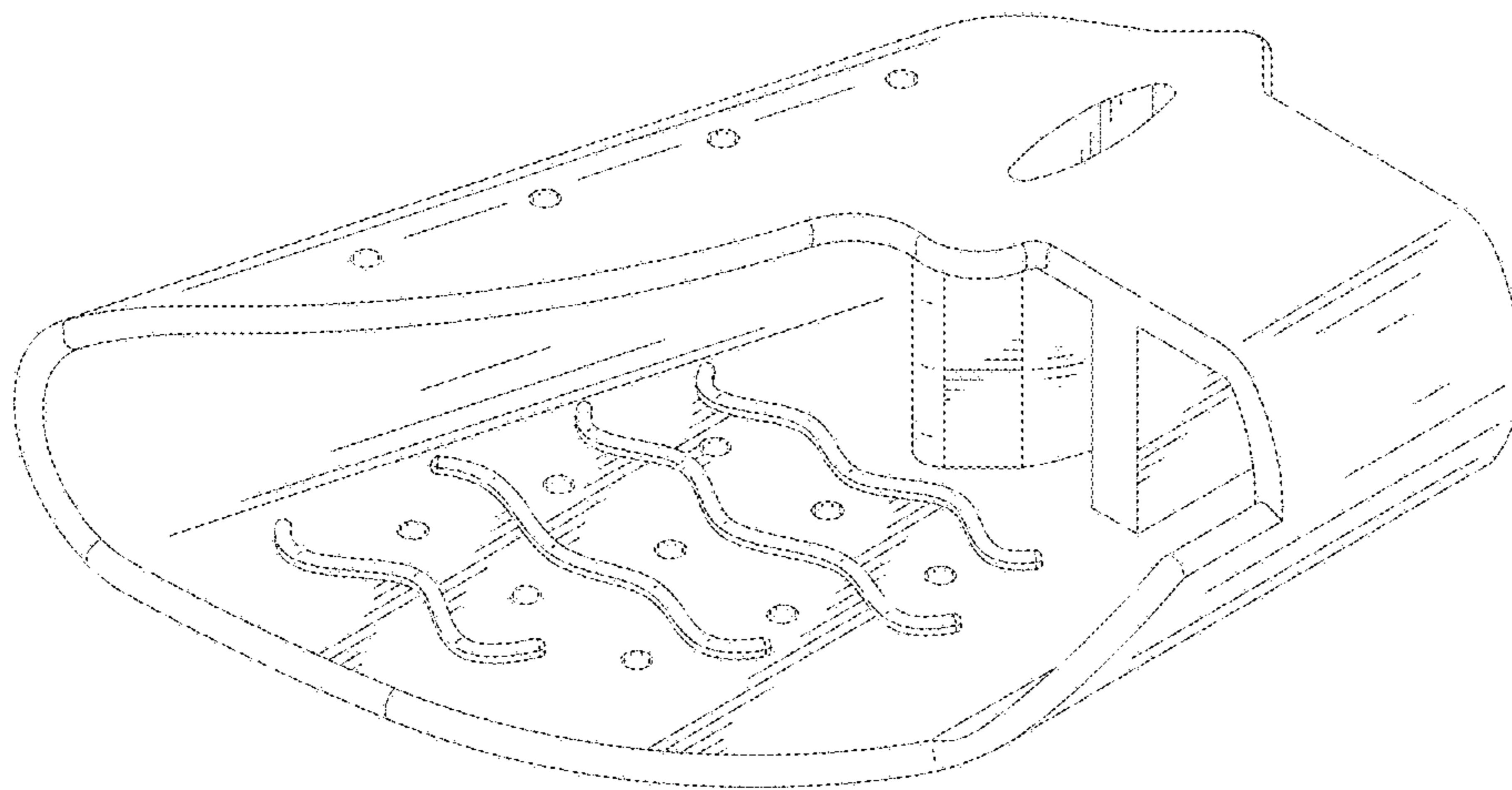


FIG.2

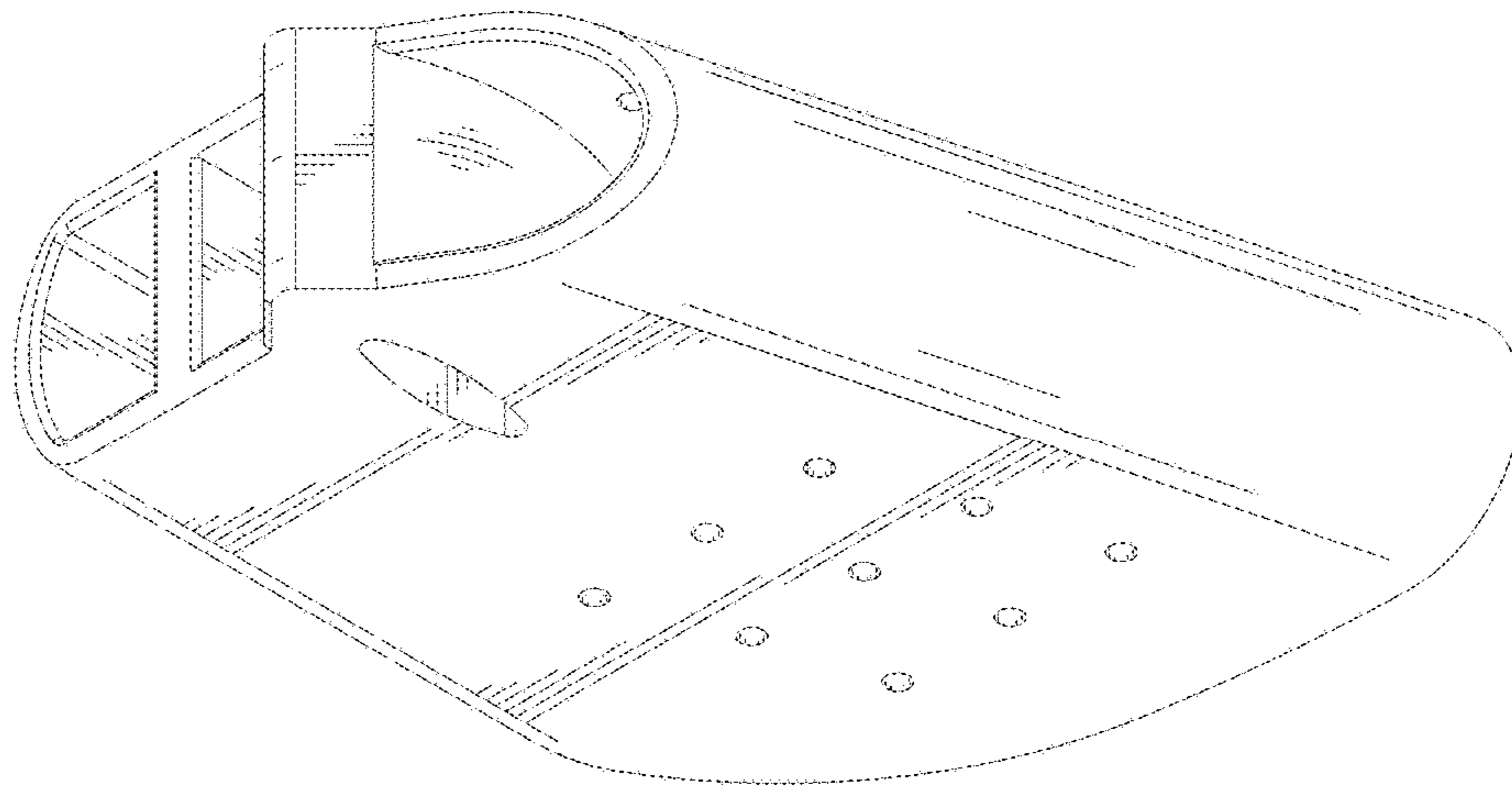


FIG.3

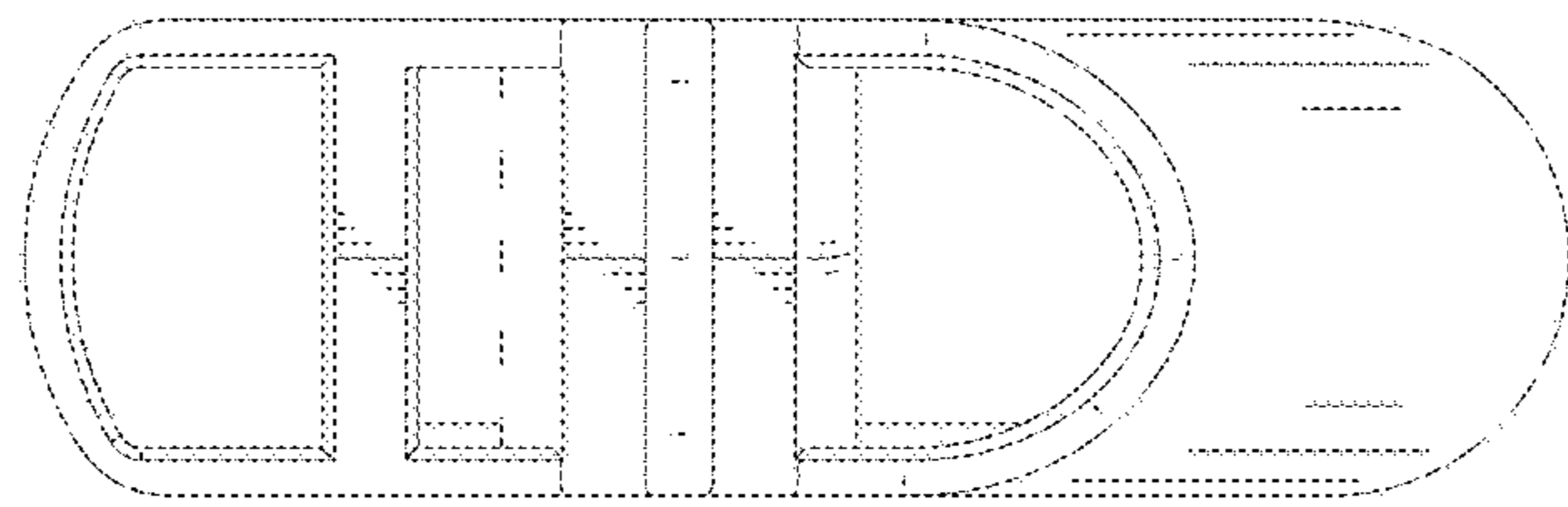


FIG.4

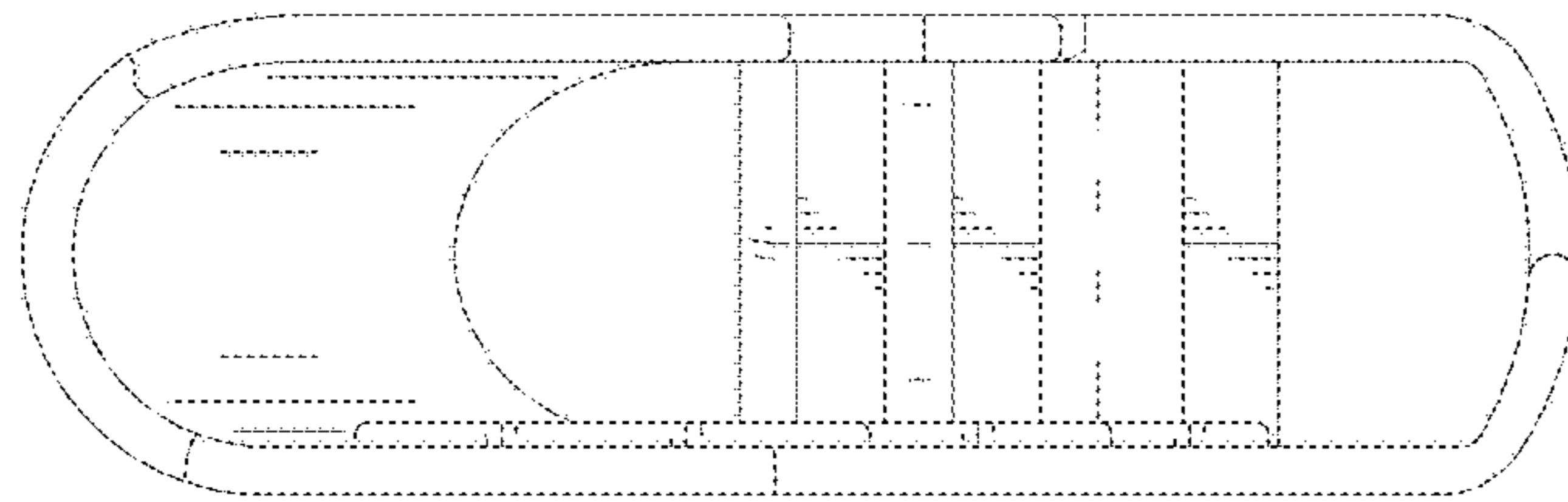


FIG.5

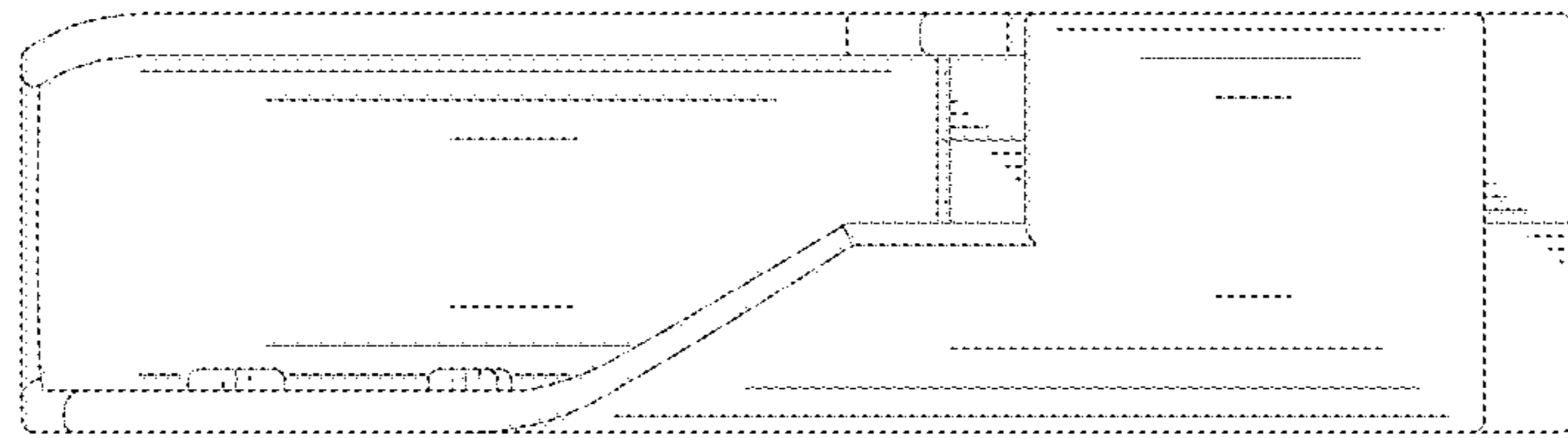


FIG.6

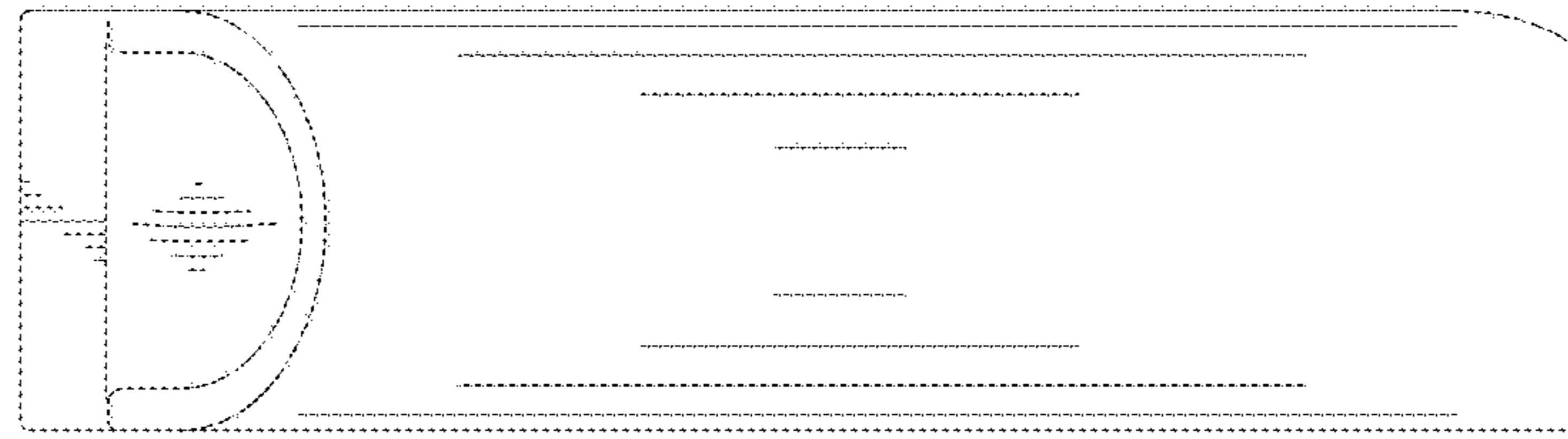


FIG.7



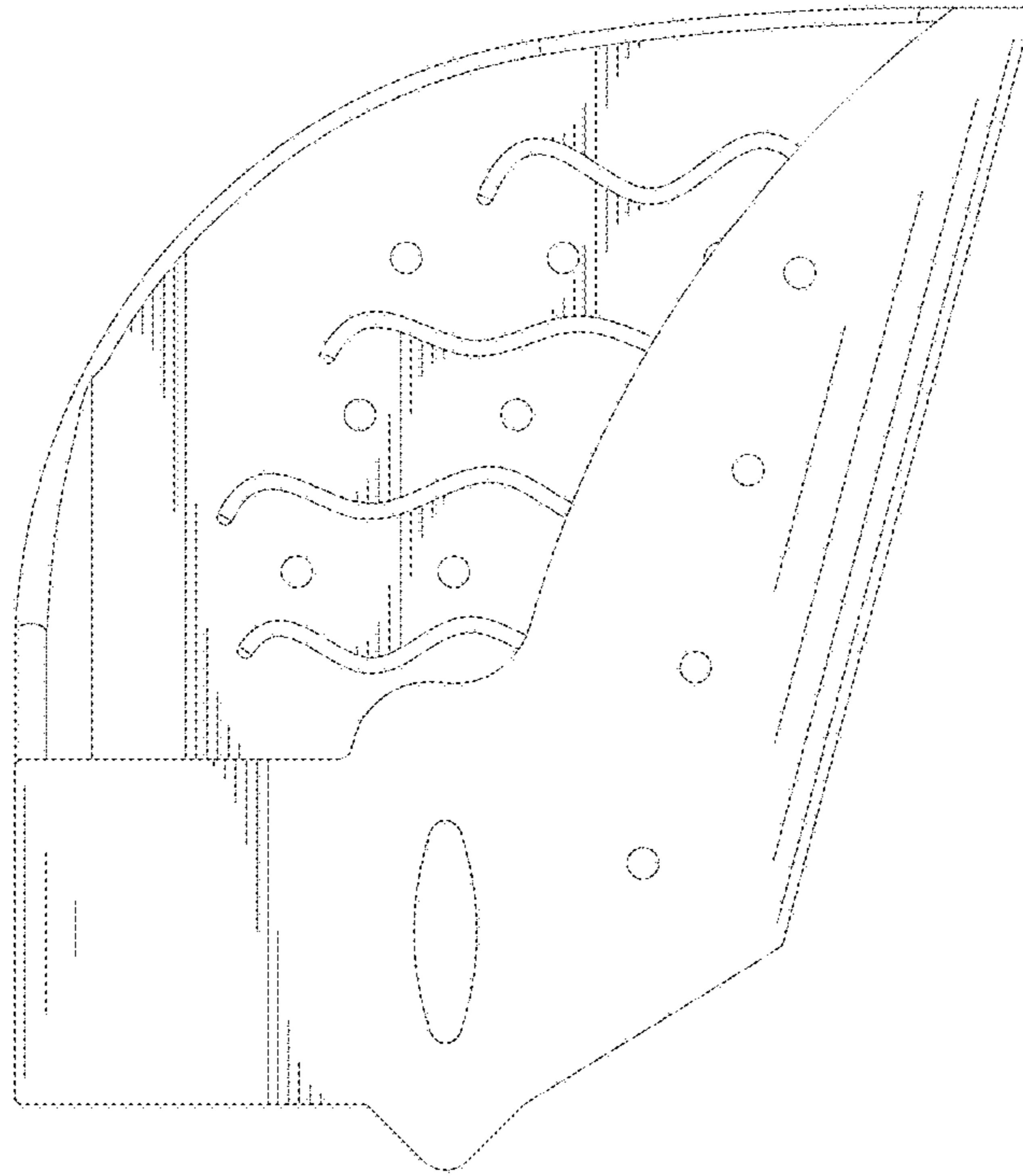


FIG.8

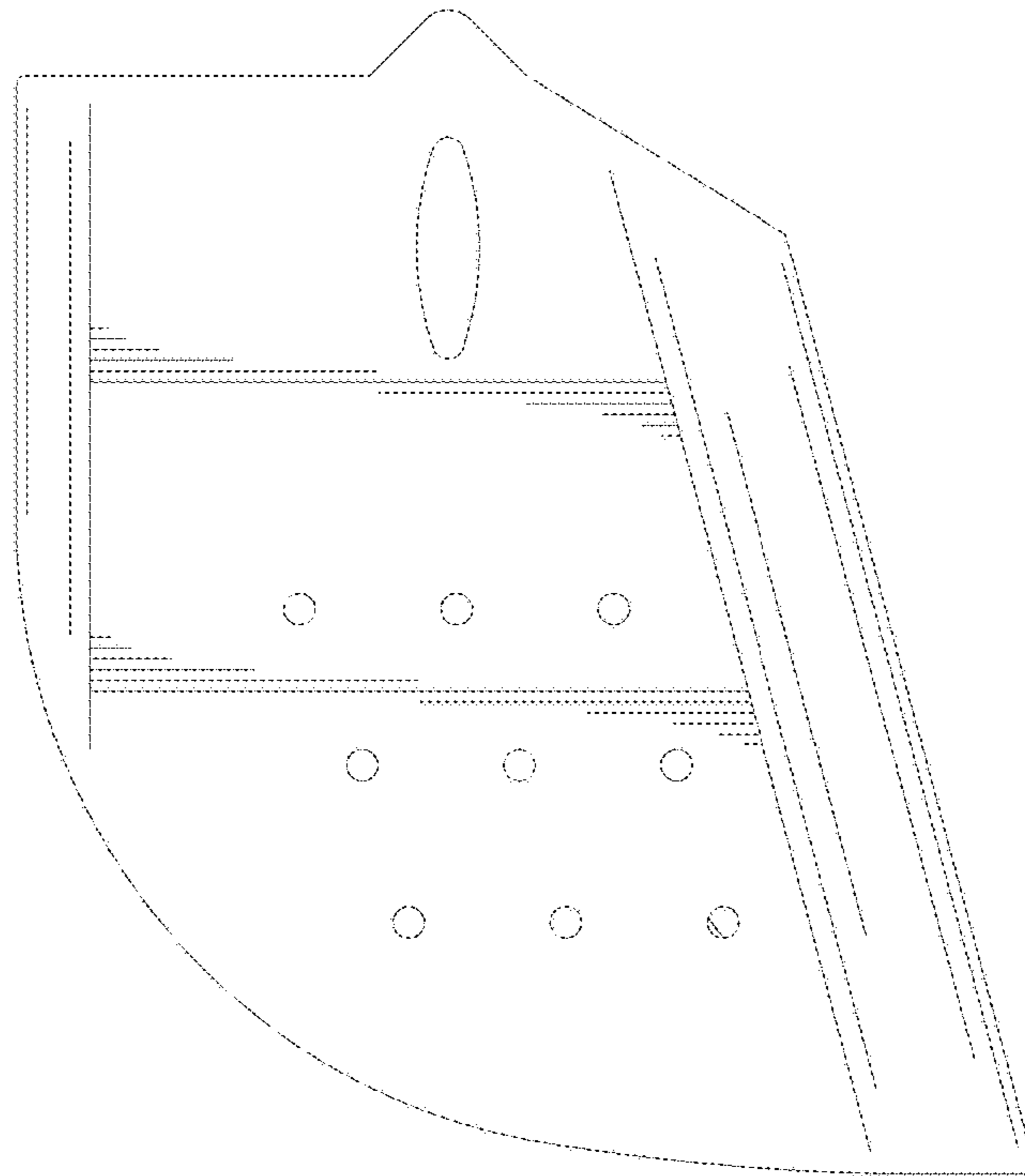


FIG.9