



US00D853566S

(12) **United States Design Patent** (10) **Patent No.:** **US D853,566 S**  
**Altermatt** (45) **Date of Patent:** **\*\* Jul. 9, 2019**

(54) **MOBILE RESPIRATOR**

(71) Applicant: **Hamilton Medical AG**, Bonaduz (CH)

(72) Inventor: **Roger Altermatt**, Trin (CH)

(73) Assignee: **Hamilton Medical AG**, Bonaduz (CH)

(\*\*) Term: **15 Years**

(21) Appl. No.: **29/631,543**

(22) Filed: **Dec. 29, 2017**

(30) **Foreign Application Priority Data**

Aug. 8, 2017 (EM) ..... 004139152-0002

(51) **LOC (11) Cl.** ..... **24-01**

(52) **U.S. Cl.**  
USPC ..... **D24/164**

(58) **Field of Classification Search**  
USPC ..... D24/128, 158, 163, 164, 185-186, 234;  
D34/14, 19-20  
CPC ..... A61M 16/0051; A61B 19/024; A61B  
5/0002; A61B 17/00; A45C 9/00  
See application file for complete search history.

(56) **References Cited**

U.S. PATENT DOCUMENTS

D453,823 S *	2/2002	Wagner	.....	D23/370
D459,477 S *	6/2002	Stocks	.....	D24/164
D643,535 S *	8/2011	Ross	.....	D24/164
D702,840 S *	4/2014	Blomquist	.....	D24/164
D735,868 S *	8/2015	Mareguddi	.....	D24/185
D746,475 S *	12/2015	Mongin	.....	D24/185
D751,209 S *	3/2016	DiMino	.....	D24/185
D760,390 S *	6/2016	Blomquist	.....	D24/164
D764,669 S *	8/2016	Birath	.....	D24/164
D776,279 S *	1/2017	Newman	.....	D24/164
D787,073 S *	5/2017	Livengood	.....	D24/185

(Continued)

OTHER PUBLICATIONS

Hamilton-C6 in 3D, posted at hamilton-medical.com, [online], acquired on Oct. 24, 2018. Available from Internet, <URL: https://www.hamilton-medical.com/ja/Products/Mechanical-ventilators/HAMILTON-C6.html> (Year: 2018).\*

(Continued)

*Primary Examiner* — Lilyana Bekic

*Assistant Examiner* — Aula Soroush

(74) *Attorney, Agent, or Firm* — Wuersch & Gering

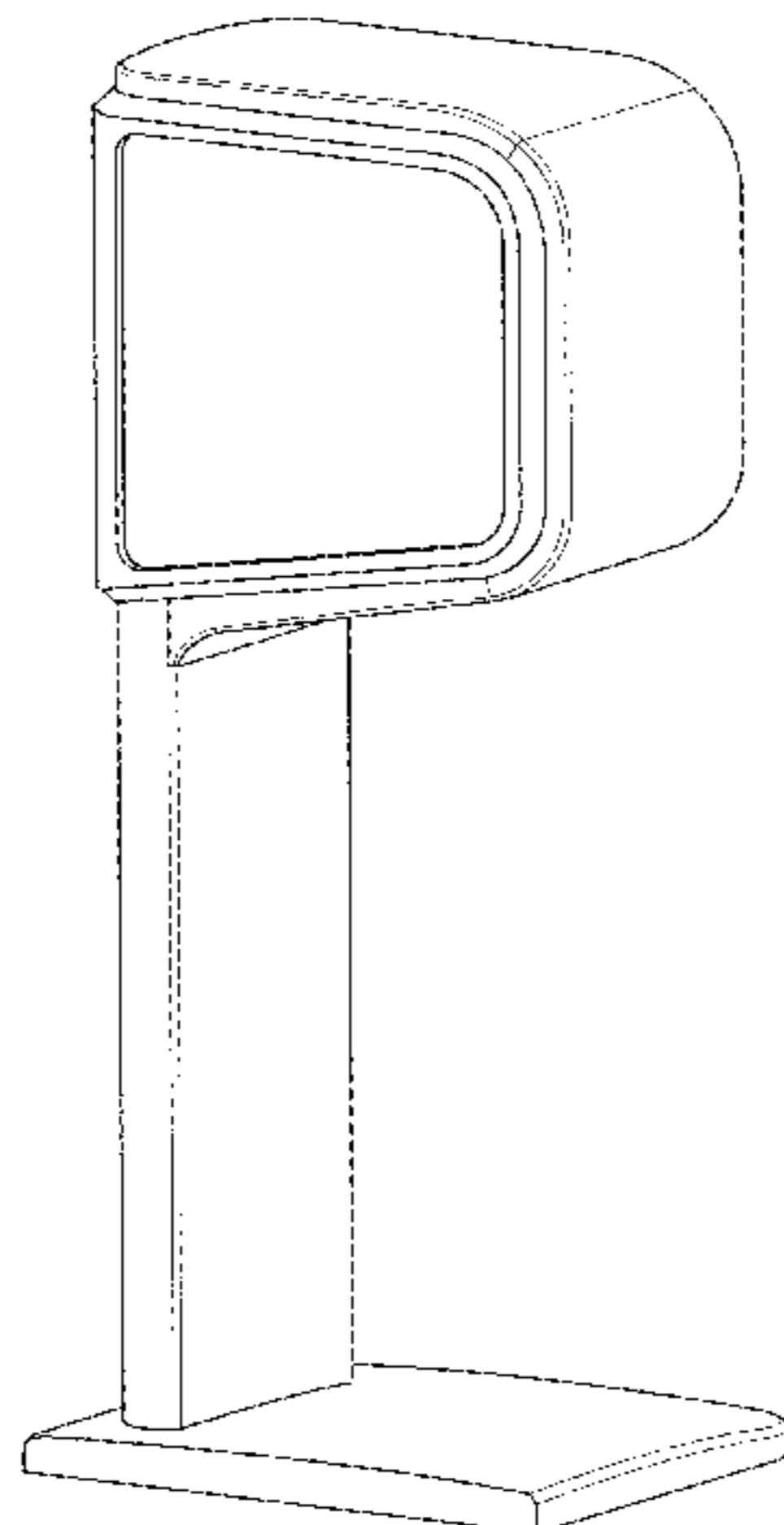
(57) **CLAIM**

The ornamental design for a mobile respirator, as shown and described.

**DESCRIPTION**

FIG. 1 is a front elevational view of a mobile respirator of a first embodiment showing my new design;  
FIG. 2 is a rear elevational view of the mobile respirator of FIG. 1;  
FIG. 3 is a right side elevational view of the mobile respirator of FIG. 1;  
FIG. 4 is a left side elevational view of the mobile respirator of FIG. 1;  
FIG. 5 is a top plan view of the mobile respirator of FIG. 1;  
FIG. 6 is a bottom plan view of the mobile respirator of FIG. 1;  
FIG. 7 is a front perspective view of the mobile respirator of FIG. 1;  
FIG. 8 is another front perspective view of the mobile respirator of FIG. 1;  
FIG. 9 is a rear perspective view of the mobile respirator of FIG. 1; and,  
FIG. 10 is another rear perspective view of the mobile respirator of FIG. 1.  
A second embodiment of my design is mirror image of the first embodiment depicted in FIGS. 1-10.

**1 Claim, 10 Drawing Sheets**



(56)

**References Cited**

U.S. PATENT DOCUMENTS

D792,974 S \* 7/2017 Roth ..... D24/185

OTHER PUBLICATIONS

Hamilton Medical Exhibit at International Symposium on Intensive Care and Emergency Medicine (ISICEM) in Brussels, Belgium on Mar. 21-24, 2017.

\* cited by examiner

Figure 1

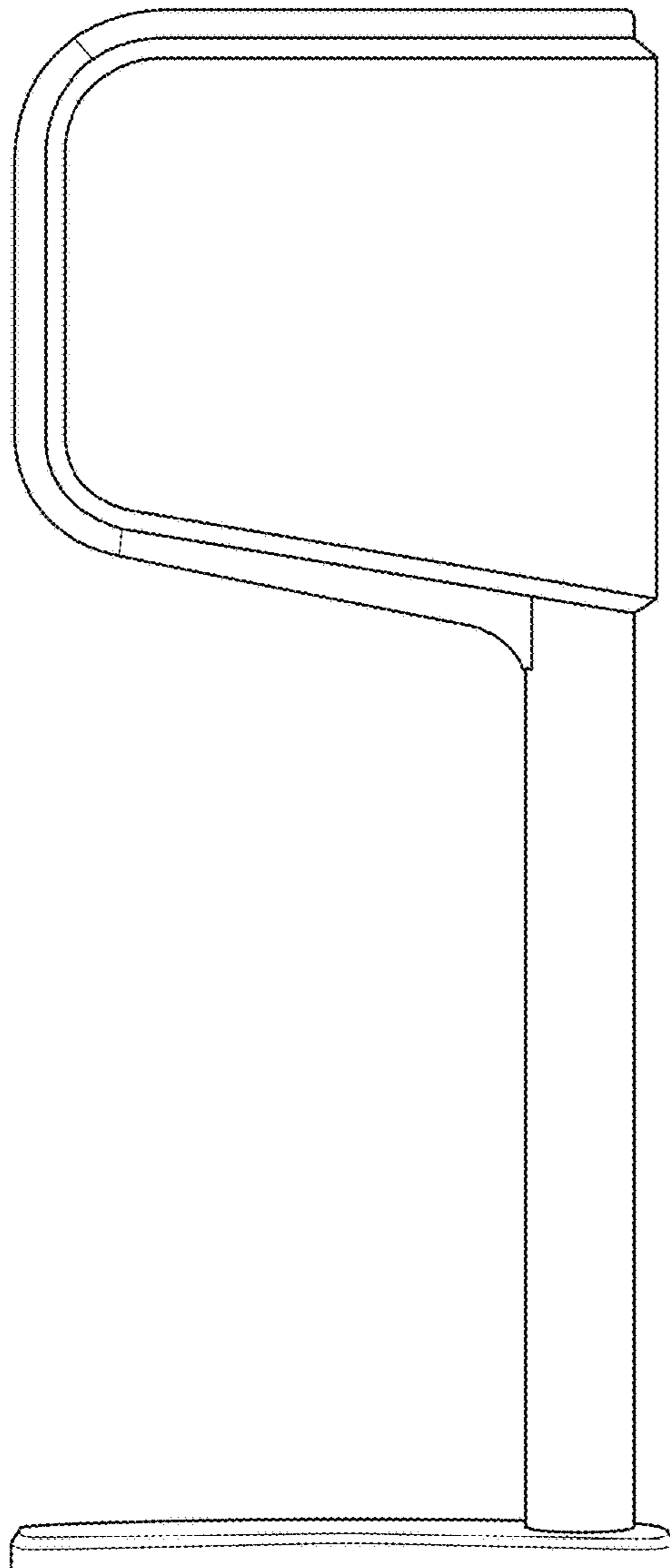


Figure 2

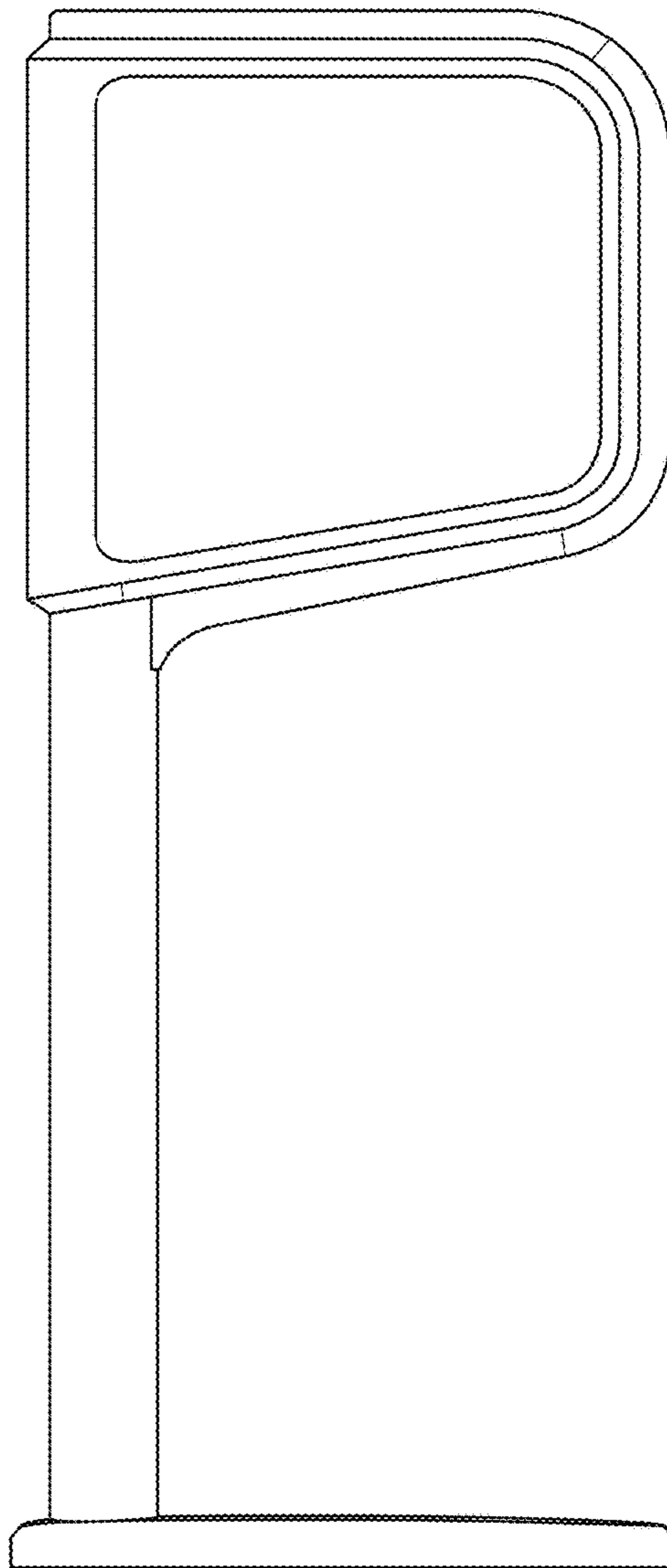


Figure 3

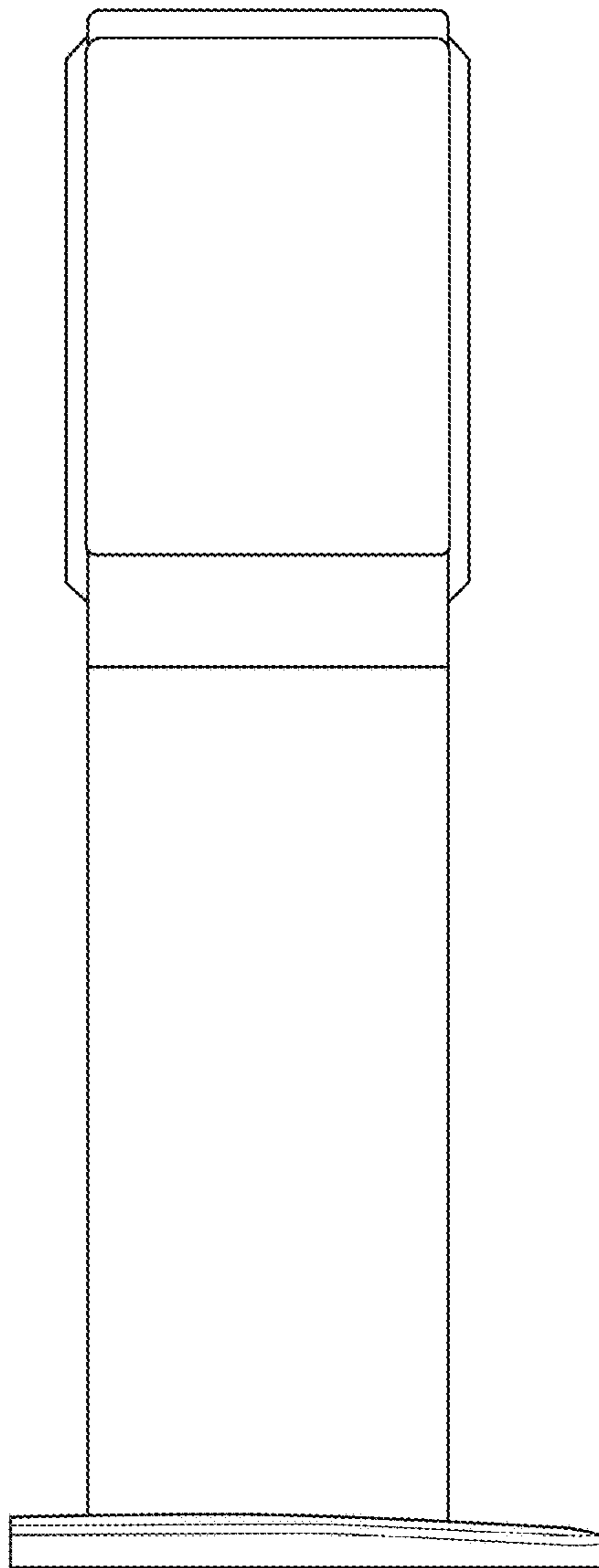


Figure 4

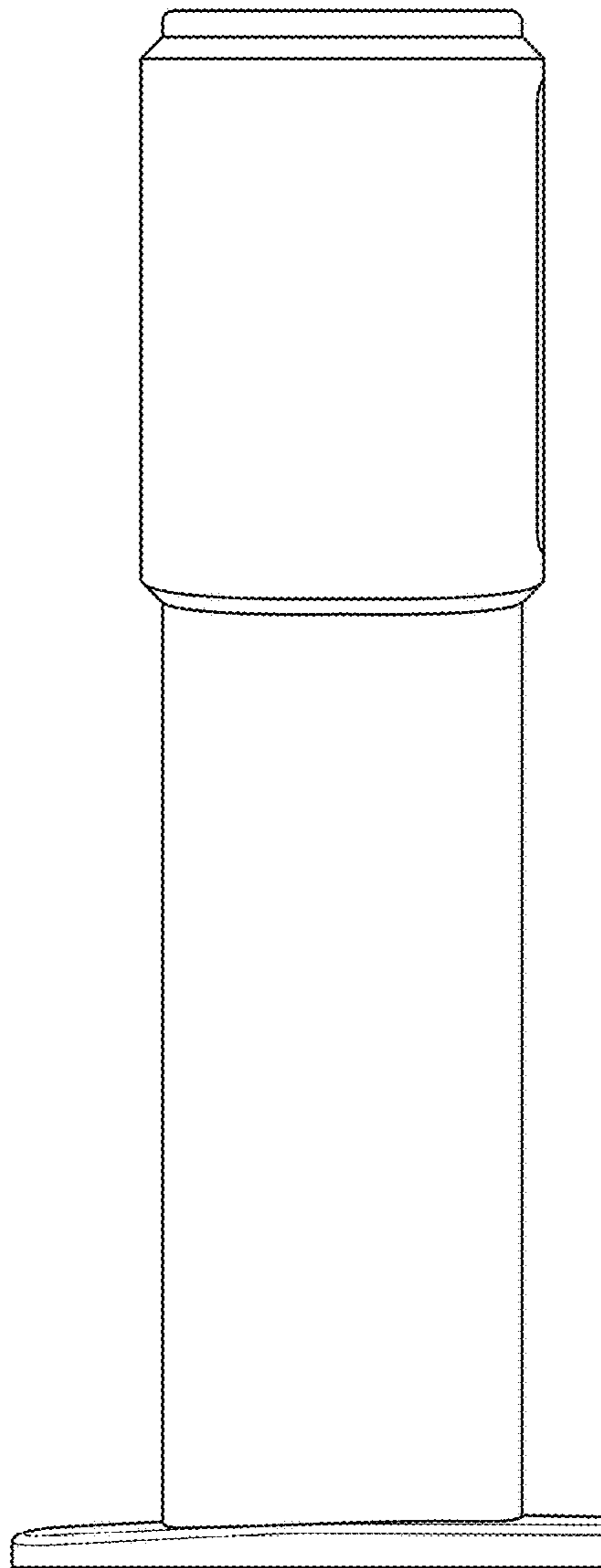


Figure 5

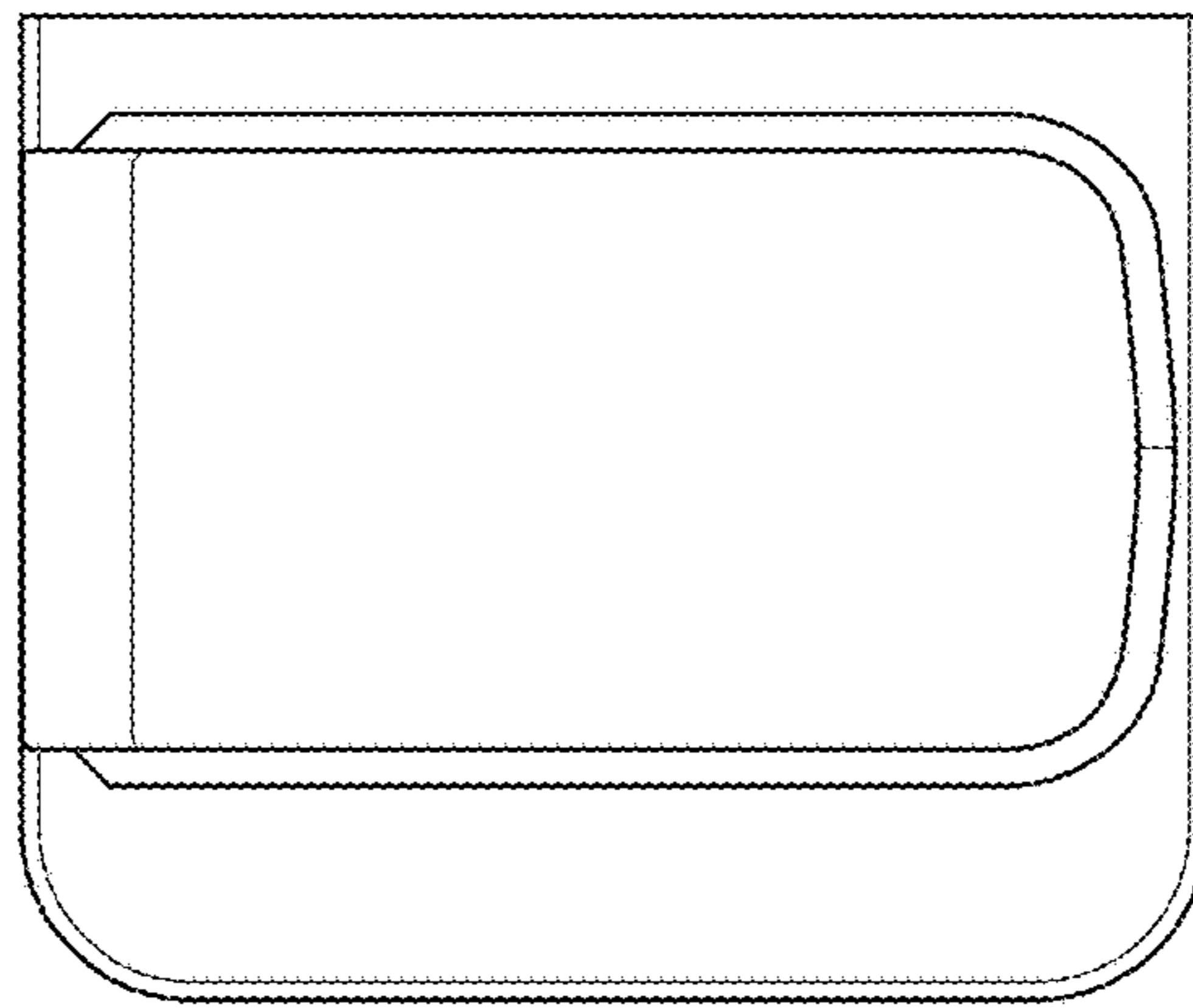


Figure 6

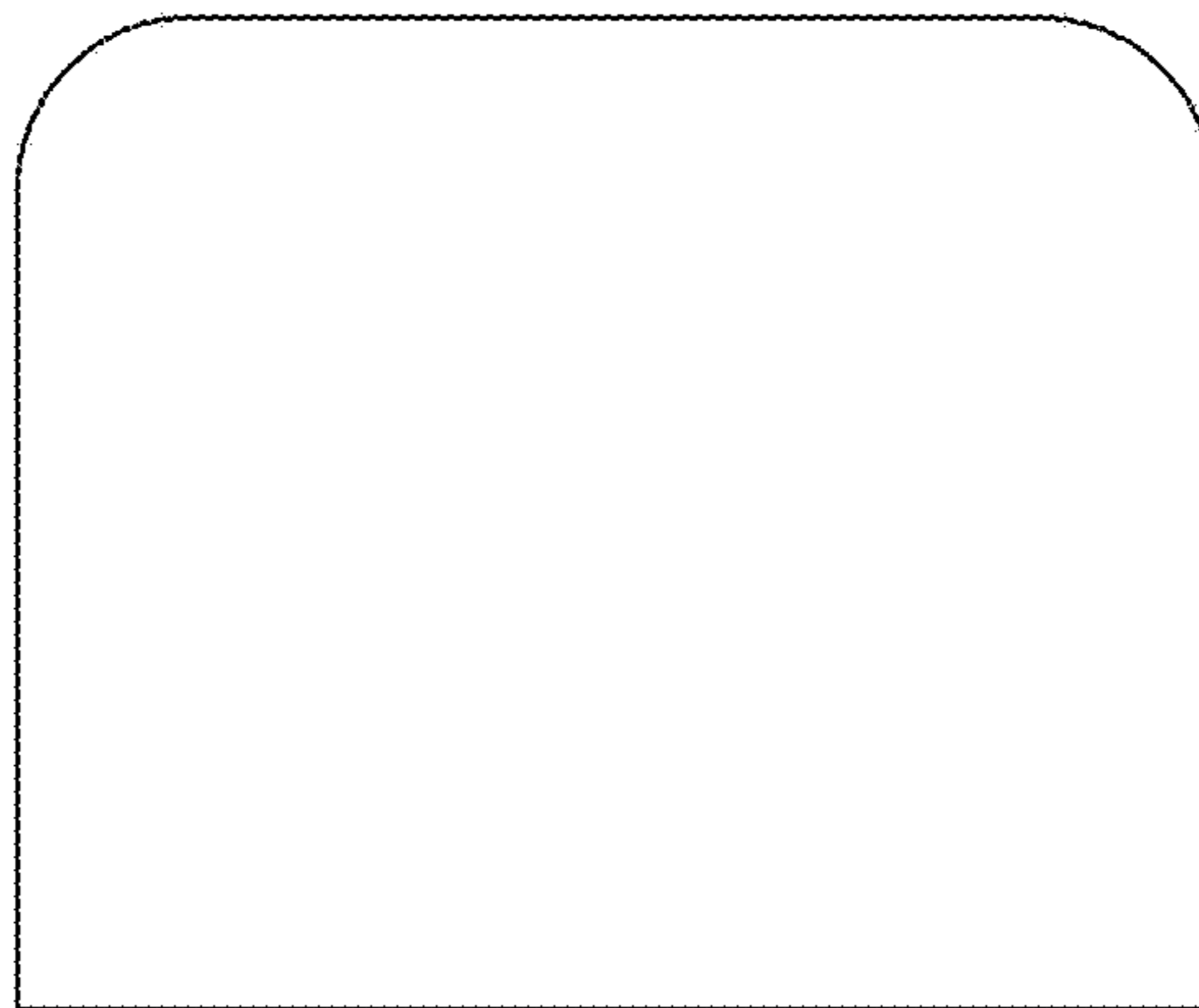




Figure 7

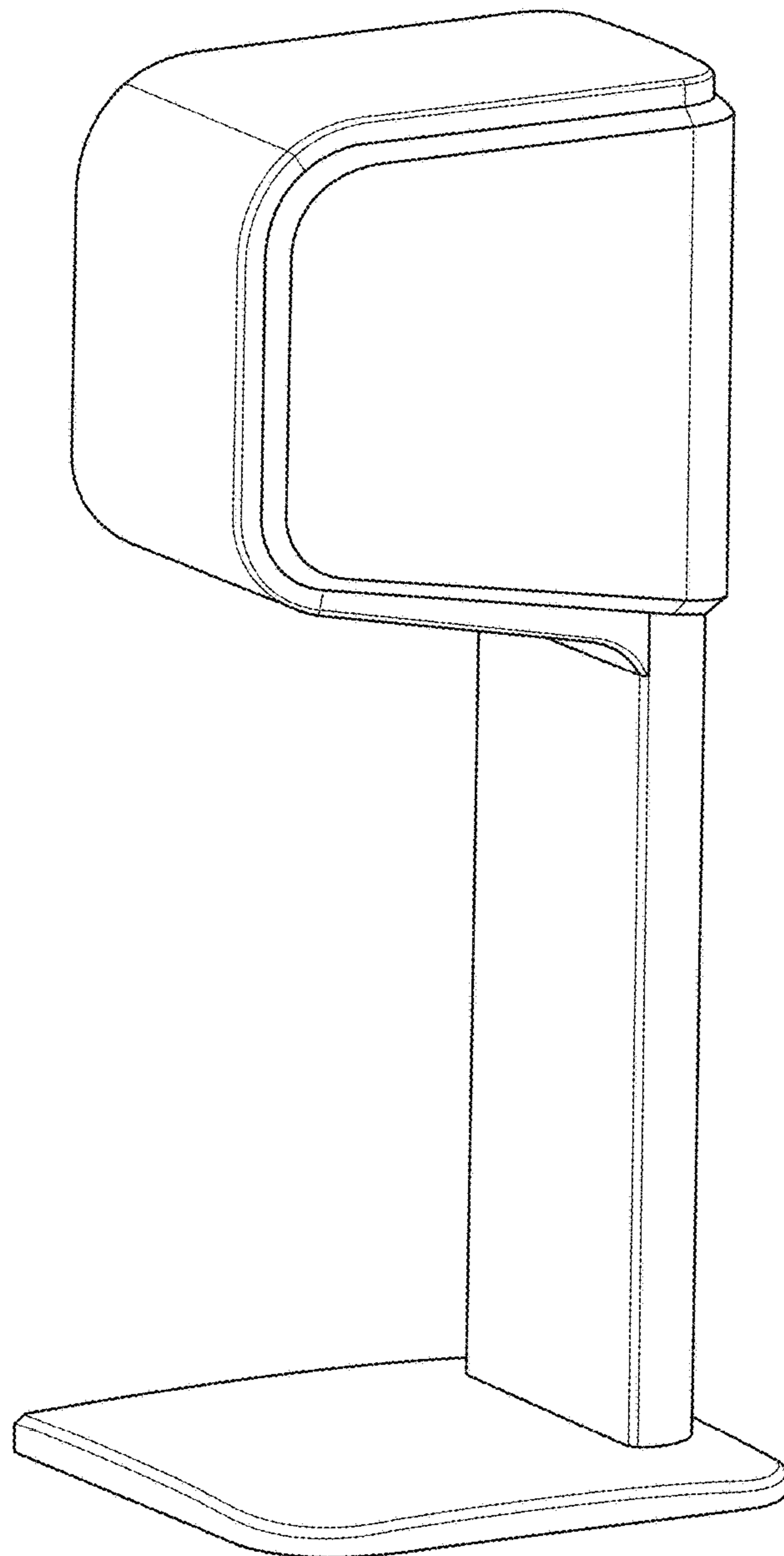


Figure 8

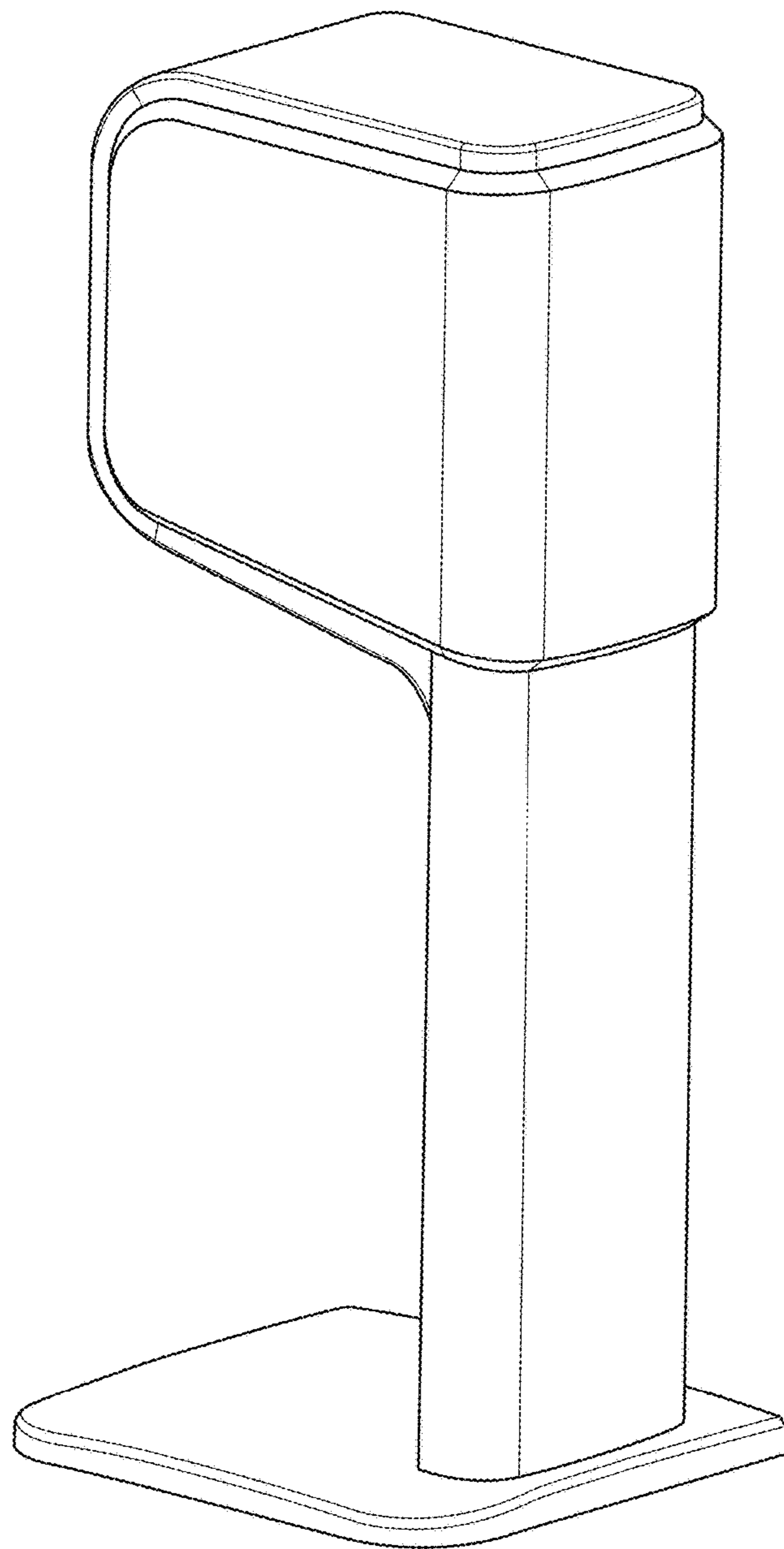


Figure 9

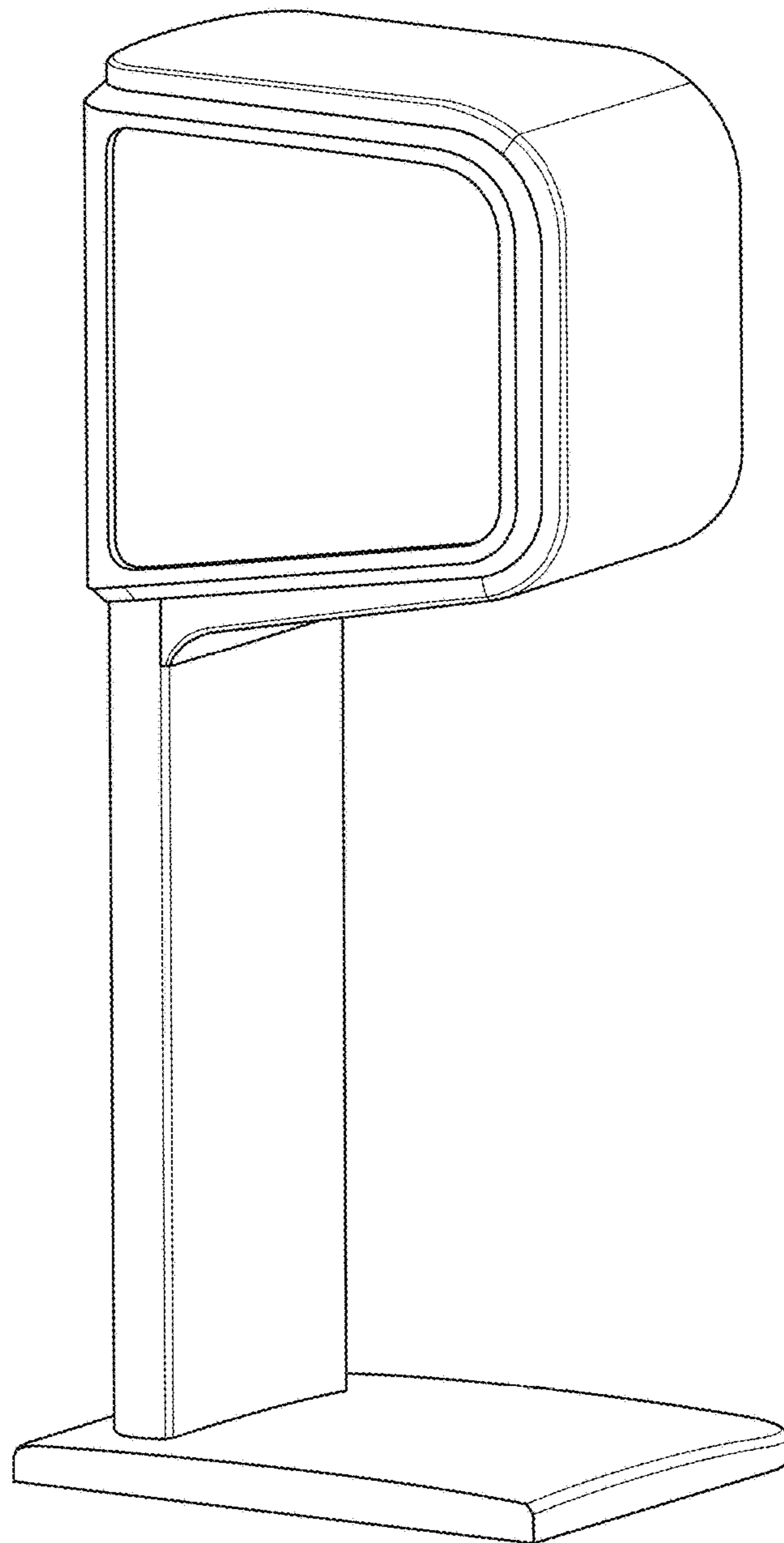


Figure 10

