



US00D853564S

(12) **United States Design Patent** (10) **Patent No.:** **US D853,564 S**
Henderson et al. (45) **Date of Patent:** **** Jul. 9, 2019**

- (54) **ULTRASOUND CART** D620,121 S * 7/2010 Moscovita D24/185
D627,342 S 11/2010 Lin et al.
(71) Applicant: **EDAN INSTRUMENTS, INC.**, D631,043 S 1/2011 Kell
Pingshan District, Shenzhen (CN) D645,630 S 9/2011 Steffens et al.
D648,855 S 11/2011 Smith et al.
(72) Inventors: **Richard Henderson**, Sunnyvale, CA D657,470 S 4/2012 Schon et al.
(US); **Sean Murphy**, Sunnyvale, CA D676,436 S 2/2013 Du et al.
(US) D682,347 S 5/2013 Haggins
D695,898 S 12/2013 Chung et al.
(73) Assignee: **Edan Instruments, Inc.**, Shenzhen D696,783 S 12/2013 Chung et al.
(CN) D699,852 S 2/2014 Chung et al.
D700,706 S 3/2014 Molter
D708,341 S 7/2014 Ikegame et al.
D712,037 S 8/2014 Hansen et al.
(**) Term: **15 Years** D712,042 S * 8/2014 Chung D24/185

(Continued)

(21) Appl. No.: **29/661,368**

(22) Filed: **Aug. 27, 2018**

Primary Examiner — Anhdao Doan

(74) *Attorney, Agent, or Firm* — Gilberto M. Villacorta;
Brett P. Belden; Foley & Lardner LLP

Related U.S. Application Data

(63) Continuation of application No. 29/534,920, filed on Jul. 31, 2015, now Pat. No. Des. 827,139.

(51) **LOC (11) Cl.** **24-01**

(52) **U.S. Cl.**
USPC **D24/158; D24/185**

(58) **Field of Classification Search**
USPC D24/152, 158, 160, 161, 185, 186, 187,
D24/231; D14/315, 318
CPC ... A61B 6/4405; A61B 6/4411; A61B 6/4435;
A61B 6/4441; A61B 6/4447; A61B
8/4405; A61B 8/4411; A61B 8/4427;
A61B 8/462; A61B 8/0437; A61B 8/0883
See application file for complete search history.

(56) **References Cited**

U.S. PATENT DOCUMENTS

- D366,280 S 1/1996 Henderson
6,067,224 A 5/2000 Nobuchi
6,491,630 B1 12/2002 Saccardo et al.
7,352,570 B2 4/2008 Smith et al.
D606,990 S 12/2009 Chen et al.

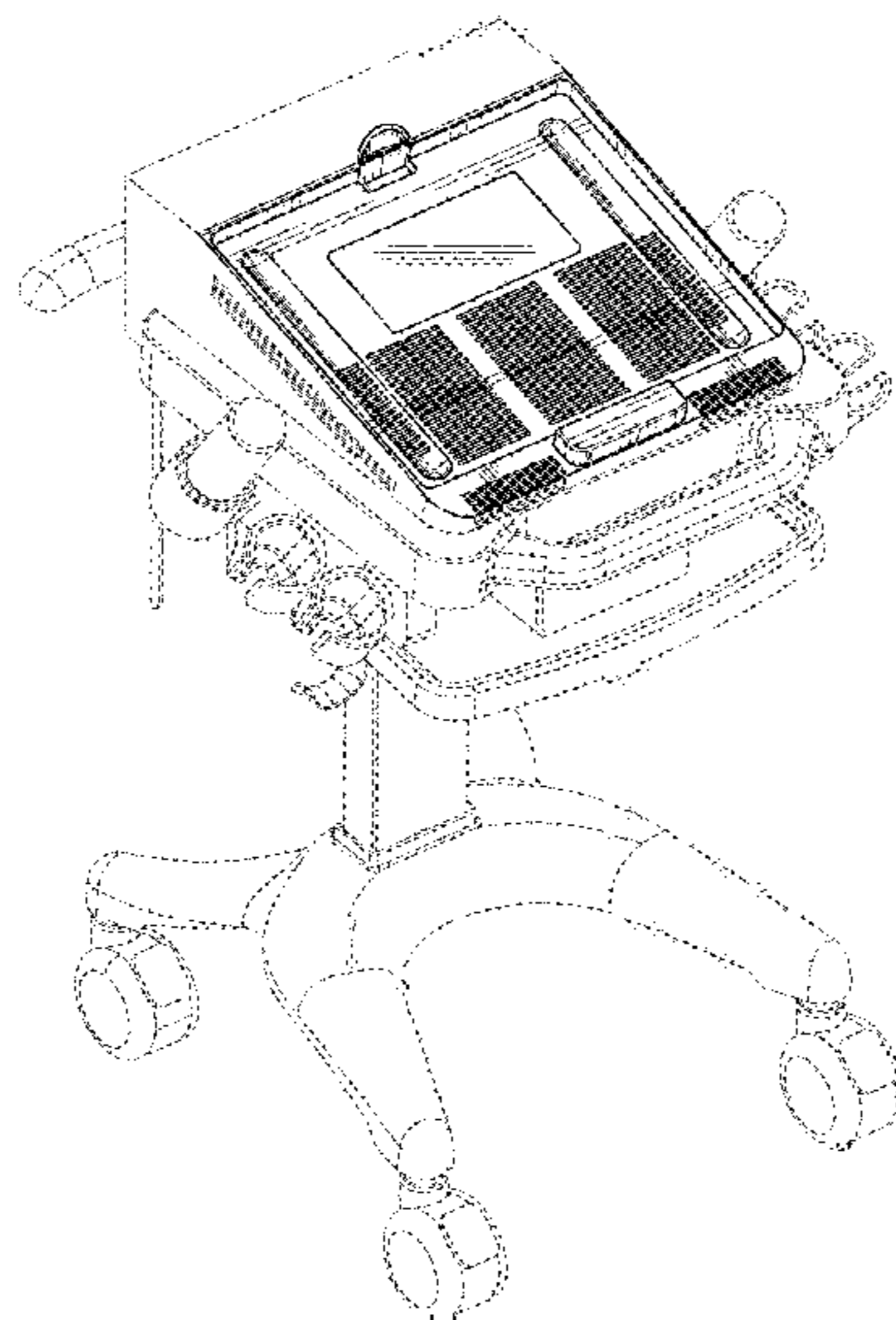
(57) **CLAIM**

We claim the ornamental design for an ultrasound cart, as shown and described.

DESCRIPTION

FIG. 1 is a perspective view of an ultrasound cart;
FIG. 2 is a front view of the claimed design shown in FIG. 1;
FIG. 3 is a rear view of the claimed design shown in FIG. 1;
FIG. 4 is a left side view of the claimed design shown in FIG. 1;
FIG. 5 is a right side view of the claimed design shown in FIG. 1;
FIG. 6 is a top view of the claimed design shown in FIG. 1;
and,
FIG. 7 is a bottom view of the claimed design shown in FIG. 1.
The broken lines illustrate portions of the ultrasound cart that form no part of the claimed design.

1 Claim, 7 Drawing Sheets



(56)

References Cited

U.S. PATENT DOCUMENTS

D712,539	S	9/2014	Hansen et al.	
D712,540	S	9/2014	Hansen et al.	
D730,528	S *	5/2015	Yang	D24/185
D735,868	S	8/2015	Mareguddi et al.	
D757,711	S	5/2016	Henderson et al.	
D764,454	S	8/2016	Henderson et al.	
D777,927	S	1/2017	Choudhary	
D810,305	S *	2/2018	Zhang	D24/185
2003/0090473	A1	5/2003	Joshi	
2005/0251035	A1	11/2005	Wong et al.	
2010/0004535	A1	1/2010	Song et al.	
2014/0098049	A1	4/2014	Koch et al.	
2014/0117635	A1	5/2014	Ninomiya et al.	
2016/0157824	A1 *	6/2016	Park	A61B 8/463 600/437

* cited by examiner

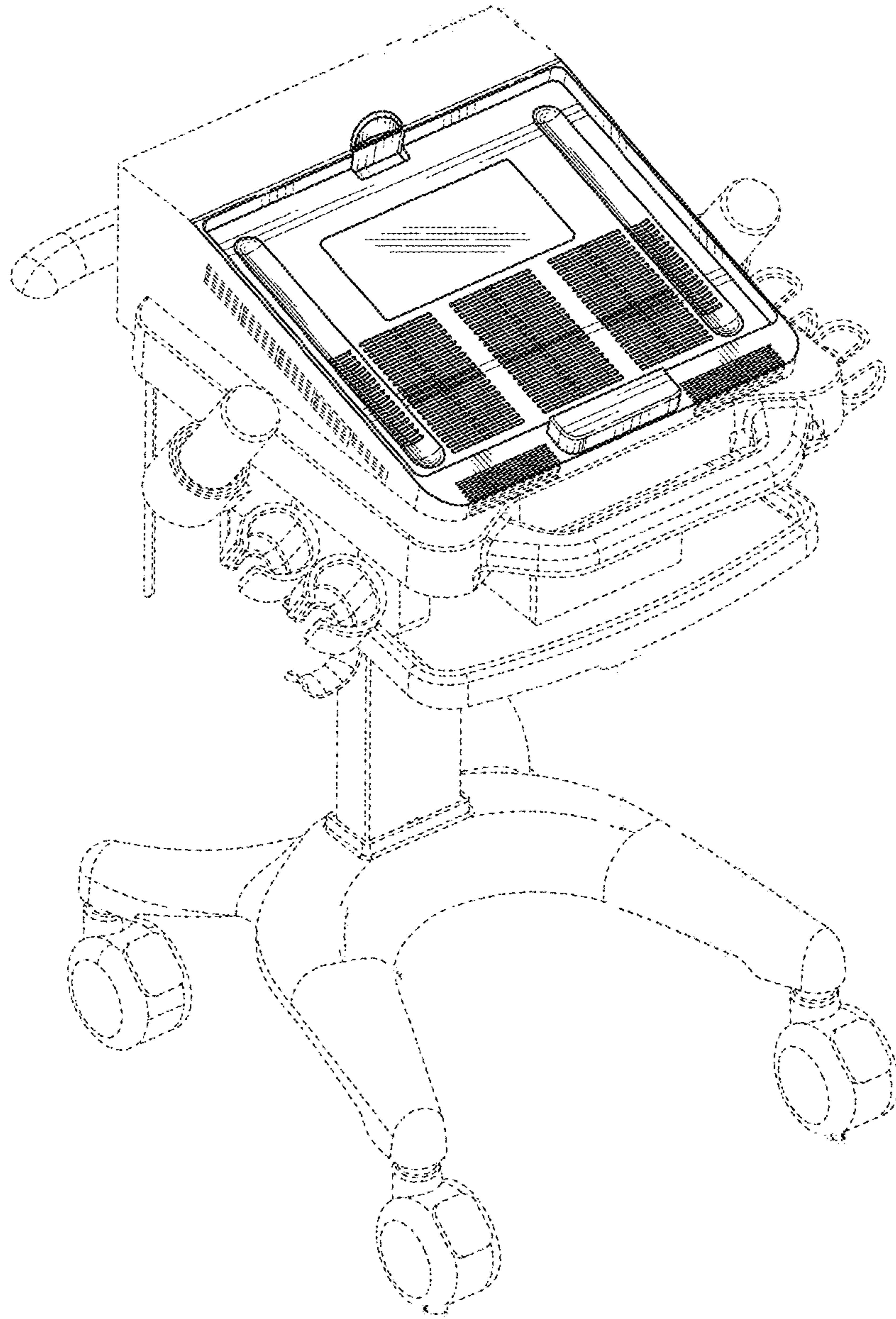


FIG. 1

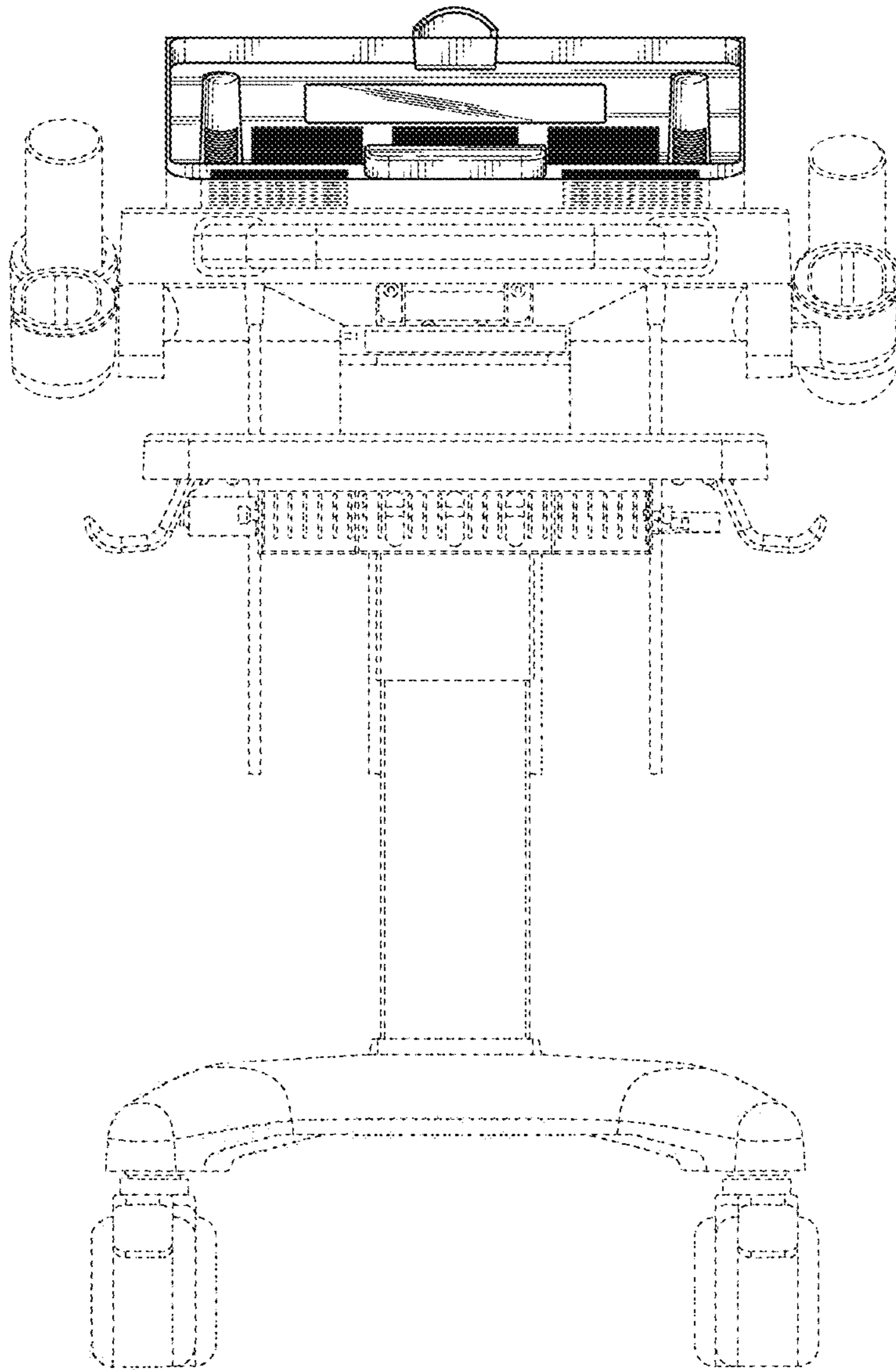


FIG. 2

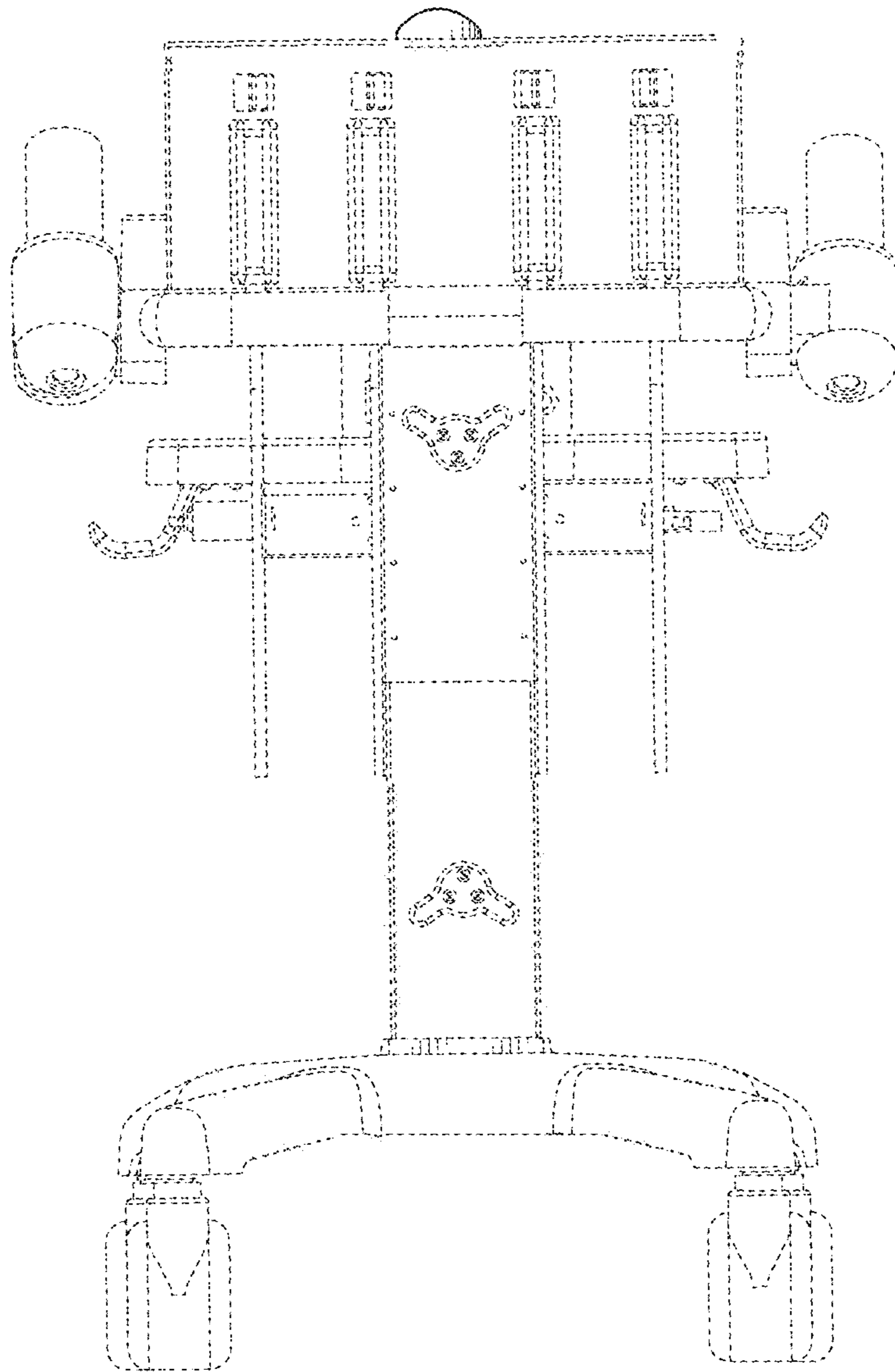


FIG. 3

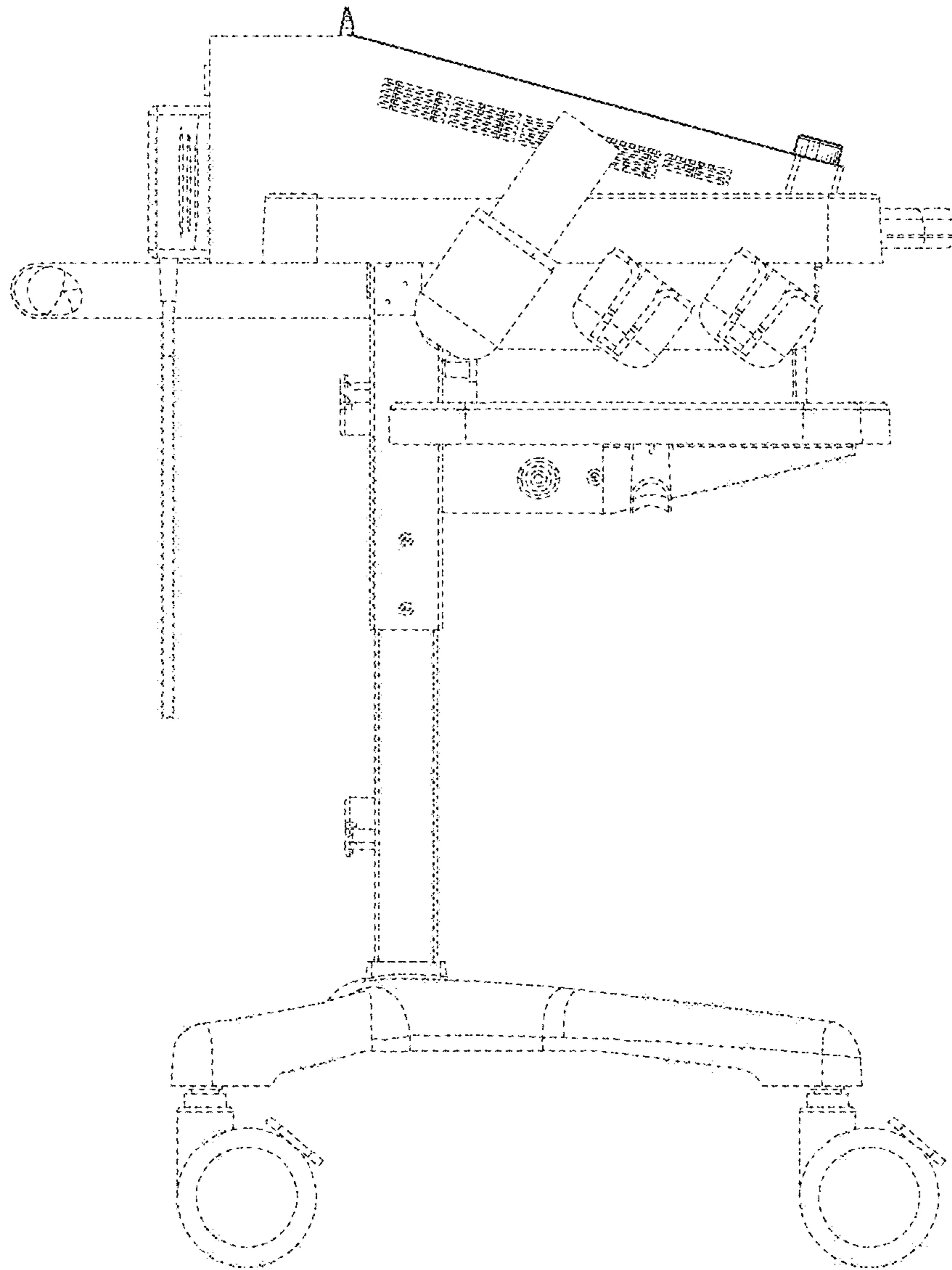


FIG. 4

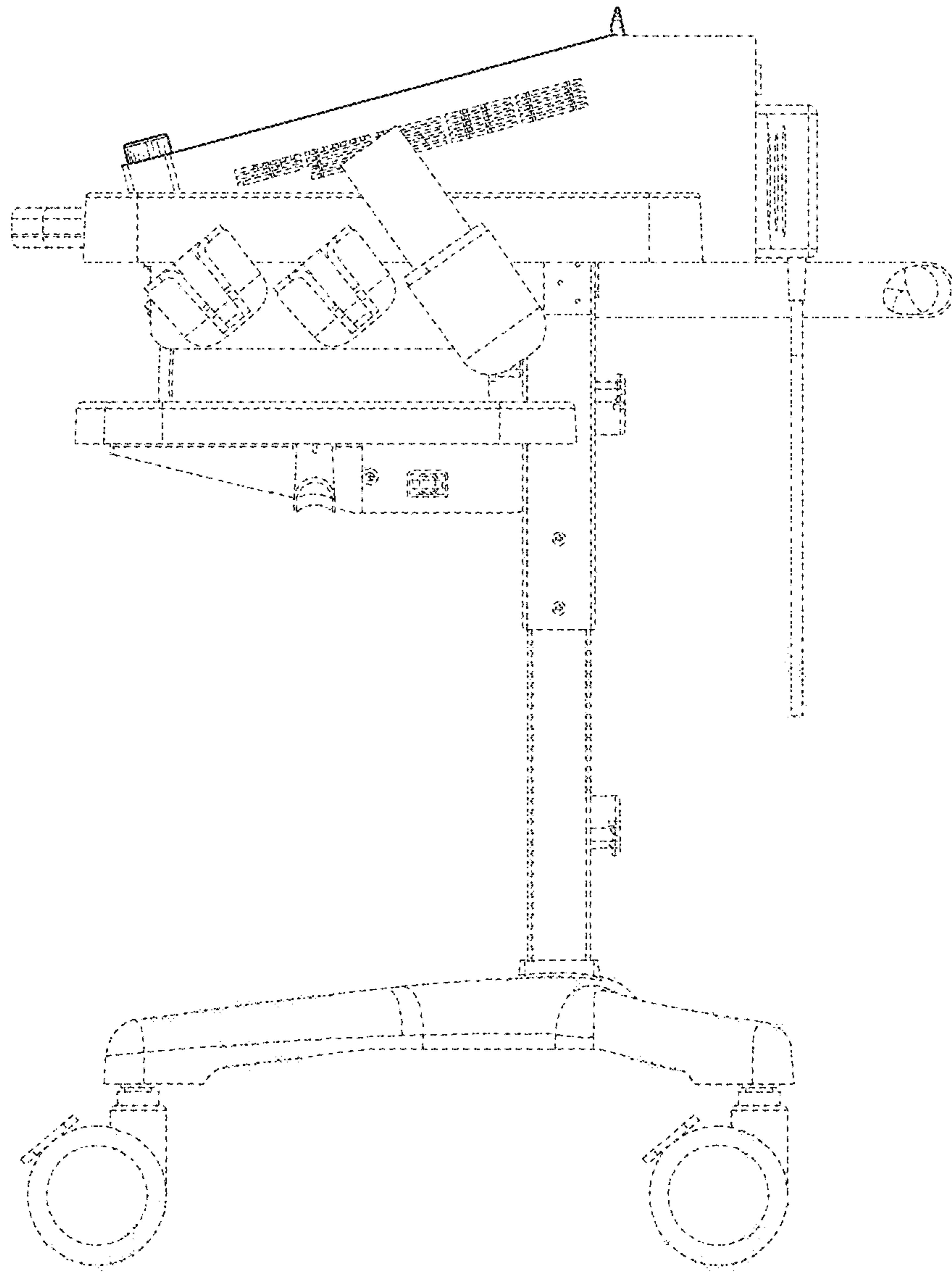


FIG. 5

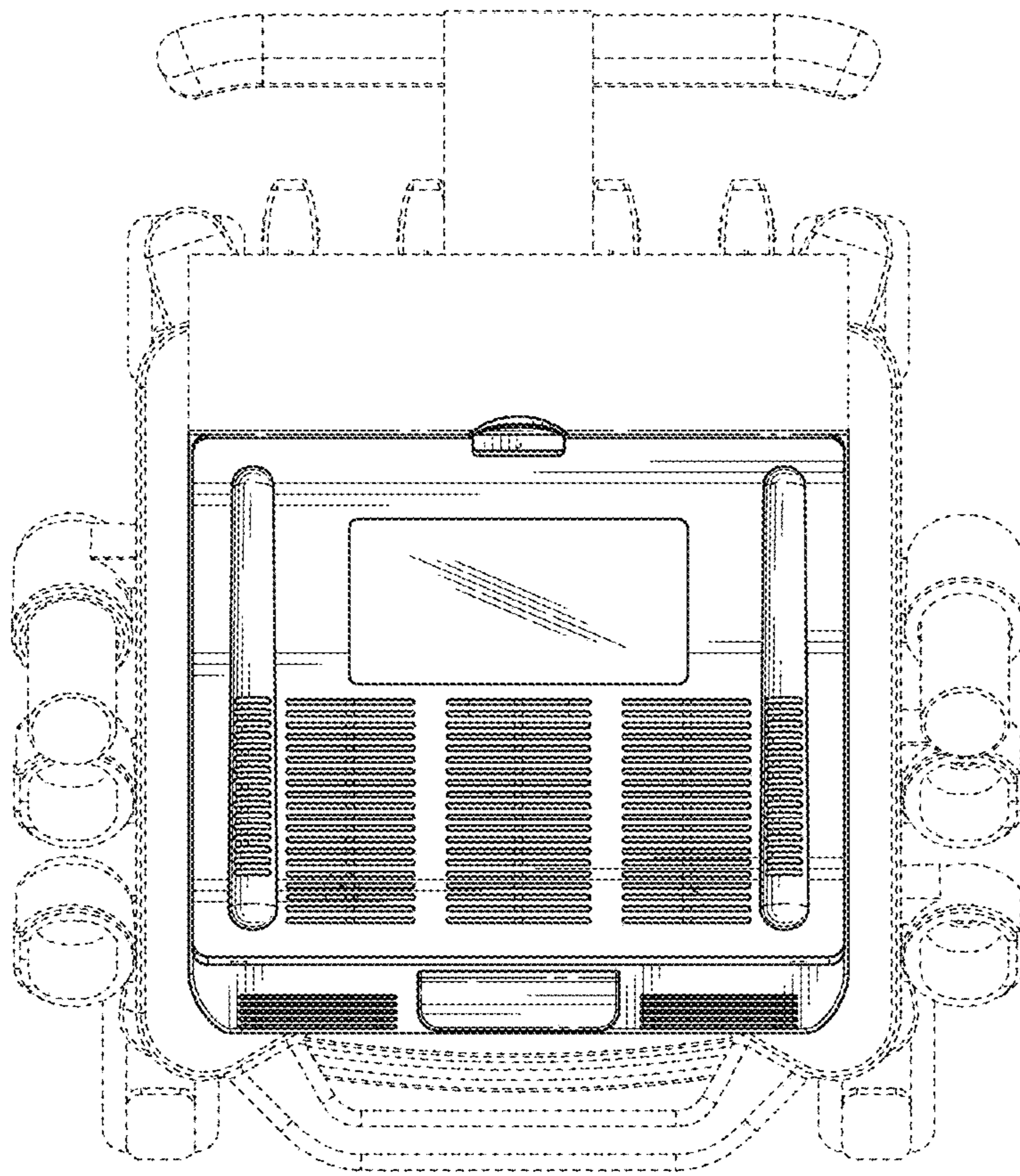


FIG. 6

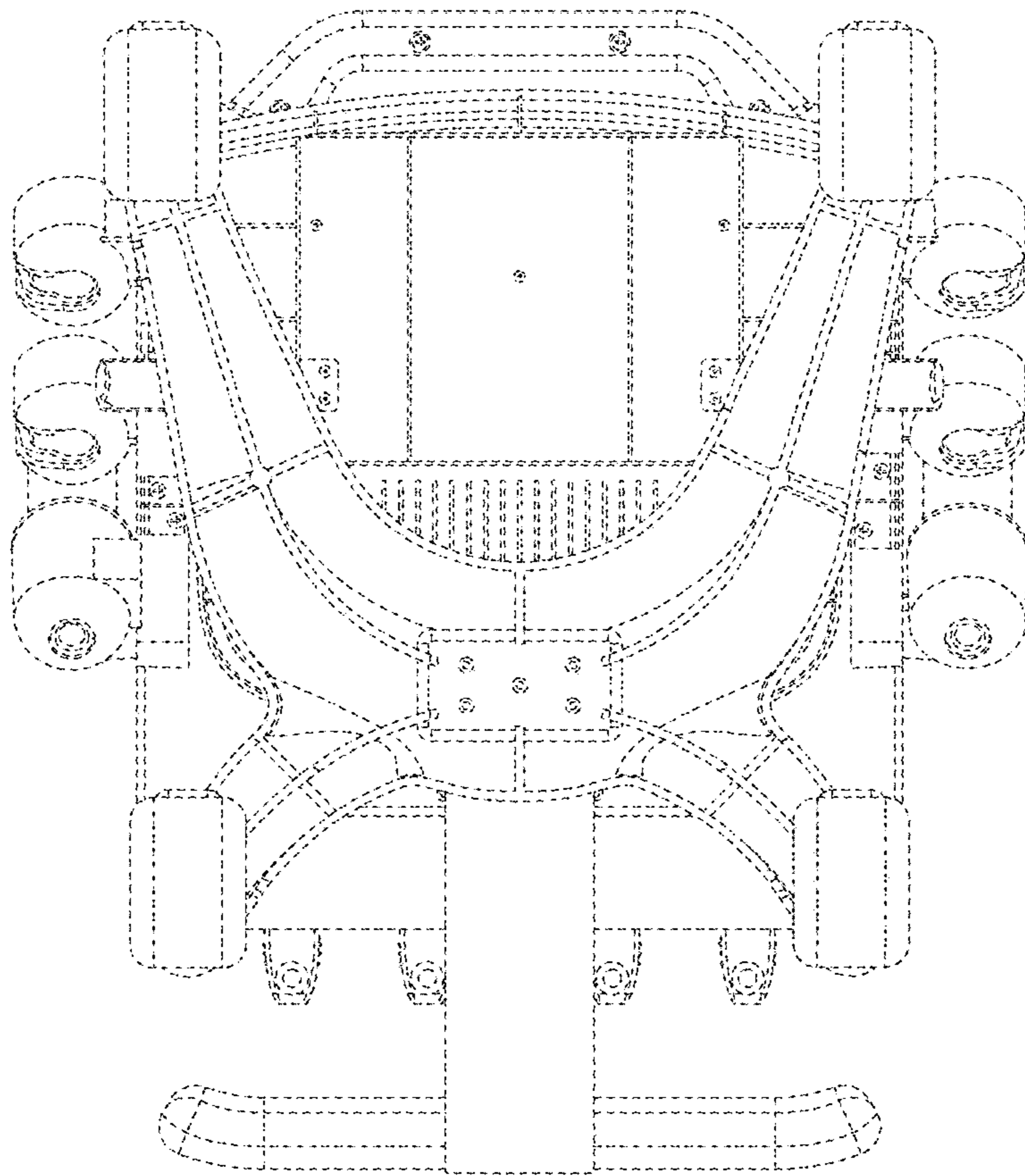


FIG. 7