



US00D853563S

(12) **United States Design Patent**
Thomé et al.

(10) **Patent No.:** **US D853,563 S**
(45) **Date of Patent:** **** Jul. 9, 2019**

(54) **STAR SHAPED DRIVER**

(71) Applicant: **JJGC INDÚSTRIA E COMÉRCIO DE MATERIAIS DENTÁRIOS S.A.,**
Curitiba (BR)

(72) Inventors: **Geninho Thomé, Curitiba (BR); Felix Andreas Mertin, Curitiba (BR); Rafael Calixto Salatti, Curitiba (BR); Ilderaldo Jose Lucca, Curitiba (BR)**

(73) Assignee: **JJGC INDÚSTRIA E COMÉRCIO DE MATERIAIS DENTÁRIOS S.A.,**
Curitiba (BR)

(**) Term: **15 Years**

(21) Appl. No.: **29/638,086**

(22) Filed: **Feb. 23, 2018**

(30) **Foreign Application Priority Data**

Aug. 23, 2017 (BR) 302017003693-7

(51) **LOC (11) Cl.** **24-02**

(52) **U.S. Cl.**
USPC **D24/152**

(58) **Field of Classification Search**
USPC D24/152, 156, 176, 146–147, 133;
D8/82–83
CPC A61C 8/0089; A61C 8/0096; A61C 1/084;
A61C 1/085; A61C 3/00; A61C 3/02;
A61C 19/00
See application file for complete search history.

(56) **References Cited**

U.S. PATENT DOCUMENTS

D747,482 S * 1/2016 Johnson D24/152
2011/0132944 A1* 6/2011 Gravitis A45F 5/00
224/267

2011/0177472 A1* 7/2011 Lee A61C 3/02
433/114
2014/0295374 A1* 10/2014 Jo A61C 8/0089
433/147
2017/0105813 A1* 4/2017 Rash A61C 8/0089

OTHER PUBLICATIONS

1.25mm Hex Drivers with GemLock Retention. Zimmer Biomet. Retrieved on Jan. 23, 2019. Retrieved from the Internet: <https://www.dentalcompare.com/5032-Dental-Implant-Drivers/35297-1-25mm-Hex-Drivers-with-GemLock-Retention/>.*

* cited by examiner

Primary Examiner — Wan Laymon

(74) *Attorney, Agent, or Firm* — Arc IP Law, PC; Joseph J. Mayo

(57) **CLAIM**

The ornamental design for a star shaped driver, as shown and described.

DESCRIPTION

FIG. 1 is a front upper perspective view of a star shaped driver.

FIG. 2 is a front lower perspective view of the star shaped driver of FIG. 1.

FIG. 3 is a front view of the star shaped driver of FIG. 1, of which the back view is a mirror image thereof.

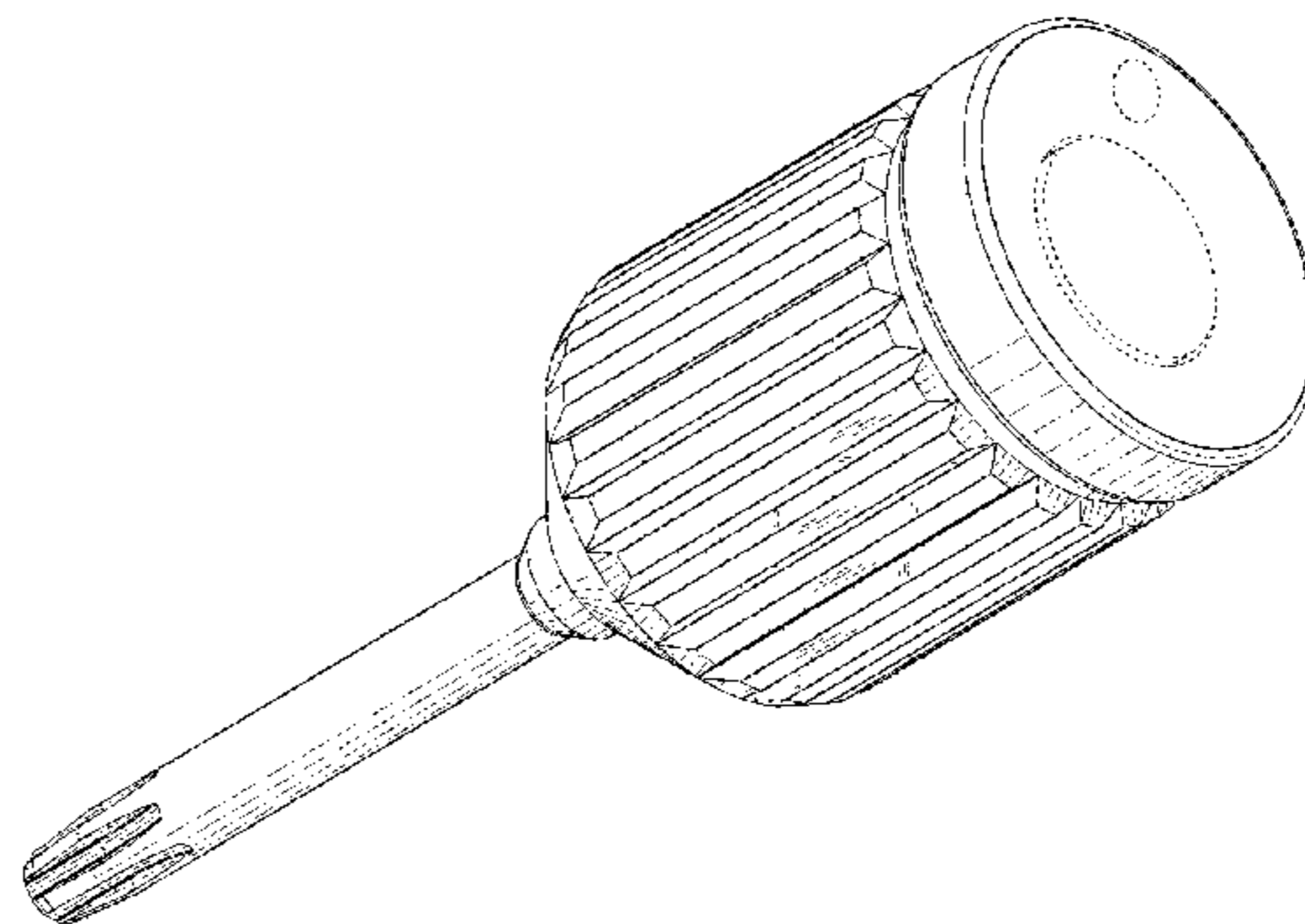
FIG. 4 is a left side view of the star shaped driver of FIG. 1, of which the right view is a mirror image thereof.

FIG. 5 is an enlarged top view of the star shaped driver of FIG. 1; and,

FIG. 6 is an enlarged bottom view of the star shaped driver of FIG. 1.

The broken lines immediately adjacent the shaded areas represent a slope change while all other broken lines are directed to environment and are for illustrative purposes only. The broken lines form no part of the claimed design.

1 Claim, 6 Drawing Sheets



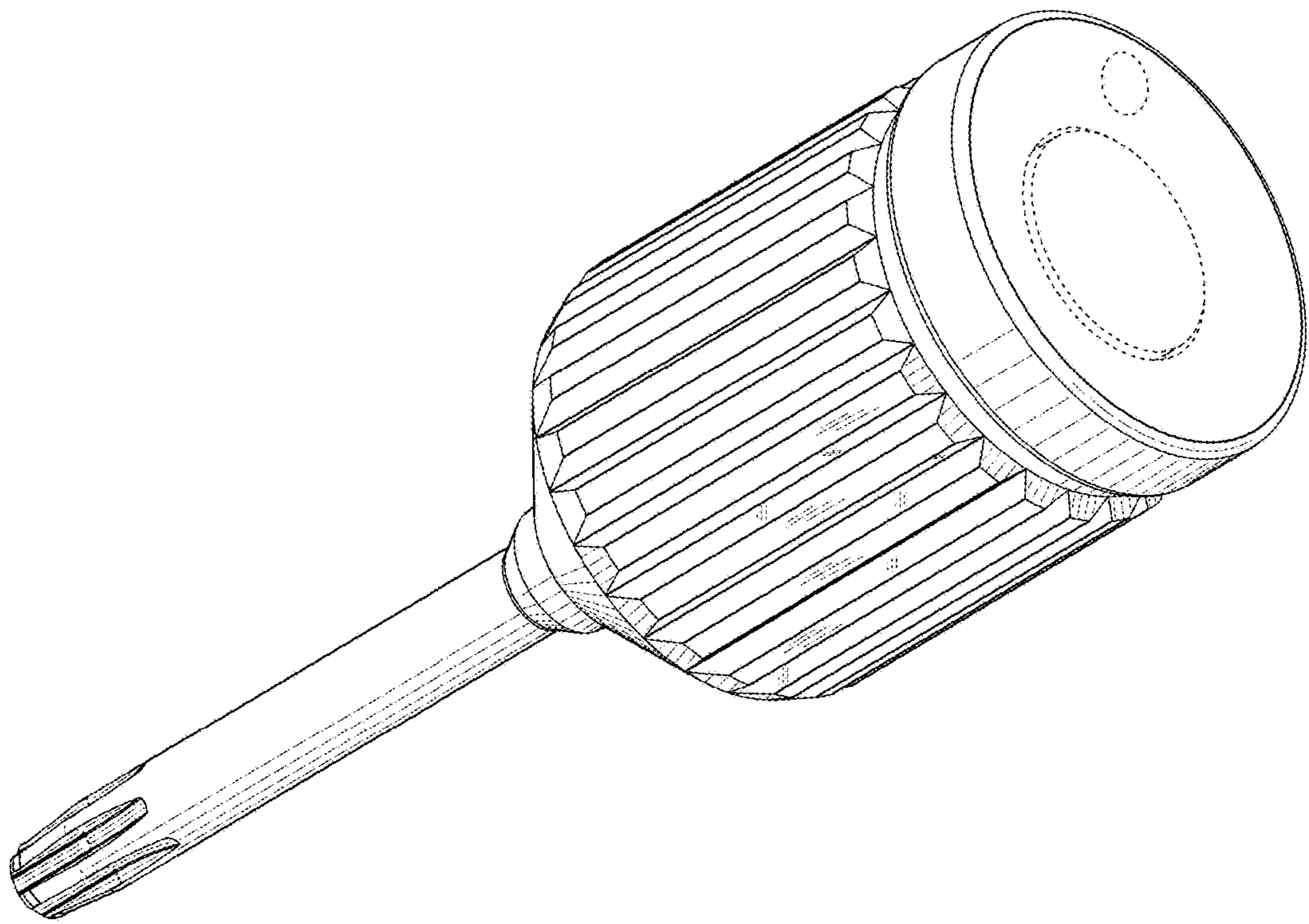


FIG. 1

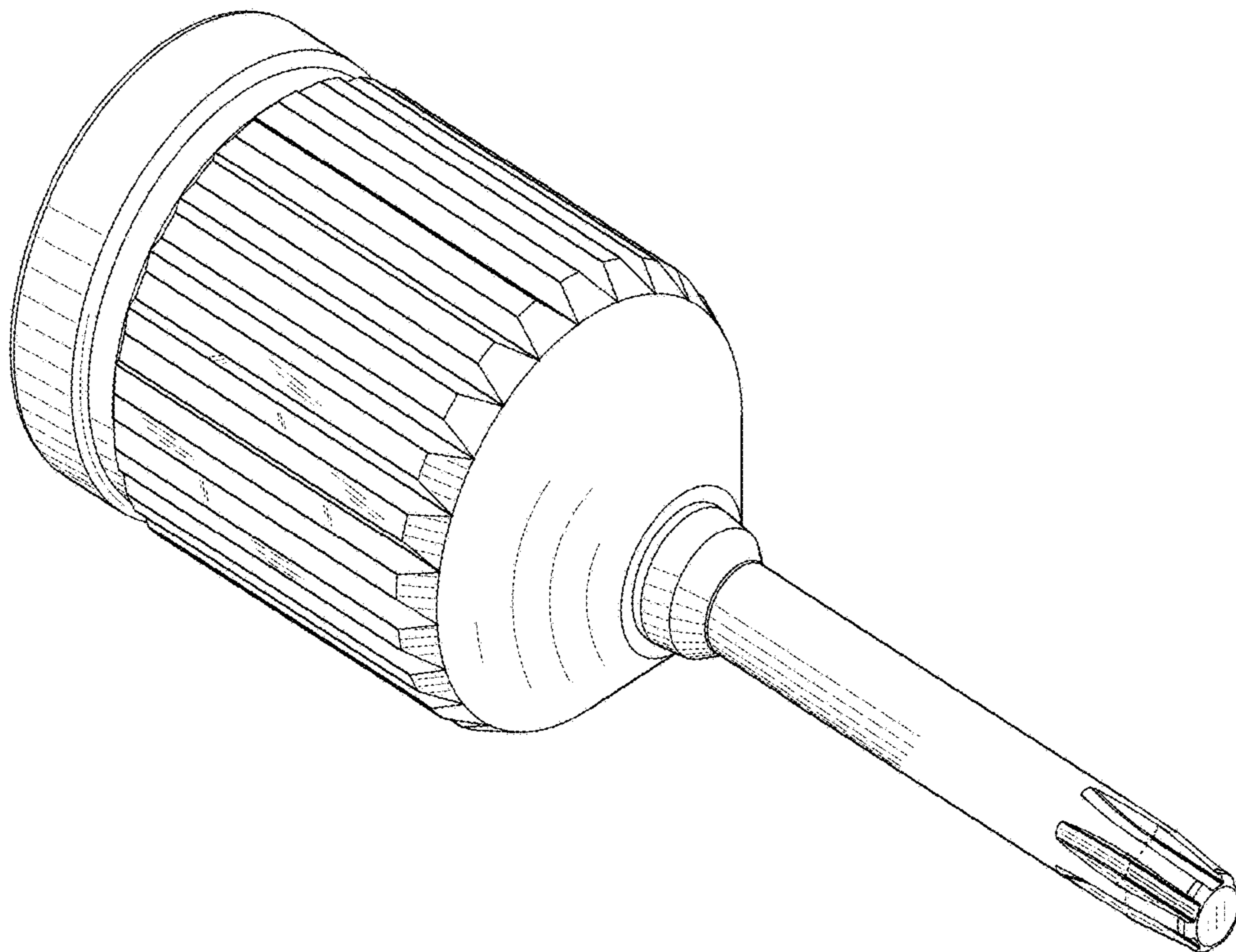


FIG. 2

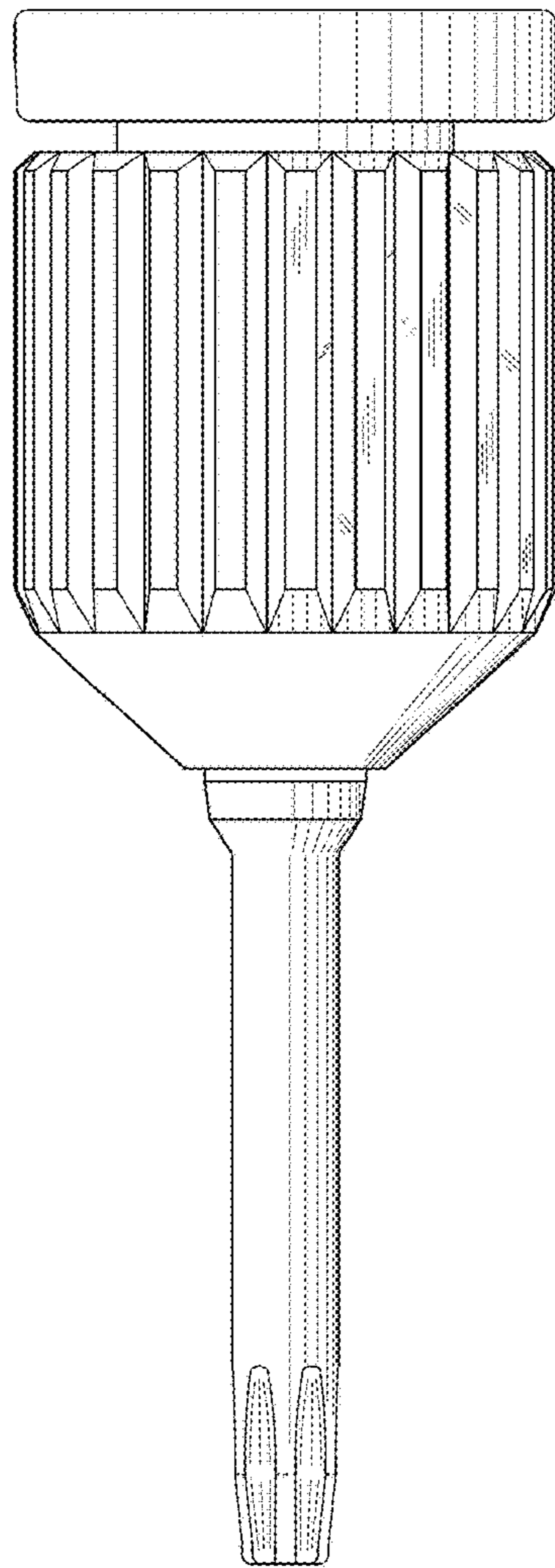


FIG. 3

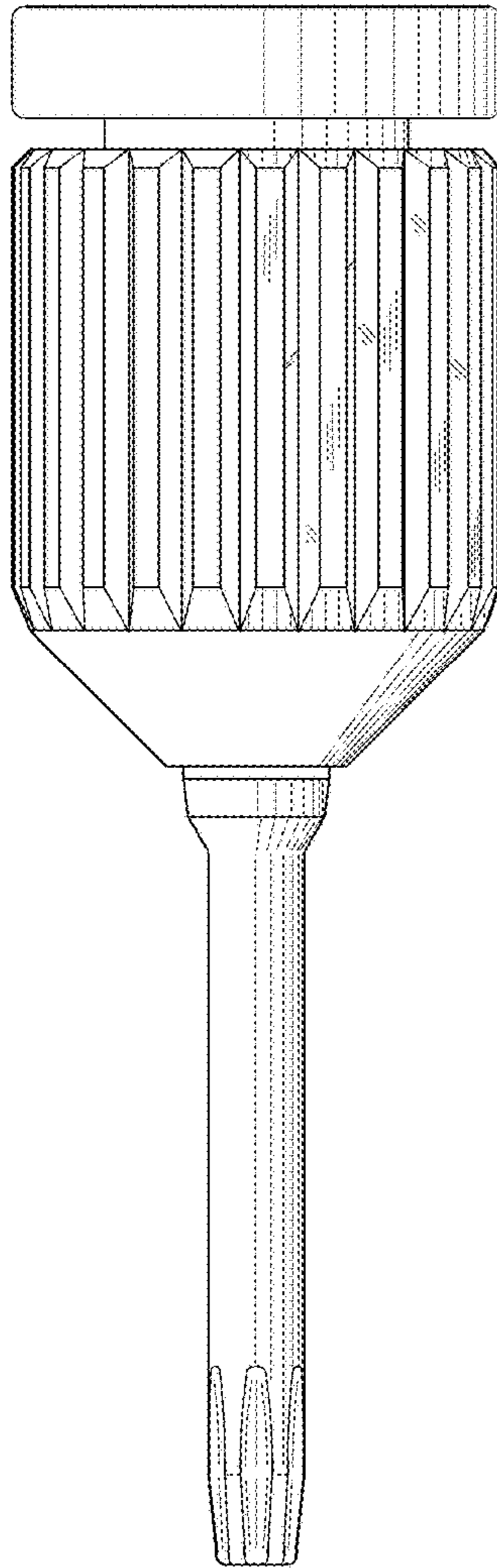


FIG. 4

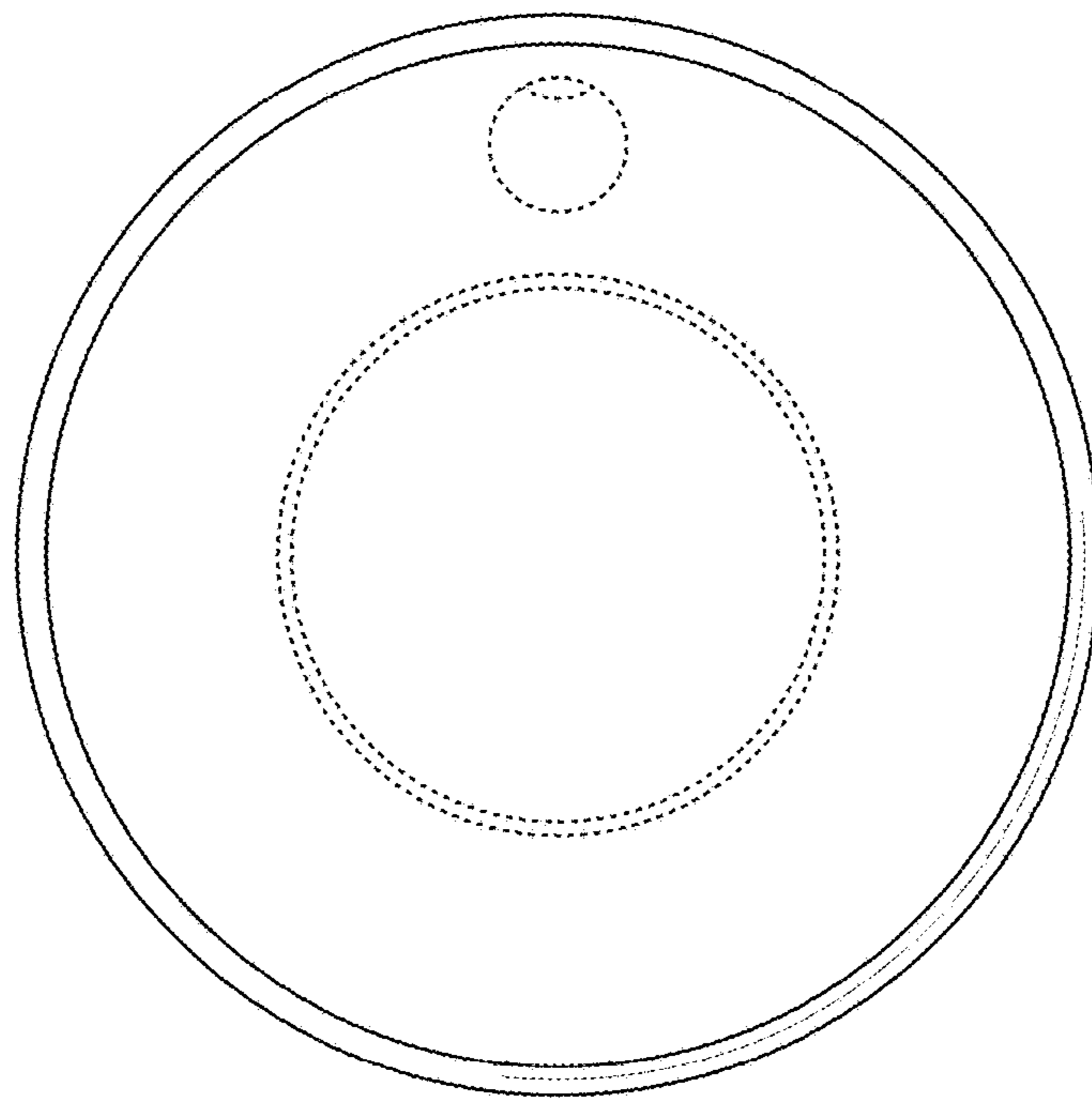


FIG. 5

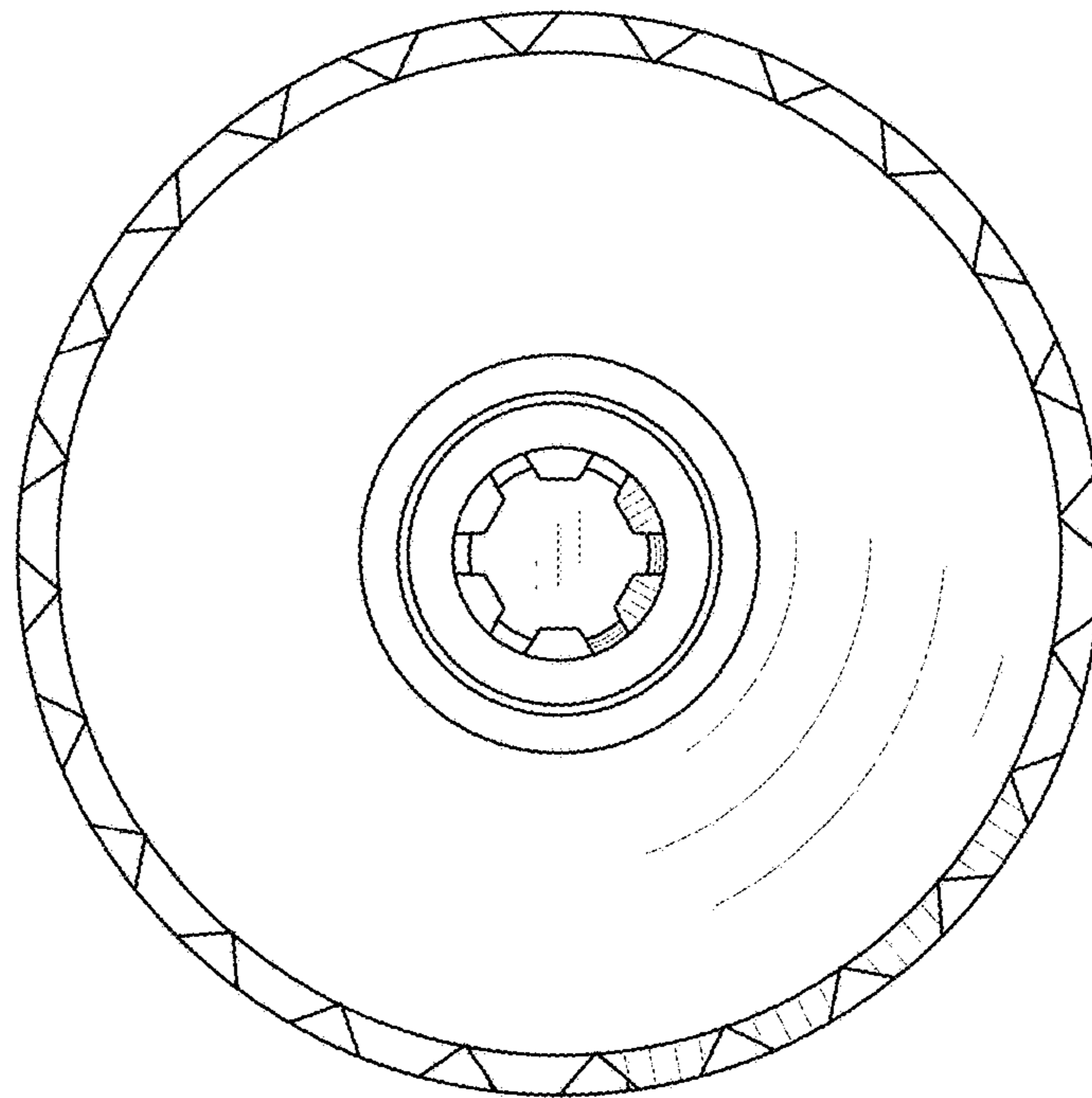


FIG. 6