



US00D853560S

(12) **United States Design Patent** (10) **Patent No.:** **US D853,560 S**  
**Malcolm et al.** (45) **Date of Patent:** **\*\* Jul. 9, 2019**

(54) **SPINAL IMPLANT INSERTION DEVICE**

- (71) Applicant: **NuVasive, Inc.**, San Diego, CA (US)
- (72) Inventors: **James R. Malcolm**, Marietta, GA (US);  
**David E. Lane, II**, Lawrenceville, GA (US); **Mark Peterson**, Central Point, OR (US)
- (73) Assignee: **NuVasive, Inc.**, San Diego, CA (US)
- (\*\*) Term: **14 Years**
- (21) Appl. No.: **29/496,752**
- (22) Filed: **Jul. 16, 2014**

**Related U.S. Application Data**

- (63) Continuation of application No. 12/248,563, filed on Oct. 9, 2008, now abandoned.
  - (51) **LOC (11) Cl.** ..... **24-02**
  - (52) **U.S. Cl.**  
USPC ..... **D24/133**
  - (58) **Field of Classification Search**  
USPC ..... D24/133, 135, 140, 141, 143, 144, 145, D24/146, 147
- (Continued)

(56) **References Cited**

**U.S. PATENT DOCUMENTS**

- 3,262,205 A \* 7/1966 Arden ..... A61B 17/3213 30/338
  - 3,486,505 A 12/1969 Morrison
- (Continued)

**FOREIGN PATENT DOCUMENTS**

- WO WO-1999/008627 A1 2/1999
- WO WO-2005/037149 A1 4/2005
- WO WO-2009/100400 A1 8/2009

**OTHER PUBLICATIONS**

International Search Report and Written Opinion of the International Searching Authority for PCT/US2009/033488 (WO 2009/100400) dated Mar. 25, 2009, 12 pages.  
(Continued)

*Primary Examiner* — Bridget L Eland  
*Assistant Examiner* — Lauren McVey

(57) **CLAIM**

The ornamental design for a spinal implant insertion device, as shown and described.

**DESCRIPTION**

FIG. 1 is a perspective view of a spinal implant insertion device showing our new design;

FIG. 2 is a side view of the spinal implant insertion device of FIG. 1;

FIG. 3 is a top view of the spinal implant insertion device of FIG. 1;

FIG. 4 is an enlarged perspective view of the spinal implant insertion device of FIG. 1, showing the distal end;

FIG. 5 is an enlarged side view of the spinal implant insertion device of FIG. 1, showing the distal end;

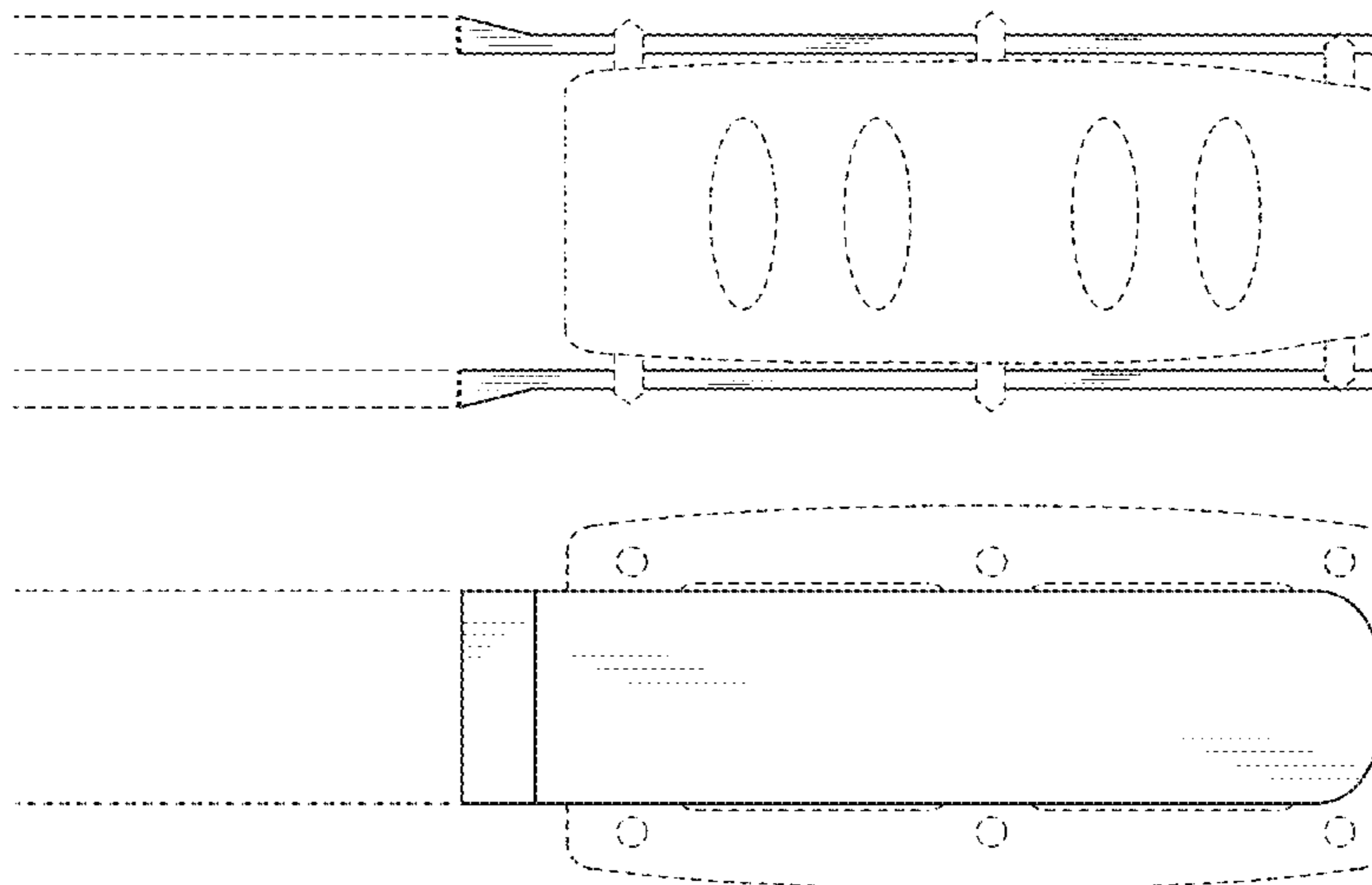
FIG. 6 is an enlarged top view of the spinal implant insertion device of FIG. 1, showing the distal end;

FIG. 7 is a side view of the spinal implant insertion device of FIG. 1, shown in a different environment and with environment removed in order to show aspect of the design that would not otherwise be apparent; and,

FIG. 8 is a side view of the spinal implant insertion device of FIG. 1, shown in yet another environment.

The dotted lines immediately adjacent to the shaded areas represent the bounds of the claimed design while all other evenly spaced broken lines are directed to environment and are for illustrative purposes only; the broken lines form no part of the claimed design. In addition, the unshaded surface directly adjoining the solid line edge in FIGS. 1, 3, 4, and 6 forms no part of the claimed design.

**1 Claim, 4 Drawing Sheets**



(58)	<b>Field of Classification Search</b>	5,836,958 A	11/1998	Ralph
	CPC .. A61F 2/4601; A61F 2/44; A61F 2/46; A61F	5,860,977 A	1/1999	Zucherman et al.
	2/447; A61F 2/4611; A61B 17/1635;	5,865,746 A	2/1999	Murugesan et al.
	A61B 17/70; A61B 17/7095; A61B	5,865,846 A	2/1999	Bryan et al.
	17/80; A61B 17/885; A61B 17/8802;	5,871,462 A	2/1999	Yoder et al.
	A61B 17/1285; A61B 17/1611; A61B	5,888,228 A	3/1999	Knothe et al.
	17/1659; A61B 18/1442; A61B 17/3468	5,904,689 A	5/1999	Jonjic
	See application file for complete search history.	5,906,616 A	5/1999	Mikhail
		5,925,051 A	7/1999	Mikhail
		5,944,658 A	8/1999	Koros et al.
		5,944,686 A	8/1999	Patterson et al.
		5,947,972 A	9/1999	Gage et al.
		5,976,146 A	11/1999	Ogawa et al.
		5,989,257 A	11/1999	Tidwell et al.
		5,997,895 A	12/1999	Narotam et al.
		6,004,191 A	12/1999	Schur et al.
		6,004,326 A	12/1999	Castro et al.
		6,013,028 A	1/2000	Jho et al.
		6,019,765 A	2/2000	Thornhill et al.
		6,030,356 A	2/2000	Carlson et al.
		6,030,388 A	2/2000	Yoshimi et al.
		6,030,390 A	2/2000	Mehdizadeh
		6,030,401 A	2/2000	Marino
		6,033,408 A	3/2000	Gage et al.
		6,033,438 A	3/2000	Bianchi et al.
		6,045,555 A	4/2000	Smith et al.
		6,090,143 A	7/2000	Meriwether et al.
		6,096,080 A	8/2000	Nicholson et al.
		6,113,602 A	9/2000	Sand
		6,120,503 A	9/2000	Michelson
		6,136,001 A	10/2000	Michelson
		6,142,998 A	11/2000	Smith et al.
		6,146,420 A	11/2000	McKay
		6,149,096 A	11/2000	Hartley
		6,152,871 A	11/2000	Foley et al.
		6,159,245 A	12/2000	Meriwether et al.
		6,180,085 B1	1/2001	Achilefu
		6,209,886 B1	4/2001	Estes et al.
		6,216,573 B1	4/2001	Moutafis et al.
		6,224,599 B1	5/2001	Baynham et al.
		6,235,805 B1	5/2001	Chang et al.
		6,238,397 B1	5/2001	Zucherman et al.
		6,241,733 B1	6/2001	Nicholson et al.
		6,241,769 B1	6/2001	Nicholson et al.
		6,245,108 B1	6/2001	Biscup
		6,258,094 B1	7/2001	Nicholson et al.
		6,261,293 B1	7/2001	Nicholson et al.
		6,261,295 B1	7/2001	Nicholson et al.
		6,261,296 B1	7/2001	Aebi et al.
		6,290,724 B1	9/2001	Marino
		6,299,613 B1	10/2001	Ogilvie et al.
		6,309,395 B1	10/2001	Smith et al.
		6,325,805 B1	12/2001	Ogilvie et al.
		6,328,738 B1	12/2001	Suddaby
		6,336,928 B1	1/2002	Guerin et al.
		6,364,880 B1	4/2002	Michelson
		6,375,635 B1	4/2002	Moutafis et al.
		6,387,096 B1	5/2002	Hyde, Jr.
		6,409,765 B1	6/2002	Bianchi et al.
		6,436,101 B1	8/2002	Hamada
		6,451,017 B1	9/2002	Moutafis et al.
		6,454,806 B1	9/2002	Cohen et al.
		6,467,556 B2	10/2002	Alsrube
		6,500,206 B1	12/2002	Bryan
		6,511,493 B1	1/2003	Moutafis et al.
		6,520,976 B1	2/2003	Gage
		6,524,318 B1	2/2003	Longhini et al.
		6,565,574 B2	5/2003	Michelson
		6,569,201 B2	5/2003	Moumene et al.
		6,616,669 B2	9/2003	Ogilvie et al.
		6,620,356 B1	9/2003	Wong et al.
		6,641,613 B2	11/2003	Sennett
		6,648,915 B2	11/2003	Sazy
		6,652,533 B2	11/2003	O'Neil
		6,666,866 B2	12/2003	Martz et al.
		6,669,710 B2	12/2003	Moutafis et al.
		6,673,113 B2	1/2004	Ralph et al.
		6,679,887 B2	2/2004	Nicholson et al.
		6,695,882 B2	2/2004	Bianchi et al.
(56)	<b>References Cited</b>			
	U.S. PATENT DOCUMENTS			
	3,697,011 A	10/1972	Christensen et al.	
	3,741,496 A	6/1973	Beller	
	3,836,092 A	9/1974	Hull	
	3,855,638 A	12/1974	Pilliar	
	4,039,156 A	8/1977	Abraham	
	4,041,939 A	8/1977	Hall	
	4,047,524 A	9/1977	Hall	
	4,206,516 A	6/1980	Pilliar	
	4,277,184 A	7/1981	Solomon	
	4,430,062 A	2/1984	Henrichsen et al.	
	4,462,402 A	7/1984	Burgio et al.	
	4,467,478 A	8/1984	Jurgutis	
	4,501,269 A	2/1985	Bagby	
	4,522,270 A	6/1985	Kishi	
	4,570,623 A	2/1986	Ellison et al.	
	4,580,978 A	4/1986	Motola et al.	
	4,592,346 A	6/1986	Jurgutis	
	4,743,256 A	5/1988	Brantigan	
	4,877,399 A	10/1989	Frank	
	4,991,570 A	2/1991	Bullard	
	5,037,422 A	8/1991	Hayhurst	
	5,053,038 A	10/1991	Sheehan	
	5,055,104 A	10/1991	Ray	
	5,058,823 A	10/1991	Emura et al.	
	5,282,744 A	2/1994	Meyer	
	5,290,295 A	3/1994	Querals et al.	
	5,311,640 A	5/1994	Holland	
	5,312,407 A	5/1994	Carter	
	5,312,417 A	5/1994	Wilk	
	5,324,307 A	6/1994	Jarrett et al.	
	5,329,834 A	7/1994	Wong	
	5,333,812 A	8/1994	Sato	
	5,354,292 A	10/1994	Braeuer et al.	
	5,395,372 A	3/1995	Holt et al.	
	5,431,658 A	7/1995	Moskovich	
	D364,462 S	11/1995	Michelson	
	5,520,611 A	5/1996	Rao et al.	
	5,527,312 A	6/1996	Ray	
	5,541,191 A	7/1996	Skotnicki et al.	
	5,549,607 A	8/1996	Olson et al.	
	5,558,674 A	9/1996	Heggeness et al.	
	D374,283 S	10/1996	Michelson	
	5,562,661 A	10/1996	Yoshimi et al.	
	5,569,246 A	10/1996	Ojima et al.	
	5,586,989 A	12/1996	Bray	
	5,595,563 A	1/1997	Moison	
	5,601,557 A	2/1997	Hayhurst	
	D378,409 S	3/1997	Michelson	
	5,609,636 A	3/1997	Kohrs	
	5,611,800 A	3/1997	Davis et al.	
	5,634,925 A	6/1997	Urbanski	
	5,653,763 A	8/1997	Errico et al.	
	5,658,337 A	8/1997	Kohrs	
	5,662,655 A	9/1997	Laboureau et al.	
	5,665,122 A	9/1997	Kambin	
	5,688,285 A	11/1997	Yamada	
	5,697,932 A	12/1997	Smith et al.	
	5,702,449 A	12/1997	McKay	
	5,704,892 A	1/1998	Adair	
	5,741,253 A	4/1998	Michelson	
	5,762,629 A	6/1998	Kambin	
	5,779,642 A	7/1998	Nightengale	
	5,782,919 A	7/1998	Zdeblick et al.	
	5,797,918 A	8/1998	McGuire et al.	
	5,836,948 A	11/1998	Zucherman et al.	

(56)

References Cited

U.S. PATENT DOCUMENTS

6,699,288 B2	3/2004	Moret	7,478,577 B1	1/2009	Wheeler
6,709,438 B2	3/2004	Dixon et al.	7,481,766 B2	1/2009	Lee et al.
6,719,760 B2	4/2004	Dorchak et al.	7,481,813 B1	1/2009	Purcell
6,719,795 B1	4/2004	Cornwall et al.	7,485,145 B2	2/2009	Purcell
6,730,125 B1	5/2004	Lin	D589,626 S	3/2009	Petersen
6,743,257 B2	6/2004	Castro	7,501,073 B2	3/2009	Wen et al.
6,764,491 B2	7/2004	Frey et al.	7,503,933 B2	3/2009	Michelson
6,773,437 B2	8/2004	Ogilvie et al.	7,503,934 B2	3/2009	Eisermann et al.
6,800,092 B1	10/2004	Williams et al.	7,503,936 B2	3/2009	Trieu
6,800,093 B2	10/2004	Nicholson et al.	D590,943 S	4/2009	Petersen
6,824,565 B2	11/2004	Muhanna et al.	D593,202 S	5/2009	Petersen
6,830,574 B2	12/2004	Heckele et al.	7,531,003 B2	5/2009	Reindel
6,890,728 B2	5/2005	Dolecek et al.	7,534,265 B1	5/2009	Boyd et al.
6,899,712 B2	5/2005	Moutafis et al.	7,534,270 B2	5/2009	Ball
6,923,792 B2	8/2005	Staid et al.	7,553,320 B2	6/2009	Molz, IV et al.
6,929,646 B2	8/2005	Gambale	D598,096 S *	8/2009	Petersen ..... D24/133
6,942,665 B2	9/2005	Gambale	7,578,820 B2	8/2009	Moore et al.
6,960,182 B2	11/2005	Moutafis et al.	D600,809 S *	9/2009	Petersen ..... D24/146
6,962,592 B2	11/2005	Gatturna et al.	7,582,058 B1	9/2009	Miles et al.
6,969,523 B1	11/2005	Mattern et al.	7,582,107 B2	9/2009	Trail et al.
6,974,480 B2	12/2005	Messerli et al.	7,595,043 B2	9/2009	Hedrick et al.
6,994,728 B2	2/2006	Zubok et al.	D603,502 S	11/2009	Petersen
7,004,946 B2	2/2006	Parker et al.	7,618,423 B1	11/2009	Valentine et al.
7,008,431 B2	3/2006	Simonson	7,625,374 B2	12/2009	Branch et al.
7,014,640 B2	3/2006	Kemppainen et al.	7,632,276 B2	12/2009	Fishbein
7,025,742 B2	4/2006	Rubenstein et al.	7,655,027 B2	2/2010	Michelson
7,025,769 B1	4/2006	Ferree	7,658,766 B2	2/2010	Melkent et al.
7,033,317 B2	4/2006	Pruitt	7,674,265 B2 *	3/2010	Smith ..... A61B 17/1671 606/79
7,041,136 B2	5/2006	Goble et al.	7,674,297 B2	3/2010	Falahee
7,066,961 B2	6/2006	Michelson	7,677,418 B2	3/2010	Henniges et al.
7,077,864 B2	7/2006	Byrd, III et al.	7,686,805 B2	3/2010	Michelson
7,094,257 B2	8/2006	Mujwid et al.	7,691,133 B2	4/2010	Partin et al.
7,122,017 B2	10/2006	Moutafis et al.	7,693,562 B2	4/2010	Marino et al.
7,128,760 B2	10/2006	Michelson	7,708,761 B2	5/2010	Petersen
7,135,043 B2	11/2006	Nakahara et al.	7,717,685 B2	5/2010	Moutafis et al.
7,182,782 B2	2/2007	Kirschman	7,722,530 B2	5/2010	Davison
7,204,825 B2	4/2007	Cimino et al.	7,722,613 B2	5/2010	Sutterlin et al.
7,207,992 B2	4/2007	Ritland	7,728,868 B2	6/2010	Razzaque et al.
7,211,112 B2	5/2007	Baynham et al.	7,730,563 B1	6/2010	Sklar et al.
7,214,186 B2	5/2007	Ritland	7,734,327 B2	6/2010	Colquhoun
7,223,292 B2	5/2007	Messerli et al.	7,740,634 B2	6/2010	Orbay et al.
7,232,463 B2	6/2007	Falahee	7,740,661 B2	6/2010	Baratz et al.
7,238,203 B2	7/2007	Bagga et al.	7,744,555 B2	6/2010	DiMauro et al.
7,255,703 B2	8/2007	Mujwid et al.	7,744,637 B2	6/2010	Johnson et al.
7,267,691 B2	9/2007	Keller et al.	7,744,973 B2	6/2010	Schoenle et al.
7,273,498 B2	9/2007	Bianchi et al.	7,749,231 B2	7/2010	Bonvallet et al.
7,288,093 B2	10/2007	Michelson et al.	7,749,253 B2	7/2010	Zucherman et al.
7,291,170 B2	11/2007	Huppert	7,749,269 B2	7/2010	Peterman et al.
7,316,070 B2	1/2008	Green	7,749,273 B2	7/2010	Cauthen et al.
7,329,283 B2	2/2008	Estes et al.	7,749,274 B2	7/2010	Razian
7,337,538 B2	3/2008	Moutafis et al.	7,749,276 B2	7/2010	Fitz
7,341,590 B2	3/2008	Ferree	7,749,279 B2	7/2010	Twomey et al.
7,341,591 B2	3/2008	Grinberg	7,749,555 B2	7/2010	Zanella et al.
7,357,284 B2	4/2008	Jauvin	7,751,865 B2	7/2010	Jascob et al.
7,357,804 B2	4/2008	Binder, Jr. et al.	7,753,911 B2	7/2010	Ray et al.
7,361,178 B2	4/2008	Hearn et al.	7,753,914 B2	7/2010	Ruhling et al.
7,364,657 B2	4/2008	Mandrusov et al.	7,753,938 B2	7/2010	Aschmann et al.
7,371,239 B2	5/2008	Dec et al.	7,753,940 B2	7/2010	Veldman et al.
7,377,923 B2	5/2008	Purcell et al.	7,753,962 B2	7/2010	Melder
7,387,643 B2	6/2008	Michelson	7,758,501 B2	7/2010	Frasier et al.
7,399,041 B2	7/2008	Prentner et al.	7,758,616 B2	7/2010	LeHuec et al.
D574,495 S	8/2008	Petersen	7,758,617 B2	7/2010	Iott et al.
7,406,775 B2	8/2008	Funk et al.	7,758,644 B2	7/2010	Trieu
7,410,334 B2	8/2008	McGrew	7,758,648 B2	7/2010	Castleman et al.
7,410,478 B2	8/2008	Yang	7,763,025 B2	7/2010	Assell et al.
7,413,065 B2	8/2008	Gauthier	7,763,035 B2	7/2010	Melkent et al.
7,421,772 B2	9/2008	Gao et al.	7,763,055 B2	7/2010	Foley
7,429,270 B2	9/2008	Baumgartner et al.	7,763,078 B2	7/2010	Peterman et al.
7,430,945 B2	10/2008	Gauthier et al.	7,763,080 B2	7/2010	Southworth
7,431,711 B2	10/2008	Moutafis et al.	D621,509 S	8/2010	Lovell
7,442,208 B2	10/2008	Mathieu et al.	D622,395 S	8/2010	Iott et al.
7,455,157 B2	11/2008	Kimes et al.	D622,843 S	8/2010	Horton
7,461,803 B2	12/2008	Boerner	D622,851 S	8/2010	Horton
7,473,255 B2	1/2009	McGarity et al.	7,766,914 B2	8/2010	McCormack et al.
7,476,226 B2	1/2009	Weikel et al.	7,766,918 B2	8/2010	Allard et al.
			7,766,930 B2	8/2010	DiPoto et al.
			7,766,940 B2	8/2010	Kwak et al.
			7,766,967 B2	8/2010	Francis

(56)

References Cited

U.S. PATENT DOCUMENTS

7,766,969 B2	8/2010	Justin et al.	2004/0167532 A1	8/2004	Olson, Jr. et al.
7,769,422 B2	8/2010	DiSilvestro et al.	2004/0176853 A1	9/2004	Sennett et al.
7,771,143 B2	8/2010	Bharadwaj et al.	2004/0215201 A1	10/2004	Lieberman
7,771,475 B2	8/2010	Michelson	2004/0230211 A1	11/2004	Moutafis et al.
7,771,476 B2	8/2010	Justis et al.	2005/0080418 A1	4/2005	Simonson
7,771,479 B2	8/2010	Humphreys et al.	2005/0124993 A1	6/2005	Chappuis
7,776,040 B2	8/2010	Markworth et al.	2005/0124994 A1	6/2005	Berger et al.
7,776,046 B2	8/2010	Boyd et al.	2005/0149035 A1	7/2005	Pimenta et al.
7,776,047 B2	8/2010	Fanger et al.	2005/0149192 A1	7/2005	Zucherman et al.
7,776,049 B1	8/2010	Curran et al.	2005/0149193 A1	7/2005	Zucherman et al.
7,776,075 B2	8/2010	Bruneau et al.	2005/0159765 A1	7/2005	Moutafis et al.
7,776,090 B2	8/2010	Winslow et al.	2005/0165405 A1	7/2005	Tsou
7,776,091 B2	8/2010	Mastrorio et al.	2005/0216002 A1	9/2005	Simonson
7,776,094 B2	8/2010	McKinley et al.	2005/0216018 A1	9/2005	Sennett
7,776,095 B2	8/2010	Peterman et al.	2005/0251257 A1	11/2005	Mitchell et al.
7,776,594 B2	8/2010	Bays et al.	2005/0267443 A1	12/2005	Staid et al.
7,780,707 B2	8/2010	Johnson et al.	2005/0283150 A1	12/2005	Moutafis et al.
7,794,396 B2	9/2010	Gattani et al.	2005/0283236 A1	12/2005	Razian
7,794,501 B2	9/2010	Edie et al.	2006/0004167 A1	1/2006	Alamin et al.
7,799,034 B2	9/2010	Johnson et al.	2006/0004367 A1	1/2006	Alamin et al.
7,799,036 B2	9/2010	Davison et al.	2006/0057786 A1	3/2006	McKinley
7,799,053 B2	9/2010	Haid et al.	2006/0100304 A1	5/2006	Vresilovic et al.
7,799,054 B2	9/2010	Kwak et al.	2006/0111779 A1	5/2006	Petersen
7,799,055 B2	9/2010	Lim	2006/0111780 A1	5/2006	Petersen
7,799,056 B2	9/2010	Sankaran	2006/0122597 A1	6/2006	Jones et al.
7,799,076 B2	9/2010	Sybert et al.	2006/0155170 A1	7/2006	Hanson et al.
7,799,078 B2	9/2010	Embry et al.	2006/0167461 A1	7/2006	Hawkins et al.
7,799,083 B2	9/2010	Smith et al.	2006/0190081 A1	8/2006	Kraus
7,806,901 B2	10/2010	Stad et al.	2006/0229550 A1	10/2006	Staid et al.
7,811,327 B2	10/2010	Hansell et al.	2006/0247650 A1	11/2006	Yerby et al.
7,811,329 B2	10/2010	Ankney et al.	2006/0264808 A1	11/2006	Staid et al.
7,815,681 B2	10/2010	Ferguson	2006/0264964 A1	11/2006	Scifert et al.
7,819,801 B2	10/2010	Miles et al.	2007/0003598 A1	1/2007	Trieu
D627,460 S	11/2010	Horton	2007/0016299 A1	1/2007	Eckman
7,824,328 B2	11/2010	Gattani et al.	2007/0043442 A1	2/2007	Abernathie
7,824,332 B2	11/2010	Fakhrai	2007/0067034 A1	3/2007	Chirico et al.
7,824,410 B2	11/2010	Simonson et al.	2007/0073110 A1	3/2007	Larson et al.
7,828,804 B2	11/2010	Li et al.	2007/0073294 A1	3/2007	Larson et al.
7,828,845 B2	11/2010	Estes et al.	2007/0088007 A1	4/2007	Ng
7,828,849 B2	11/2010	Lim	2007/0172790 A1	7/2007	Doucette, Jr. et al.
7,837,713 B2	11/2010	Petersen	2007/0185496 A1	8/2007	Beckman et al.
7,837,732 B2	11/2010	Zucherman et al.	2007/0208423 A1	9/2007	Messerli et al.
D629,896 S	12/2010	Horton	2007/0213596 A1	9/2007	Hamada
7,846,210 B2	12/2010	Perez-Cruet et al.	2007/0213717 A1	9/2007	Trieu
7,850,733 B2	12/2010	Baynham et al.	2007/0213718 A1	9/2007	Trieu
7,850,735 B2	12/2010	Eisermann et al.	2007/0213822 A1	9/2007	Trieu
7,850,736 B2	12/2010	Heinz et al.	2007/0242869 A1	10/2007	Luo et al.
7,867,277 B1	1/2011	Tohmeh	2007/0250166 A1	10/2007	McKay
7,905,840 B2	3/2011	Pimenta et al.	2007/0270951 A1	11/2007	Davis et al.
7,927,361 B2	4/2011	Oliver et al.	2007/0276406 A1	11/2007	Mahoney et al.
7,935,124 B2	5/2011	Frey et al.	2007/0288007 A1	12/2007	Burkus et al.
7,951,107 B2	5/2011	Staid et al.	2008/0003255 A1	1/2008	Kerr et al.
D642,268 S	7/2011	Qureshi	2008/0009929 A1	1/2008	Harris et al.
7,985,256 B2	7/2011	Grotz et al.	2008/0015695 A1	1/2008	Eckman
8,088,163 B1	1/2012	Kleiner	2008/0033440 A1	2/2008	Moskowitz et al.
D656,610 S	3/2012	Kleiner	2008/0058606 A1	3/2008	Miles et al.
8,377,135 B1 *	2/2013	McLeod ..... A61F 2/442 623/17.11	2008/0147191 A1	6/2008	Lopez et al.
			2008/0154375 A1	6/2008	Serhan et al.
			2008/0154377 A1	6/2008	Voellmicke
			2008/0195058 A1	8/2008	Moutafis et al.
			2008/0249569 A1	10/2008	Waugh et al.
			2008/0255564 A1	10/2008	Michelson
			2008/0269904 A1	10/2008	Voorhies
D723,682 S *	3/2015	Kleiner ..... D24/133	2008/0188071 A1	11/2008	Biyani et al.
8,998,906 B2 *	4/2015	Kirschman ..... A61B 17/808 606/205	2008/0288071 A1	11/2008	Biyani et al.
			2009/0043312 A1	2/2009	Koulisis
RE45,639 E *	8/2015	Fraser	2009/0076440 A1	3/2009	Moutafis et al.
2002/0049448 A1	4/2002	Sand et al.	2009/0076556 A1	3/2009	McGarity et al.
2002/0116009 A1	8/2002	Fraser et al.	2009/0088765 A1	4/2009	Butler et al.
2003/0083738 A1	5/2003	Lee et al.	2009/0098184 A1	4/2009	Govil et al.
2003/0083747 A1	5/2003	Winterbottom	2009/0124860 A1	5/2009	Miles et al.
2003/0149482 A1	8/2003	Michelson	2009/0124980 A1	5/2009	Chen
2003/0225416 A1 *	12/2003	Bonvallet ..... A61B 17/025 606/105	2009/0125066 A1	5/2009	Krau et al.
			2009/0187194 A1	7/2009	Hamada
2004/0024466 A1	2/2004	Heerklotz et al.	2009/0192350 A1	7/2009	Mejia
2004/0034430 A1	2/2004	Falahee	2009/0192403 A1	7/2009	Gharib et al.
2004/0087956 A1	5/2004	Weikel et al.	2009/0198241 A1	8/2009	Phan
2004/0133217 A1	7/2004	Watschke	2009/0198245 A1	8/2009	Phan
2004/0143330 A1	7/2004	Sazy	2009/0198249 A1	8/2009	Phan
2004/0153158 A1	8/2004	Errico et al.			

(56)

References Cited

U.S. PATENT DOCUMENTS

2009/0198337 A1 8/2009 Phan  
 2009/0198338 A1 8/2009 Phan  
 2009/0198339 A1 8/2009 Kleiner et al.  
 2009/0203967 A1 8/2009 Branch et al.  
 2009/0204148 A1 8/2009 Lenke  
 2009/0204159 A1 8/2009 Justis et al.  
 2009/0204220 A1 8/2009 Trieu  
 2009/0222011 A1 9/2009 Lehuec et al.  
 2009/0248163 A1 10/2009 King et al.  
 2009/0259108 A1 10/2009 Miles et al.  
 2009/0264892 A1 10/2009 Beyar et al.  
 2009/0275995 A1 11/2009 Truckai  
 2009/0288071 A1 11/2009 Biyani et al.  
 2009/0299477 A1 12/2009 Clayton et al.  
 2009/0306692 A1 12/2009 Barrington et al.  
 2010/0010367 A1 1/2010 Foley et al.  
 2010/0010524 A1 1/2010 Barrington et al.  
 2010/0016903 A1 1/2010 Matityahu et al.  
 2010/0016972 A1 1/2010 Jansen et al.  
 2010/0016973 A1 1/2010 de Villiers et al.  
 2010/0030065 A1 2/2010 Farr et al.  
 2010/0036226 A9 2/2010 Marino et al.  
 2010/0036442 A1 2/2010 Laurysen et al.  
 2010/0042221 A1 2/2010 Boyd  
 2010/0057208 A1 3/2010 Dryer  
 2010/0063516 A1 3/2010 Parmer et al.  
 2010/0063554 A1 3/2010 Branch et al.  
 2010/0076335 A1 3/2010 Gharib et al.  
 2010/0076445 A1 3/2010 Pagano  
 2010/0076446 A1 3/2010 Gorek  
 2010/0082036 A1 4/2010 Reiley et al.  
 2010/0087828 A1 4/2010 Krueger et al.  
 2010/0087875 A1 4/2010 McGahan et al.  
 2010/0100141 A1 4/2010 DeVilliers et al.  
 2010/0105986 A1 4/2010 Miles et al.  
 2010/0105987 A1 4/2010 Miles et al.  
 2010/0121365 A1 5/2010 O'Sullivan et al.  
 2010/0121453 A1 5/2010 Peterman  
 2010/0125333 A1 5/2010 Zdeblick et al.  
 2010/0125338 A1 5/2010 Fitz  
 2010/0131020 A1 5/2010 Heinz et al.  
 2010/0137690 A1 6/2010 Miles et al.  
 2010/0137923 A1 6/2010 Greenhalgh et al.  
 2010/0145390 A1 6/2010 McCarthy et al.  
 2010/0145391 A1 6/2010 Kleiner  
 2010/0145452 A1 6/2010 Blaylock et al.  
 2010/0145461 A1 6/2010 Landry et al.  
 2010/0160923 A1 6/2010 Sand et al.  
 2010/0160982 A1 6/2010 Justis et al.  
 2010/0161062 A1 6/2010 Foley et al.  
 2010/0161074 A1 6/2010 McKay  
 2010/0168755 A1 7/2010 Reiley et al.  
 2010/0168862 A1 7/2010 Edie et al.  
 2010/0174326 A1 7/2010 Selover et al.  
 2010/0185286 A1 7/2010 Allard  
 2010/0185287 A1 7/2010 Allard  
 2010/0185288 A1 7/2010 Carls  
 2010/0191334 A1 7/2010 Keller  
 2010/0191337 A1 7/2010 Zamani et al.  
 2010/0198140 A1 8/2010 Lawson  
 2010/0199483 A1 8/2010 Justis et al.  
 2010/0204798 A1 8/2010 Gerbec  
 2010/0217398 A1 8/2010 Keller  
 2010/0222784 A1 9/2010 Schwab et al.  
 2010/0222824 A1 9/2010 Simonson  
 2010/0228294 A1 9/2010 LeHuec et al.  
 2010/0228351 A1 9/2010 Ankney et al.  
 2010/0234848 A1 9/2010 Sutterlin et al.  
 2010/0234957 A1 9/2010 Zdeblick et al.

2010/0256767 A1 10/2010 Melkent  
 2010/0256768 A1 10/2010 Lim et al.  
 2010/0262241 A1 10/2010 Alfaro et al.  
 2010/0286778 A1 11/2010 Eisermann et al.  
 2010/0286784 A1 11/2010 Curran et al.  
 2010/0298938 A1 11/2010 Humphreys et al.  
 2010/0312103 A1 12/2010 Gorek et al.  
 2010/0312290 A1 12/2010 McKinley et al.  
 2010/0312347 A1 12/2010 Arramon et al.  
 2011/0015748 A1 1/2011 Molz, IV  
 2011/0071536 A1 3/2011 Kleiner  
 2011/0093005 A1 4/2011 Baynham et al.  
 2011/0144755 A1 6/2011 Baynham et al.  
 2012/0035668 A1 2/2012 Manninen et al.  
 2013/0345710 A1\* 12/2013 Kleiner ..... A61F 2/4455  
 606/94  
 2015/0173808 A1\* 6/2015 Sack ..... A61B 17/1671  
 606/86 A  
 2015/0282943 A1\* 10/2015 McLean ..... A61F 2/447  
 623/17.16  
 2015/0351924 A1\* 12/2015 Vigliotti ..... A61F 2/447  
 623/17.16

OTHER PUBLICATIONS

University of Maryland Spine Program, "A Patient's Guide to Anterior Lumbar Interbody Fusion with Intervertebral Cages," University of Maryland Medical Center website, as early as 2003, available at [http://www.umm.edu/spinecenter/education/anterior\\_lumbar\\_interbody\\_fusion\\_with\\_intervertebral\\_cages.htm](http://www.umm.edu/spinecenter/education/anterior_lumbar_interbody_fusion_with_intervertebral_cages.htm), printed on Oct. 30, 2012, 9 pages.  
 Ray, Charles D., "Facet Joint Disorders and Back Pain," published on Spine-Health, Dec. 10, 2002, available at [www.spine-health.com/conditions/arthritis/facet-joint-disorders-and-back-pain](http://www.spine-health.com/conditions/arthritis/facet-joint-disorders-and-back-pain), printed Oct. 30, 2012, 2 pages.  
 Sasso, Rick C., "Screws, Cages or Both," Spine Universe website, as early as Aug. 18, 2002, available at <http://www.spineuniverse.com/displayarticle.php/article1363.html>, printed on Oct. 30, 2012, 9 pages.  
 Staehler, Richard A., "Spine Surgery for a Cervical Herniated Disc," published on Spine-Health, Jun. 12, 2002, available at [www.spine-health.com/conditions/herniated-disc/spine-surgery-a-cervical-herniated-disc](http://www.spine-health.com/conditions/herniated-disc/spine-surgery-a-cervical-herniated-disc), printed on Oct. 30, 2012, 2 pages.  
 Staehler, Richard A., "Summary of Cervical Herniated Disc Treatment Options," published on Spine-Health, Jun. 12, 2002, available at [www.spine-health.com/conditions/herniated-disc/summary-cervical-herniated-disc-treatment-options](http://www.spine-health.com/conditions/herniated-disc/summary-cervical-herniated-disc-treatment-options), printed on Oct. 30, 2012, 2 pages.  
 Ullrich, Jr., Peter F., "Anterior Cervical Spinal Fusion Surgery," published on Spine-Health, Oct. 7, 2005, available at [www.spine-health.com/treatment/back-surgery/anterior-cervical-spinal-fusion-surgery](http://www.spine-health.com/treatment/back-surgery/anterior-cervical-spinal-fusion-surgery), printed on Oct. 30, 2012, 4 pages.  
 Ullrich, Jr., Peter R., "Cervical Spinal Instrumentation," published on Spine-Health, Oct. 7, 2005, available at [www.spine-health.com/treatment/back-surgery/cervical-spinal-instrumentation](http://www.spine-health.com/treatment/back-surgery/cervical-spinal-instrumentation), printed on Oct. 30, 2012, 3 pages.  
 Wascher, Thomas M., "Anterior Cervical Decompression and Spine Fusion Procedure," published on Spine-Health, Aug. 29, 2001, available at [www.spine-health.com/treatment/spinal-fusion/anterior-cervical-decompression-and-spine-fusion-procedure](http://www.spine-health.com/treatment/spinal-fusion/anterior-cervical-decompression-and-spine-fusion-procedure), printed on Oct. 30, 2012, 2 pages.  
 "Vertebral column," from Wikipedia, the free encyclopedia, available at [http://en.wikipedia.org/wiki/Vertebral\\_column](http://en.wikipedia.org/wiki/Vertebral_column), printed on Oct. 30, 2012, 5 pages.  
 "Zygapophysial joint," from Wikipedia, the free encyclopedia, available at [http://en.wikipedia.org/wiki/Zygapophysial\\_joint](http://en.wikipedia.org/wiki/Zygapophysial_joint), printed on Oct. 30, 2012, 3 pages.

\* cited by examiner

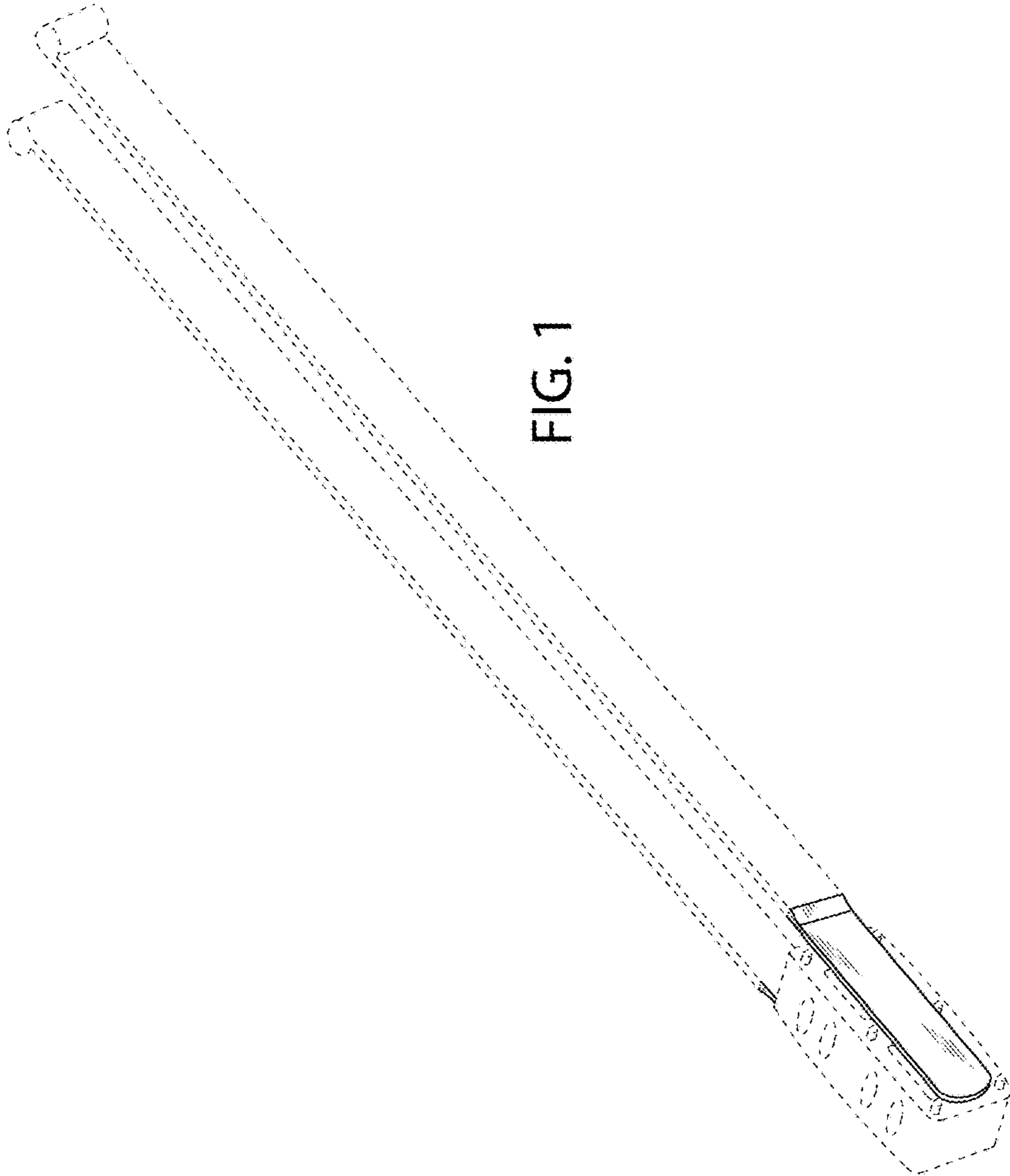


FIG. 1

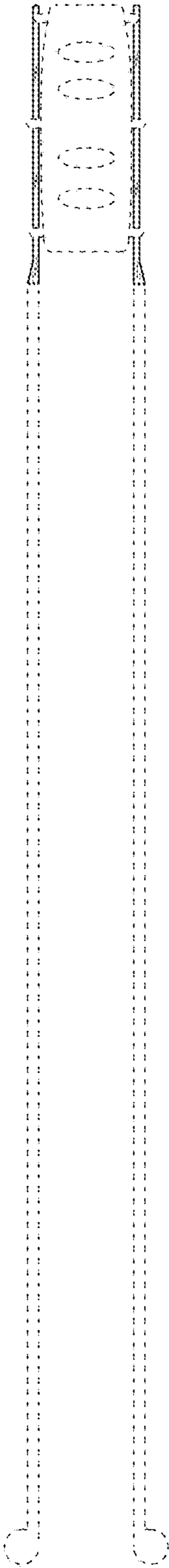


FIG. 2

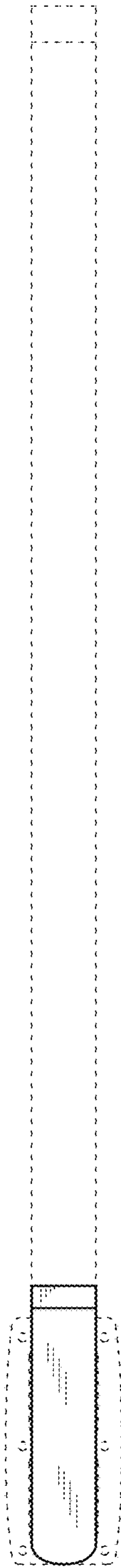


FIG. 3

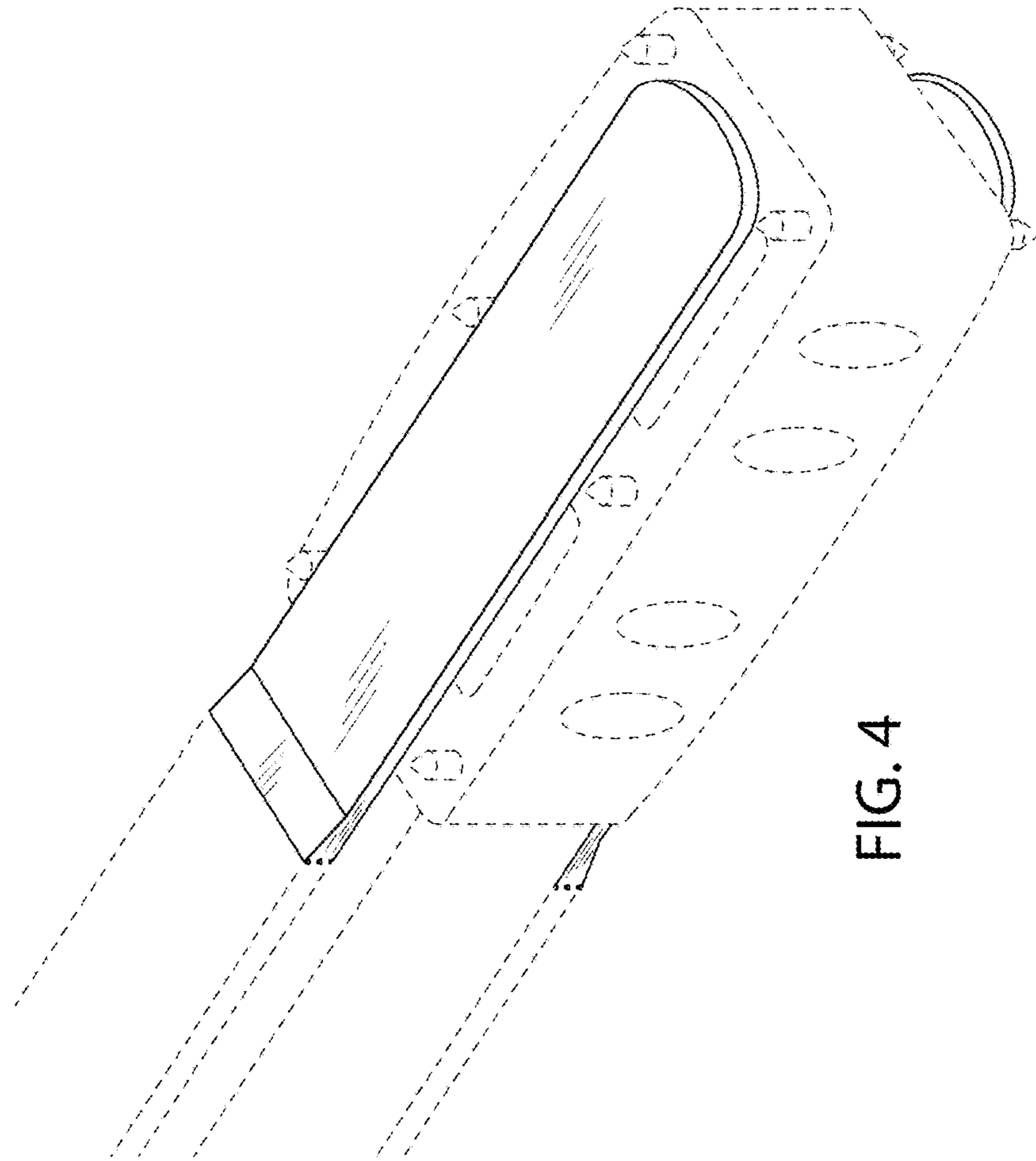


FIG. 4

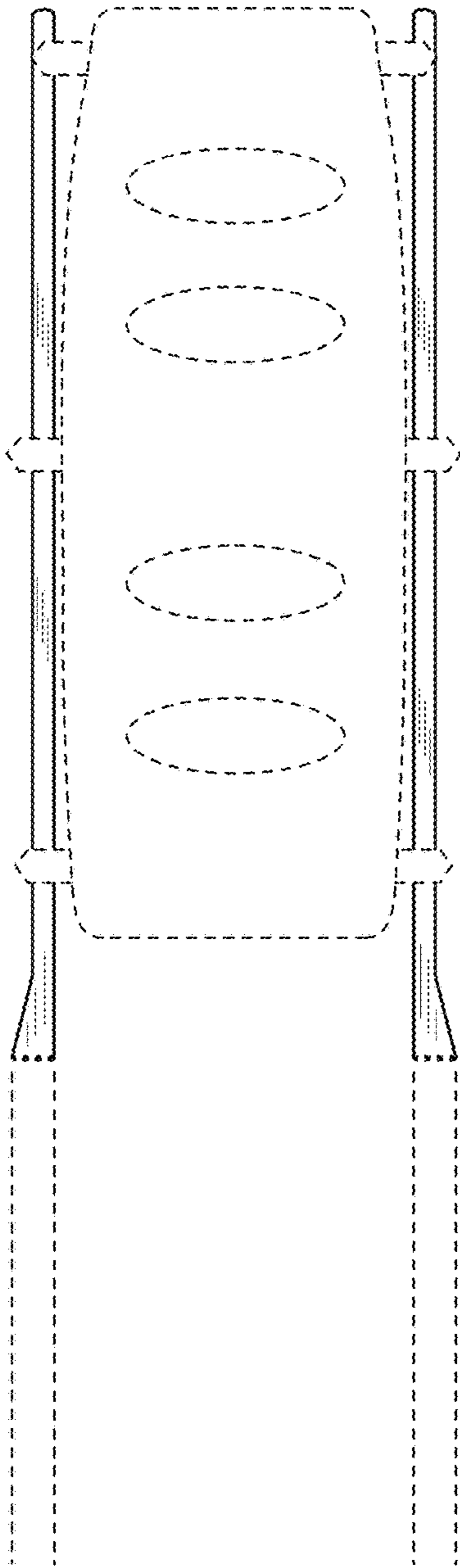


FIG. 5

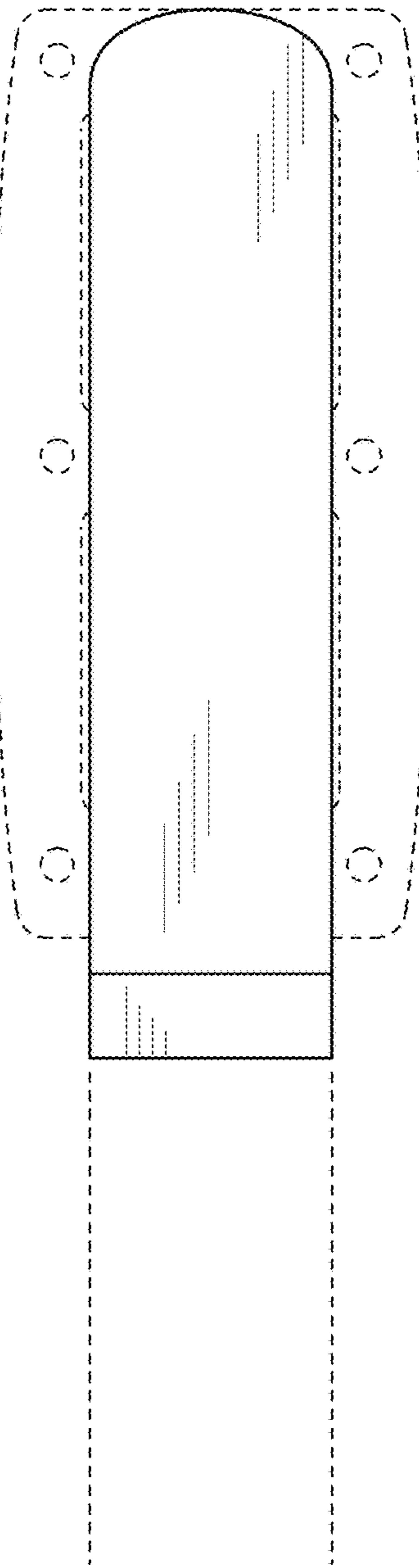


FIG. 6



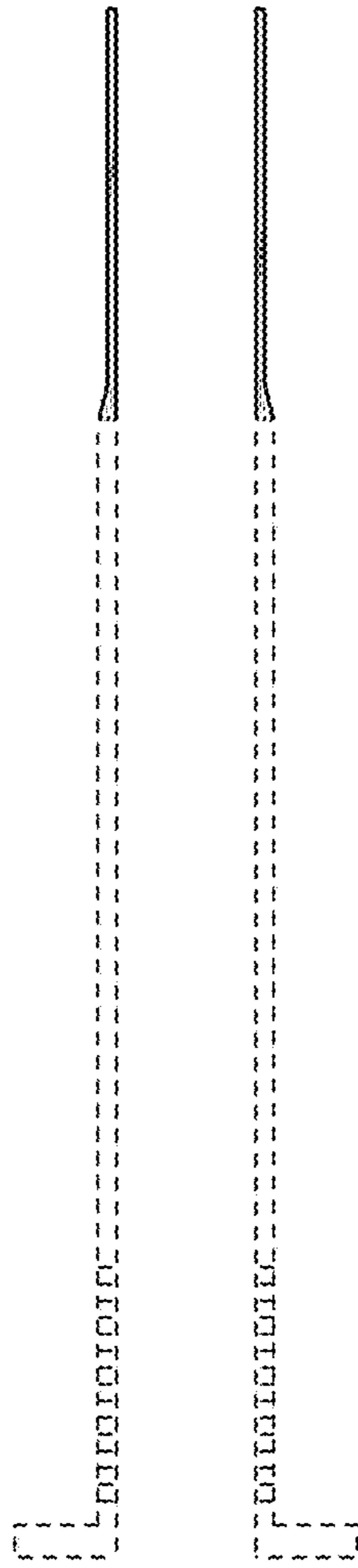


FIG. 7

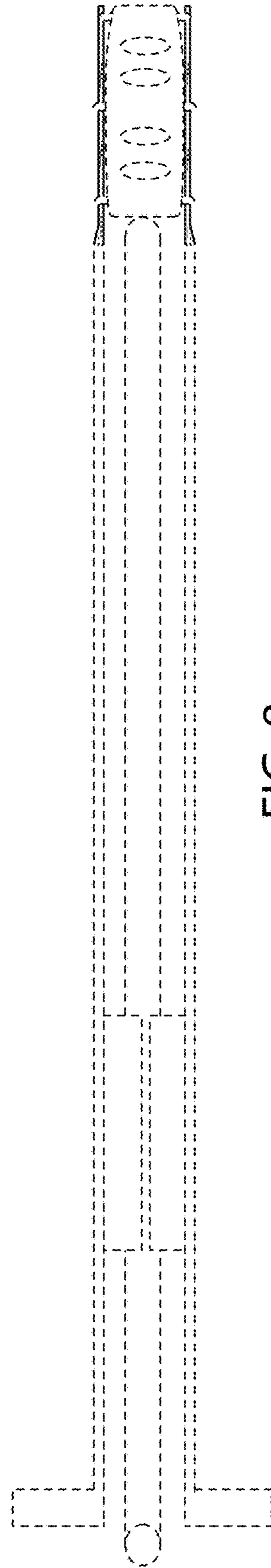


FIG. 8