



US00D853557S

(12) **United States Design Patent** (10) **Patent No.:** **US D853,557 S**
Formica et al. (45) **Date of Patent:** **** Jul. 9, 2019**

(54) **CADDY FOR POSITIVE AIRWAY PRESSURE BREATHING DEVICE**

(71) Applicant: **ResMed Pty Ltd**, Bella Vista, New South Wales (AU)

(72) Inventors: **Justin John Formica**, Sydney (AU); **Max William Andrew Kabilafkas**, Sydney (AU)

(73) Assignee: **ResMed Pty Ltd**, Bella Vista (AU)

(**) Term: **15 Years**

(21) Appl. No.: **29/601,202**

(22) Filed: **Apr. 20, 2017**

(51) **LOC (11) Cl.** **24-01**

(52) **U.S. Cl.**
USPC **D24/128**

(58) **Field of Classification Search**
USPC D24/128, 108, 111, 112, 114, 127, 129, D24/130, 133, 141, 146, 147, 152, 186, D24/214, 215; D8/93, 97, 300, 310, 311; D23/223, 262

CPC A61M 16/0488; A61M 16/06; A61M 16/0683; A61M 16/0633; A61M 16/0816; A61M 16/0833

See application file for complete search history.

(56) **References Cited**

U.S. PATENT DOCUMENTS

4,571,245	A *	2/1986	Hubbard	A61M 25/02
					128/DIG. 26
5,498,242	A *	3/1996	Cooke	A61M 5/3213
					128/919
D547,863	S *	7/2007	Heinsch	D24/128
D618,792	S *	6/2010	Bierman	A61M 25/02
					D24/128
D657,055	S *	4/2012	Damber	D24/128
D721,805	S *	1/2015	Hilliard	D24/128
D737,986	S *	9/2015	Arbesman	D24/189
D738,526	S *	9/2015	Huang	D24/224
D746,479	S *	12/2015	Arefieg	D24/189
D793,549	S *	8/2017	Defusco	D24/128

(Continued)

OTHER PUBLICATIONS

Resmed.com, Airmini Mount System, May 12, 2017, <https://www.resmed.com/us/en/consumer/products/accessories/mount-system.html>.*

Primary Examiner — David G Muller

Assistant Examiner — Nathan M Johnston

(74) *Attorney, Agent, or Firm* — Nixon & Vanderhye P.C.

(57) **CLAIM**

The ornamental design for a caddy for positive airway pressure breathing device, as shown and described.

DESCRIPTION

FIG. 1 is a front perspective view of a caddy for positive airway pressure breathing device showing our new design in a sample environmental setting;

FIG. 2 is an enlarged perspective view thereof, showing the caddy in isolation;

FIG. 3 is a reverse perspective view thereof;

FIG. 4 is a right elevation side view thereof;

FIG. 5 is a left side elevation view thereof;

FIG. 6 is a top plan view thereof;

FIG. 7 is a bottom plan view thereof;

FIG. 8 is a rear elevation view thereof;

FIG. 9 is a front elevation view thereof; and,

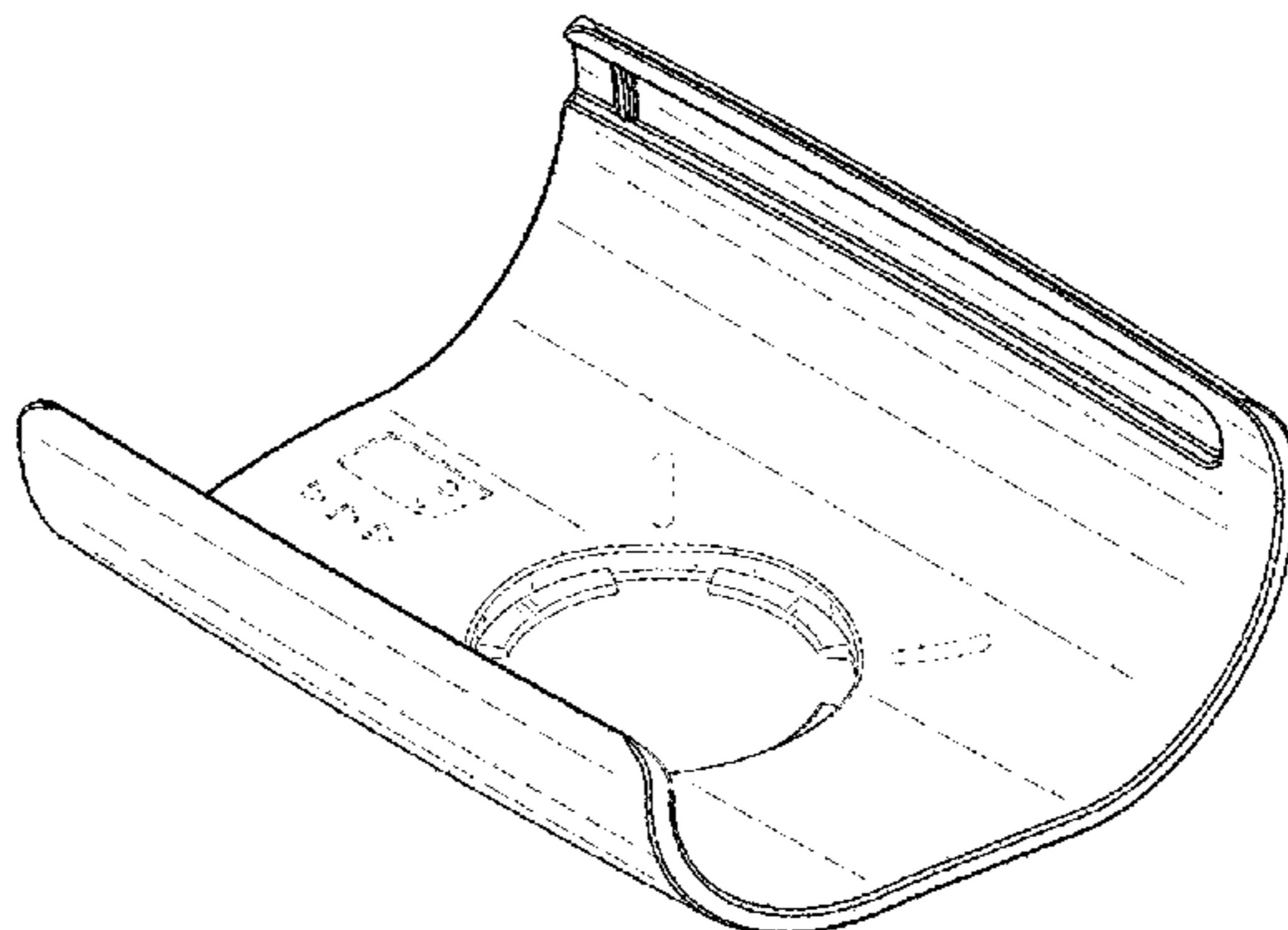
FIG. 10 is a bottom perspective view thereof.

One or more views (e.g., bottom view) may not be shown as those views are unornamented or simply not claimed in a given embodiment.

The broken lines show portions of the design that form no part of the claimed design.

The stippled shading (in FIGS. 4, 5 and 7) represents a different material compared to the material represented by line shading.

1 Claim, 6 Drawing Sheets



(56)

References Cited

U.S. PATENT DOCUMENTS

D802,757 S * 11/2017 Snyder A61K 9/0024
D24/128
D804,659 S * 12/2017 Hood D24/128
D817,486 S * 5/2018 Corato D24/128

* cited by examiner

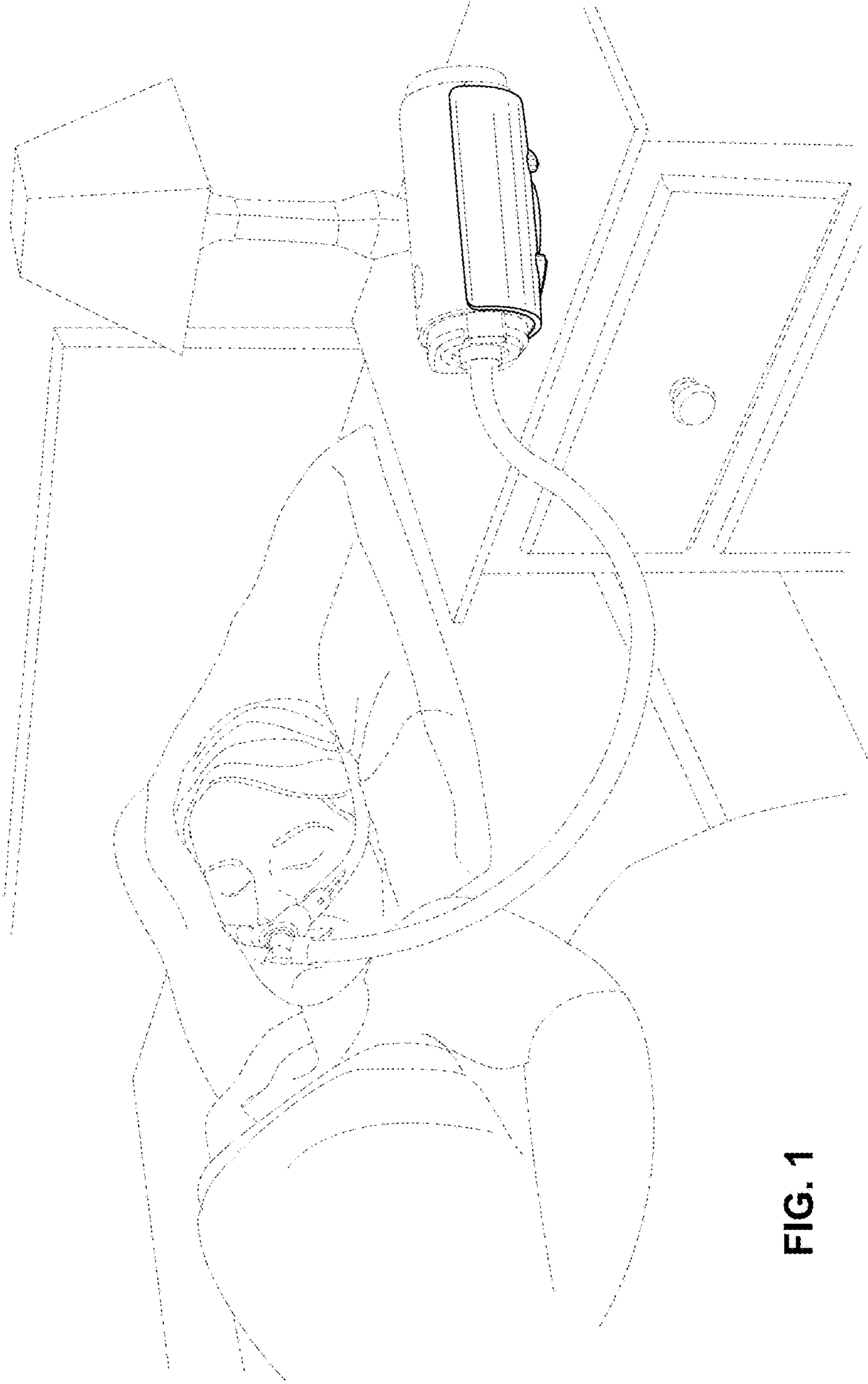


FIG. 1

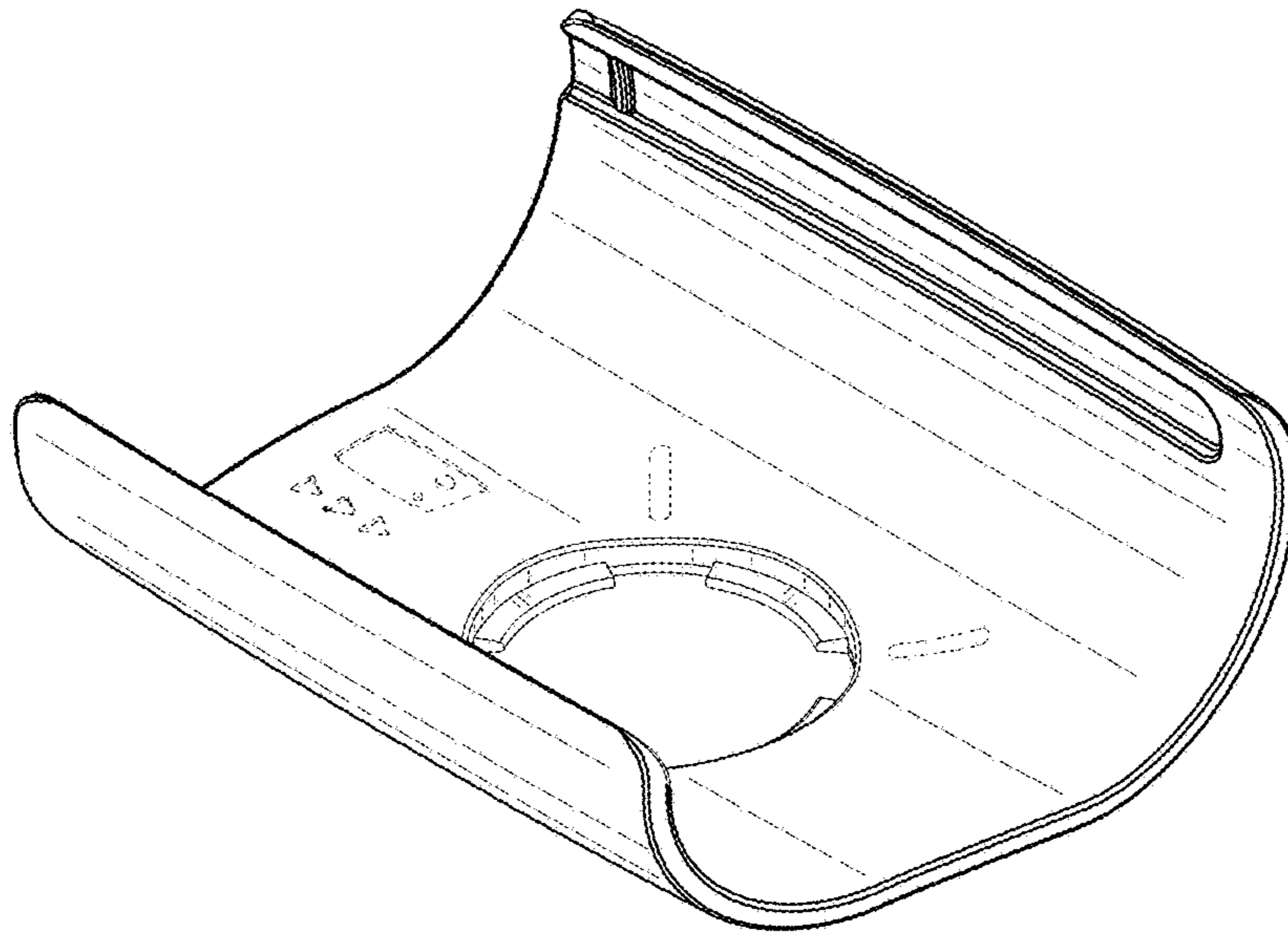


FIG. 2

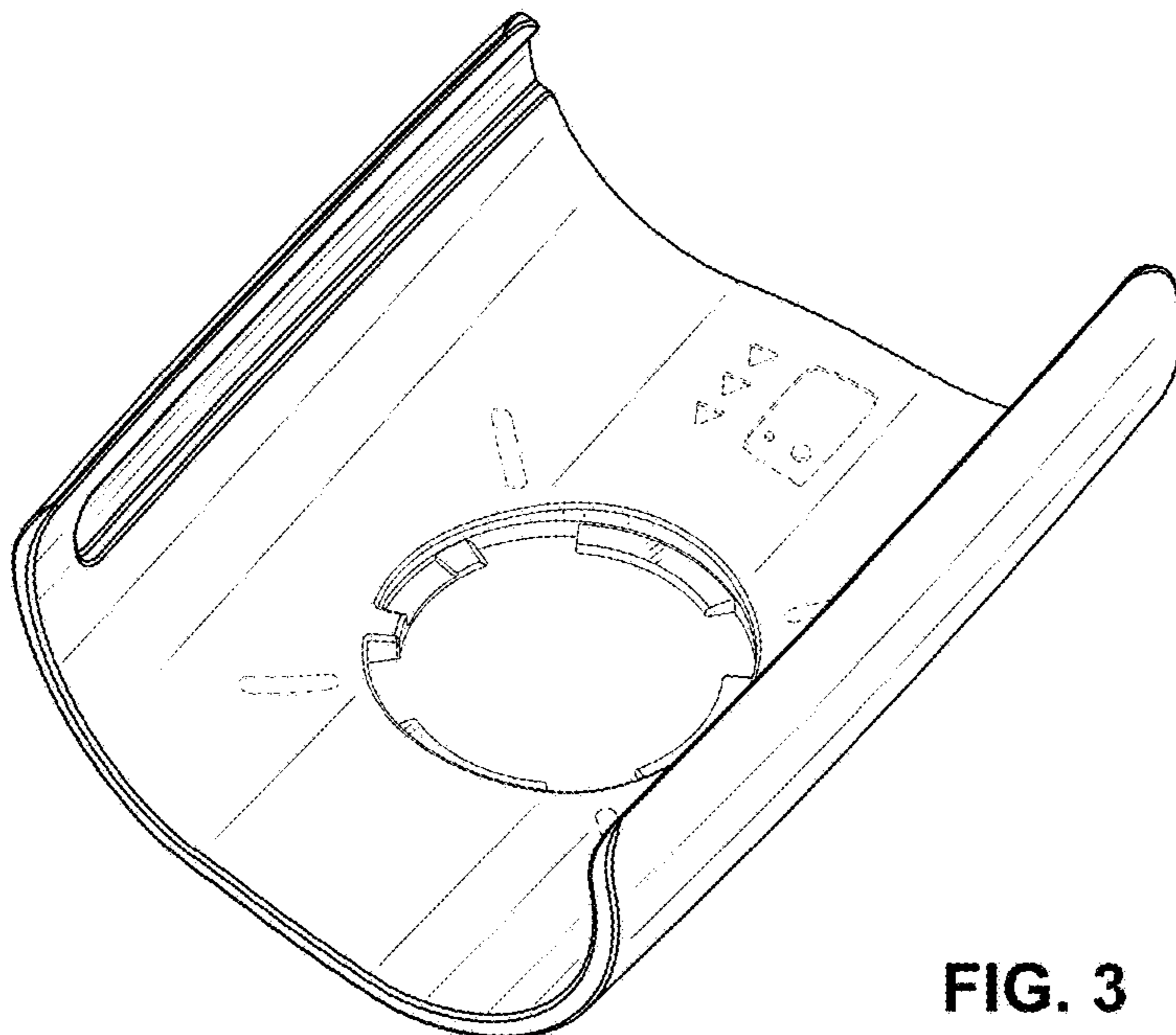


FIG. 3

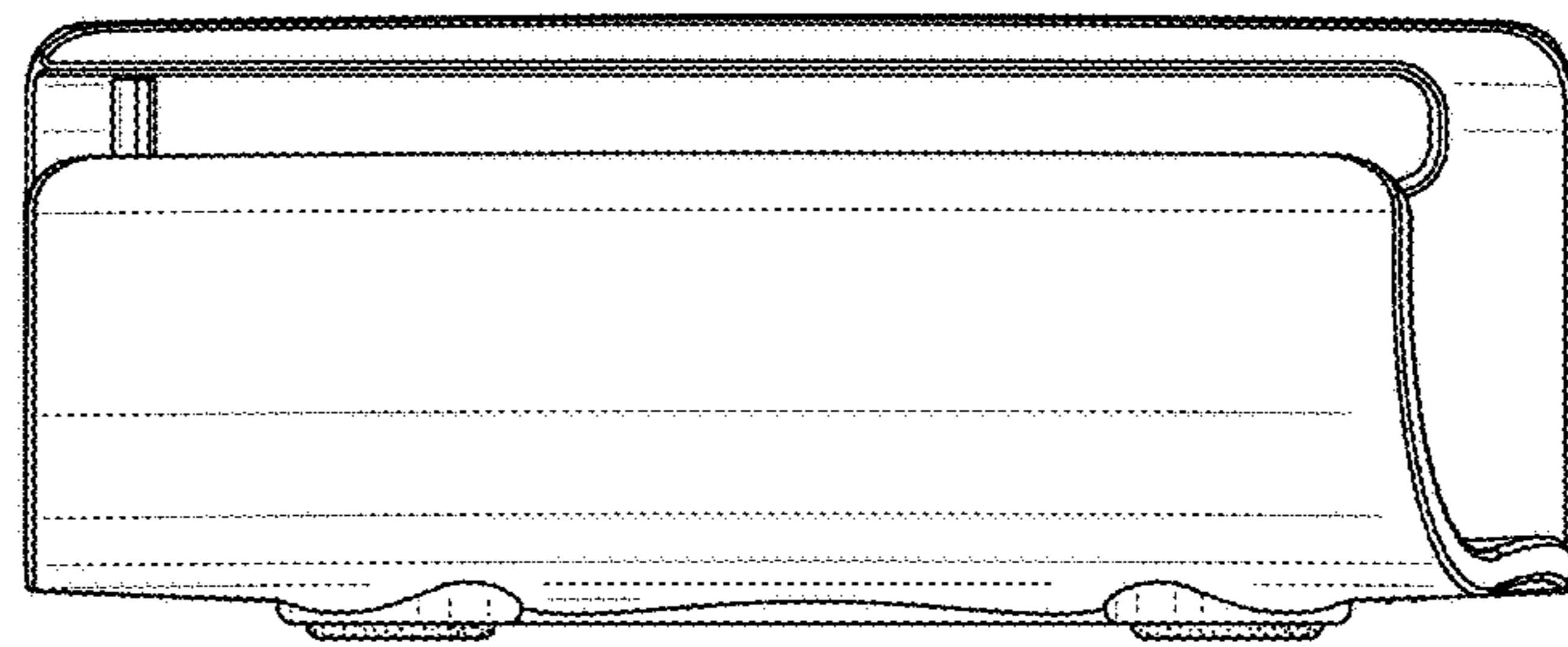


FIG. 4

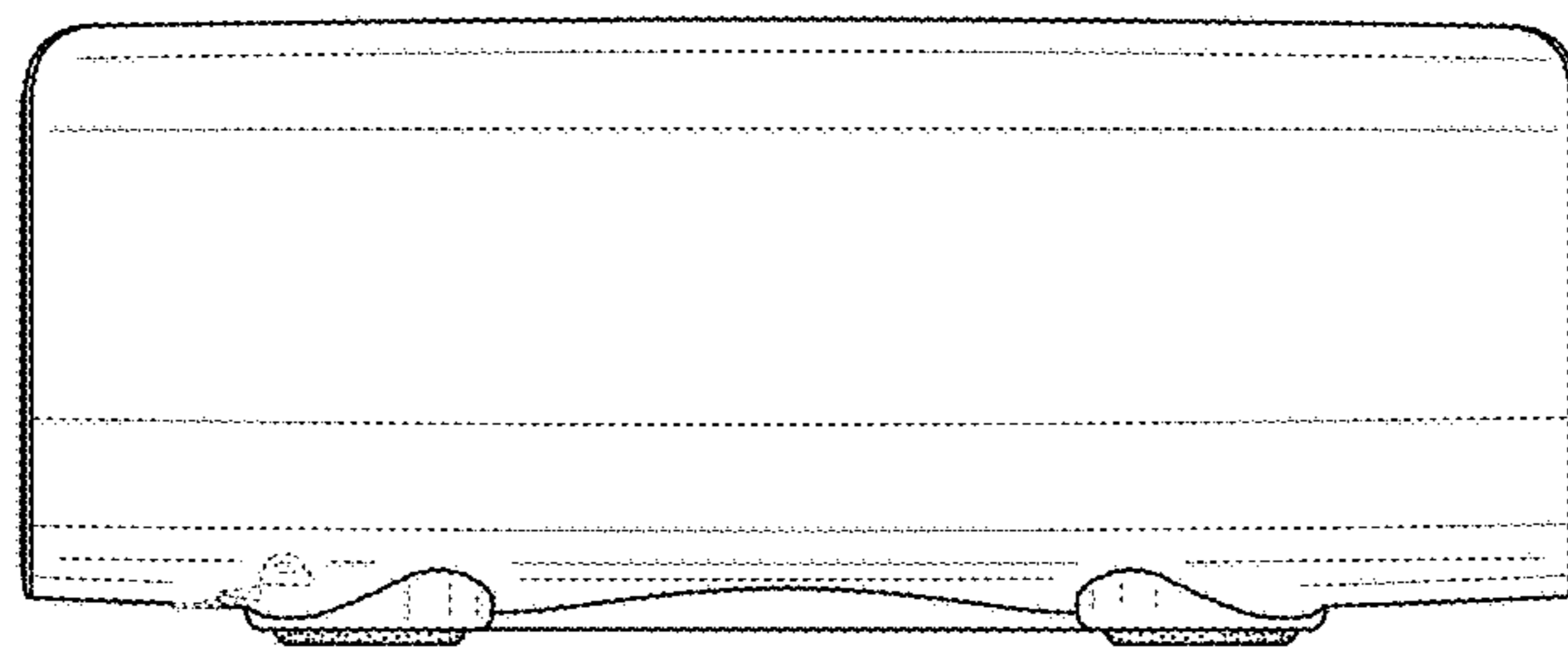


FIG. 5

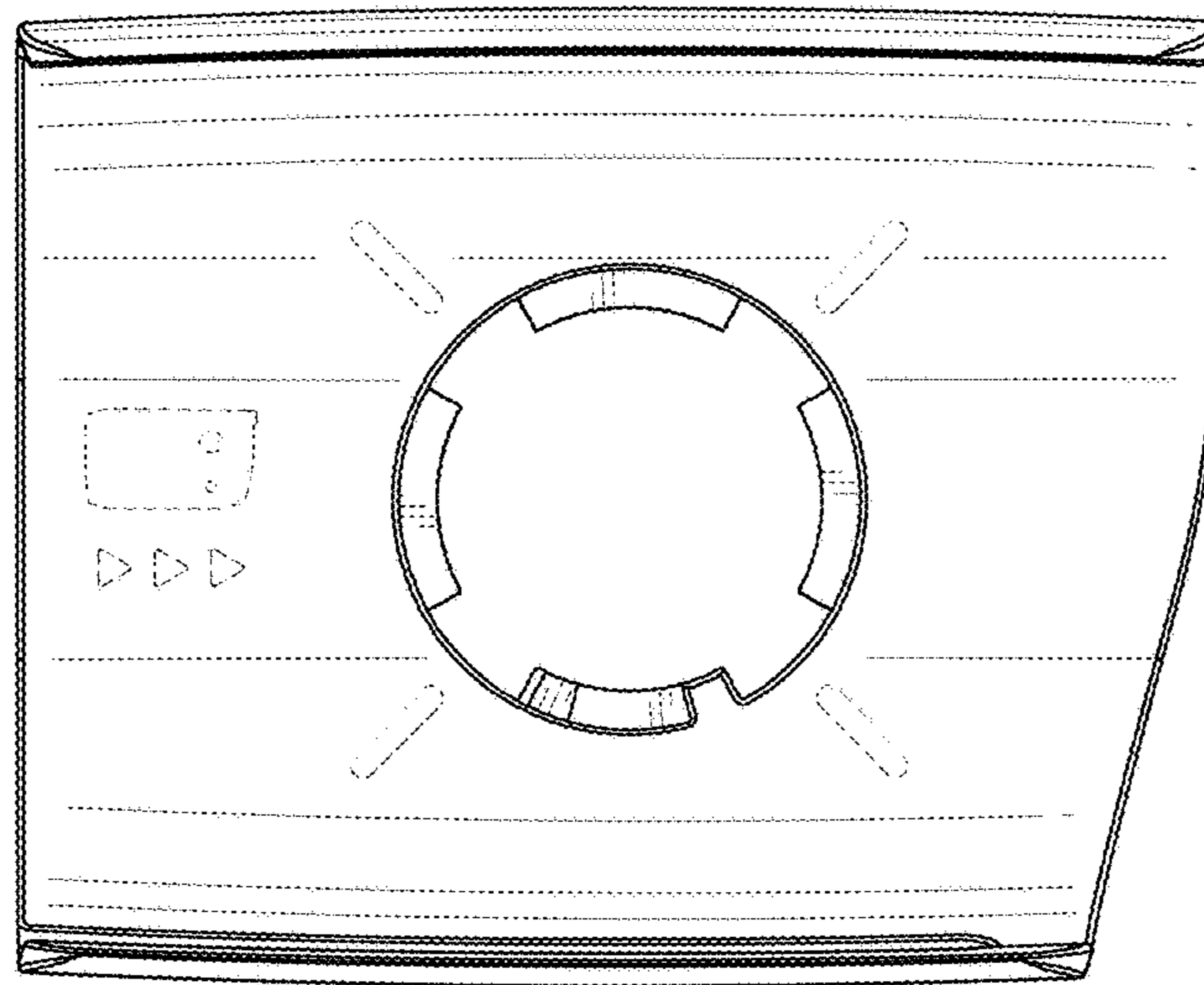


FIG. 6

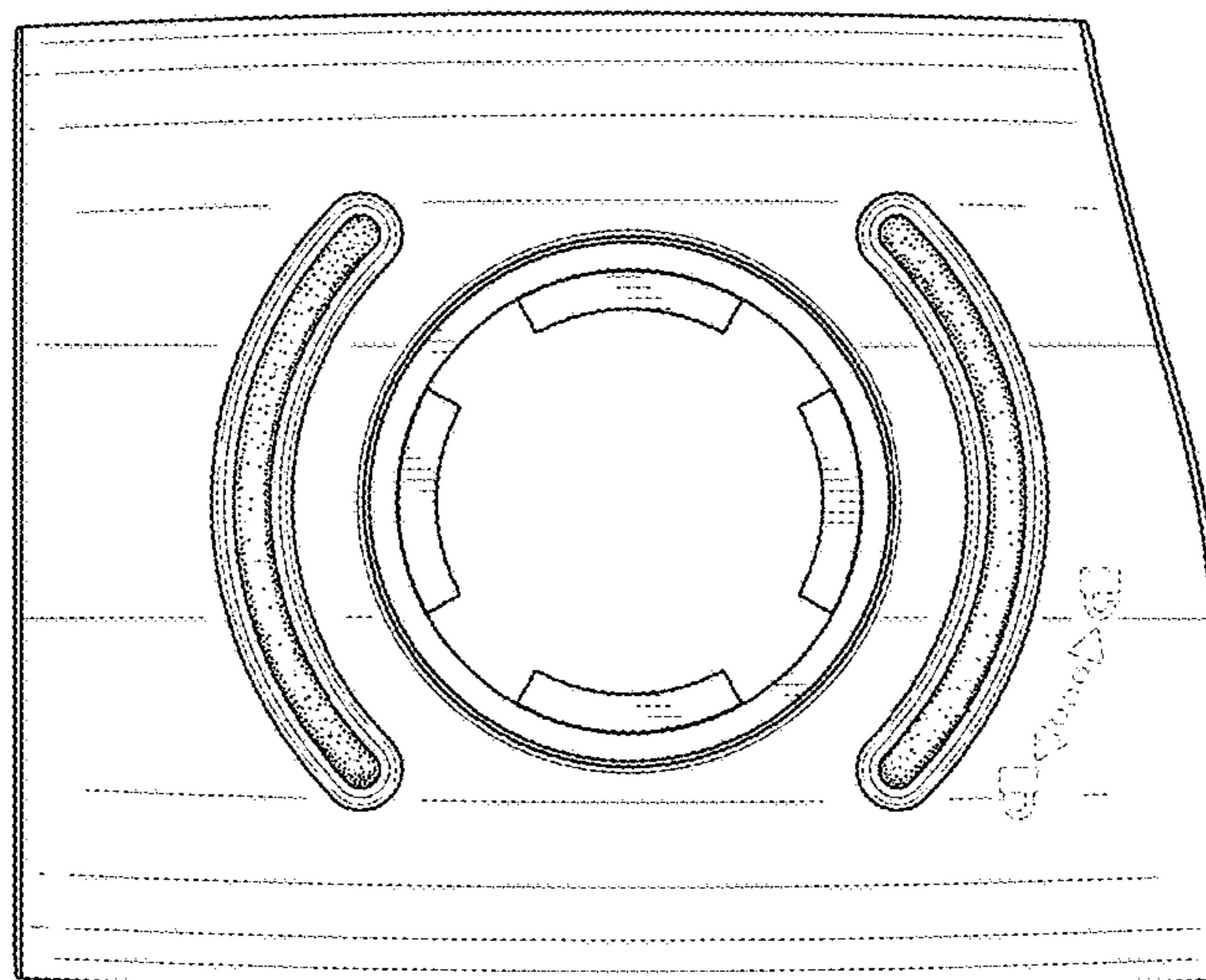


FIG. 7

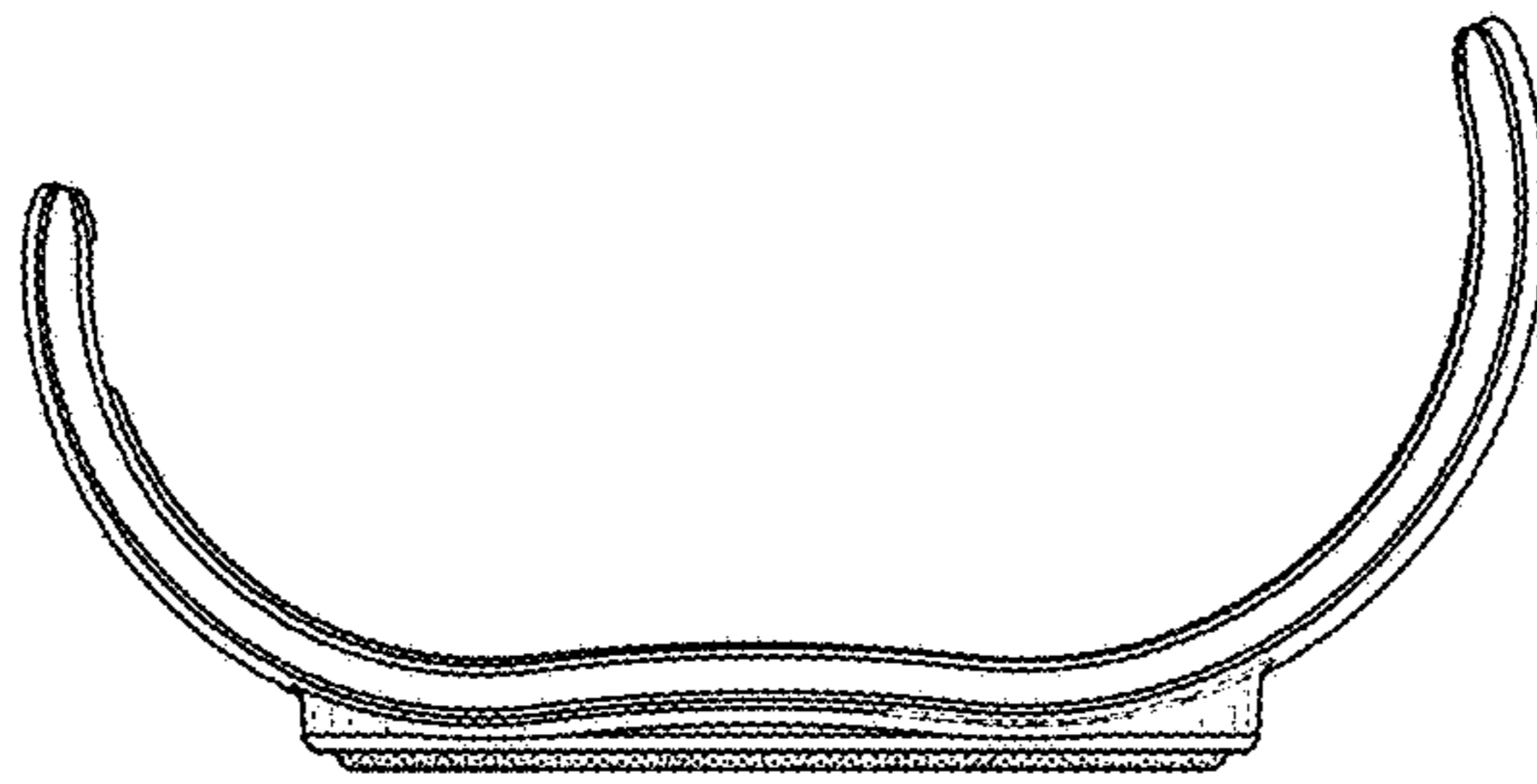


FIG. 8

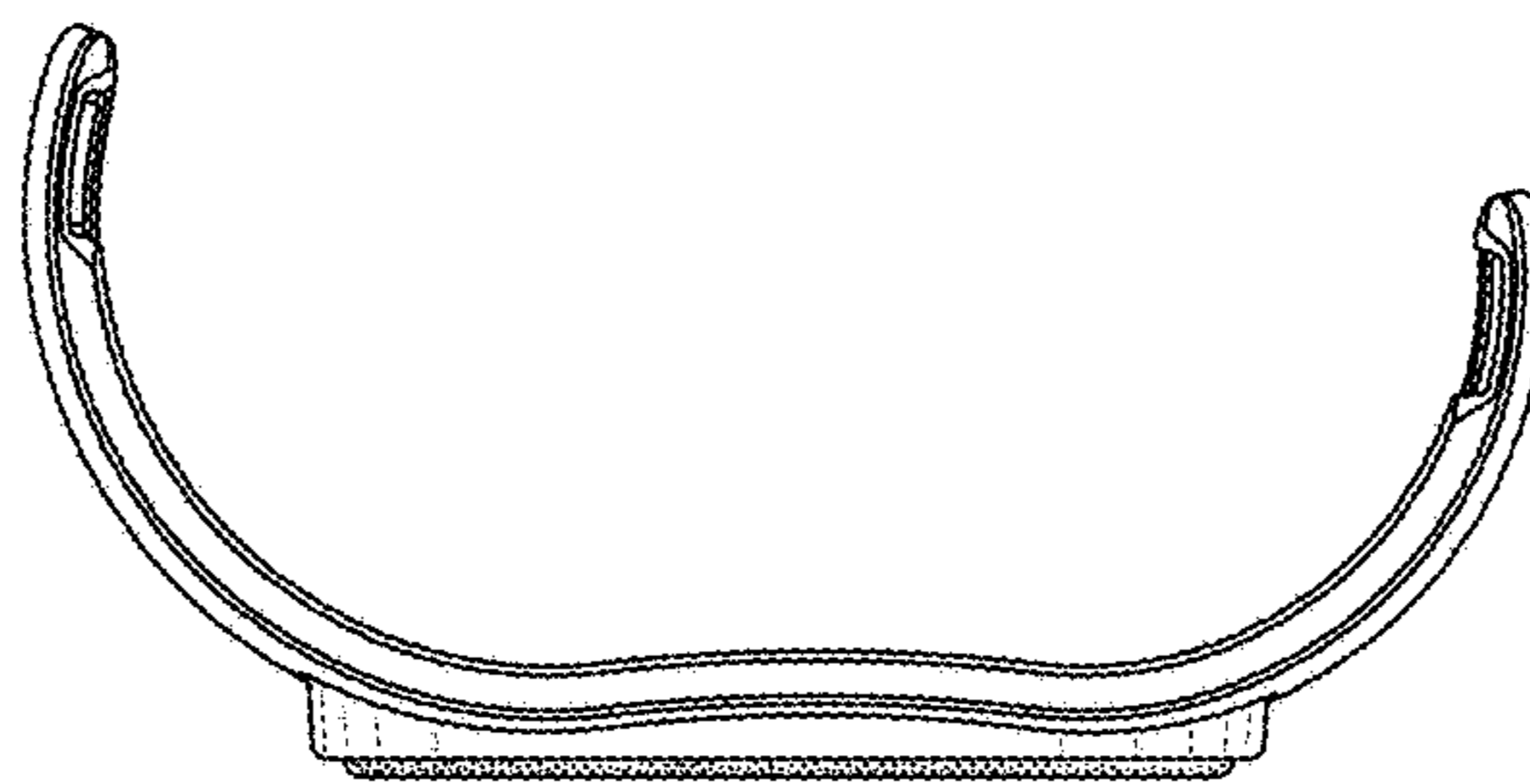


FIG. 9

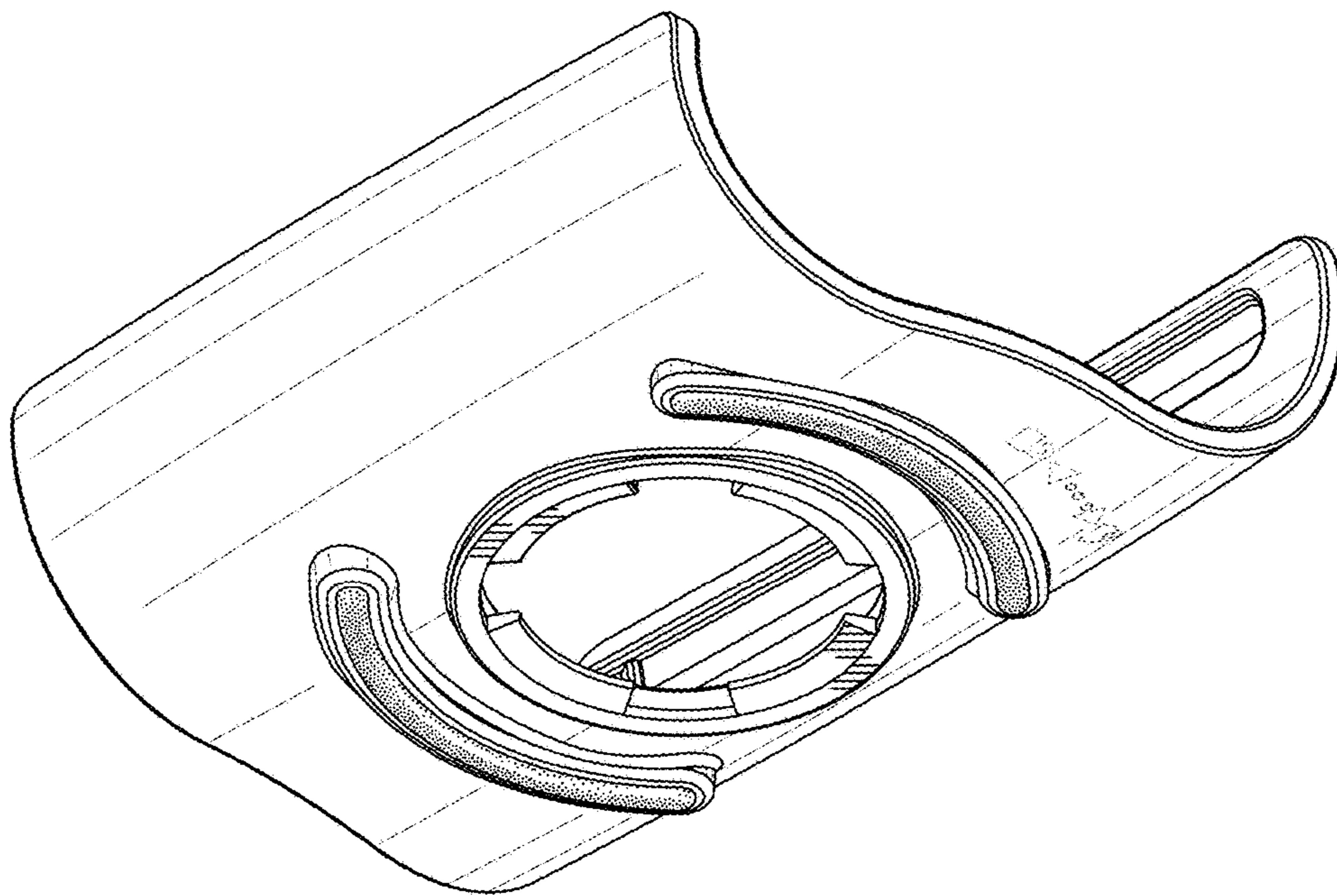


FIG. 10