



US00D853555S

(12) **United States Design Patent**  
**Oliveras et al.**

(10) **Patent No.:** **US D853,555 S**

(45) **Date of Patent:** **\*\* Jul. 9, 2019**

(54) **INHALER**

(71) Applicant: **Norton (Waterford) Limited,**  
Waterford (IE)

(72) Inventors: **Enrique Calderon Oliveras,** Waterford  
(IE); **James Roche,** Wexford (IE)

(73) Assignee: **NORTON (WATERFORD)**  
**LIMITED,** Waterford (IE)

(\*) Notice: This patent is subject to a terminal disclaimer.

(\*\*) Term: **15 Years**

(21) Appl. No.: **29/589,565**

(22) Filed: **Jan. 3, 2017**

(51) **LOC (11) Cl.** ..... **29-02**

(52) **U.S. Cl.**  
USPC ..... **D24/110**

(58) **Field of Classification Search**  
USPC ..... D24/107, 108, 110, 110.5, 127, 164  
CPC ..... A61M 15/0001; A61M 15/00; A61M  
15/0065; A61M 15/0091; A61M 15/0026;  
A61M 11/00; A61M 11/02; A61M 11/04;  
A61M 15/0068; A61M 15/0071  
See application file for complete search history.

(56) **References Cited**

**U.S. PATENT DOCUMENTS**

D348,929 S *	7/1994	Paton	.....	D24/110
D582,543 S *	12/2008	Lucking	.....	D24/110
D598,536 S *	8/2009	Parkes	.....	D24/110
D629,504 S *	12/2010	Zuyderhoudt	.....	D24/110
D629,507 S *	12/2010	Zuyderhoudt	.....	D24/110.5
D629,508 S *	12/2010	Zuyderhoudt	.....	D24/110.5
D629,889 S *	12/2010	Zuyderhoudt	.....	D24/110.5
D660,410 S *	5/2012	Zuyderhoudt	.....	D24/110
D660,411 S *	5/2012	Zuyderhoudt	.....	D24/110
D681,803 S *	5/2013	Sheehy	.....	D24/110
D681,804 S *	5/2013	Sheehy	.....	D24/110

D737,424 S	8/2015	Toksoz
D737,425 S	8/2015	Wieczorek
D737,426 S	8/2015	Nakamura
D739,522 S	9/2015	Von
D742,503 S	11/2015	Mullinger et al.
D744,087 S	11/2015	Bilgic
D744,636 S	12/2015	Sanders
D745,138 S	12/2015	Toksoz
D745,660 S	12/2015	Gruntad et al.
D746,378 S	12/2015	Manowski et al.

(Continued)

**FOREIGN PATENT DOCUMENTS**

WO WO 2016/033419 3/2016

**OTHER PUBLICATIONS**

U.S. Appl. No. 29/487,265, filed Apr. 7, 2014, Fosbury et al.

(Continued)

*Primary Examiner* — Lilyana Bekic

(74) *Attorney, Agent, or Firm* — BakerHostetler

(57)

**CLAIM**

The ornamental design for an inhaler, as shown and described.

**DESCRIPTION**

FIG. 1 is a top, front, right perspective view of an inhaler showing our new design;

FIG. 2 is a front elevation view thereof;

FIG. 3 is a rear elevation view thereof;

FIG. 4 is a left side elevation view thereof;

FIG. 5 is a right side elevation view thereof.

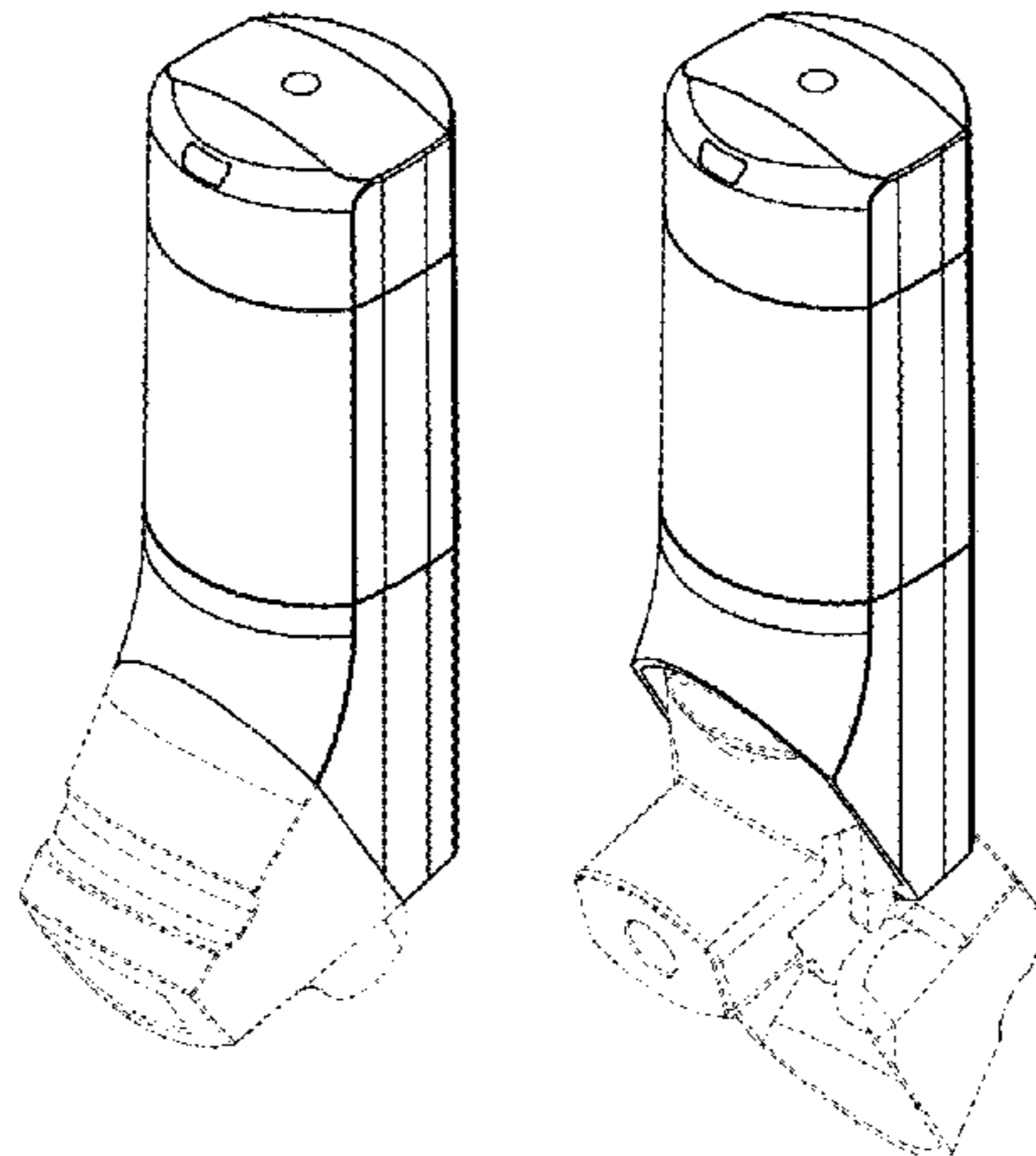
FIG. 6 is a top plan view thereof;

FIG. 7 is a bottom plan view thereof; and,

FIG. 8 is a top, front, right perspective view thereof, shown with the cap in an open position.

The broken lines in the drawings depict portions of the inhaler that form no part of the claimed design.

**1 Claim, 3 Drawing Sheets**



(56)

References Cited

U.S. PATENT DOCUMENTS

D747,793 S 1/2016 Wright  
 D748,242 S 1/2016 Campbell et al.  
 D769,436 S \* 10/2016 Walsh ..... D24/110  
 D769,437 S \* 10/2016 Walsh ..... D24/110  
 D772,394 S \* 11/2016 Walsh ..... D24/110  
 D772,395 S \* 11/2016 Walsh ..... D24/110  
 D782,647 S \* 3/2017 Fosbury ..... D24/110  
 D782,648 S \* 3/2017 Fosbury ..... D24/110  
 D782,649 S \* 3/2017 Cottam ..... D24/110  
 D782,650 S \* 3/2017 Milton-Edwards ..... D24/110  
 D782,651 S \* 3/2017 Milton-Edwards ..... D24/110  
 D782,652 S \* 3/2017 Milton-Edwards ..... D24/110  
 D782,653 S \* 3/2017 Fosbury ..... D24/110  
 D783,147 S \* 4/2017 Fosbury ..... D24/110  
 D783,148 S \* 4/2017 Fosbury ..... D24/110  
 D783,149 S \* 4/2017 Fosbury ..... D24/110  
 D783,150 S \* 4/2017 Cottam ..... D24/110  
 D783,151 S \* 4/2017 Cottam ..... D24/110  
 D783,152 S \* 4/2017 Fosbury ..... D24/110  
 D783,153 S \* 4/2017 Cottam ..... D24/110  
 D783,154 S \* 4/2017 Fosbury ..... D24/110  
 D783,155 S \* 4/2017 Fosbury ..... D24/110  
 D783,156 S \* 4/2017 Milton-Edwards ..... D24/110  
 D783,157 S \* 4/2017 Milton-Edwards ..... D24/110  
 D783,158 S \* 4/2017 Milton-Edwards ..... D24/110  
 D783,159 S \* 4/2017 Fosbury ..... D24/110  
 D783,804 S \* 4/2017 Fosbury ..... D24/110  
 D783,805 S \* 4/2017 Milton-Edwards ..... D24/110  
 D783,806 S \* 4/2017 Milton-Edwards ..... D24/110  
 D783,807 S \* 4/2017 Fosbury ..... D24/110  
 9,731,087 B2 \* 8/2017 Walsh ..... A61M 15/0065  
 9,808,587 B2 \* 11/2017 Walsh ..... A61M 15/0078  
 D832,997 S \* 11/2018 Dethlefs ..... D24/110  
 D832,998 S \* 11/2018 Oliveras ..... D24/110  
 D834,704 S \* 11/2018 Atkin ..... D24/110  
 2002/0073996 A1 \* 6/2002 O'Leary ..... A61M 15/0045  
 128/203.15  
 2008/0314383 A1 12/2008 Barney et al.  
 2011/0108030 A1 5/2011 Blair et al.  
 2011/0283997 A1 \* 11/2011 Walsh ..... A61M 15/0065  
 128/200.23

2012/0174918 A1 \* 7/2012 Kaar ..... A61M 15/009  
 128/200.23  
 2015/0099726 A1 \* 4/2015 Dalvi ..... A61K 31/57  
 514/171  
 2015/0231342 A1 \* 8/2015 Walsh ..... A61M 15/007  
 128/203.12  
 2016/0015914 A1 \* 1/2016 Parkes ..... A61M 15/0065  
 128/203.15  
 2016/0271345 A1 \* 9/2016 Blair ..... A61M 15/0065  
 2016/0303336 A1 \* 10/2016 Arp ..... A61K 9/0075  
 2017/0274163 A1 \* 9/2017 Oliveras ..... A61M 15/0071  
 2018/0140786 A1 \* 5/2018 Calderon Oliveras .....  
 A61M 15/0083  
 2018/0228986 A1 \* 8/2018 Buck ..... A61M 15/009

OTHER PUBLICATIONS

U.S. Appl. No. 29/487,267, filed Apr. 7, 2014, Fosbury et al.  
 U.S. Appl. No. 29/487,272, filed Apr. 7, 2014, Fosbury et al.  
 U.S. Appl. No. 29/487,274, filed Apr. 7, 2014, Cottam.  
 U.S. Appl. No. 29/487,276, filed Apr. 7, 2014, Fosbury et al.  
 U.S. Appl. No. 29/487,277, filed Apr. 7, 2014, Fosbury et al.  
 U.S. Appl. No. 29/487,280, filed Apr. 7, 2014, Cottam.  
 U.S. Appl. No. 29/487,285, filed Apr. 7, 2014, Cottam.  
 U.S. Appl. No. 29/487,287, filed Apr. 7, 2014, Fosbury et al.  
 U.S. Appl. No. 29/487,289, filed Apr. 7, 2014, Cottam.  
 U.S. Appl. No. 29/487,290, filed Apr. 7, 2014, Fosbury et al.  
 U.S. Appl. No. 29/487,291, filed Apr. 7, 2014, Milton-Edwards et al.  
 U.S. Appl. No. 29/487,293, filed Apr. 7, 2014, Milton-Edwards et al.  
 U.S. Appl. No. 29/487,294, filed Apr. 7, 2014, Fosbury et al.  
 U.S. Appl. No. 29/487,295, filed Apr. 7, 2014, Fosbury.  
 U.S. Appl. No. 29/487,296, filed Apr. 7, 2014, Milton-Edwards et al.  
 U.S. Appl. No. 29/487,298, filed Apr. 7, 2014, Milton-Edwards.  
 U.S. Appl. No. 29/487,299, filed Apr. 7, 2014, Milton-Edwards et al.  
 U.S. Appl. No. 29/487,300, filed Apr. 7, 2014, Milton-Edwards et al.  
 U.S. Appl. No. 29/487,301, filed Apr. 7, 2014, Milton-Edwards et al.  
 U.S. Appl. No. 29/487,302, filed Apr. 7, 2014, Fosbury et al.  
 U.S. Appl. No. 29/487,303, filed Apr. 7, 2014, Fosbury et al.  
 U.S. Appl. No. 29/487,304, filed Apr. 7, 2014, Fosbury et al.  
 U.S. Appl. No. 29/487,305, filed Apr. 7, 2014, Fosbury et al.

\* cited by examiner

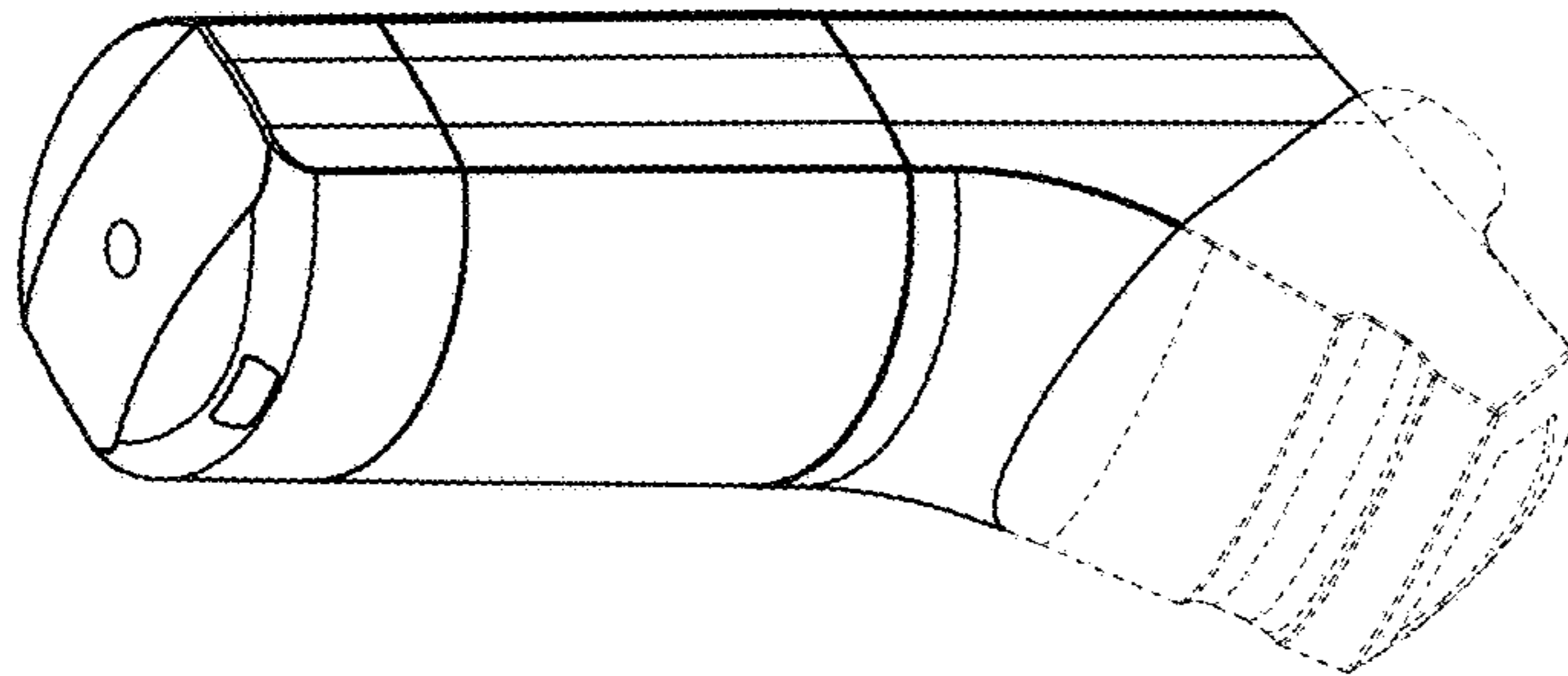


Fig.1

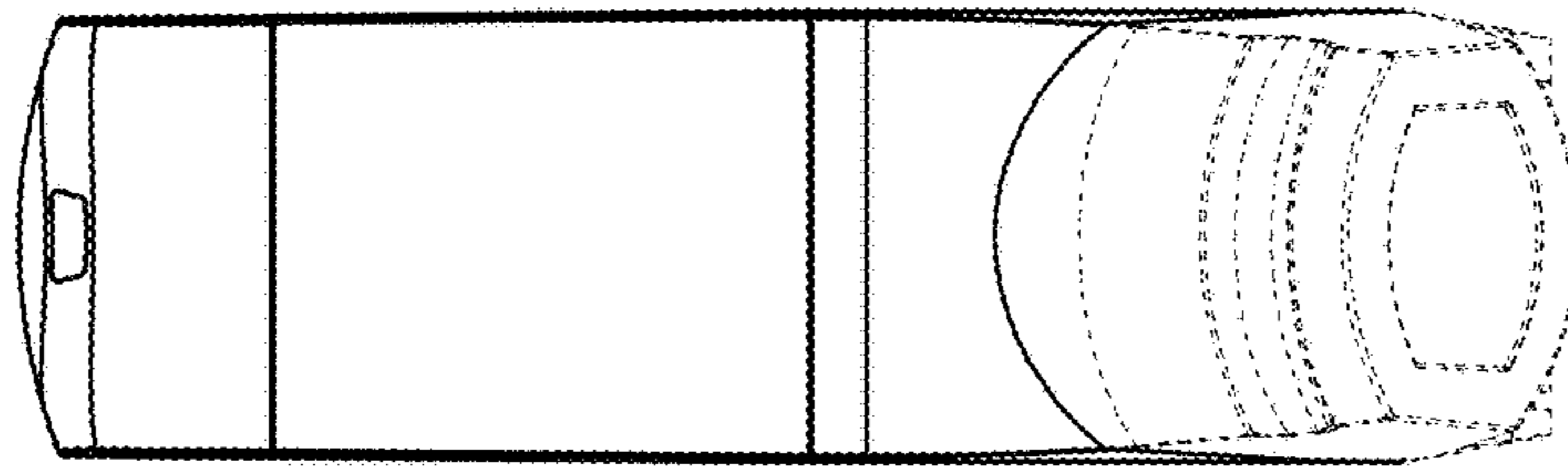


Fig.2

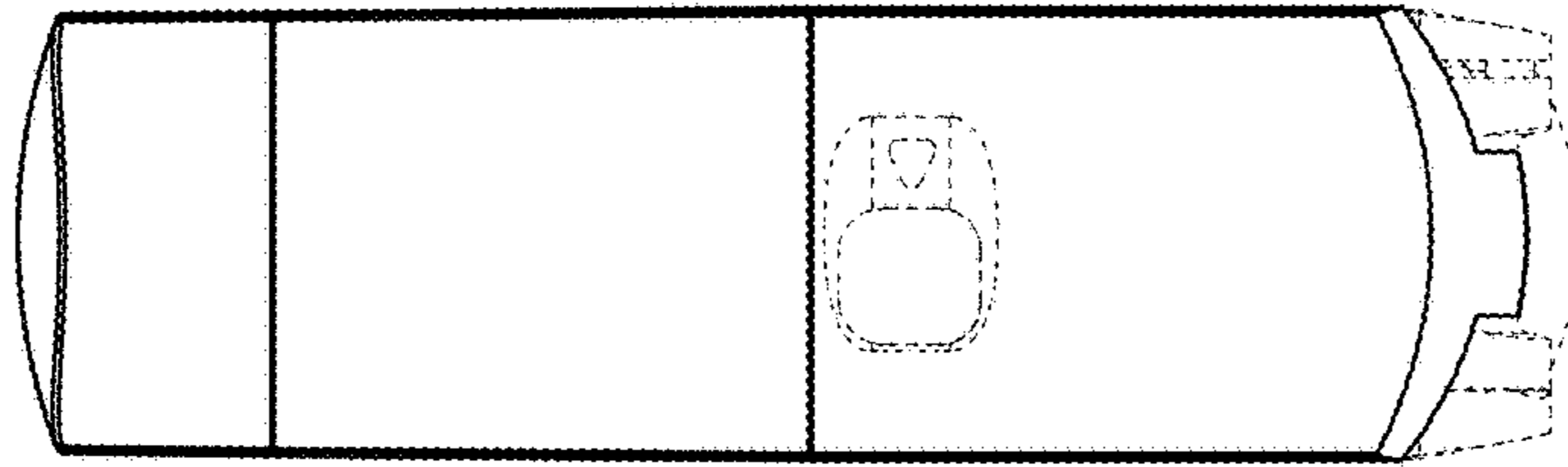


Fig.3

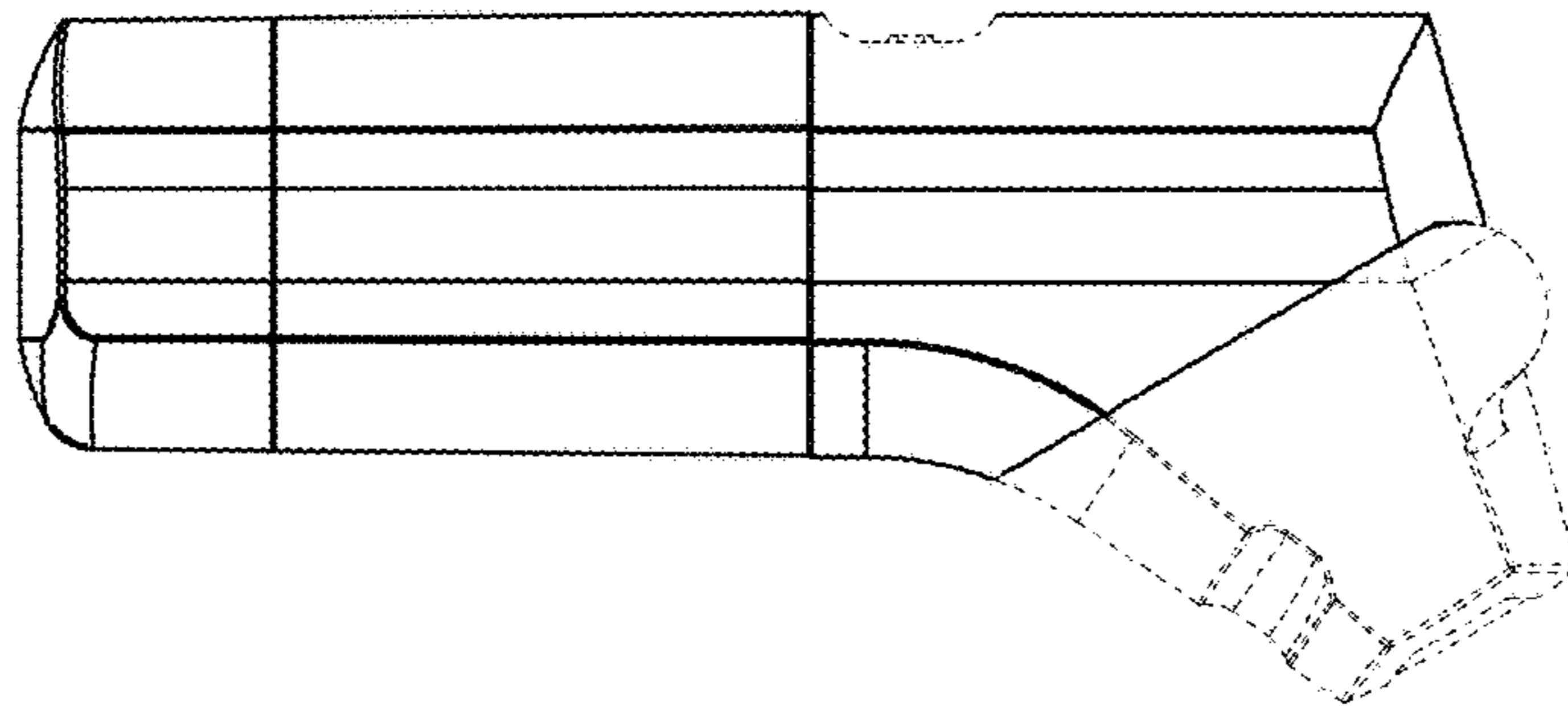


Fig.5

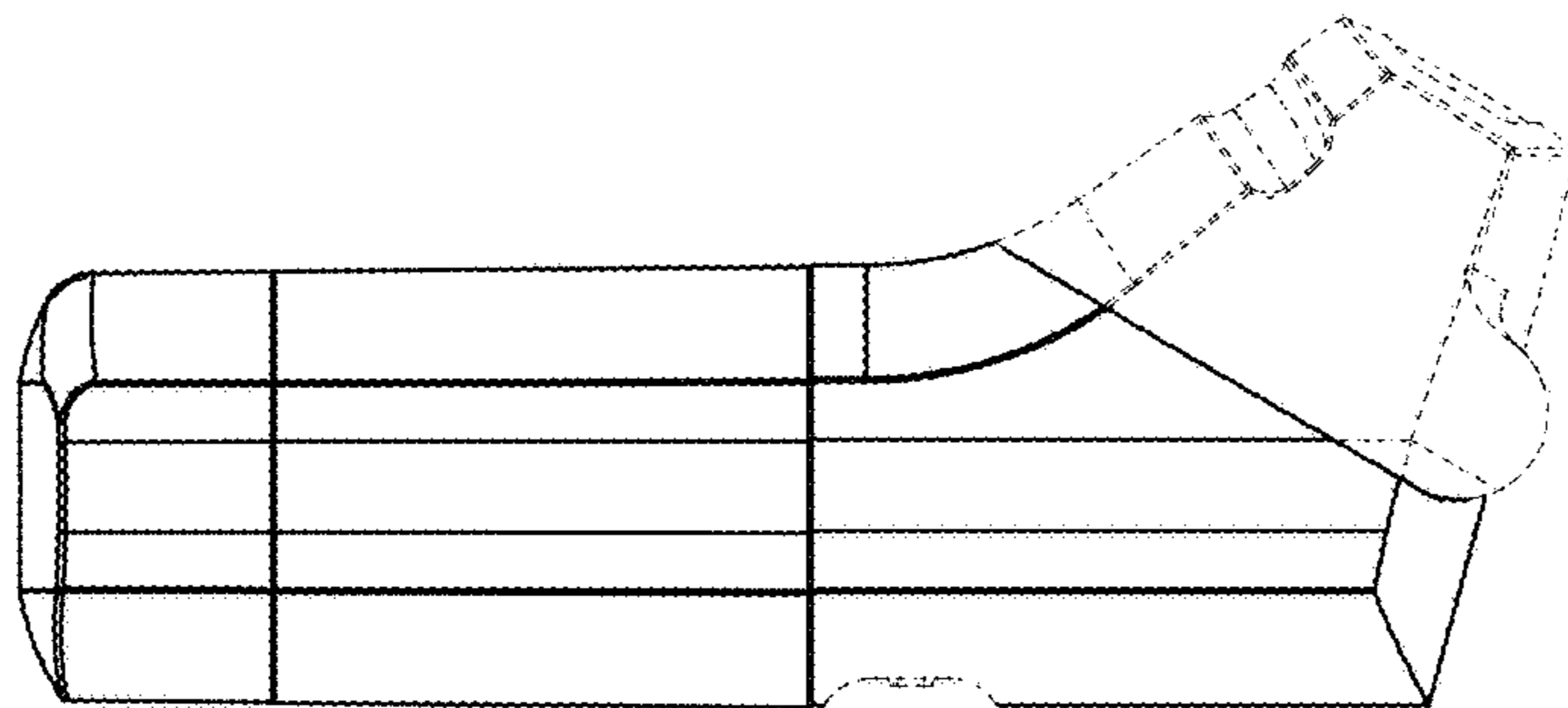


Fig.4

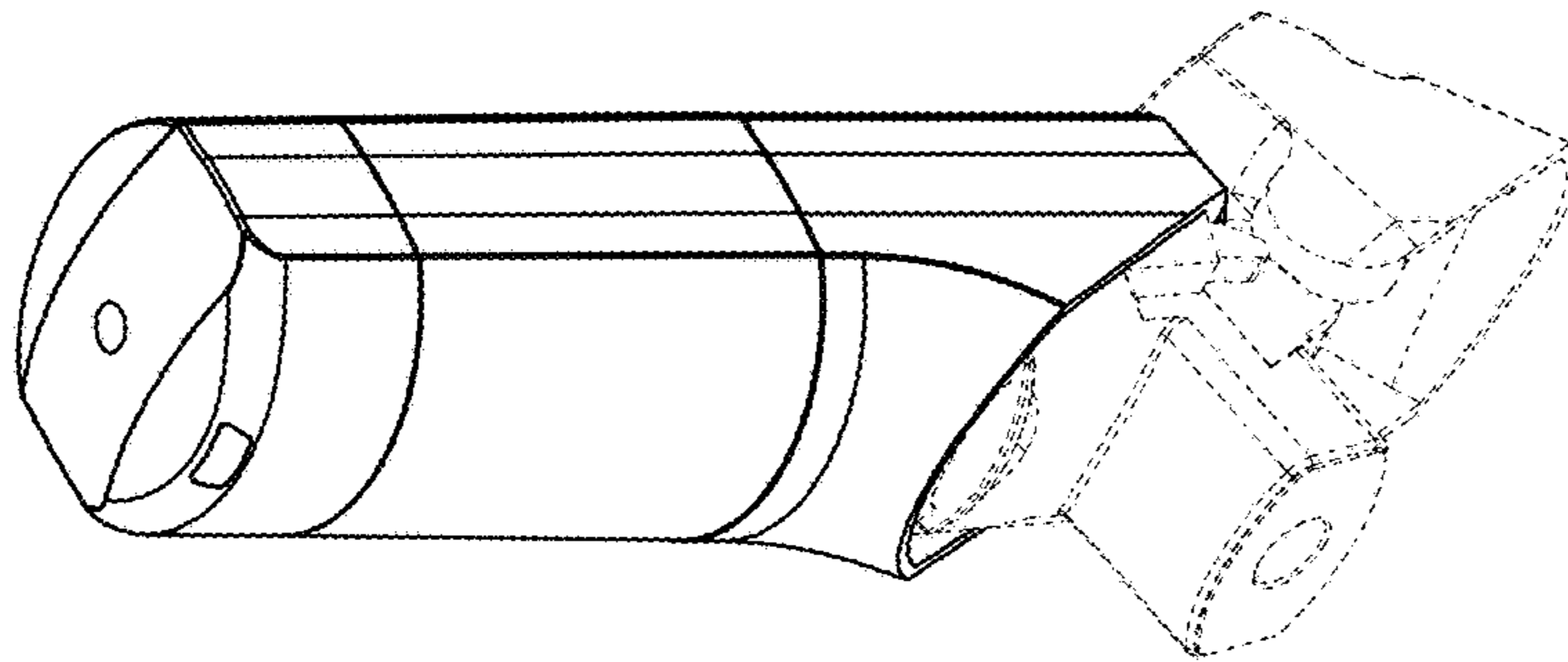


Fig.8

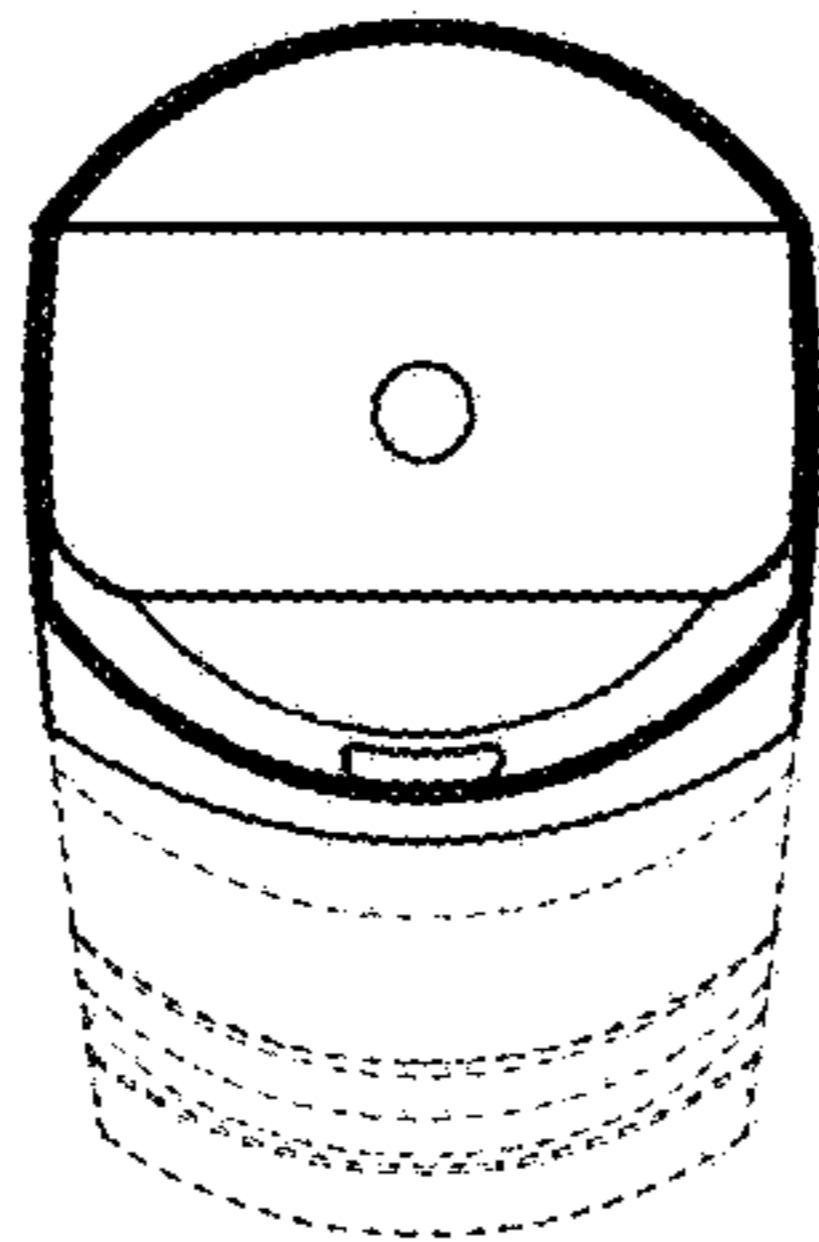


Fig.6

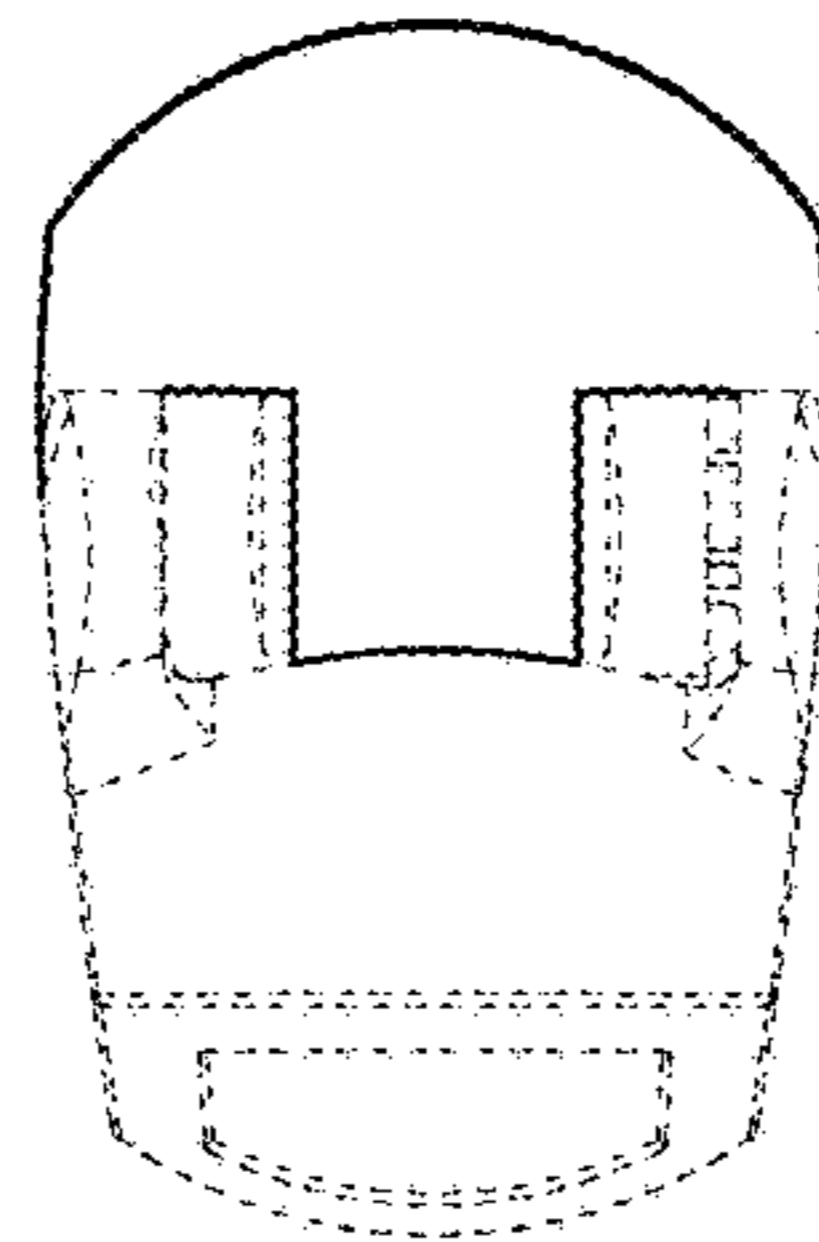


Fig.7