



US00D853553S

(12) **United States Design Patent** (10) **Patent No.:** **US D853,553 S**
Niemiec et al. (45) **Date of Patent:** **** Jul. 9, 2019**

(54) **FAN BLADE**

(71) Applicants: **Darrin Walter Niemiec**, Elgin, IL (US); **James C. Muth**, Oconomowoc, WI (US); **Patrick Todd Woodzick**, Waukesha, WI (US); **William J. Carlson**, Long Grove, IL (US)

(72) Inventors: **Darrin Walter Niemiec**, Elgin, IL (US); **James C. Muth**, Oconomowoc, WI (US); **Patrick Todd Woodzick**, Waukesha, WI (US); **William J. Carlson**, Long Grove, IL (US)

(73) Assignee: **WLC Enterprises, Inc.**, Schaumburg, IL (US)

(**) Term: **15 Years**

(21) Appl. No.: **29/534,730**

(22) Filed: **Jul. 30, 2015**

(51) **LOC (11) Cl.** **23-04**

(52) **U.S. Cl.**
USPC **D23/413**

(58) **Field of Classification Search**
USPC D23/370, 377, 379, 385, 411, 413;
D26/59
CPC F04D 25/08; F04D 29/388; F04D 29/34;
F04D 25/088
See application file for complete search history.

(56) **References Cited**

U.S. PATENT DOCUMENTS

6,244,821 B1 * 6/2001 Boyd F04D 25/088
416/210 R
D478,655 S * 8/2003 Gajewski D23/413
D489,447 S * 5/2004 Young D23/413

D503,472 S * 3/2005 Tai D23/413
D503,473 S * 3/2005 Tai D23/413
D503,474 S * 3/2005 Tai D23/413
D503,475 S * 3/2005 Tai D23/413
D503,795 S * 4/2005 Tai D23/413
D505,724 S * 5/2005 Tai D23/413
D745,658 S * 12/2015 Wang D23/413
D750,221 S * 2/2016 Schulzman D23/413
9,638,209 B1 * 5/2017 Cogley F04D 29/388
D796,659 S * 9/2017 Schulzman D23/377
2013/0129519 A1 * 5/2013 Nielsen F03D 1/0633
416/228
2013/0336790 A1 * 12/2013 Wortman F01D 5/141
416/170 R
2015/0147188 A1 * 5/2015 Danielsson F04D 25/0613
417/14
2017/0030361 A1 * 2/2017 Niemiec F04D 25/088
2017/0030369 A1 * 2/2017 Niemiec F04D 29/384
2017/0114789 A1 * 4/2017 Niemiec F04D 25/088

* cited by examiner

Primary Examiner — Janice Hallmark

(74) *Attorney, Agent, or Firm* — Vitale, Vickrey, Niro & Gasey

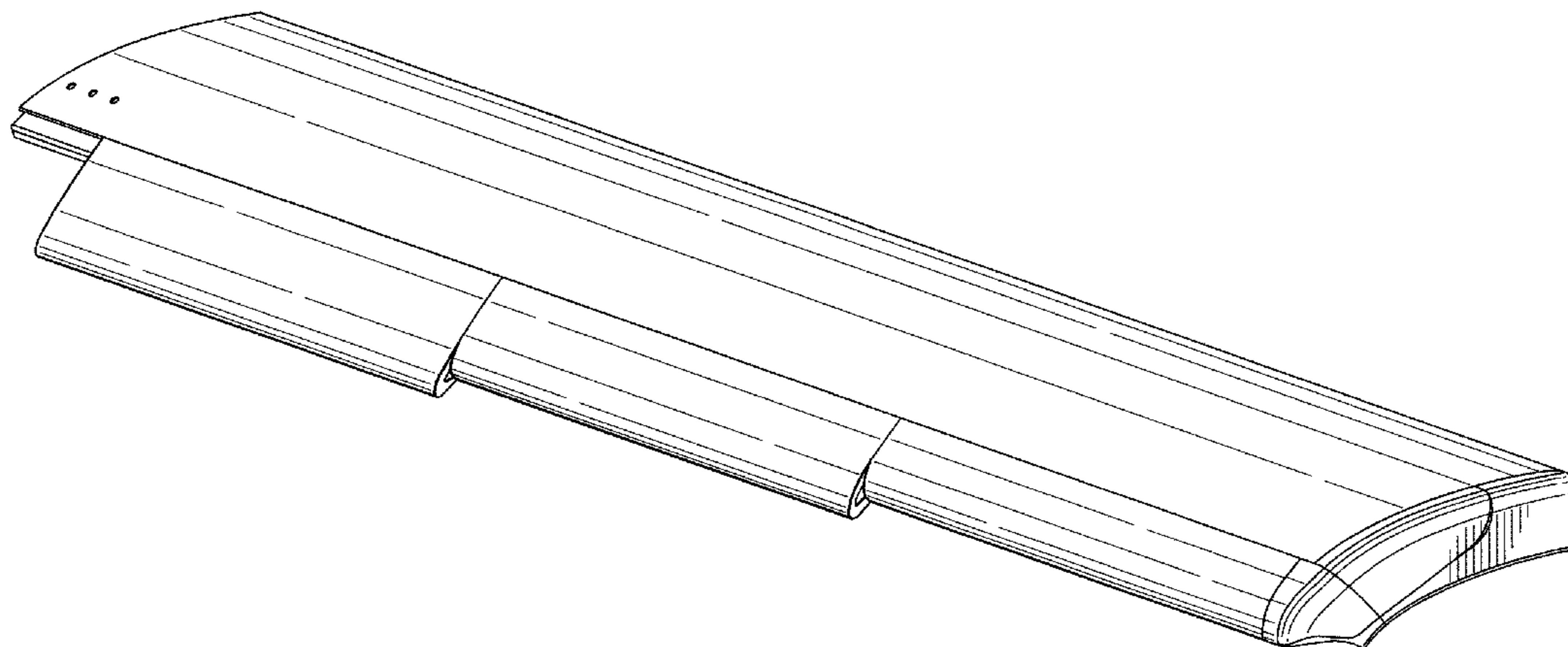
(57) **CLAIM**

The ornamental design for a fan blade, as shown and described.

DESCRIPTION

FIG. 1 is a front perspective view of a fan blade showing our new design;
FIG. 2 is a top view thereof;
FIG. 3 is a side view thereof;
FIG. 4 is another side view thereof; and,
FIG. 5 is another perspective view thereof.
Broken lines in the drawings depict the bounds of the claim and form no part of the claimed design.

1 Claim, 3 Drawing Sheets



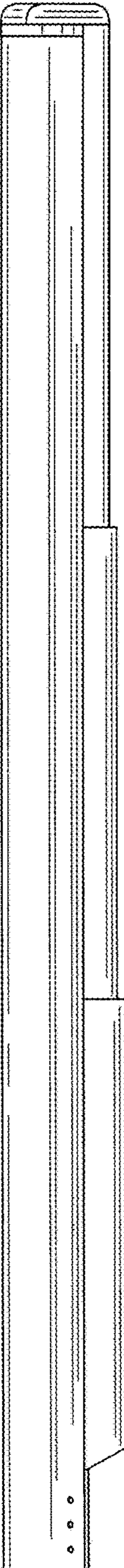
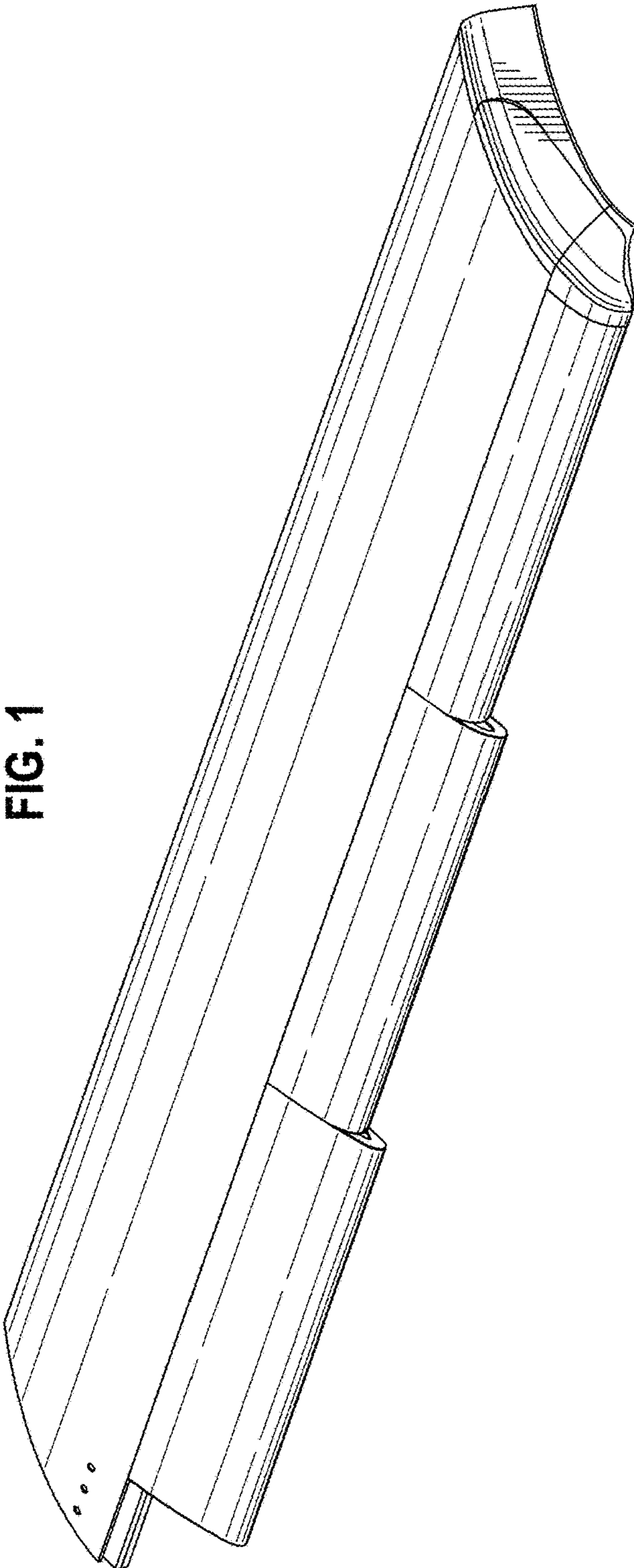


FIG. 3

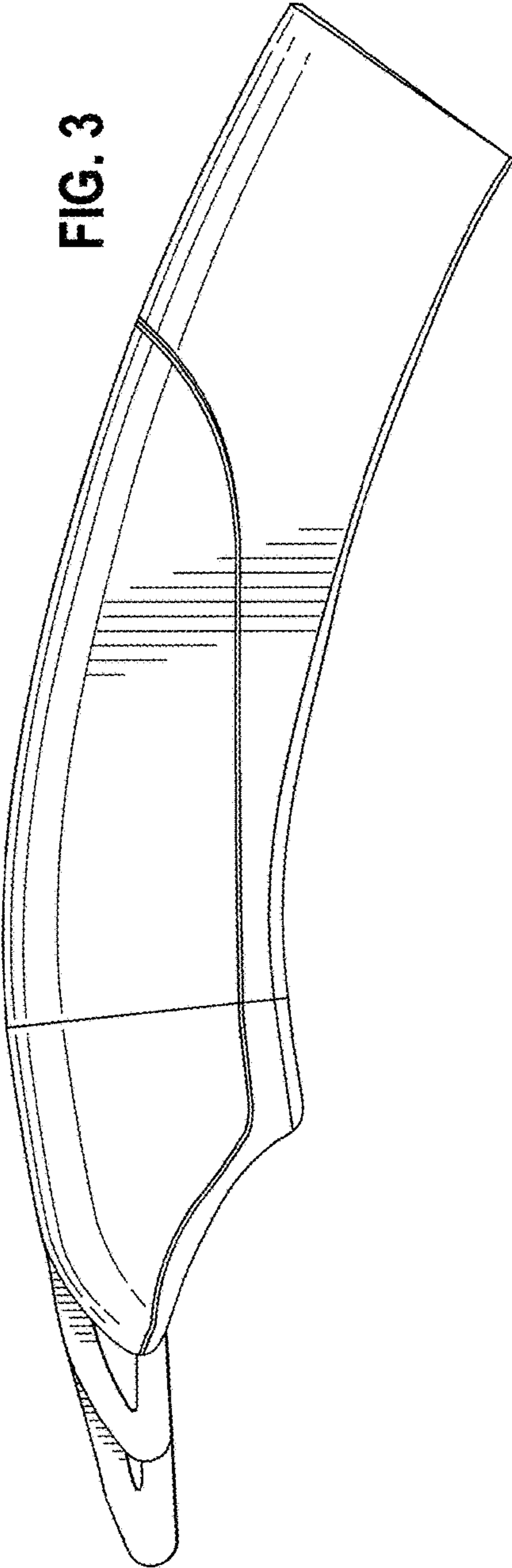
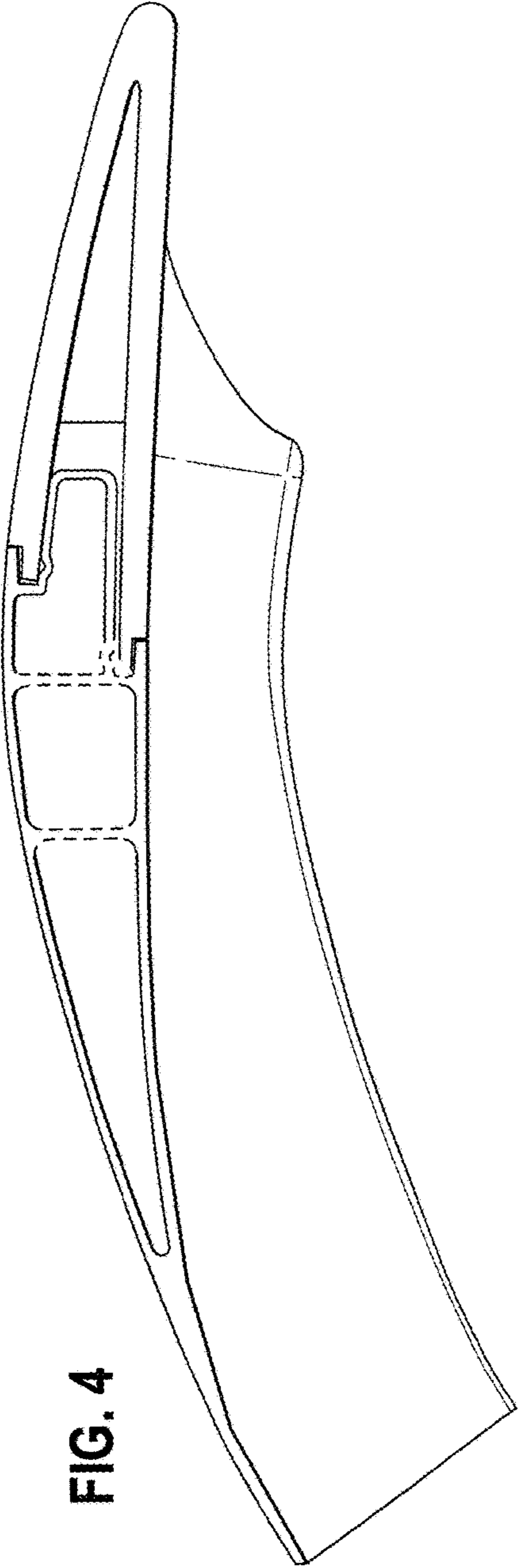


FIG. 4



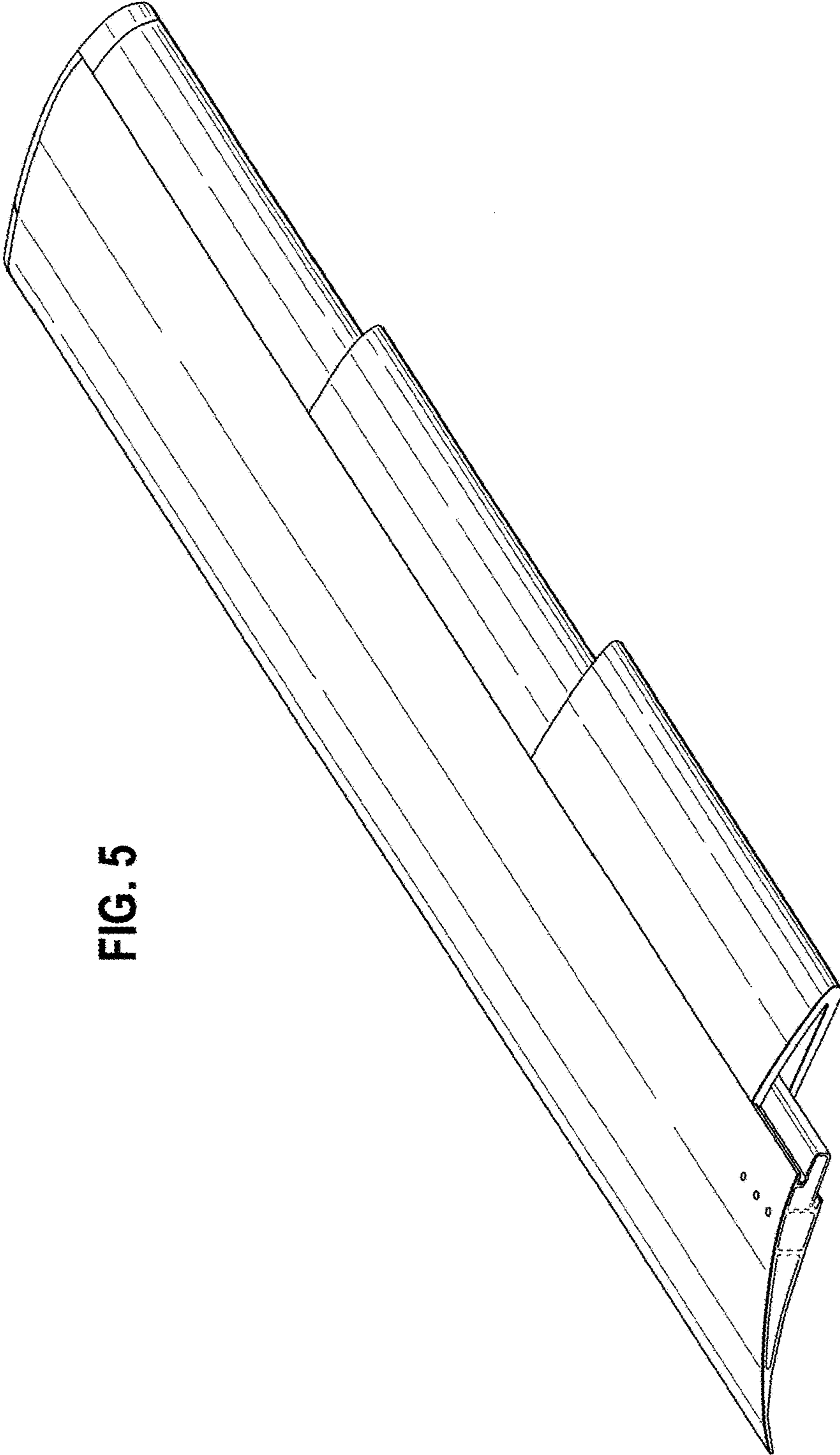


FIG. 5