



US00D853543S

(12) **United States Design Patent**
Giallombardo et al.

(10) **Patent No.:** **US D853,543 S**
(45) **Date of Patent:** **** Jul. 9, 2019**

- (54) **PORTABLE DESICCANT DEHUMIDIFIER**
- (71) Applicant: **THERMA-STOR LLC**, Madison, WI (US)
- (72) Inventors: **Richard G. Giallombardo**, Cottage Grove, WI (US); **Joshua Alexander Trumm**, Lake Mills, WI (US); **Jeremy Daniel Coyne**, Madison, WI (US); **Todd R. DeMonte**, Cottage Grove, WI (US); **Steven S. Dingle**, McFarland, WI (US)
- (73) Assignee: **Therma-Stor LLC**, Madison, WI (US)
- (**) Term: **15 Years**

D352,350 S *	11/1994	Rambo	D23/364
D441,161 S *	4/2001	Shetterly	D34/24
D445,116 S *	7/2001	Evans	D15/79
6,680,028 B1 *	1/2004	Harris	A61L 9/16
				422/122
D508,735 S *	8/2005	Klein	D23/359
D560,685 S *	1/2008	Lopez	D14/168
D581,111 S *	11/2008	DiPasquale	D32/21
7,531,141 B2 *	5/2009	Descotes	B03C 3/011
				422/121
D634,414 S *	3/2011	Wolfe	D23/359
D653,742 S *	2/2012	Satou	D23/351
D678,494 S *	3/2013	Wolfe	D23/359
D684,737 S *	6/2013	Wolfe	D32/21
D714,501 S *	9/2014	Dammkoehler	D32/21
D755,359 S *	5/2016	Rentschler	D23/355
D769,432 S *	10/2016	Dingle	D23/359
D769,433 S *	10/2016	Dingle	D23/359
D799,016 S *	10/2017	Su	D23/364

(Continued)

- (21) Appl. No.: **29/603,488**
- (22) Filed: **May 10, 2017**
- (51) **LOC (11) Cl.** **23-04**
- (52) **U.S. Cl.**
USPC **D23/359**
- (58) **Field of Classification Search**
USPC D23/359, 364, 355, 356, 360, 386, 366,
D23/369, 332, 333, 335, 342, 351, 365;
D14/188, 170, 172; D18/34.6; D34/24;
D32/21; 422/120, 122; 55/356, 473,
55/504; 96/97; 261/DIG. 17, DIG. 65,
261/DIG. 88, DIG. 31; 62/90, 92, 185,
62/272, 285, 292
CPC F24F 3/1423; F24F 11/0012; B01D 53/261
See application file for complete search history.

Primary Examiner — David G Muller
Assistant Examiner — Nathan M Johnston
(74) *Attorney, Agent, or Firm* — Baker Botts L.L.P.

(57) **CLAIM**

The ornamental design for a portable desiccant dehumidifier, as shown and described.

DESCRIPTION

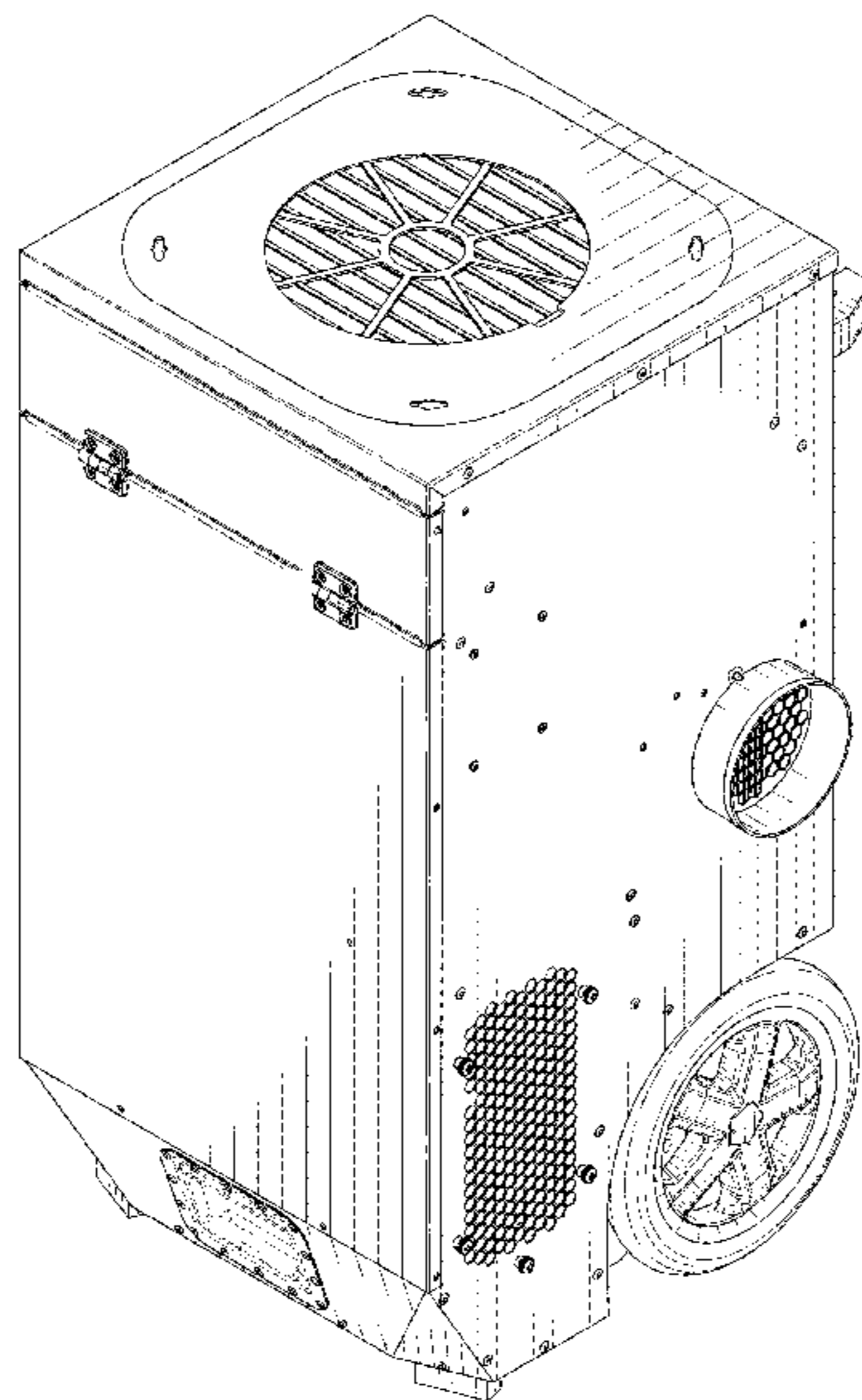
FIG. 1 is a perspective view of a portable desiccant dehumidifier showing our new design;
FIG. 2 is a front elevation view thereof;
FIG. 3 is a rear elevation view thereof;
FIG. 4 is a left side elevation view thereof;
FIG. 5 is a right side elevation view thereof;
FIG. 6 is a top plan view thereof; and,
FIG. 7 is a bottom plan view thereof.
The broken lines shown throughout these figures depict environmental subject matter only and form no part of the claimed design.

(56) **References Cited**

U.S. PATENT DOCUMENTS

D325,252 S *	4/1992	Morris	D23/364
5,168,721 A *	12/1992	Hancock	F25B 45/00
				62/292
D337,592 S *	7/1993	Hider	D15/79

1 Claim, 7 Drawing Sheets



(56)

References Cited

U.S. PATENT DOCUMENTS

D802,861 S * 11/2017 Jin D32/21
D804,000 S * 11/2017 Nomura D23/351
2010/0212334 A1* 8/2010 DeMonte F24F 1/04
62/93
2010/0275630 A1* 11/2010 DeMonte F24F 1/04
62/272
2011/0016904 A1* 1/2011 Yoon F24F 3/1405
62/285
2013/0047662 A1* 2/2013 Black F24F 1/025
62/498

* cited by examiner

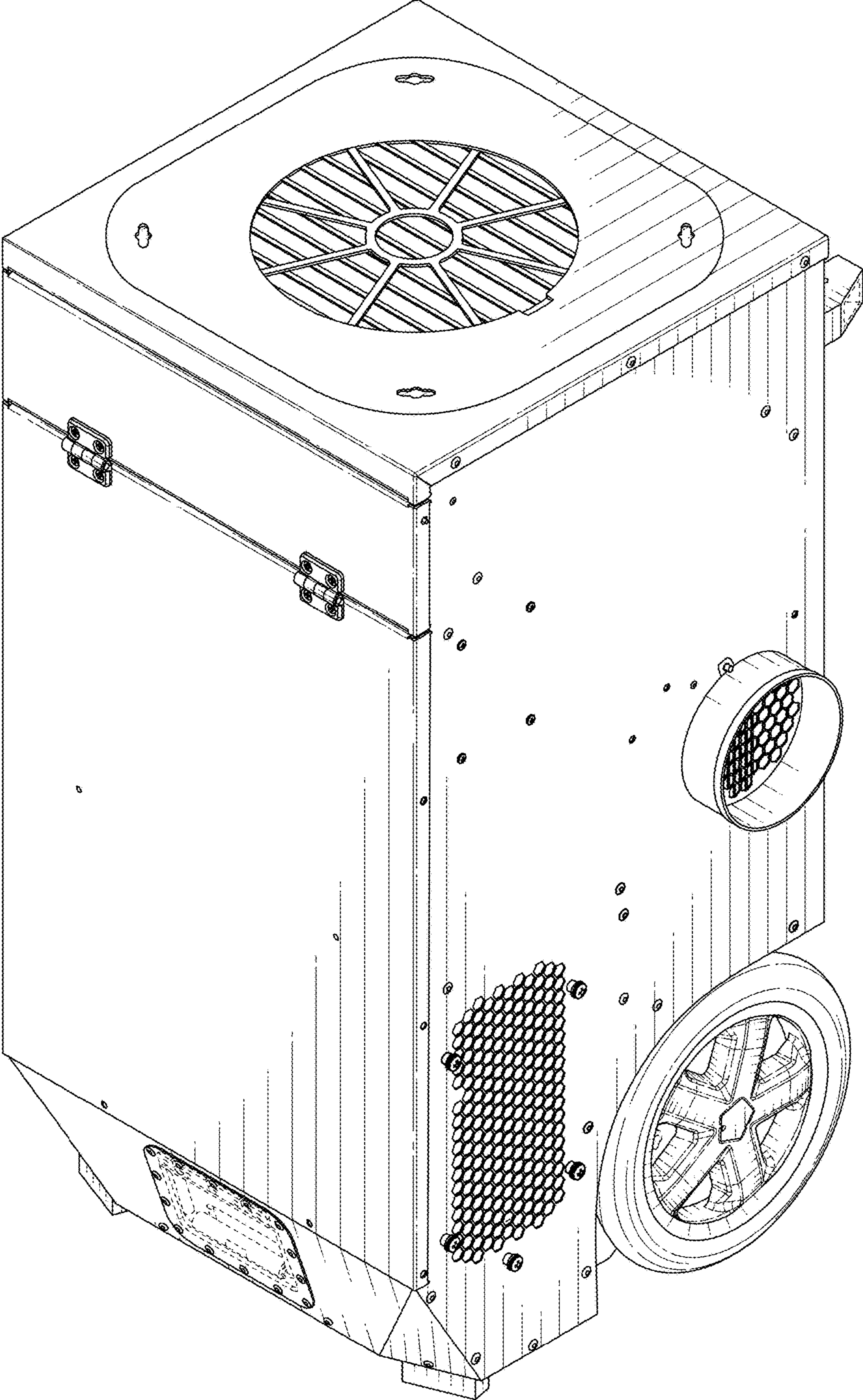


FIG. 1

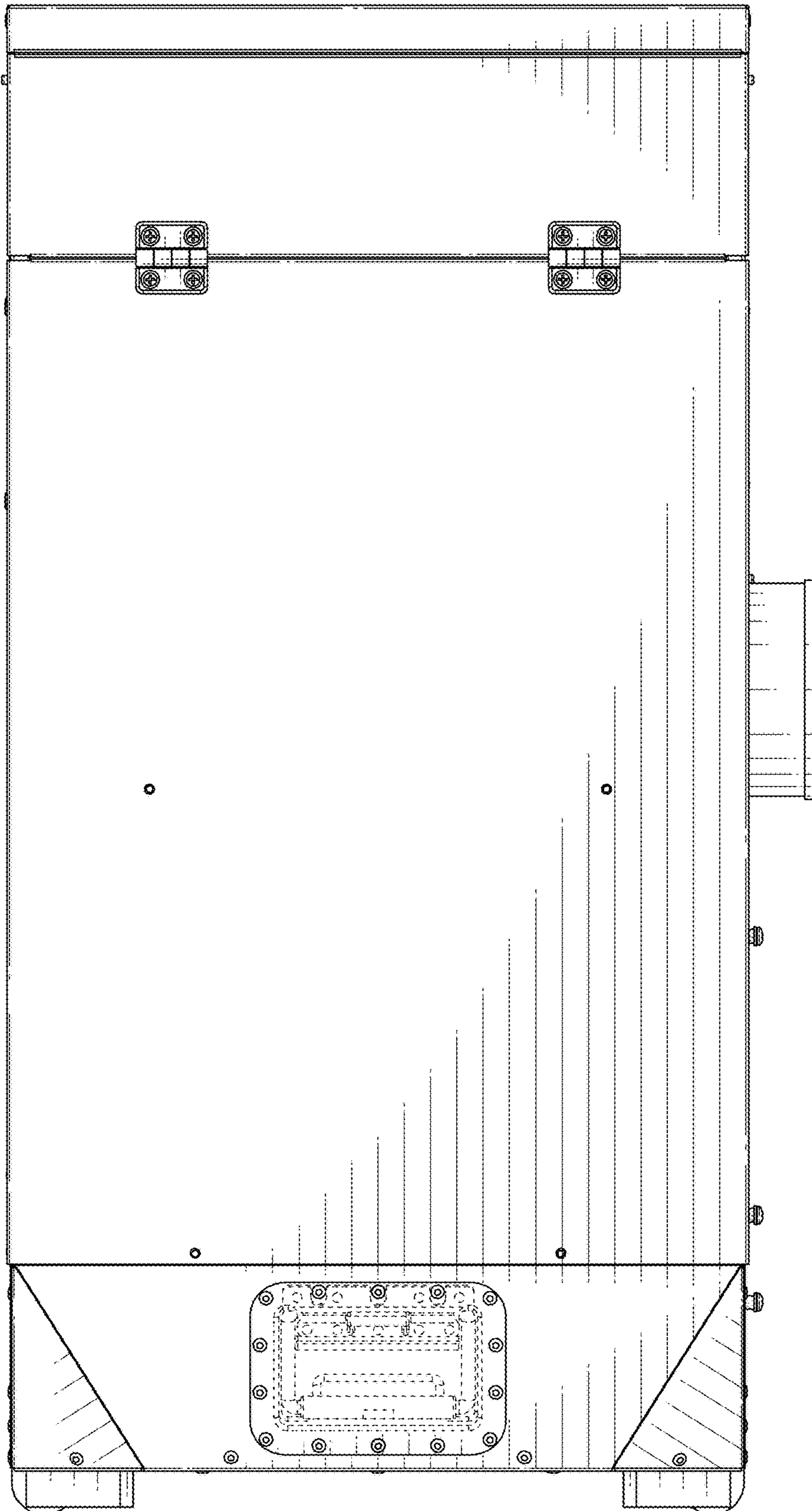


FIG. 2

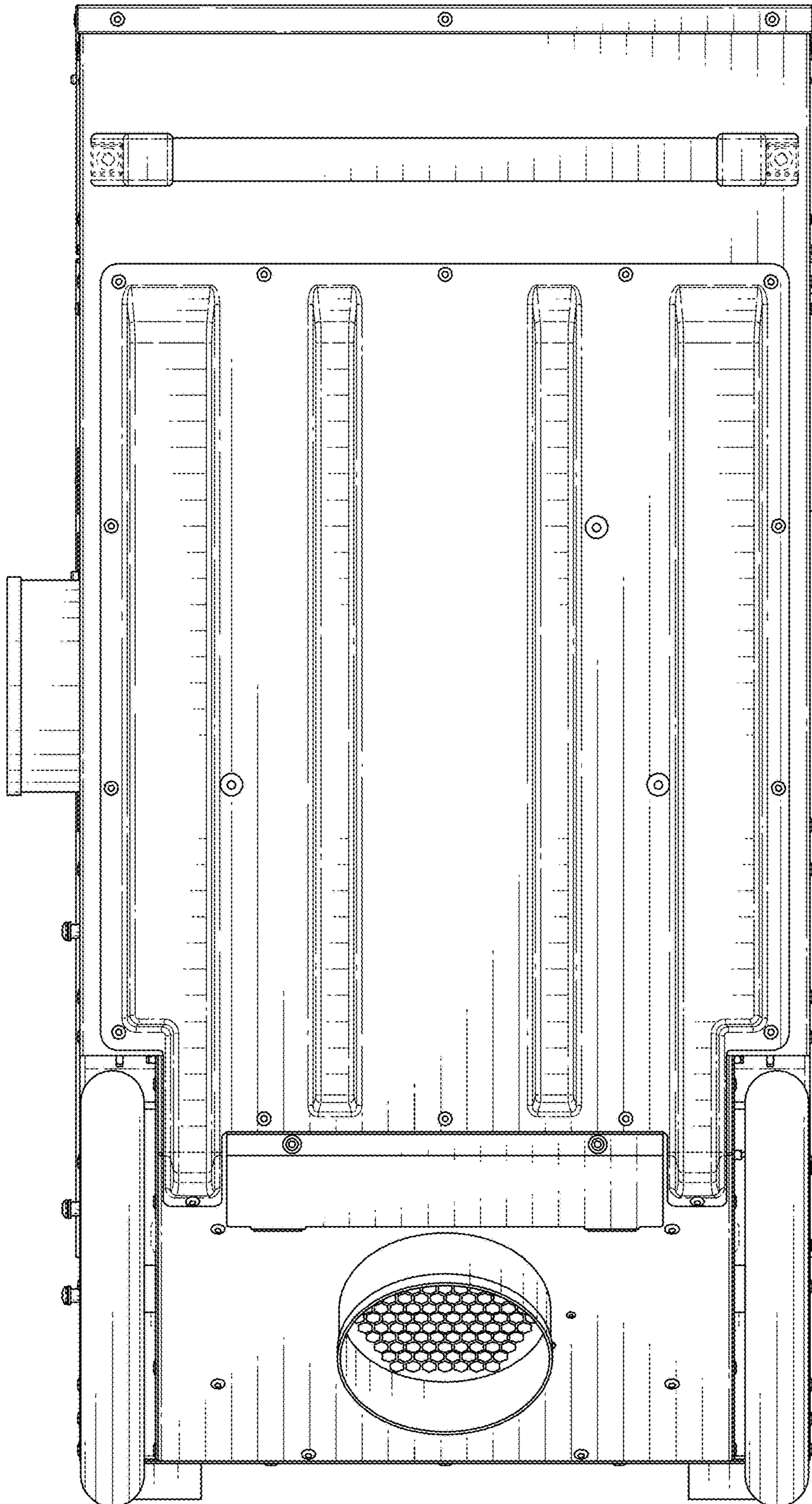


FIG. 3

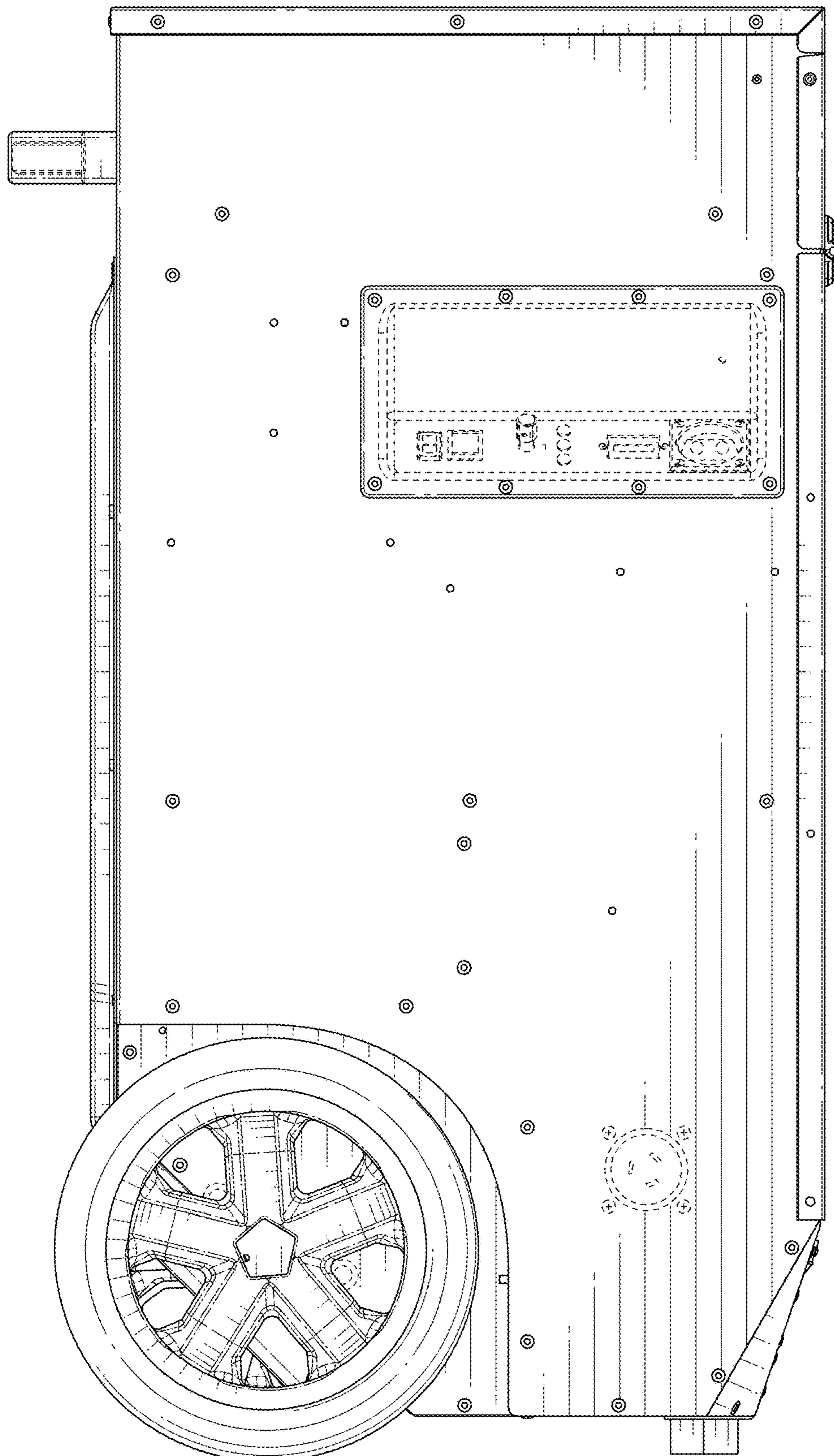


FIG. 4

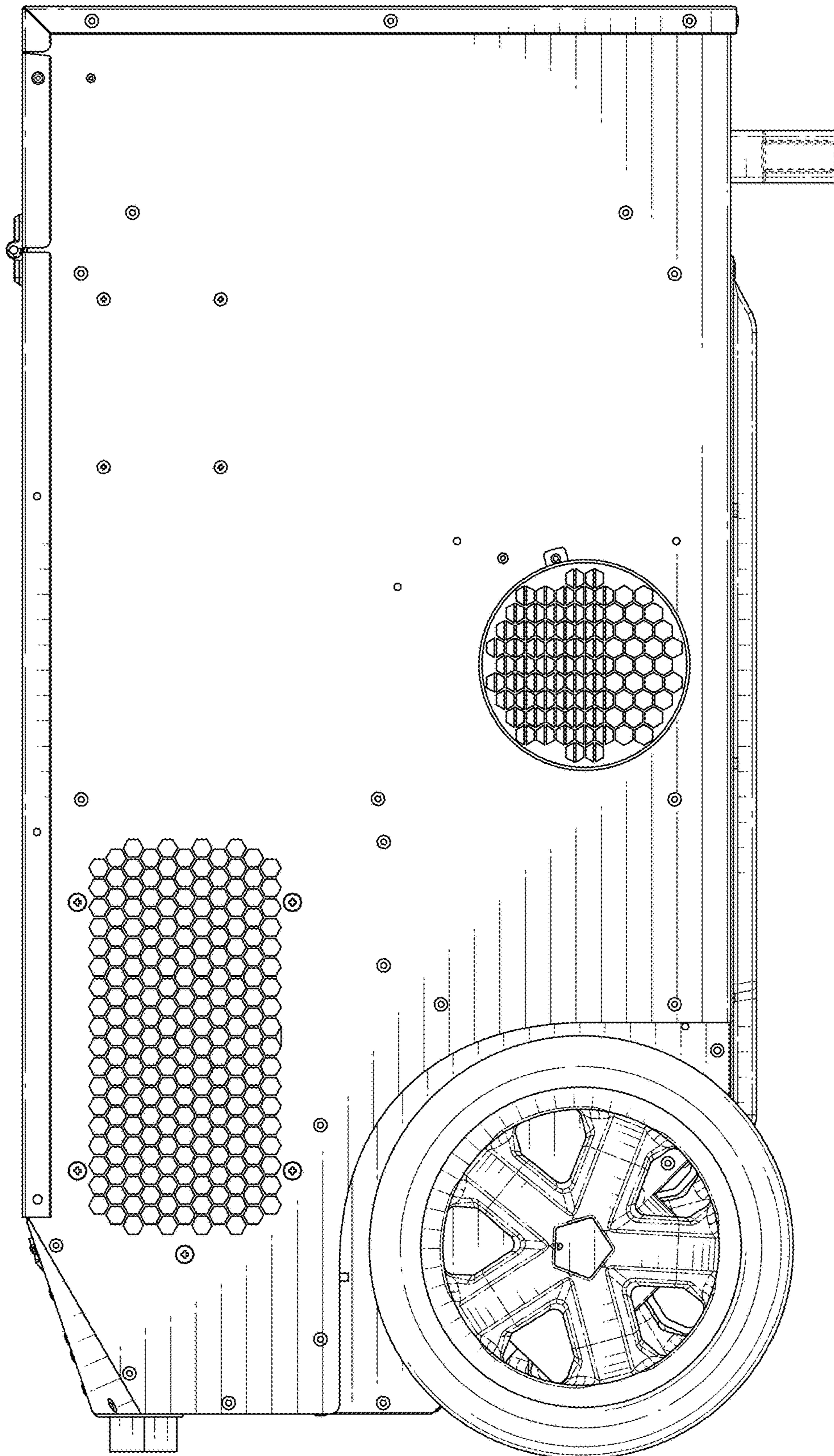


FIG. 5

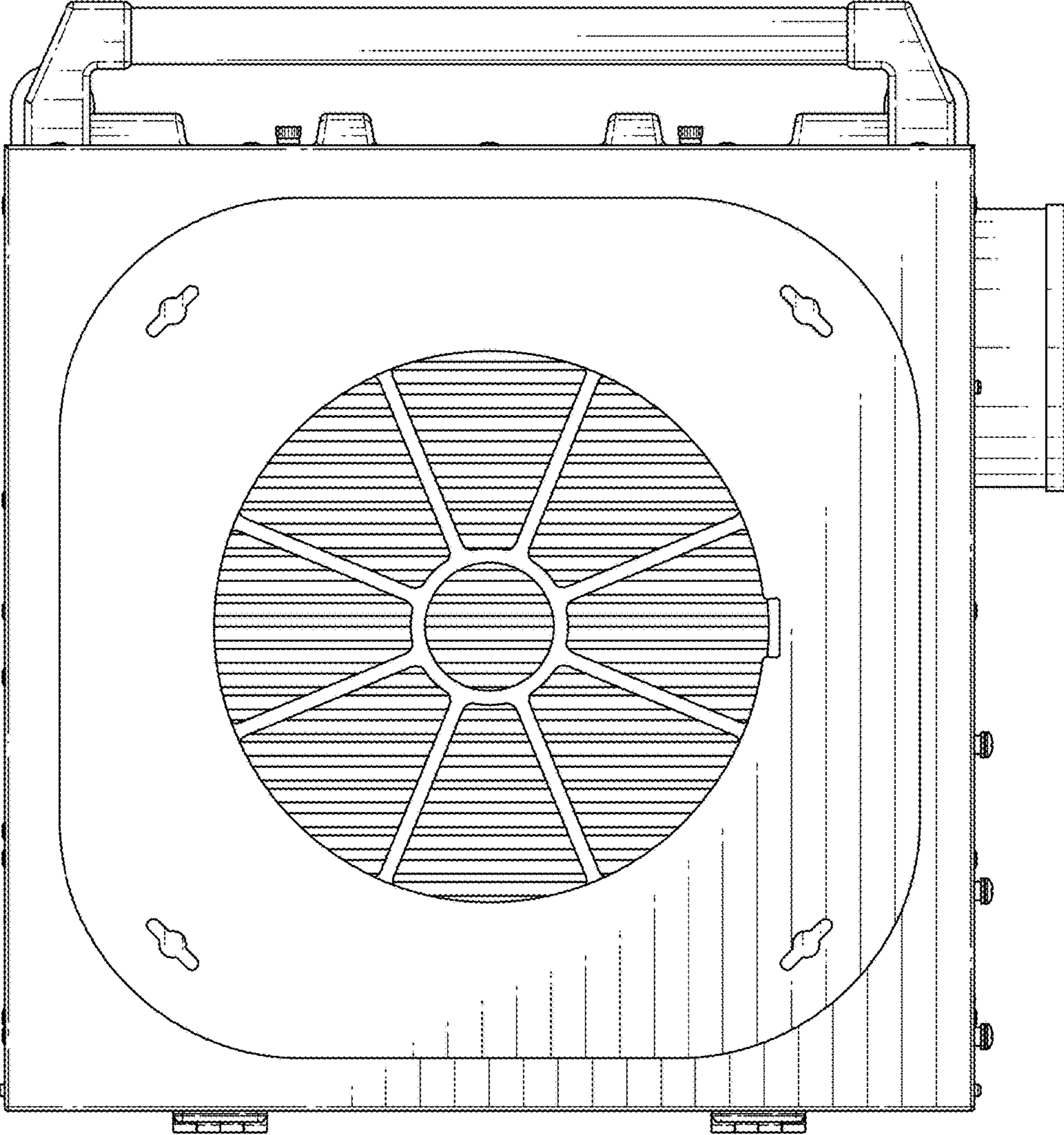


FIG. 6

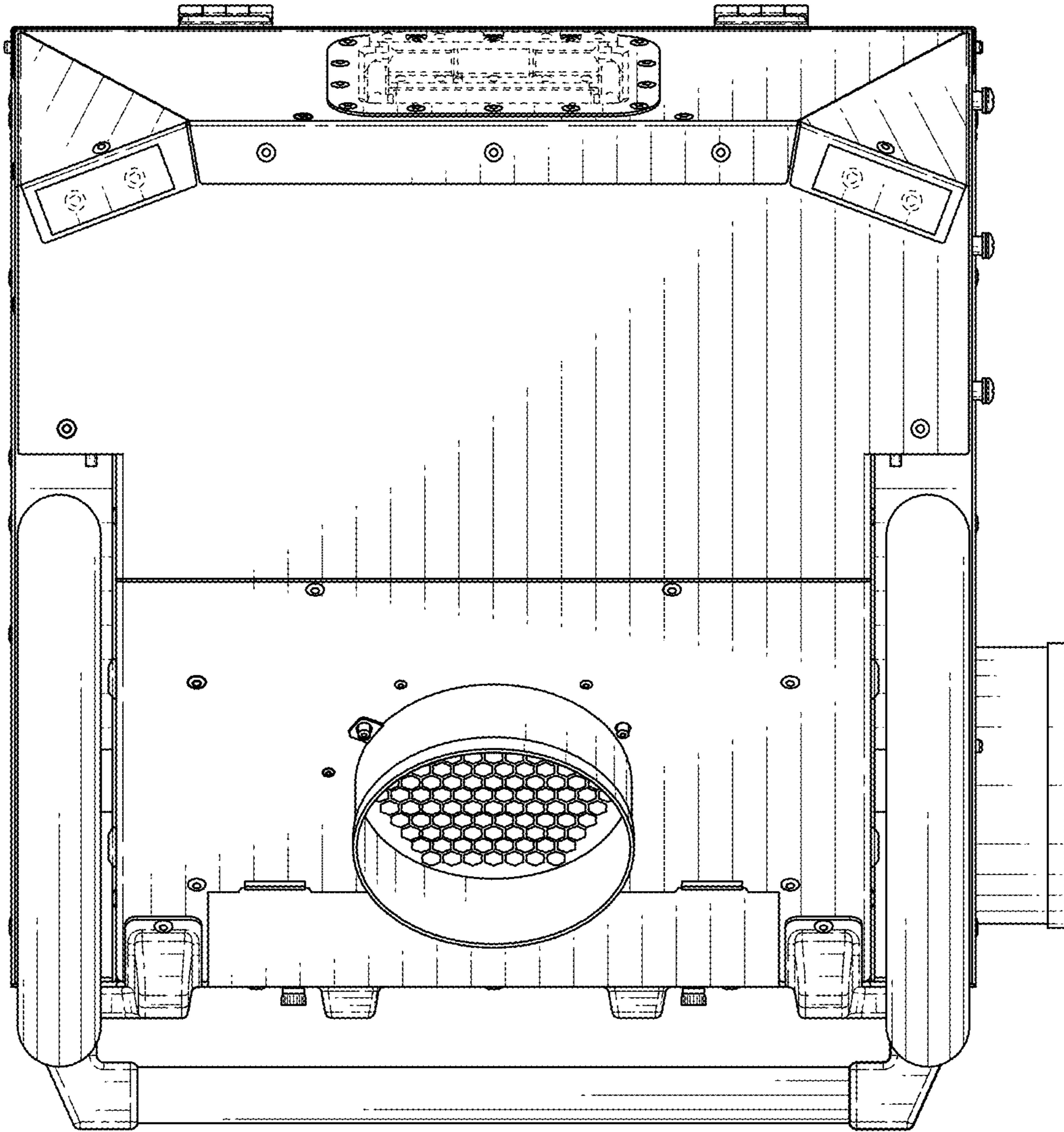


FIG. 7