



US00D853540S

(12) **United States Design Patent** (10) **Patent No.:** **US D853,540 S**
Snyder (45) **Date of Patent:** **** Jul. 9, 2019**

(54) **TOILET LID AND SEAT** 6,782,561 B2 8/2004 Sigler et al.
6,883,188 B2 4/2005 Sigler et al.
(71) Applicant: **Dometic Sweden AB**, Solna (SE) D507,823 S * 7/2005 Gordon D23/311
(Continued)

(72) Inventor: **Nathan A. Snyder**, Big Prairie, OH (US)

FOREIGN PATENT DOCUMENTS

(73) Assignee: **Dometic Sweden AB**, Solna (SE)

AU 201811509 4/2018
AU 201811512 4/2018

(**) Term: **15 Years**

(Continued)

(21) Appl. No.: **29/618,006**

OTHER PUBLICATIONS

(22) Filed: **Sep. 18, 2017**

European Design Patent Application No. 004752749 filed Mar. 13, 2018.

(51) **LOC (11) Cl.** **23-02**

(Continued)

(52) **U.S. Cl.**
USPC **D23/311**

(58) **Field of Classification Search**
USPC D23/303, 311-312
CPC A47K 13/00; A47K 13/06; A47K 13/24;
A47K 13/305
See application file for complete search history.

Primary Examiner — Robert A Delehanty
(74) *Attorney, Agent, or Firm* — Middleton Reutlinger

(57) **CLAIM**

The ornamental design for a toilet lid and seat, as shown and described.

(56) **References Cited**

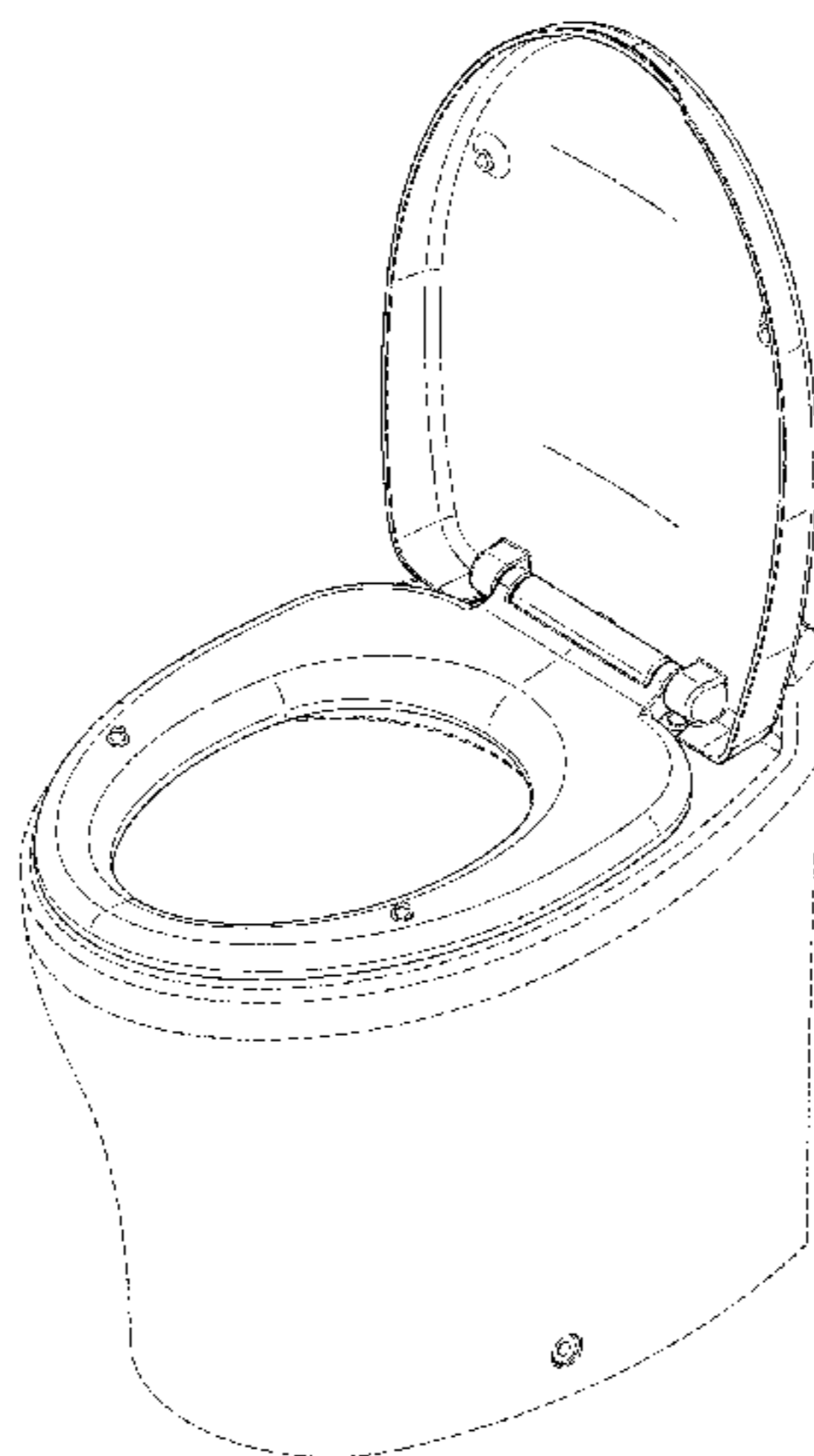
DESCRIPTION

U.S. PATENT DOCUMENTS

3,846,847	A	11/1974	Tufts et al.	
4,516,280	A	5/1985	Tufts	
4,739,525	A	4/1988	De Graw et al.	
4,819,279	A	4/1989	Sigler et al.	
5,036,554	A	8/1991	Blount	
5,345,618	A	9/1994	Sigler et al.	
5,408,704	A	4/1995	Bailey et al.	
D423,655	S *	4/2000	Otte	D23/311
6,148,860	A	11/2000	Sigler	
D435,638	S *	12/2000	Merry	D23/311
6,212,700	B1	4/2001	Giesler et al.	
6,374,431	B1	4/2002	Dahlberg	
6,397,407	B1	6/2002	Dahlberg	
6,421,843	B1	7/2002	Mellinger et al.	
6,449,780	B1 *	9/2002	Merry	A47K 13/06 4/235
RE38,191	E *	7/2003	Otte	A47K 13/00 D23/311

FIG. 1 is a perspective view of a first embodiment of a toilet lid and seat design in a partially open position;
FIG. 2 is a front view of the toilet lid and seat design of FIG. 1;
FIG. 3 is a first side view of the toilet lid and seat design of FIG. 1;
FIG. 4 is a second side view of the toilet lid and seat design of FIG. 1;
FIG. 5 is a top view of the toilet lid and seat design of FIG. 1; and,
FIG. 6 is a second perspective view of the toilet lid and seat design of FIG. 1 in a closed position.
The broken line disclosure represents unclaimed portions of the toilet lid and seat in which the design is embodied.

1 Claim, 6 Drawing Sheets



(56)

References Cited

FOREIGN PATENT DOCUMENTS

U.S. PATENT DOCUMENTS

6,957,450 B2	10/2005	Sigler et al.	
6,981,285 B2	1/2006	Sigler et al.	
6,991,192 B2	1/2006	Phillips et al.	
D531,711 S	11/2006	Bradford	
D532,492 S	11/2006	Giese	
D587,791 S	3/2009	Jaeckel et al.	
7,725,961 B2	6/2010	Martinez et al.	
D651,298 S *	12/2011	Huynh	D23/309
8,276,218 B2	10/2012	Grech	
8,499,368 B2	8/2013	Wunderlich et al.	
8,528,123 B2	9/2013	Hashem et al.	
8,656,524 B2	2/2014	McKiernan	
D708,719 S	7/2014	Jochim et al.	
D708,720 S	7/2014	Jochim et al.	
D708,722 S	7/2014	Jochim et al.	
8,769,730 B2	7/2014	Pohler et al.	
8,997,268 B2	4/2015	Miller et al.	
9,079,187 B2	7/2015	Ballestra	
9,399,183 B2	7/2016	McVay et al.	
9,617,993 B2	4/2017	Mehta	
9,676,347 B2	6/2017	Jochim et al.	
D811,562 S	2/2018	Snyder et al.	
2009/0014079 A1	1/2009	Stegall	
2010/0125940 A1	5/2010	Sigler et al.	
2012/0278985 A1	11/2012	Cornille	
2013/0081200 A1	4/2013	Jochim et al.	
2015/0059072 A1	3/2015	Jochim et al.	
2015/0059075 A1	3/2015	Oxenfarth et al.	
2017/0362808 A1	12/2017	Snyder et al.	

EM	004008704	5/2017
EP	1657369	7/2006
EP	1845209	10/2007
EP	1889979	2/2008
WO	7800009	12/1978
WO	2006102871	10/2006
WO	2016088105	6/2016

OTHER PUBLICATIONS

Amazon Thetford Macerating Elongated Toilet Kit Jul. 13, 2017.
 Canadian Design Patent Application 174705 entitled "Toilet" filed May 10, 2017.
 Dometic Products Catalog 2015; Toilets.
 Dometic Products Catalog 2016; Toilets.
 Dometic Products Catalog 2016; Sealand, Vacuflush Product Guide (pp. 1-32) Jan. 22, 2016.
 International Search Report and Written Opinion for PCT/IB2015/059382 dated Mar. 1, 2016.
 JABSCO Products, 14" Deluxe Flush Electric Toilets; Model No. 58xx0 14" Series, Mar. 14, 2012.
 Jabsco Products, 17" Deluxe Flush Electric Toilets; Model No. 58xx0 17" Series, Mar. 14, 2012.
 JABSCO Products, Electric Toilets, Nov. 12, 2011.
 Thetford Marine, Tecma Easy Fit Toilet, Oct. 16, 2014.
 Thetford Marine, Tecma Silence Plus Toilet, Oct. 6, 2014.

* cited by examiner

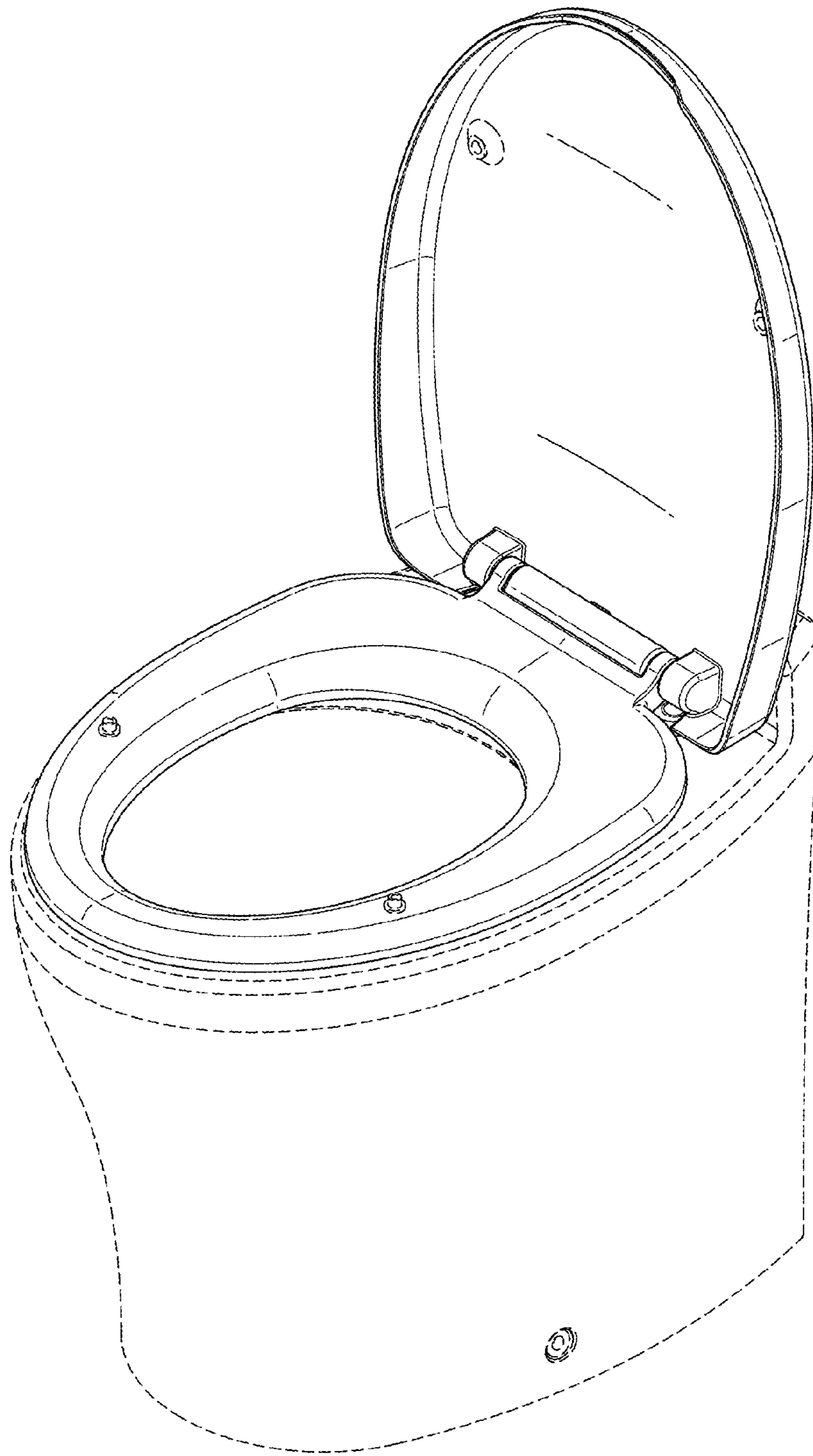


FIG. 1

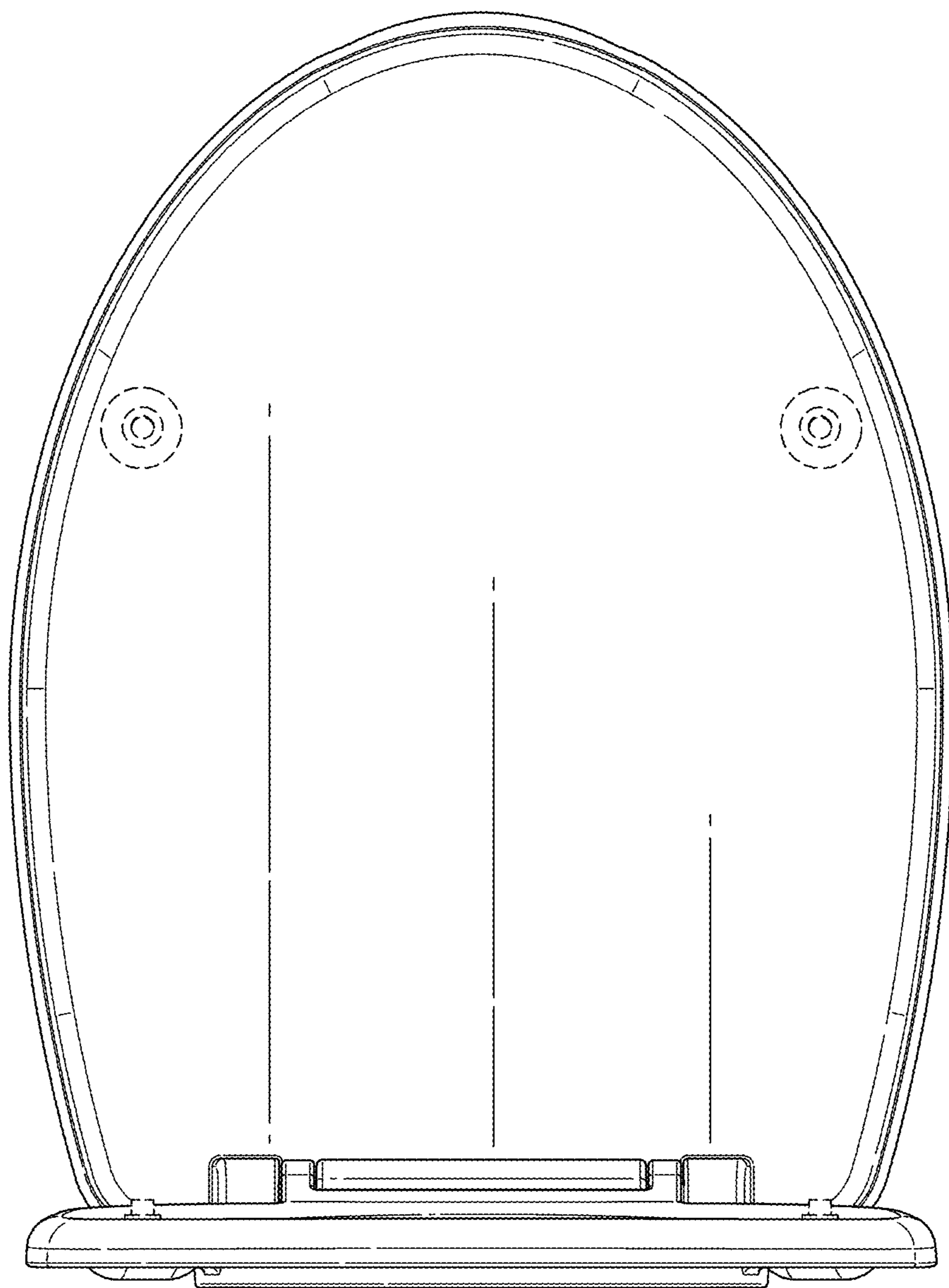


FIG. 2

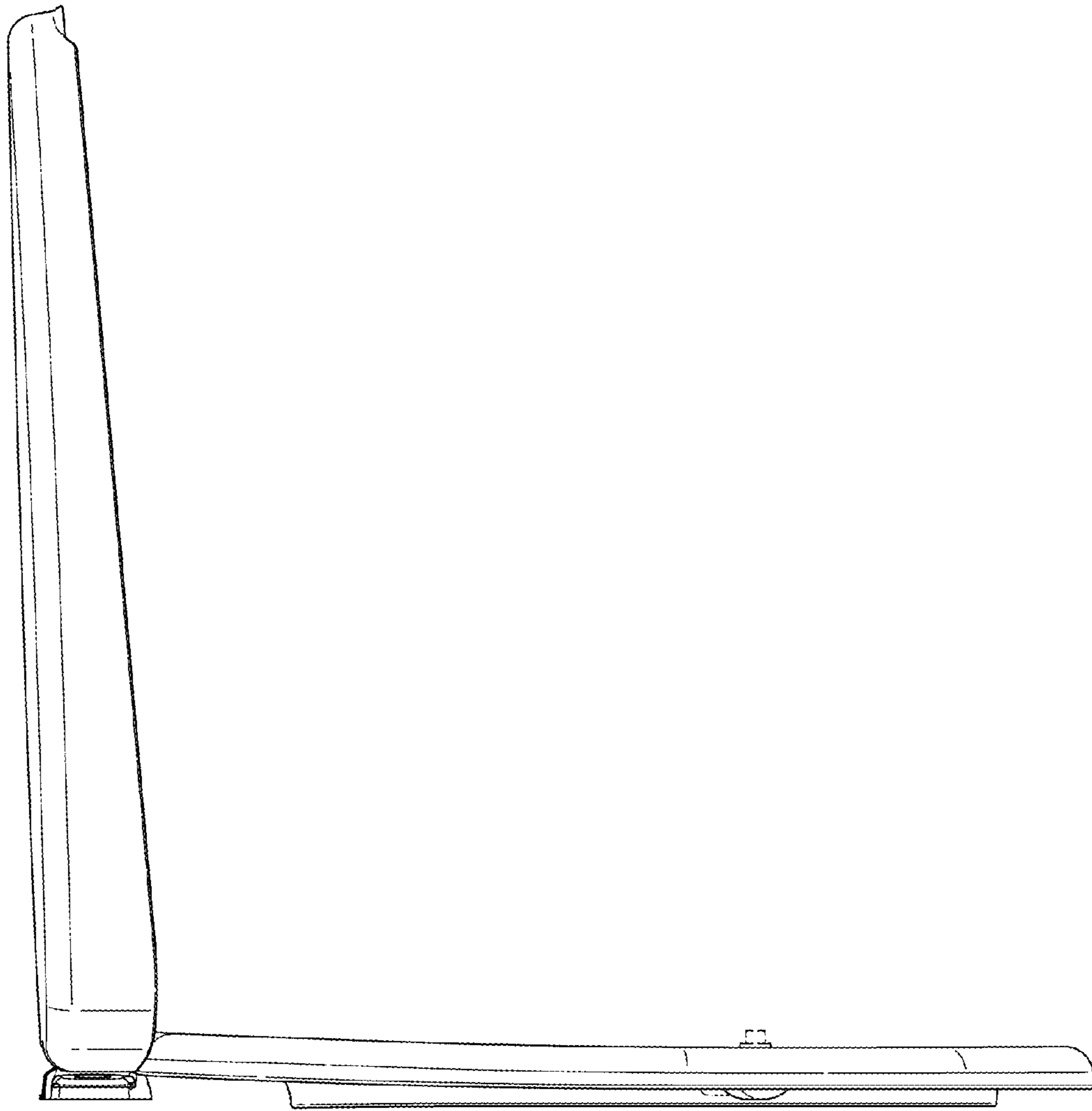


FIG. 3

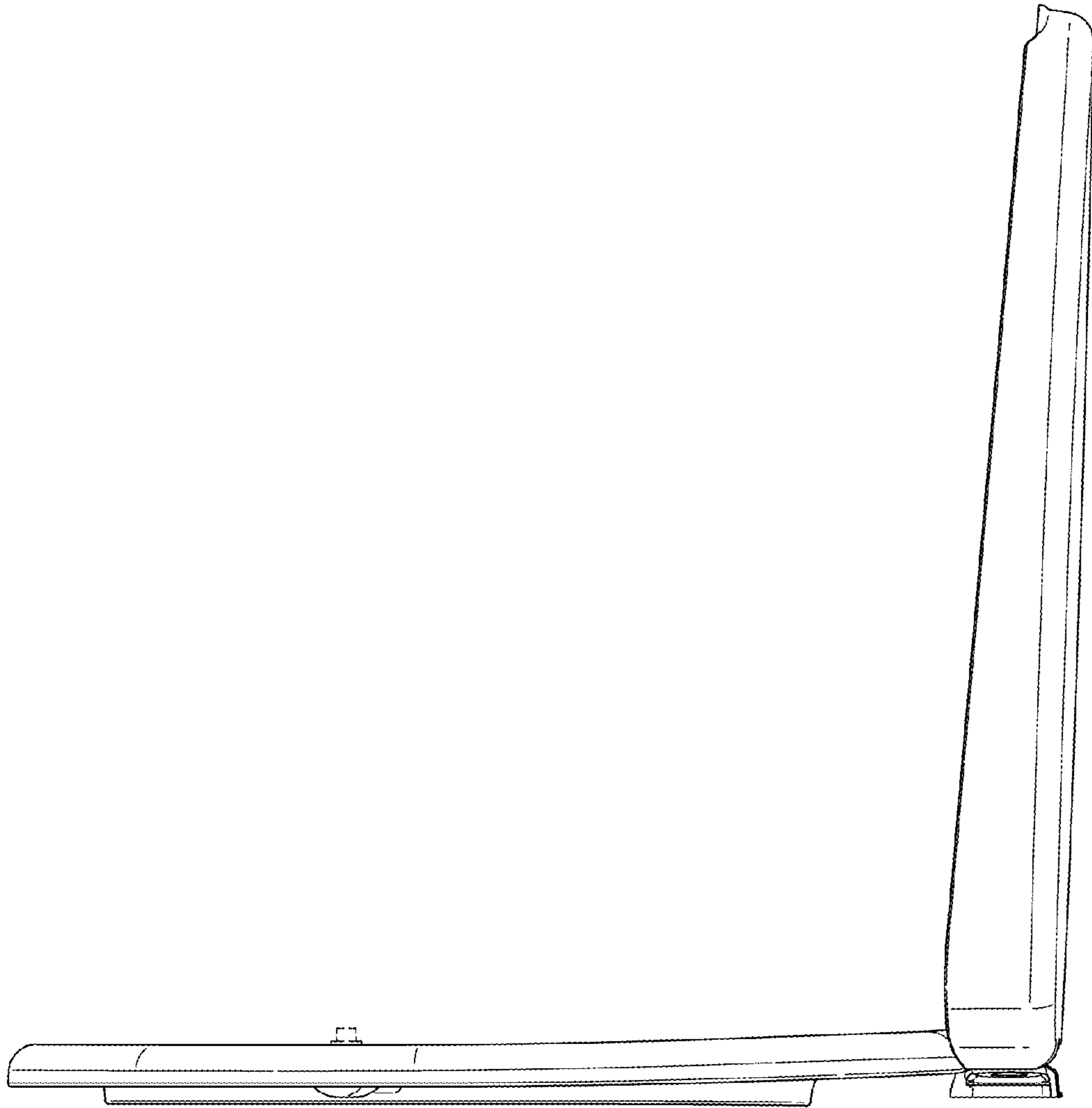


FIG. 4

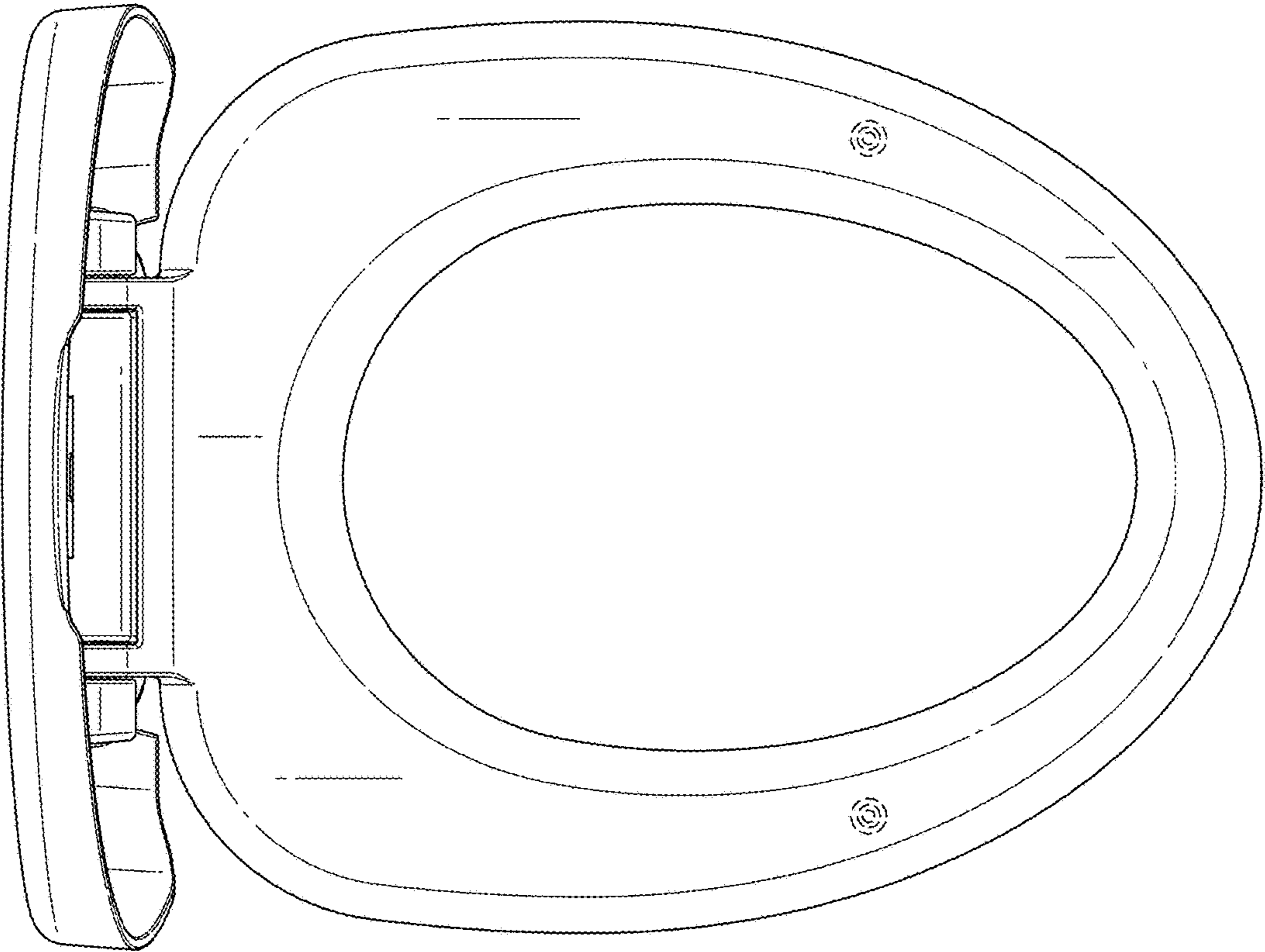


FIG. 5

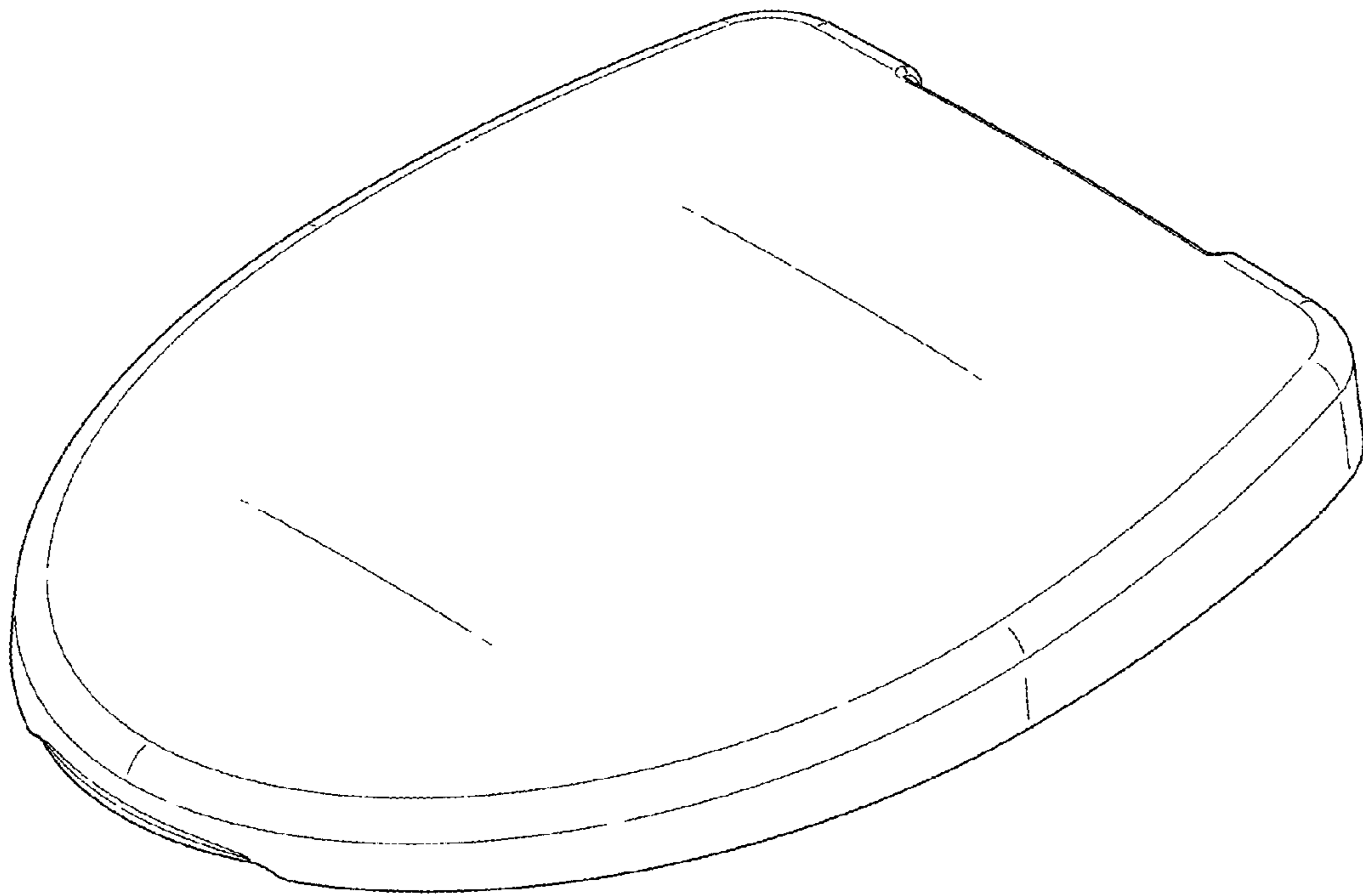


FIG. 6