



US00D853539S

(12) **United States Design Patent**
Richter

(10) **Patent No.:** **US D853,539 S**

(45) **Date of Patent:** **** Jul. 9, 2019**

(54) **BIDET**

(71) Applicant: **Duravit Aktiengesellschaft**, Hornberg (DE)

(72) Inventor: **Frank Richter**, Hornberg (DE)

(73) Assignee: **Duravit Aktiengesellschaft**, Hornberg (DE)

(**) Term: **15 Years**

(21) Appl. No.: **29/613,860**

(22) Filed: **Aug. 14, 2017**

(30) **Foreign Application Priority Data**

Feb. 15, 2017 (WO) DM/095253

(51) **LOC (11) Cl.** **23-02**

(52) **U.S. Cl.**
USPC **D23/300**

(58) **Field of Classification Search**
USPC D23/295, 300, 303, 309, 273–274
See application file for complete search history.

(56) **References Cited**

U.S. PATENT DOCUMENTS

D494,667 S *	8/2004	Kergoet	D23/295
D496,444 S *	9/2004	Kergoet	D23/301
D509,575 S *	9/2005	Kergoet	D23/295
6,986,172 B2 *	1/2006	Hidetaka	E03D 1/28 4/421
D532,494 S *	11/2006	Mukai	D23/301
D556,870 S *	12/2007	Lin	D23/295
D594,944 S *	6/2009	Starck	D23/301

(Continued)

Primary Examiner — Robert A Delehanty

(74) *Attorney, Agent, or Firm* — Florek & Endres PLLC

(57) **CLAIM**

I claim the ornamental design for a bidet, as shown and described.

DESCRIPTION

FIG. 1 is a perspective view of a first embodiment of a design for a bidet.

FIG. 2 is a top plan view of a first embodiment of a design for a bidet.

FIG. 3 is a bottom plan view of a first embodiment of a design for a bidet.

FIG. 4 is a front elevation view of a first embodiment of a design for a bidet.

FIG. 5 is a rear elevation view of a first embodiment of a design for a bidet.

FIG. 6 is a right side elevation view of a first embodiment of a design for a bidet.

FIG. 7 is a left side elevation view of a first embodiment of a design for a bidet.

FIG. 8 is a perspective view of a second embodiment of a design for a bidet.

FIG. 9 is a top plan view of a second embodiment of a design for a bidet.

FIG. 10 is a bottom plan view of a second embodiment of a design for a bidet.

FIG. 11 is a front elevation view of a second embodiment of a design for a bidet.

FIG. 12 is a rear elevation view of a second embodiment of a design for a bidet.

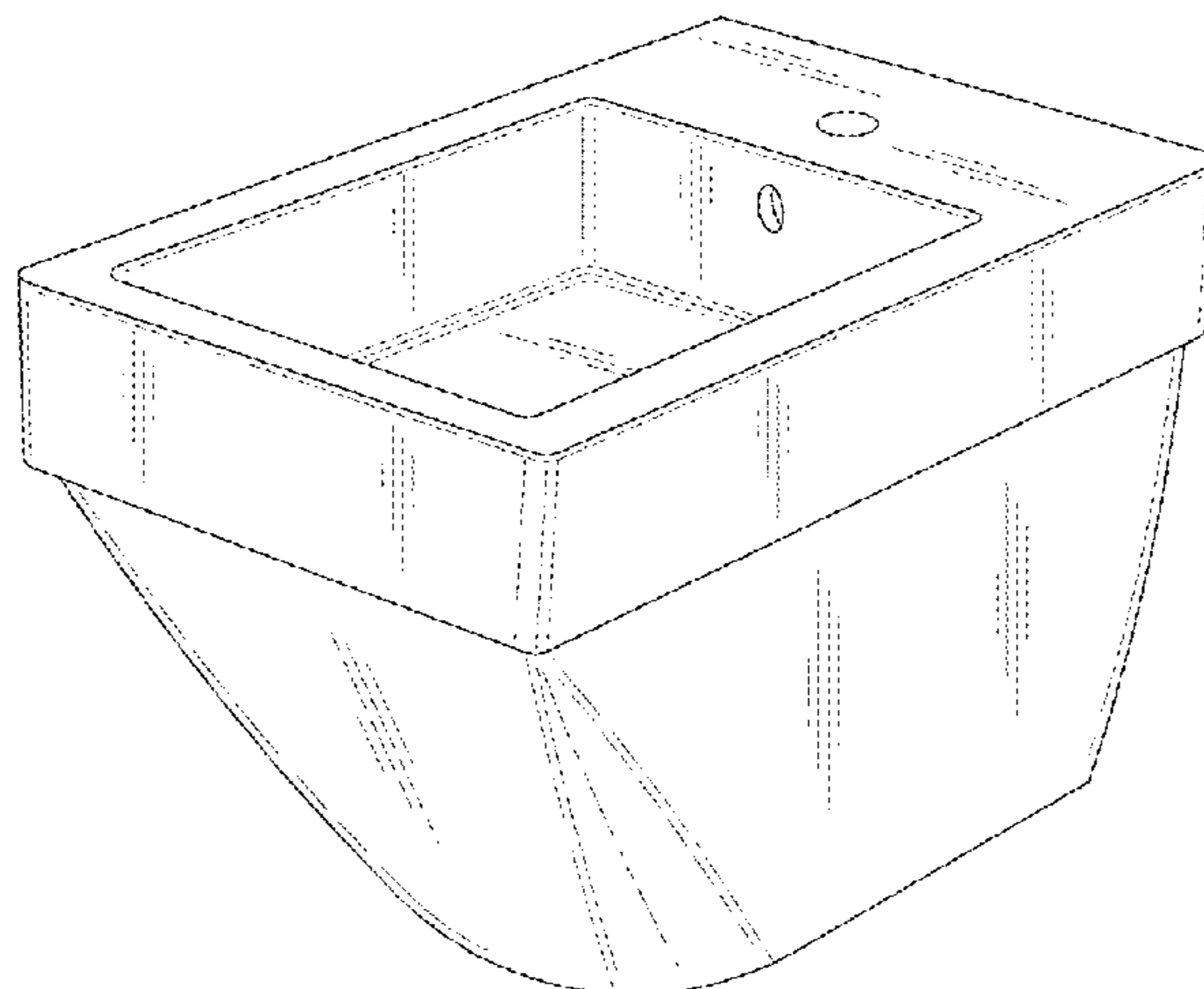
FIG. 13 is a right side elevation view of a second embodiment of a design for a bidet; and,

FIG. 14 is a left side elevation view of a second embodiment of a design for a bidet.

The embodiments presented in FIGS. 1-14 are as contemplated by the MPEP Section No. 1504.05. Thus, the multiple embodiments involve a single inventive concept and are a single patentable design.

The broken lines in the drawings are for the purpose of illustration only and form no part of the claimed design.

1 Claim, 7 Drawing Sheets



(56)

References Cited

U.S. PATENT DOCUMENTS

D612,026	S *	3/2010	Soulier	D23/295
D622,827	S *	8/2010	Soulier	D23/295
D663,391	S *	7/2012	Iranyi	D23/295
D683,437	S *	5/2013	Newson	D23/301
D683,828	S *	6/2013	Newson	D23/295
10,060,113	B2 *	8/2018	Luetngen	E03D 9/00
D828,525	S *	9/2018	Cummings	D23/295

* cited by examiner

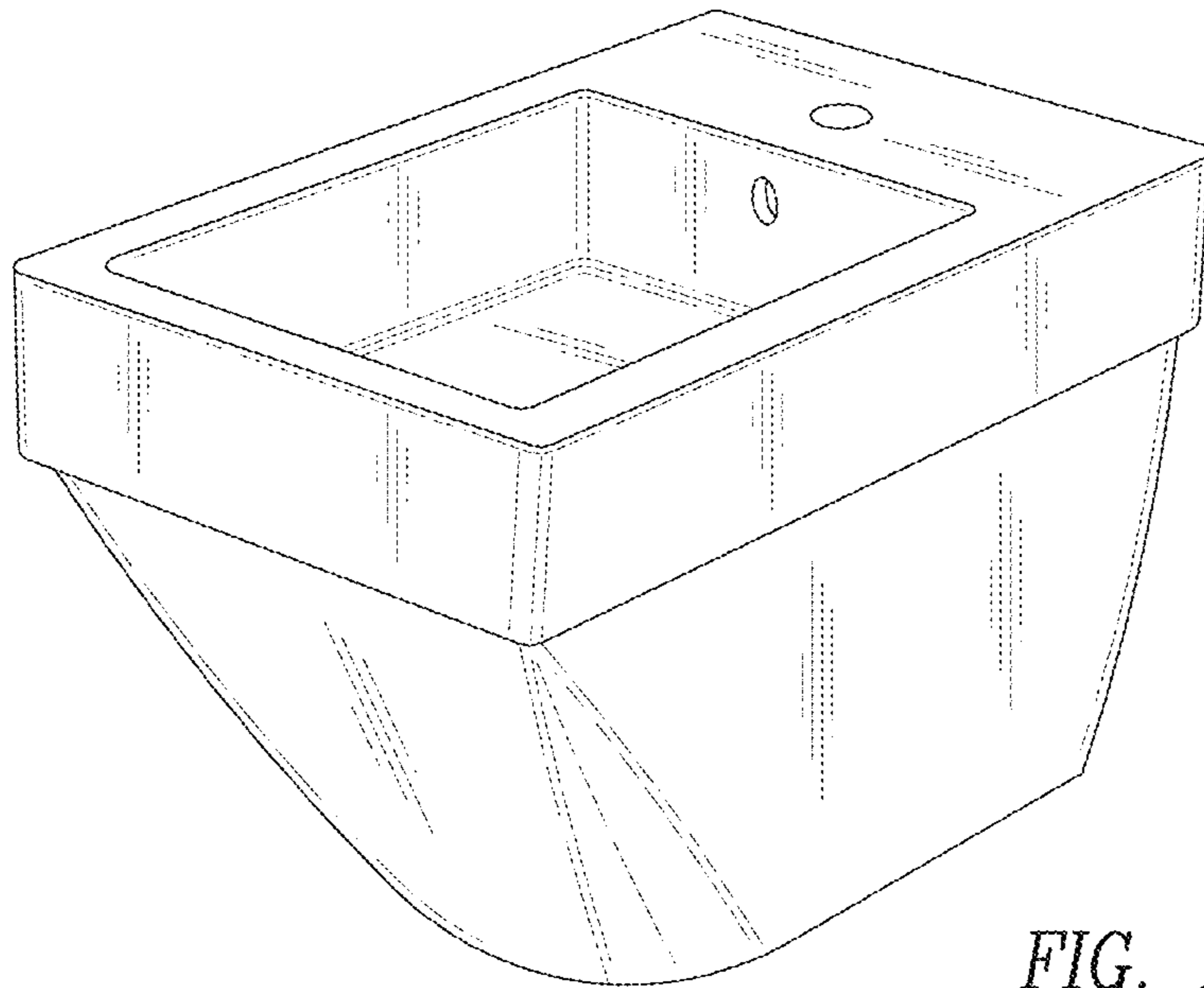


FIG. 1

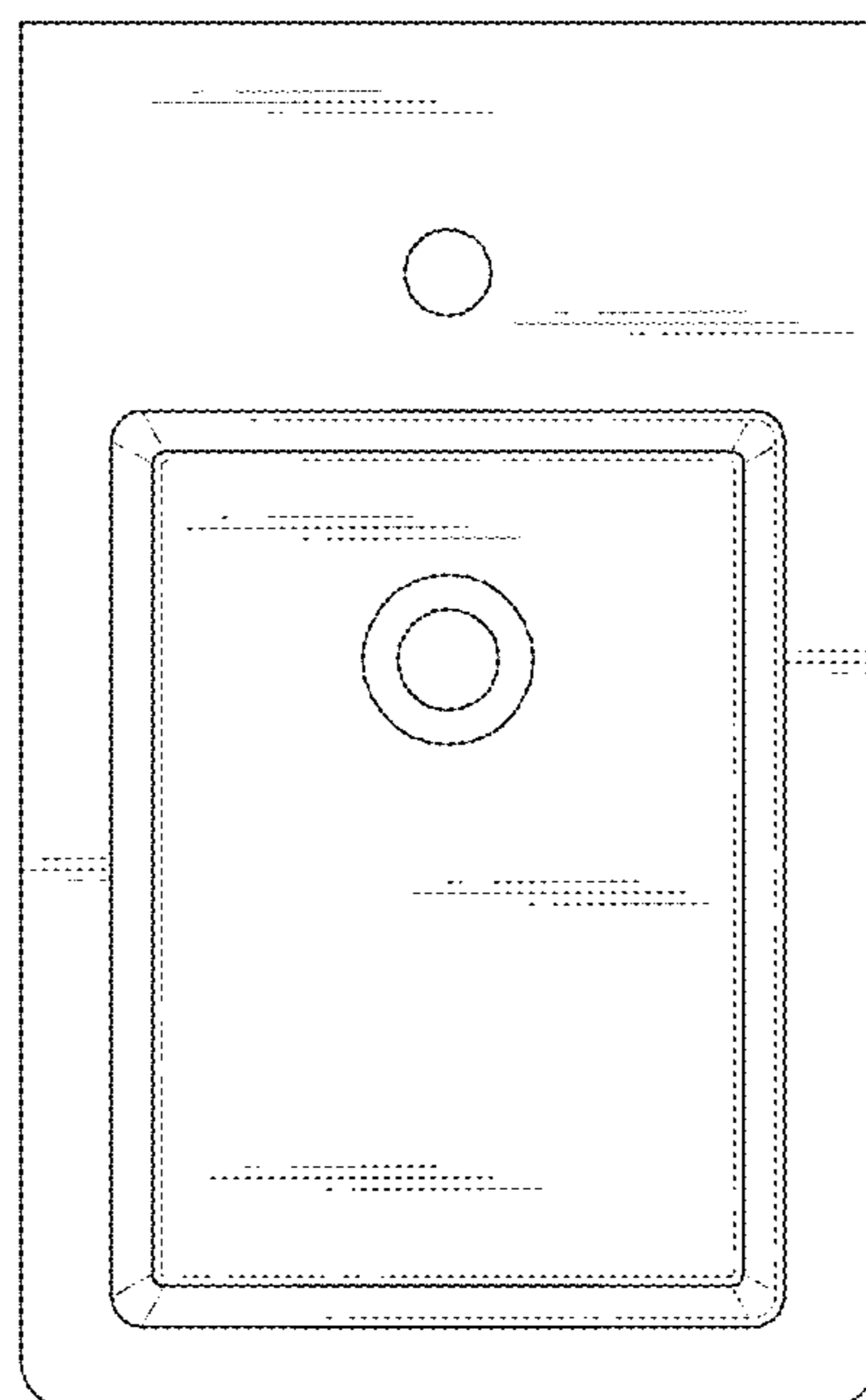


FIG. 2

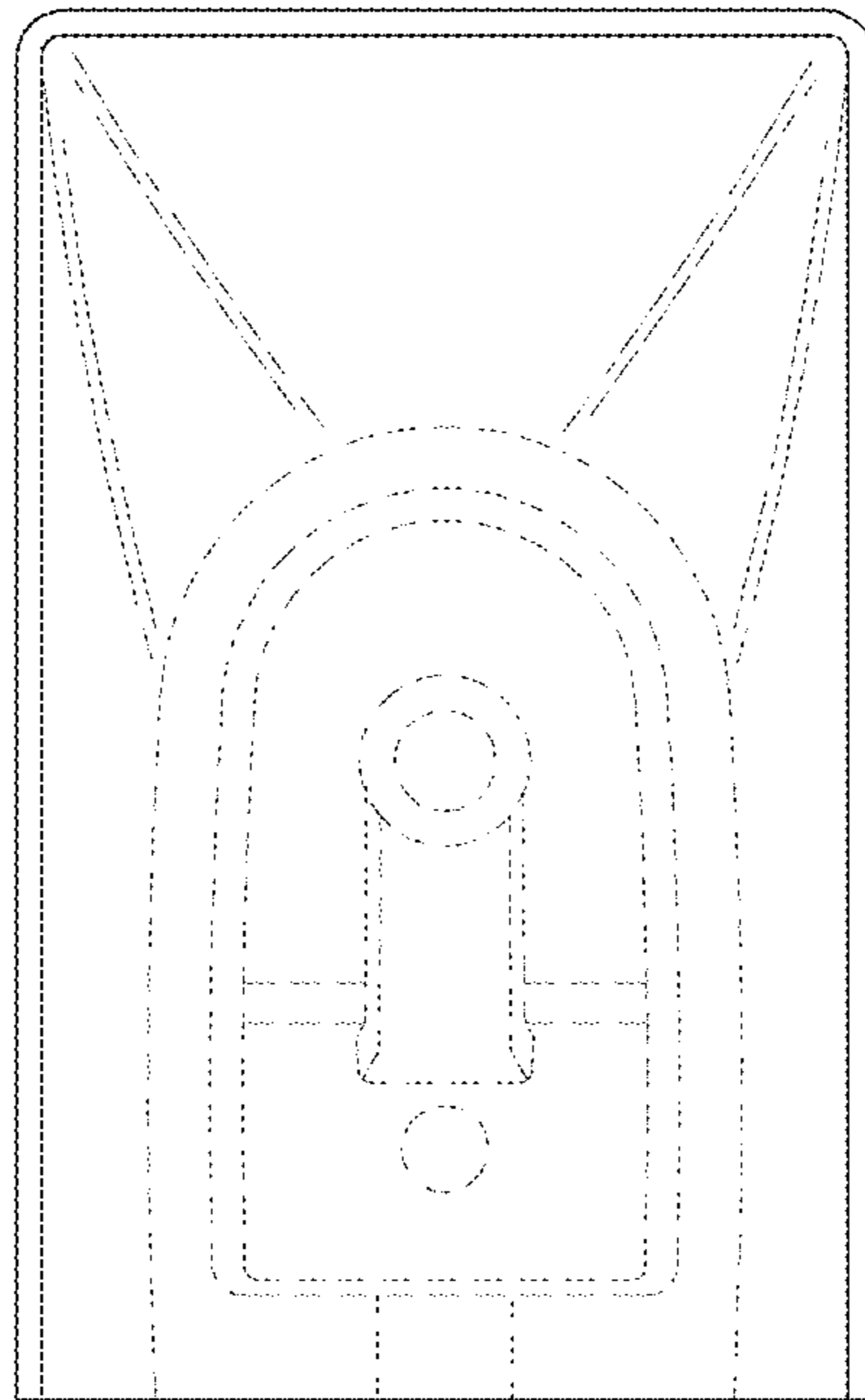


FIG. 3

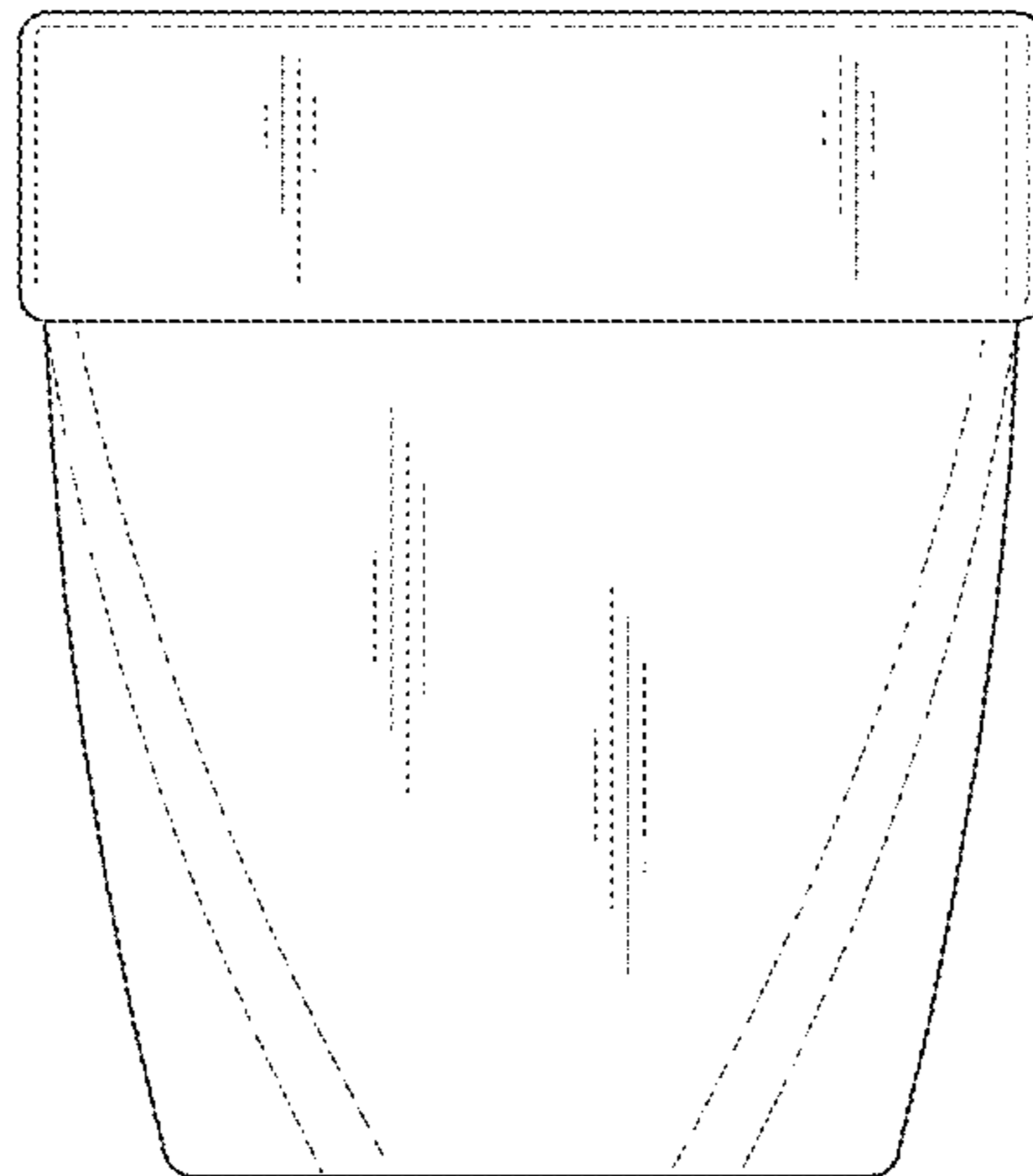


FIG. 4

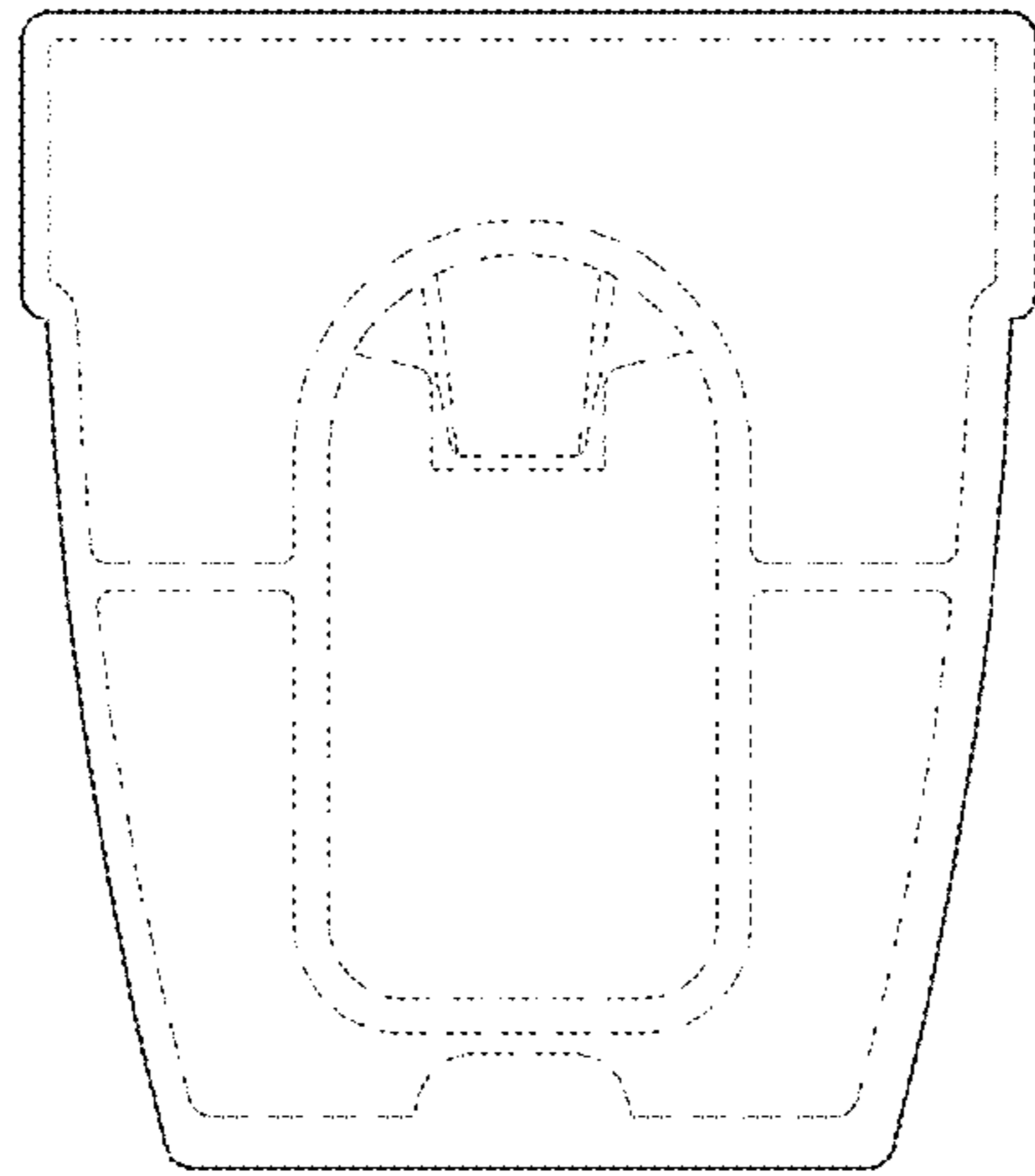


FIG. 5

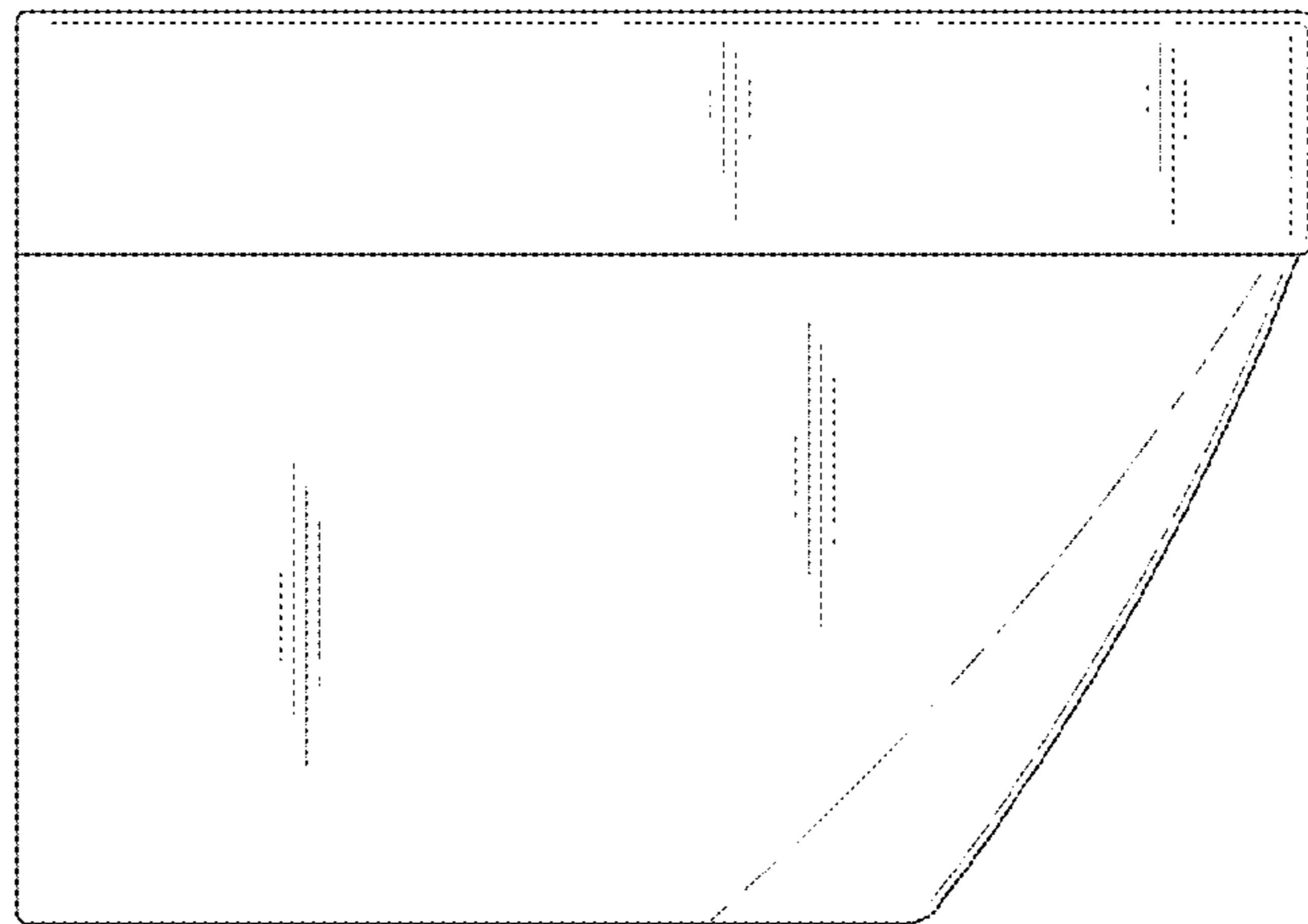


FIG. 6

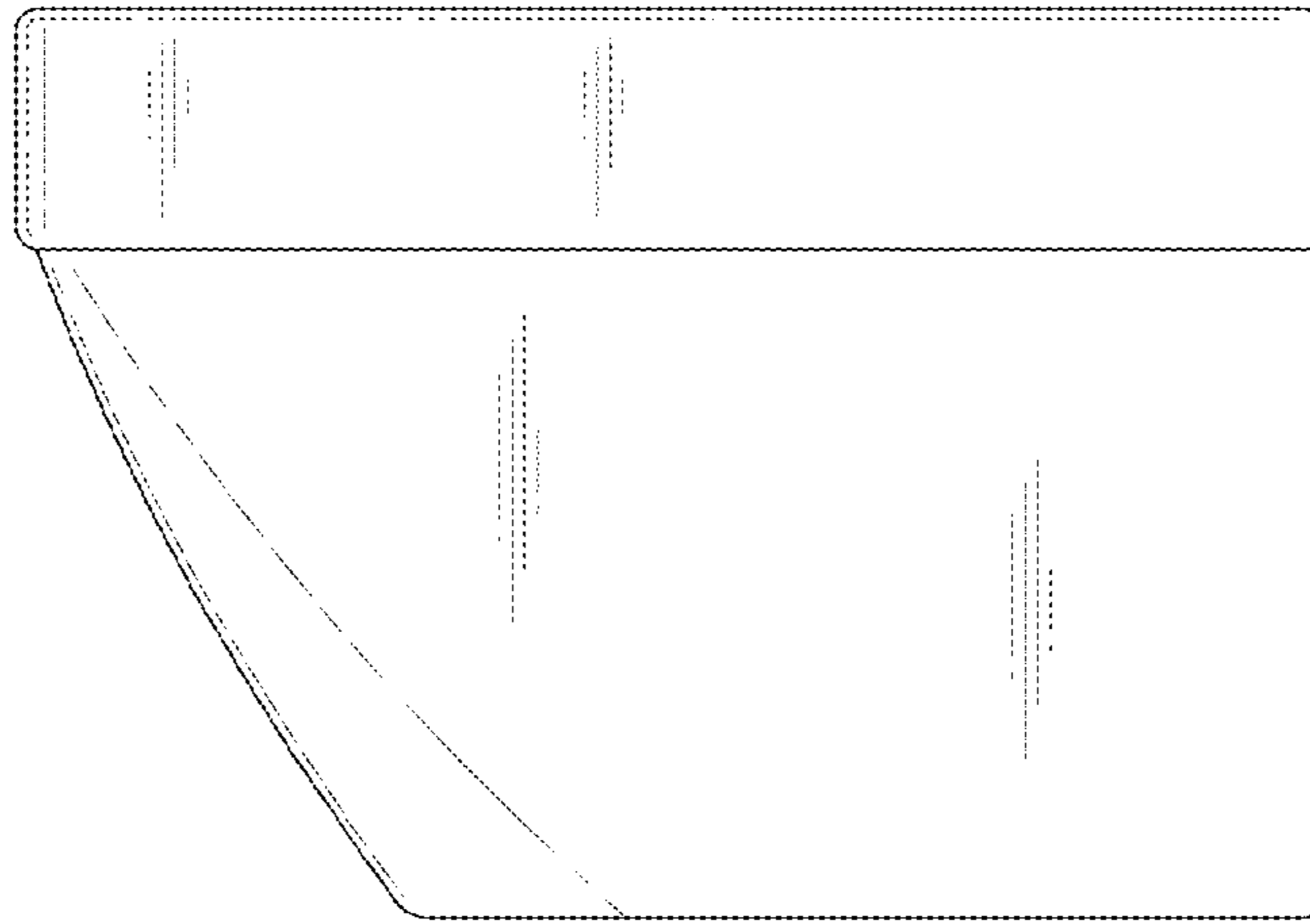


FIG. 7

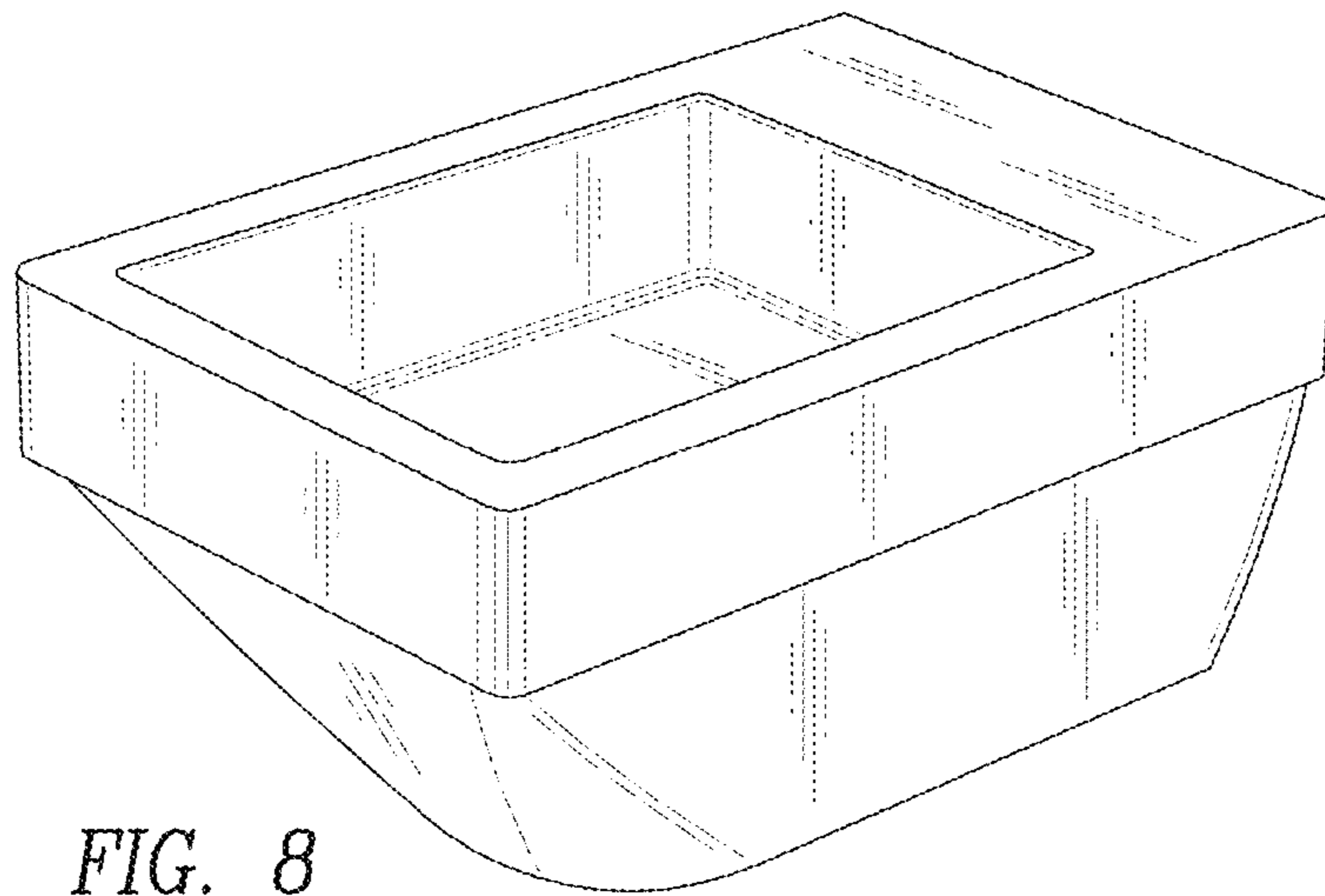


FIG. 8

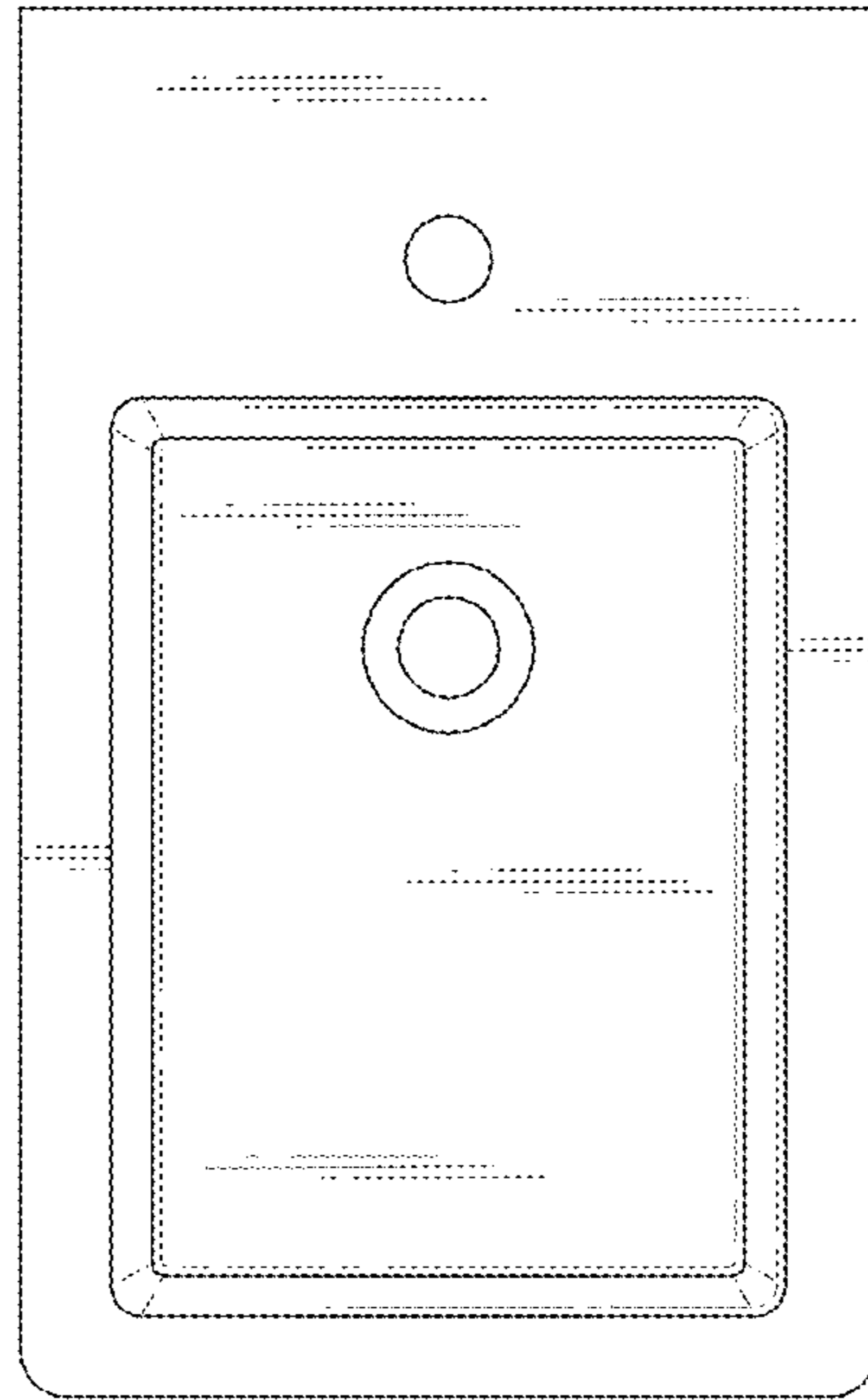


FIG. 9

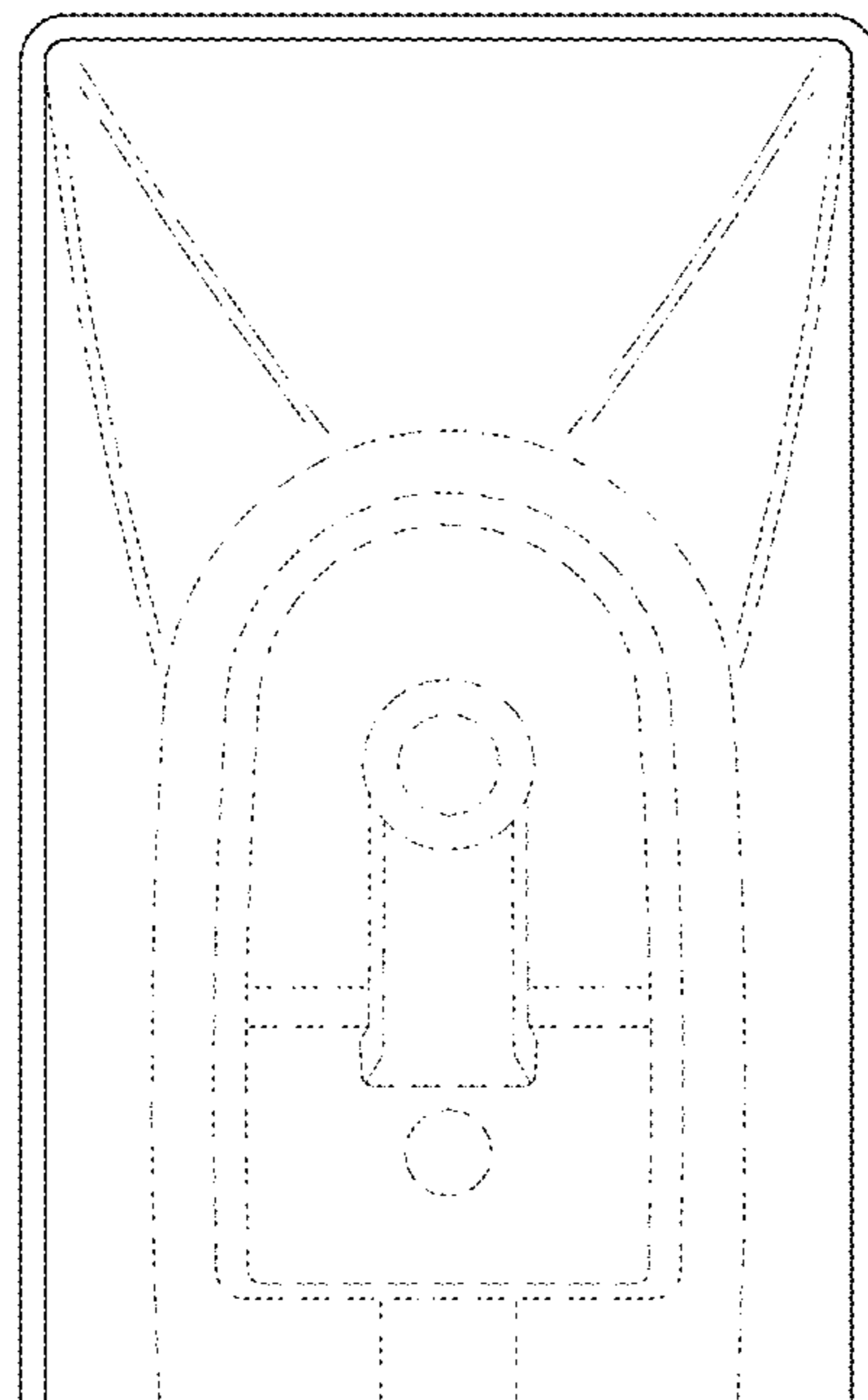


FIG. 10

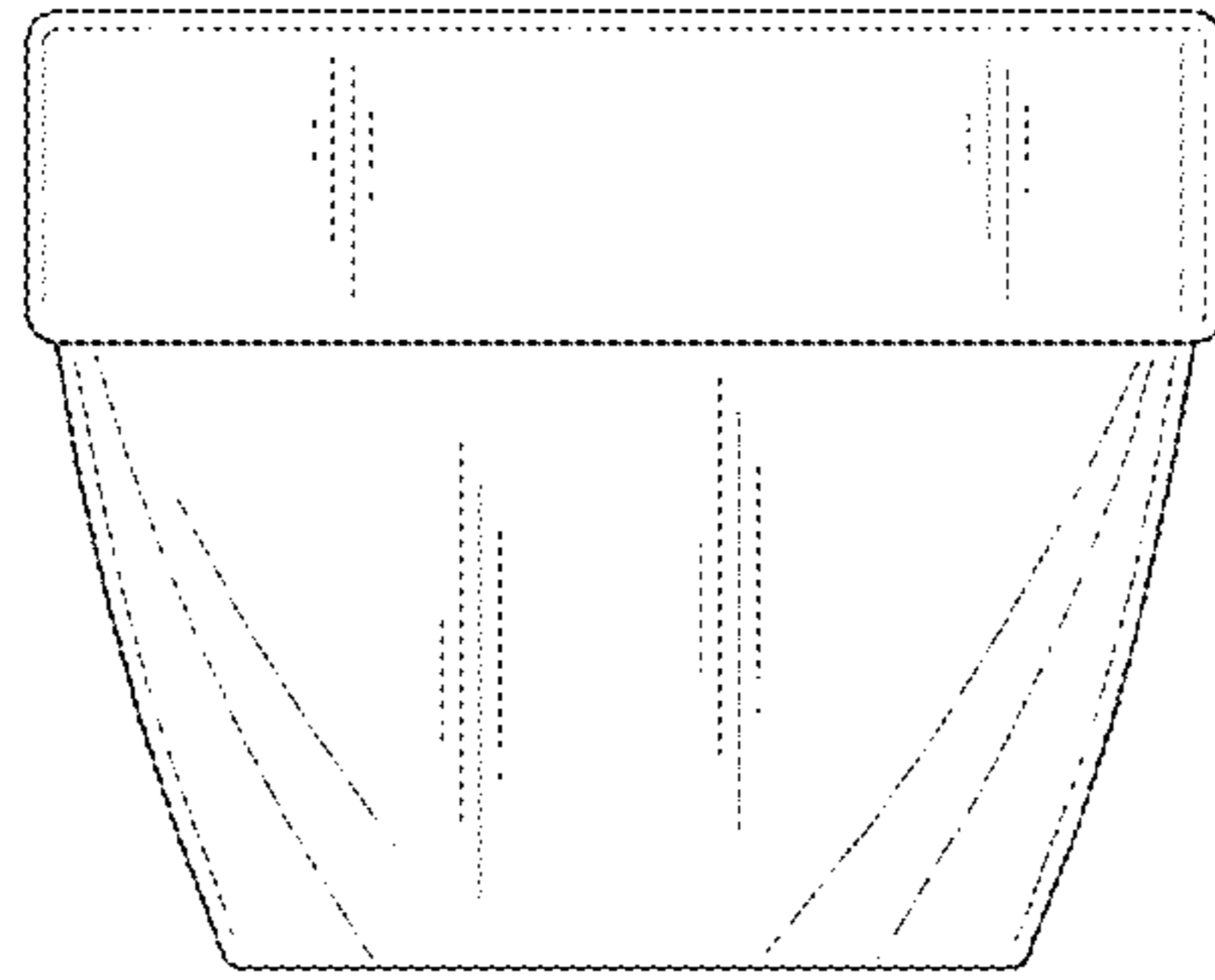


FIG. 11

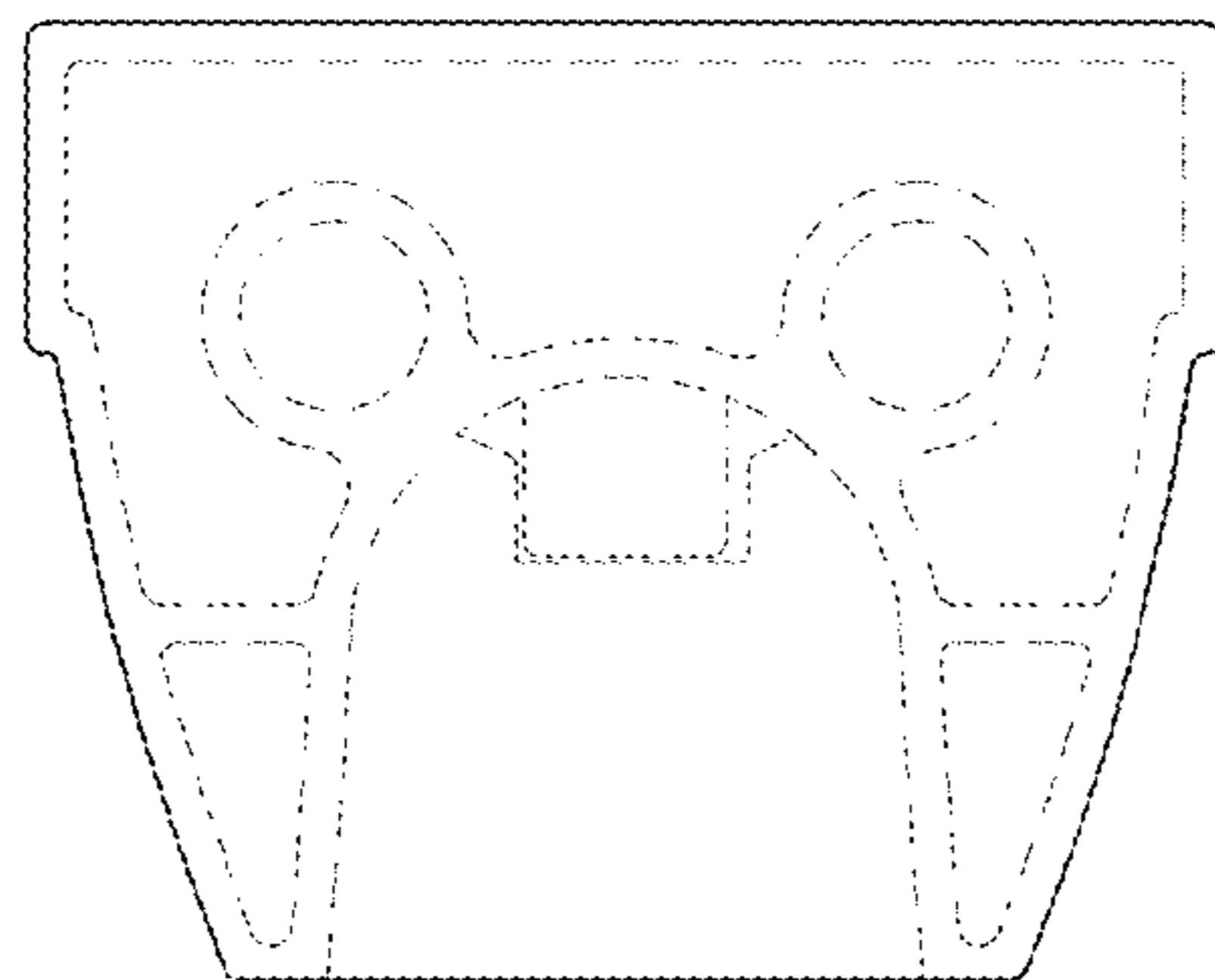


FIG. 12

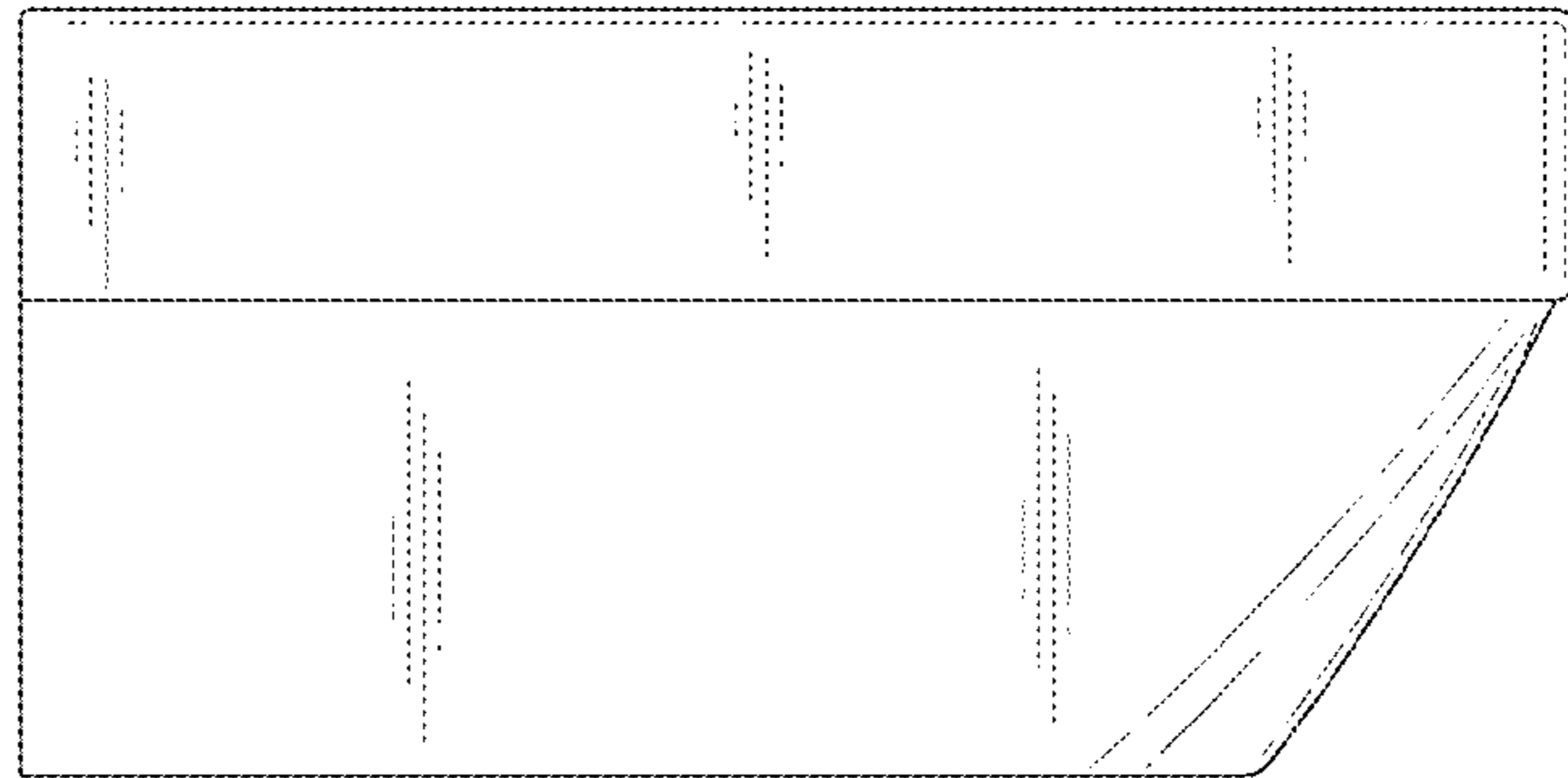


FIG. 13

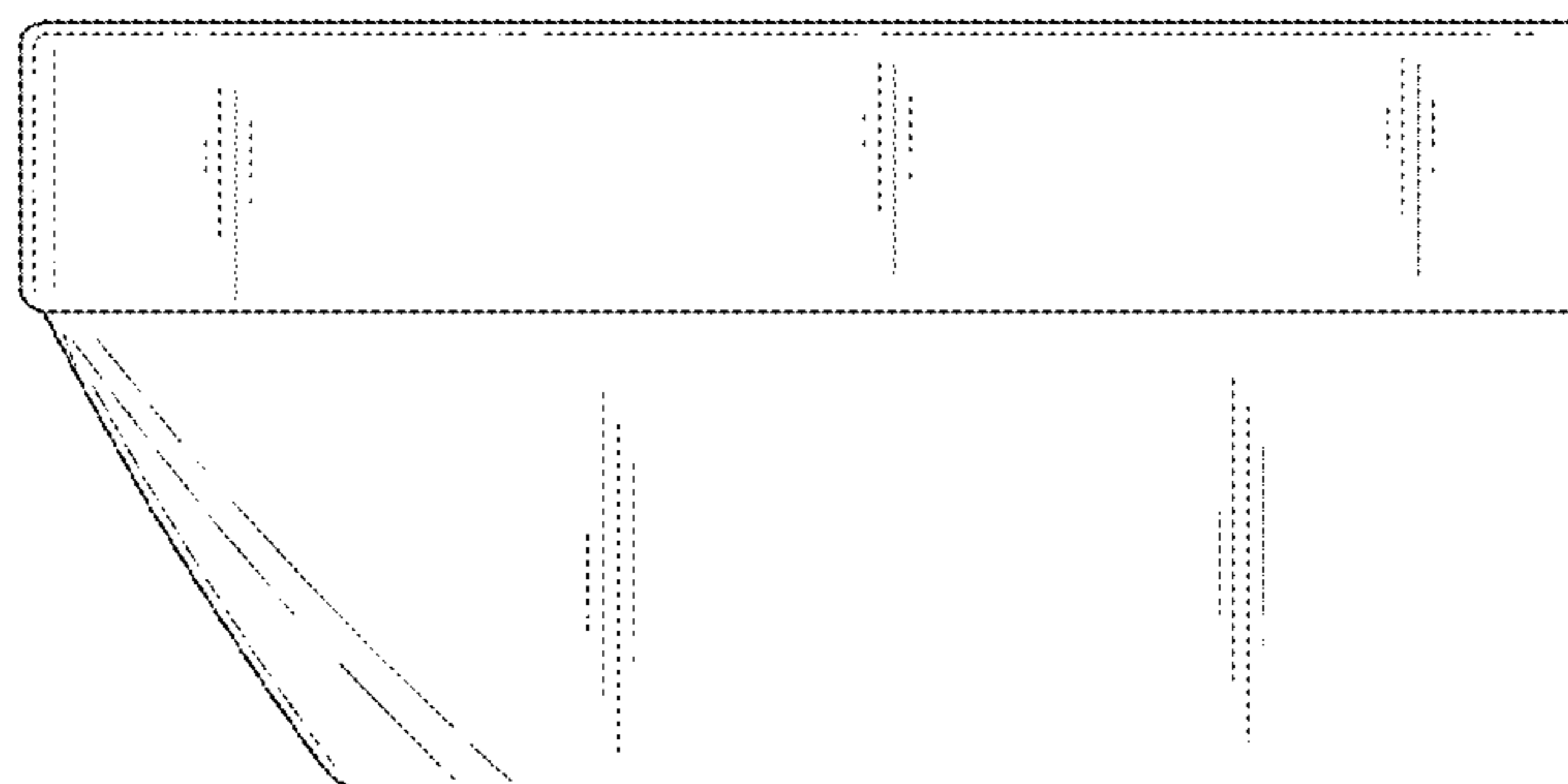


FIG. 14