



US00D853535S

(12) **United States Design Patent** (10) **Patent No.:** **US D853,535 S**  
**Norton et al.** (45) **Date of Patent:** **\*\* Jul. 9, 2019**

(54) **SINGLE BARB HOSE TAIL**  
(71) Applicant: **Goodridge (UK) Ltd.**, Exeter (GB)  
(72) Inventors: **Peter Norton**, Exeter (GB); **Richard Vanstone**, Exeter (GB)  
(73) Assignee: **Goodridge (UK) Ltd.**, Exeter (GB)  
(\*\*) Term: **15 Years**

D396,730 S \* 8/1998 Schaupp ..... D23/259  
D429,627 S \* 8/2000 Gradwell ..... D23/262  
D473,646 S \* 4/2003 Baillargeon ..... D24/129  
D484,593 S \* 12/2003 Baillargeon ..... D24/129  
D503,799 S \* 4/2005 Beck ..... D24/129  
D503,978 S \* 4/2005 Beck ..... D24/129  
D530,796 S \* 10/2006 Zielke ..... D23/262  
D546,946 S \* 7/2007 Blake ..... D24/129  
D602,128 S \* 10/2009 Williams ..... D23/262  
D709,187 S \* 7/2014 Li ..... A61M 39/00  
D24/129  
2010/0244438 A1 \* 9/2010 Johanson ..... F16L 33/24  
285/148.21  
2011/0239674 A1 \* 10/2011 Defilippi ..... B60H 1/00571  
62/244  
2017/0241579 A1 \* 8/2017 Birkholz ..... F16L 33/2071  
2018/0172192 A1 \* 6/2018 Doh ..... F16L 37/08

(21) Appl. No.: **29/552,179**  
(22) Filed: **Jan. 20, 2016**

(30) **Foreign Application Priority Data**  
Jul. 20, 2015 (EM) ..... 002740001  
(51) **LOC (11) Cl.** ..... **23-01**  
(52) **U.S. Cl.**  
USPC ..... **D23/266**  
(58) **Field of Classification Search**  
USPC ..... D23/233, 235, 248, 249, 258, 259, 260,  
D23/262, 266; D8/385; D12/180  
CPC ..... F16L 33/00; F16L 33/227; F16L 33/28;  
F16L 33/30; F16L 33/32; F16L 33/20;  
F16L 33/207; F16L 33/2071; F16L  
33/2073  
See application file for complete search history.

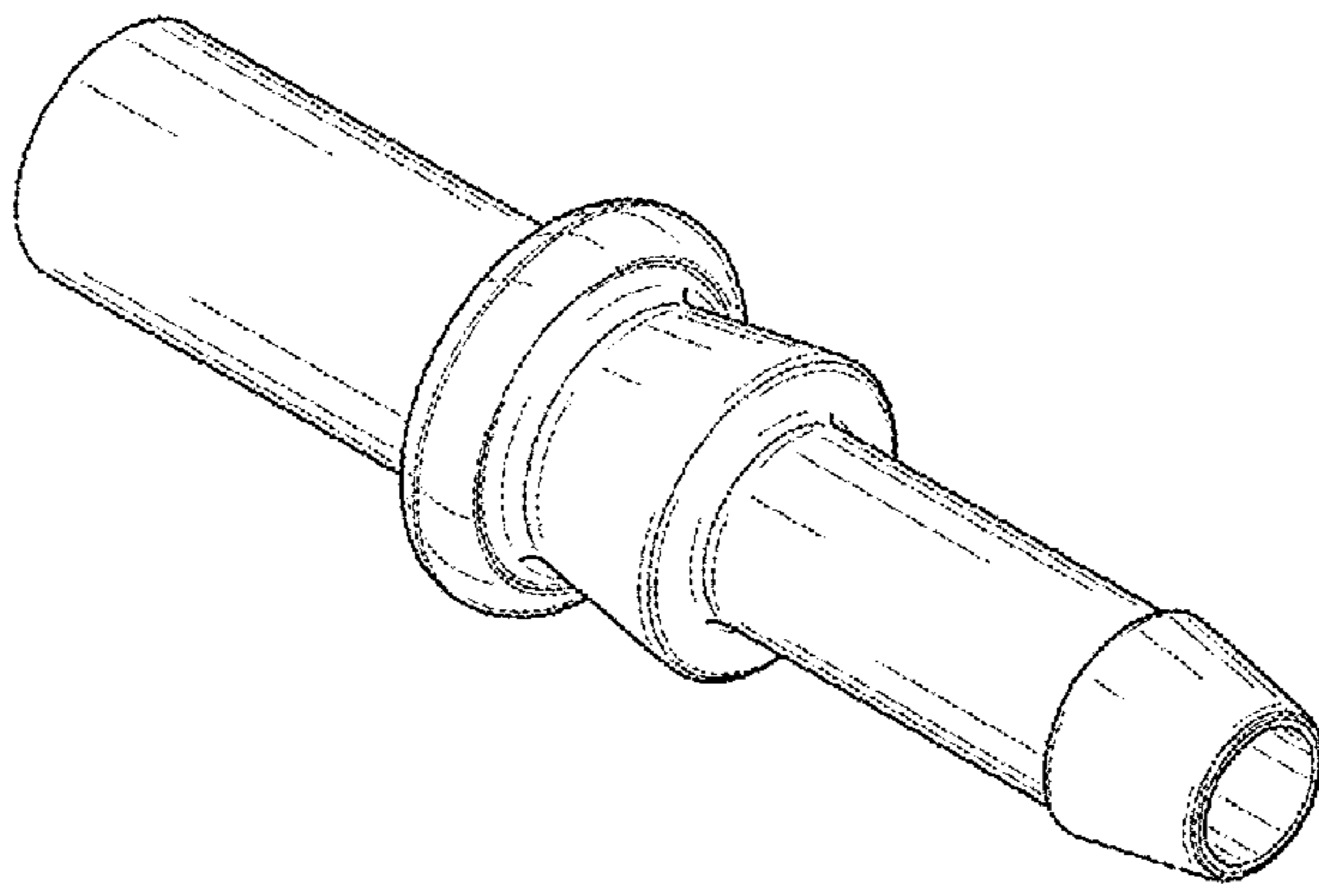
\* cited by examiner  
*Primary Examiner* — Sandra S Snapp  
*Assistant Examiner* — Ieisha N Price  
(74) *Attorney, Agent, or Firm* — Honigman LLP

(56) **References Cited**  
U.S. PATENT DOCUMENTS  
3,367,681 A \* 2/1968 Braukman ..... F16L 27/0816  
285/148.13  
D235,342 S \* 6/1975 Otto ..... D23/260  
D387,147 S \* 12/1997 Vandermast ..... D23/262  
5,711,553 A \* 1/1998 Bonser ..... F16L 37/0985  
285/319

(57) **CLAIM**  
The ornamental design for a single barb hose tail, as shown and described.

**DESCRIPTION**  
FIG. 1 is a front/left side isometric view of the embodiment of the present invention;  
FIG. 2 is a front elevational view of FIG. 1;  
FIG. 3 is a rear elevational view of FIG. 1;  
FIG. 4 is a left side elevational view of FIG. 1;  
FIG. 5 is a right side elevational view of FIG. 1;  
FIG. 6 is a top view of FIG. 1; and,  
FIG. 7 is a bottom view of FIG. 1.  
The broken lines in the drawings illustrate portions of the single barb hose tail and form no part of the claimed design.

**1 Claim, 4 Drawing Sheets**



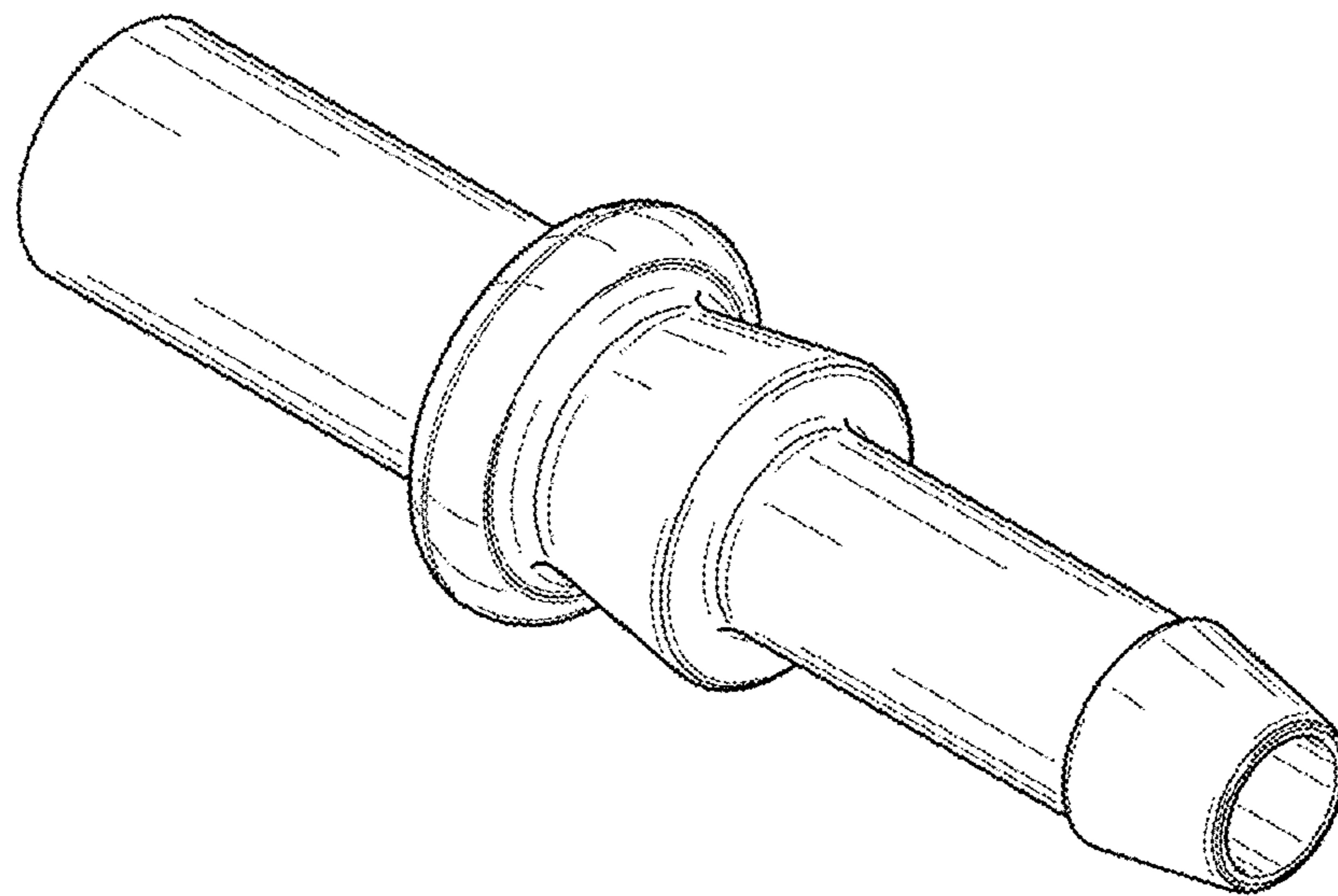


FIG. 1

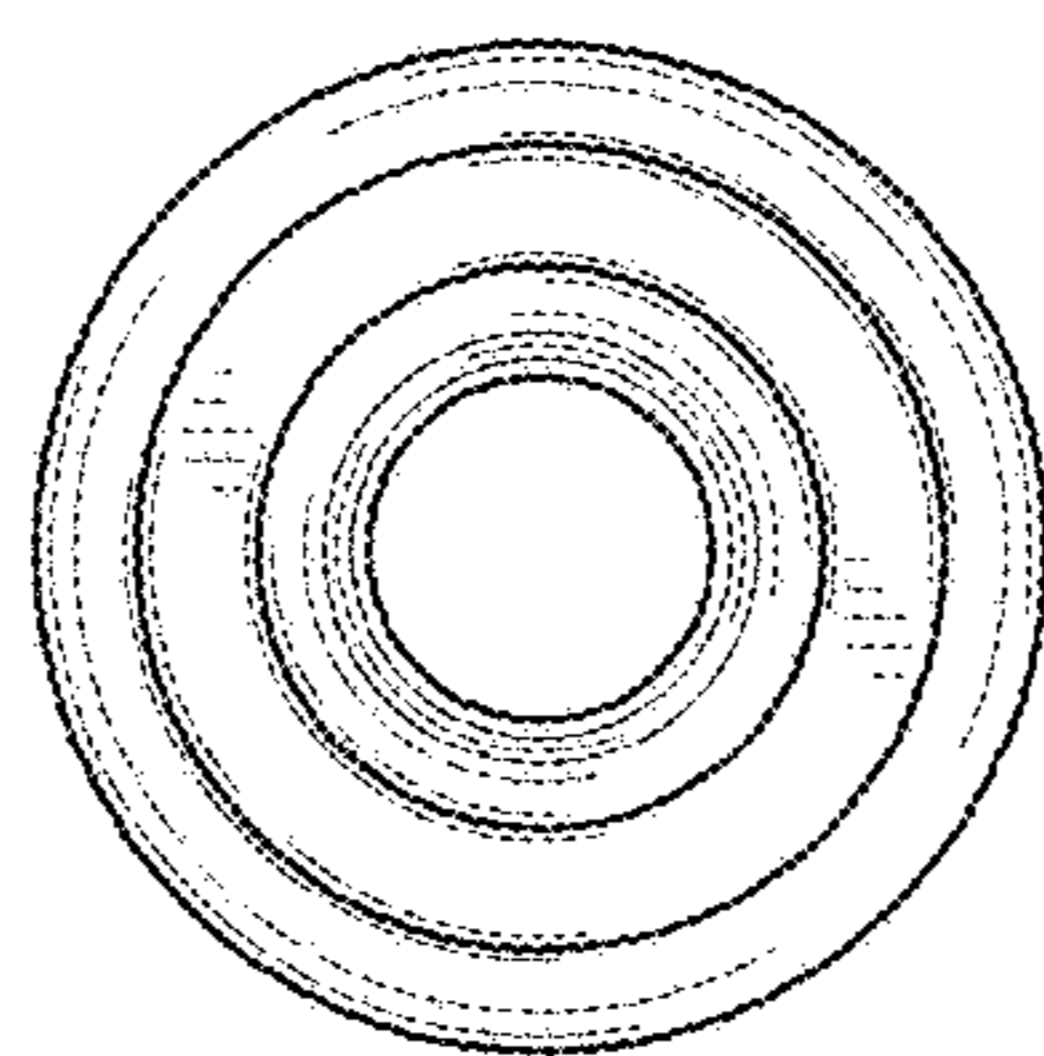


FIG. 2

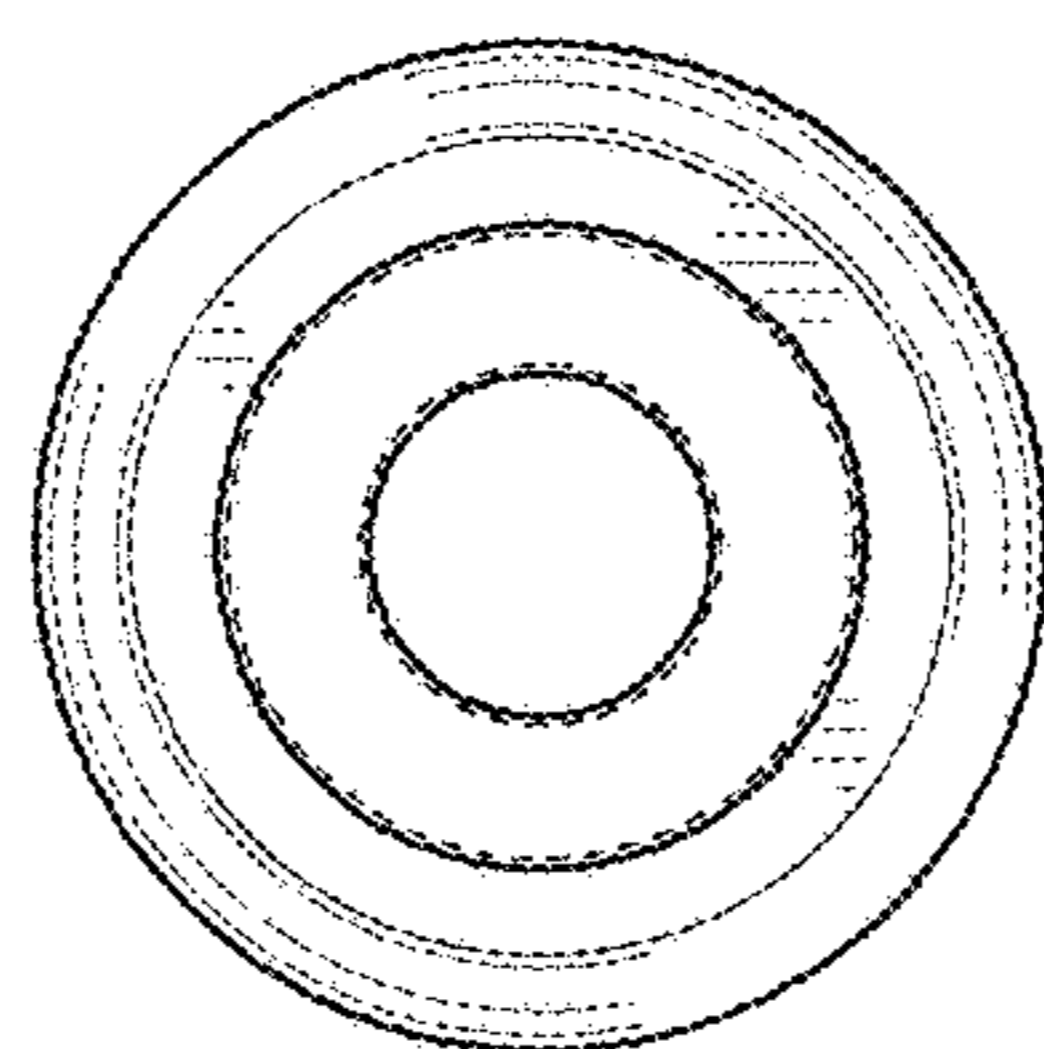


FIG. 3

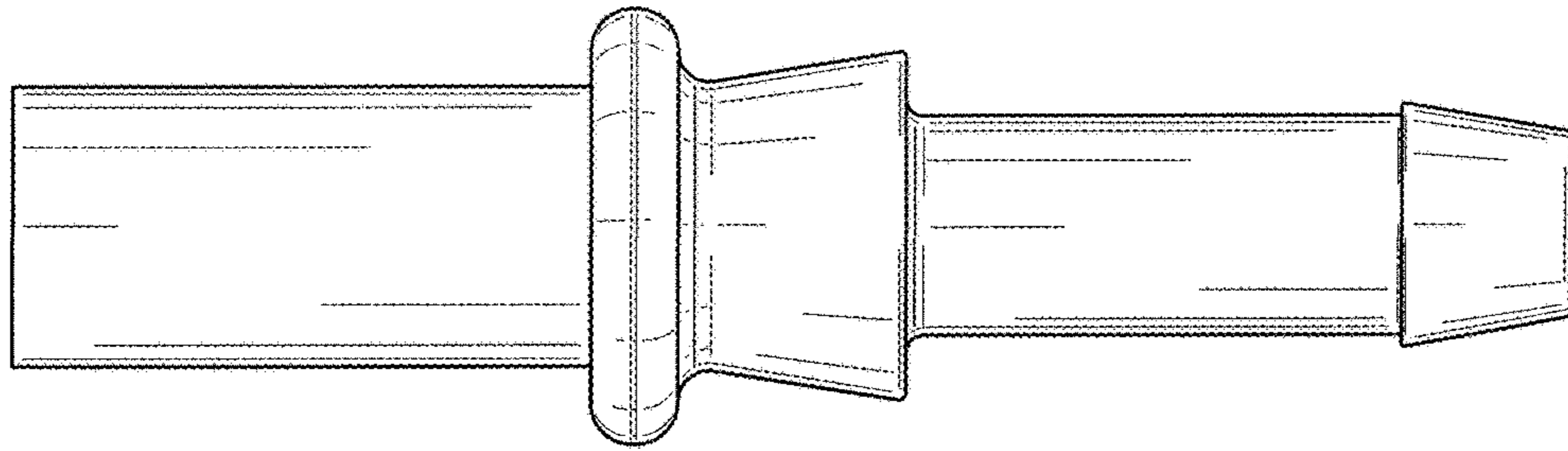


FIG. 4

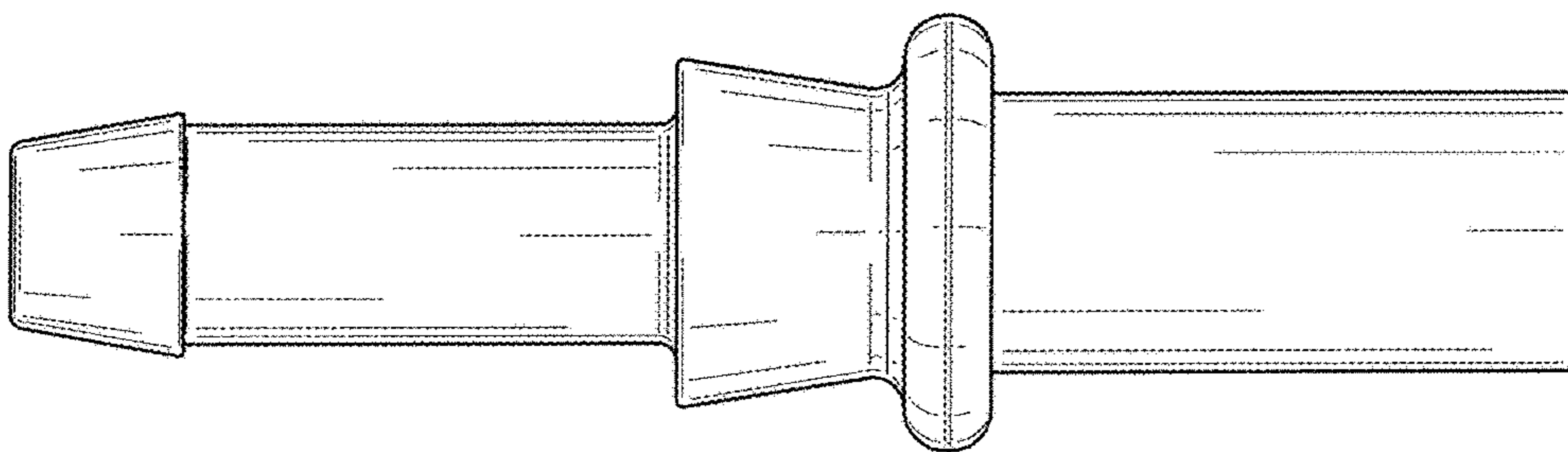
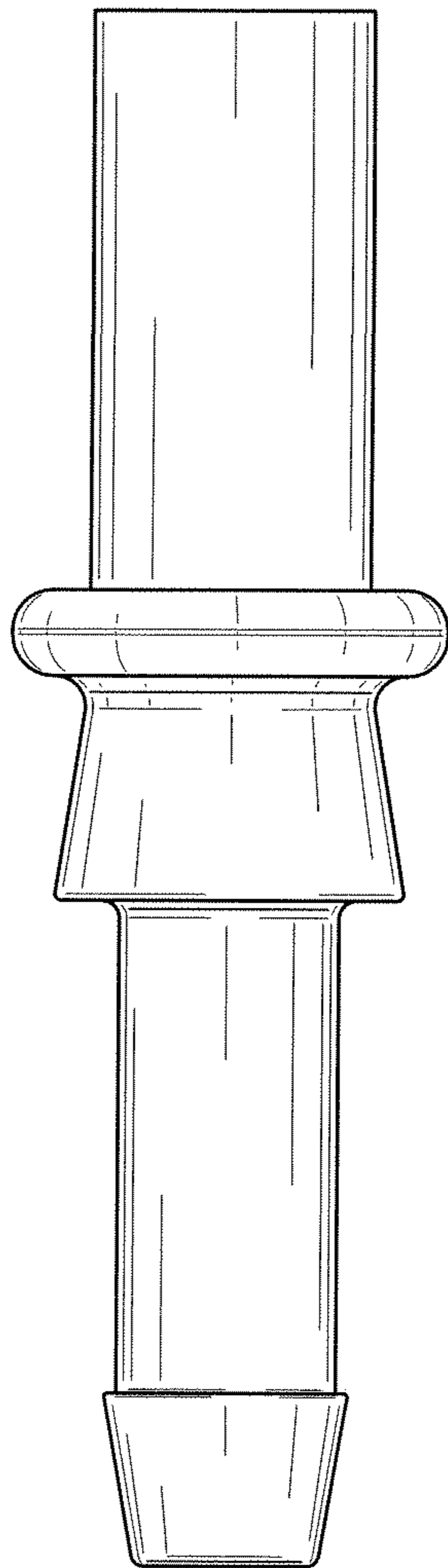
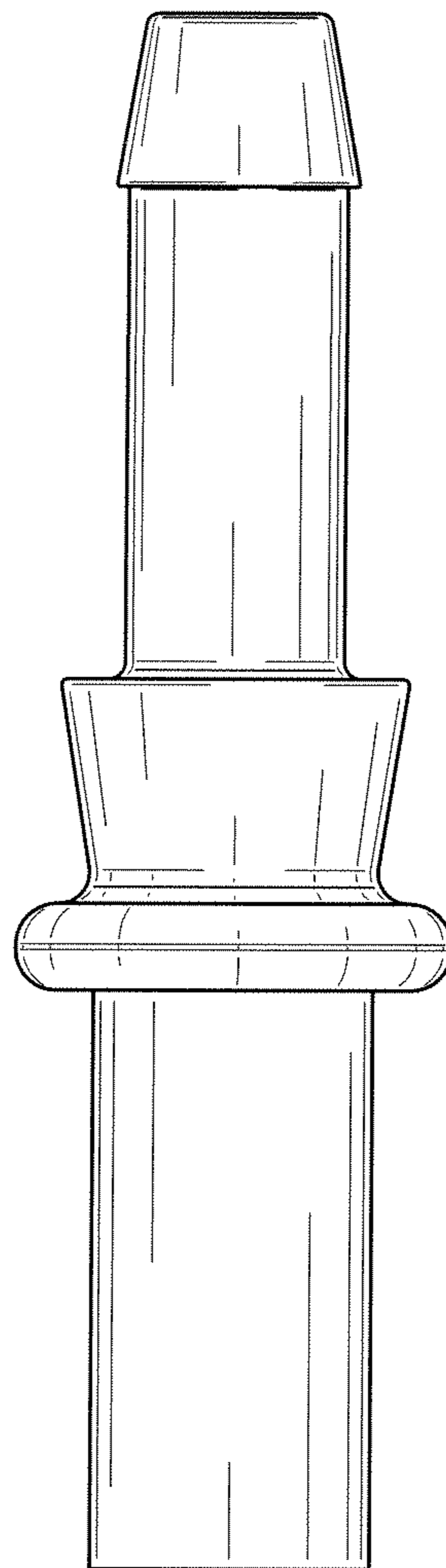


FIG. 5



*FIG. 6*



*FIG. 7*