



US00D853534S

(12) **United States Design Patent**
Helton

(10) **Patent No.:** **US D853,534 S**
(45) **Date of Patent:** **** Jul. 9, 2019**

- (54) **DRAIN STRAINER**
- (71) Applicant: **Hyunjoo Helton**, Winnetka, CA (US)
- (72) Inventor: **Hyunjoo Helton**, Winnetka, CA (US)
- (**) Term: **15 Years**
- (21) Appl. No.: **29/678,776**
- (22) Filed: **Jan. 31, 2019**

- D605,733 S 12/2009 Cavalieri
- D621,009 S * 8/2010 Mjelde D23/261
- D629,875 S 12/2010 Sears
- 8,281,427 B2 * 10/2012 Afshar E04H 4/1236
4/504
- D670,363 S * 11/2012 Yousufzai D23/261
- D673,246 S * 12/2012 Lee D23/260
- D691,245 S 10/2013 Ho
- D700,299 S 2/2014 Mjelde
- D702,326 S 4/2014 Dannrup
- D702,327 S 4/2014 Dannrup
- D718,844 S 12/2014 Johansen
- D730,493 S 5/2015 Sehl
- D746,417 S 12/2015 Guterman

(Continued)

Related U.S. Application Data

- (63) Continuation-in-part of application No. 62/792,389, filed on Jan. 14, 2019.
- (51) **LOC (11) Cl.** **23-01**
- (52) **U.S. Cl.**
USPC **D23/261**
- (58) **Field of Classification Search**
USPC D23/259–260, 261, 209, 310; 4/178,
4/222.1, 255.01–255.12, 256.1, 286–289,
4/290–295, 309, 490, 507, 652
CPC A47K 1/14
See application file for complete search history.

Primary Examiner — Eric L Goodman
Assistant Examiner — Amy C Wierenga
 (74) *Attorney, Agent, or Firm* — Quickpatents, LLC;
 Kevin Prince

(57) **CLAIM**

The ornamental design for a drain strainer, as shown and described.

DESCRIPTION

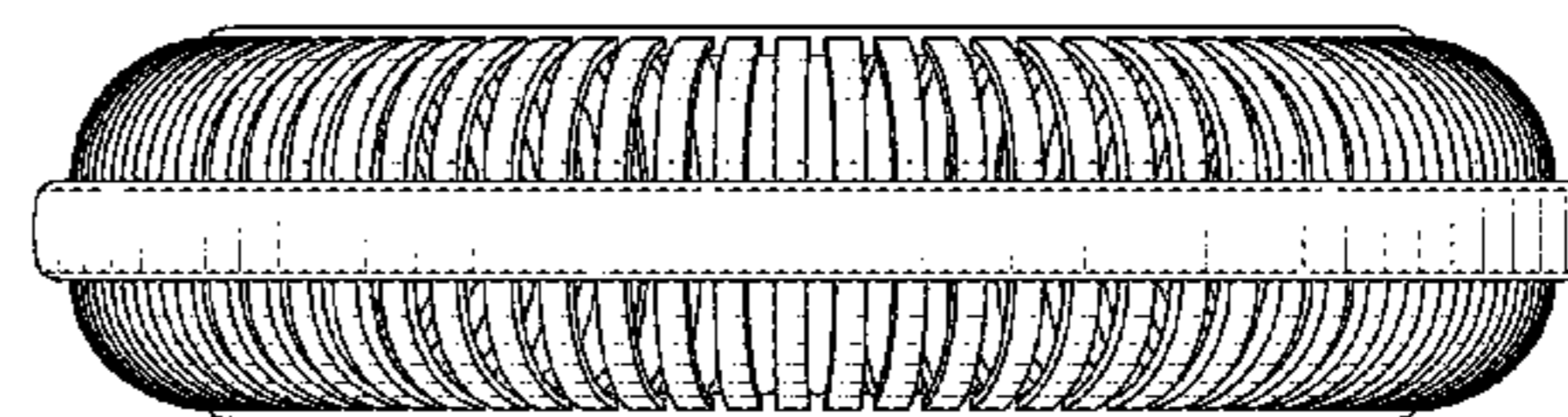
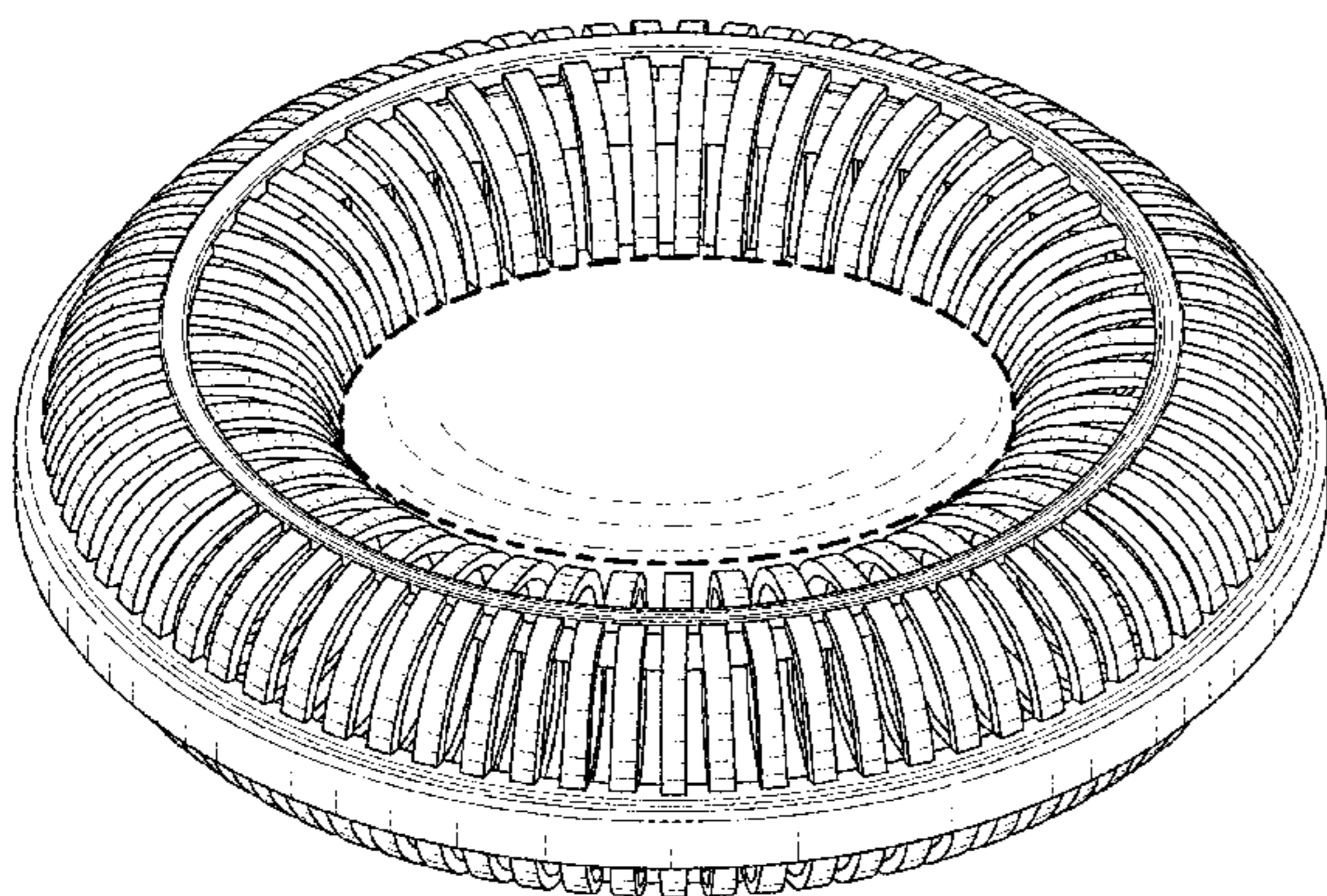
FIG. 1 is a perspective view of a drain strainer shown in a position of use, showing my new design;
 FIG. 2 is another perspective view of a drain strainer thereof;
 FIG. 3 is a top plan view thereof, the bottom plan view being a mirror image thereof;
 FIG. 4 is a front elevational view thereof;
 FIG. 5 is a cross-sectional view taken from line 5-5 of FIG. 3 thereof;
 FIG. 6 is a rear elevational view thereof;
 FIG. 7 is a left-side elevational view thereof; and,
 FIG. 8 is a right-side elevational view thereof.
 The broken lines showing a bathtub drain in FIGS. 1 and 2 depict environmental matter and form no part of the claimed design.

(56) **References Cited**

U.S. PATENT DOCUMENTS

- 2,690,569 A 10/1954 Kozerski
- D183,609 S * 9/1958 Higgins D23/260
- 3,972,078 A 8/1976 Maki
- 4,418,432 A 12/1983 Vidal
- 4,490,862 A 1/1985 Vidal
- D299,522 S 1/1989 Chalberg
- D351,898 S 10/1994 Stowers
- 6,487,729 B2 12/2002 Delanzo
- 7,178,179 B2 * 2/2007 Barnes A61H 33/6073
4/292
- D550,819 S 9/2007 Sehoff
- D576,714 S 9/2008 Florence
- D604,809 S 11/2009 Mannella

1 Claim, 6 Drawing Sheets



(56)

References Cited

U.S. PATENT DOCUMENTS

D754,829	S	4/2016	Krombein	
D784,771	S	4/2017	Goodman	
D785,767	S	5/2017	Karnegie	
D792,562	S	7/2017	Ali	
D794,759	S	8/2017	Karnegie	
D803,992	S	11/2017	Huber	
D814,611	S	4/2018	Karnegie	
D827,787	S	9/2018	Karnegie	
D827,788	S	9/2018	Karnegie	
D828,523	S	9/2018	Karnegie	
D829,306	S	9/2018	Ikedo	
D831,171	S	10/2018	Schluter	
D832,406	S	10/2018	Huber	
D832,407	S	10/2018	Karnegie	
D832,408	S	10/2018	St-Antoine	
D833,584	S	11/2018	Levi	
D834,685	S	11/2018	Gerger	
2006/0015997	A1	1/2006	Barnes	
2008/0307573	A1	12/2008	Ho	
2010/0005581	A1*	1/2010	McAlpine E03C 1/262 4/291
2012/0012510	A1*	1/2012	Ventura E03C 1/264 210/164
2012/0047643	A1*	3/2012	Meyers E03C 1/264 4/292
2013/0152298	A1*	6/2013	Lyristakis E04H 4/06 4/507
2018/0274218	A1	9/2018	Karnegie	

* cited by examiner

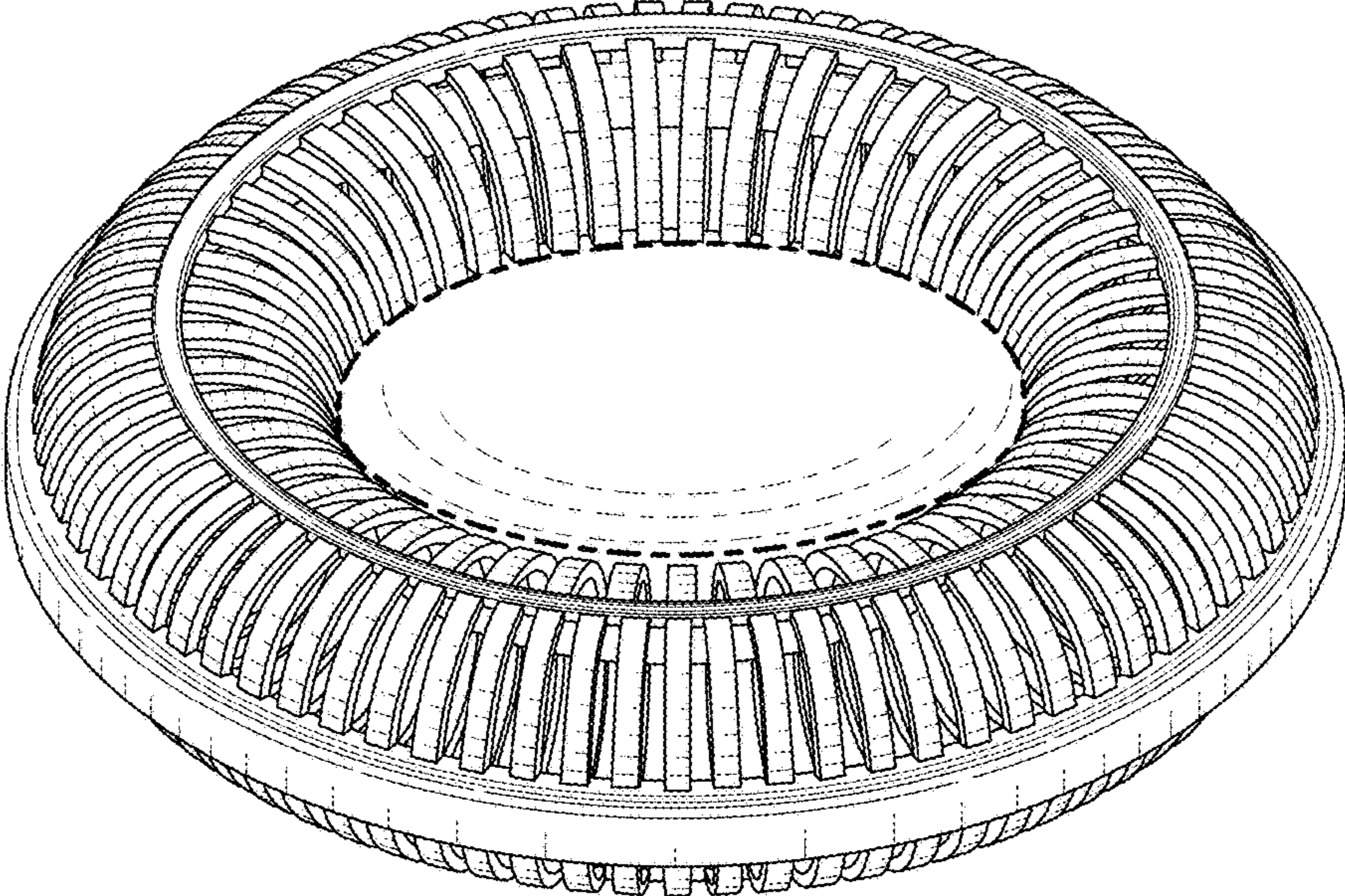


FIG. 1

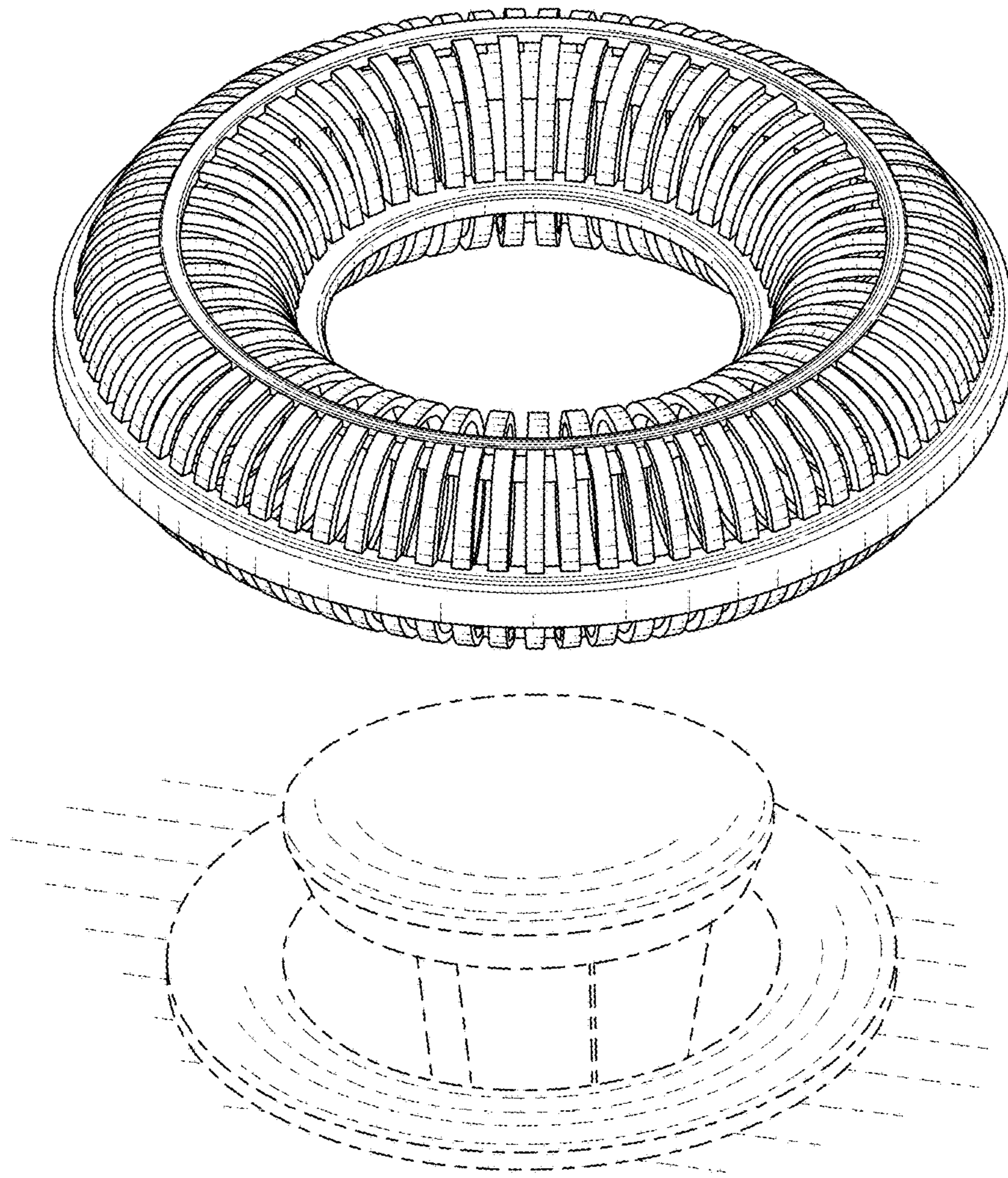


FIG. 2

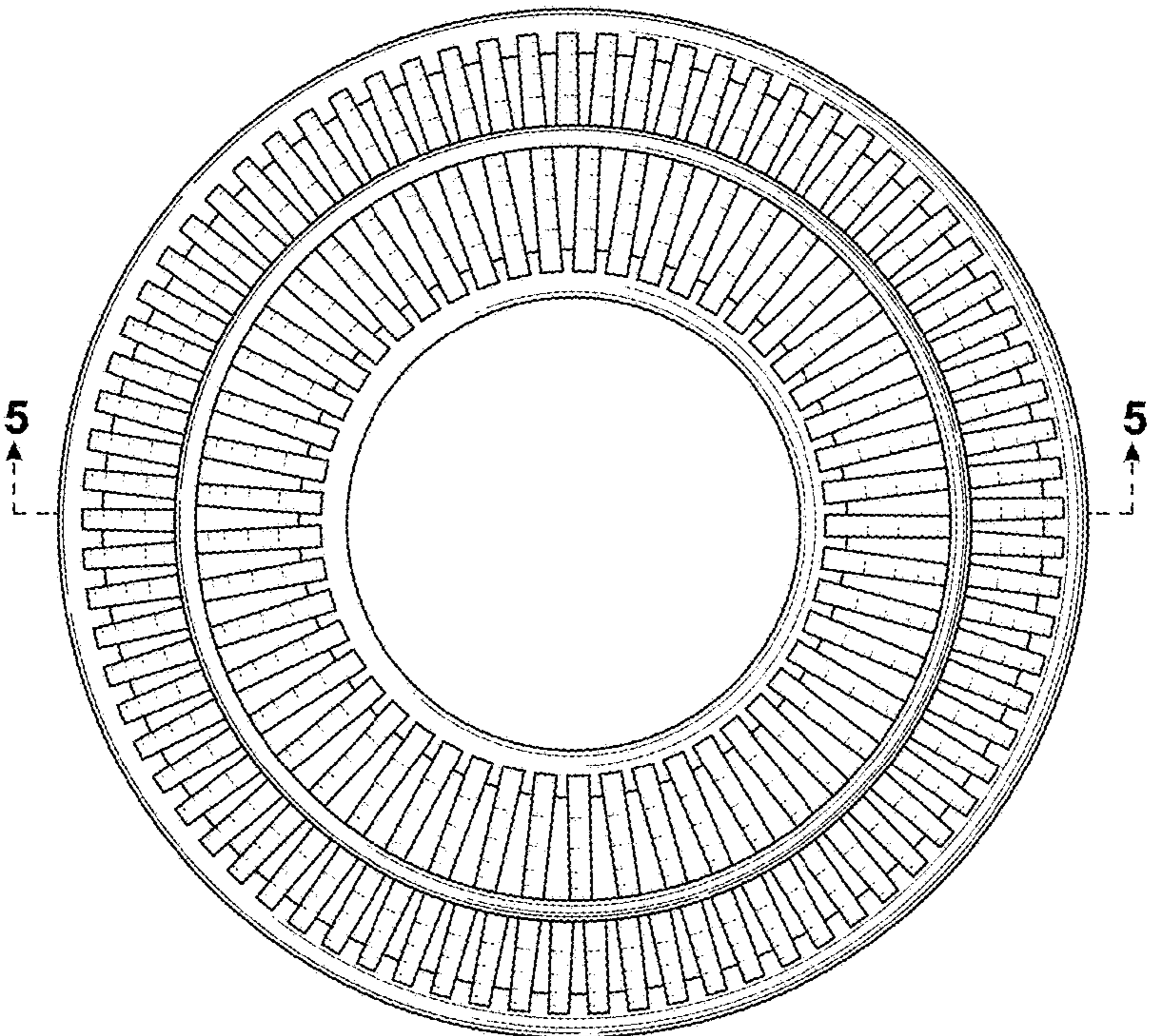


FIG. 3

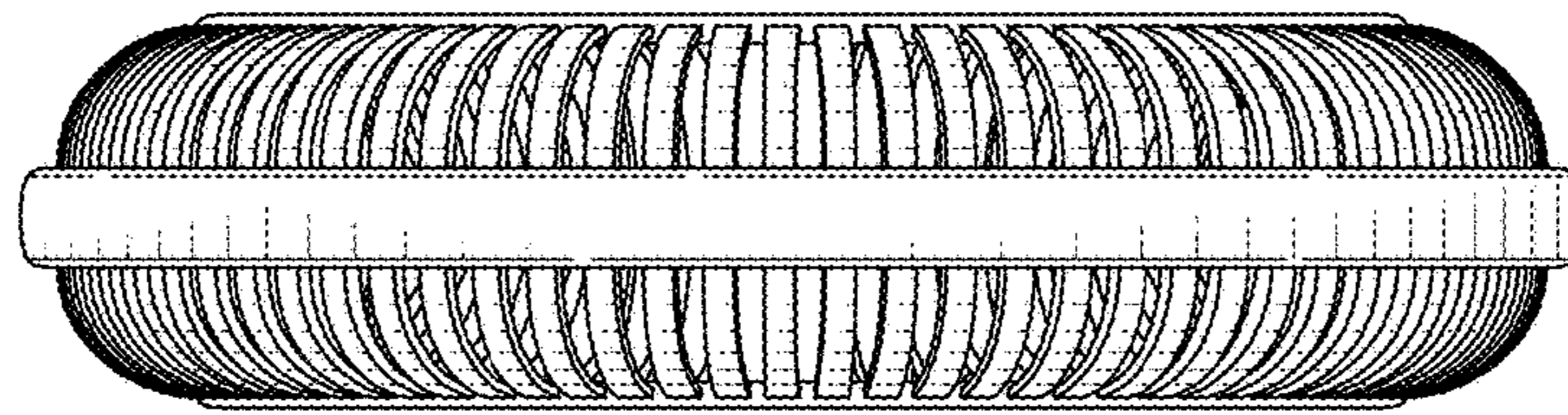


FIG. 4

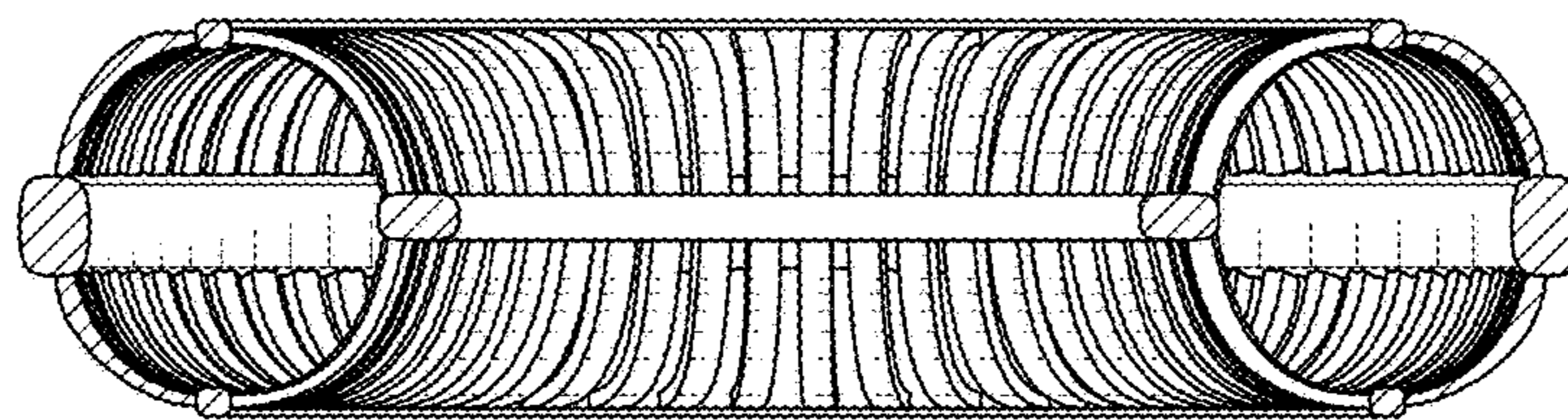


FIG. 5

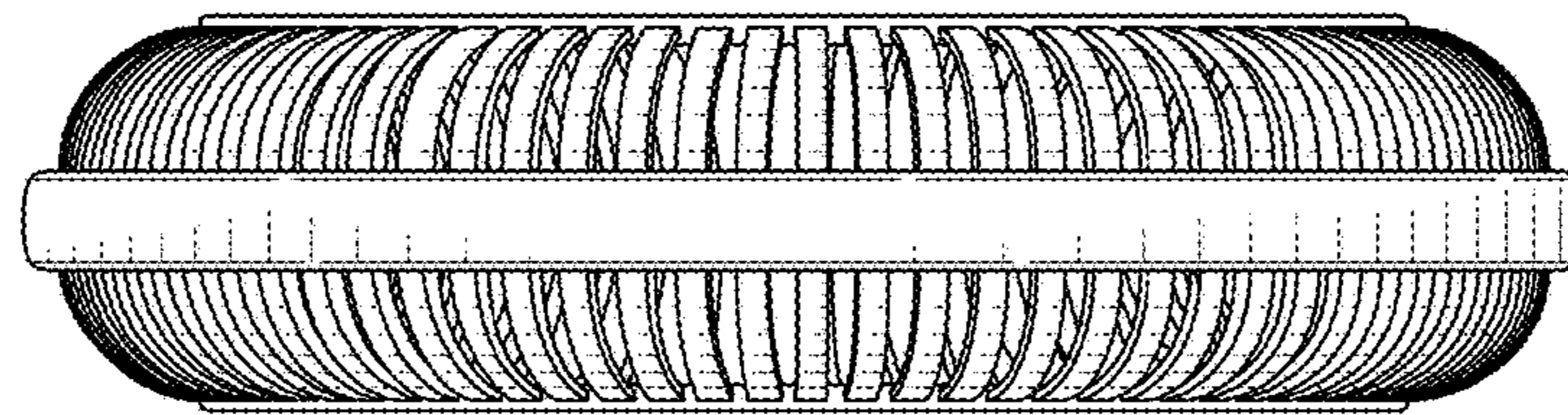


FIG. 6

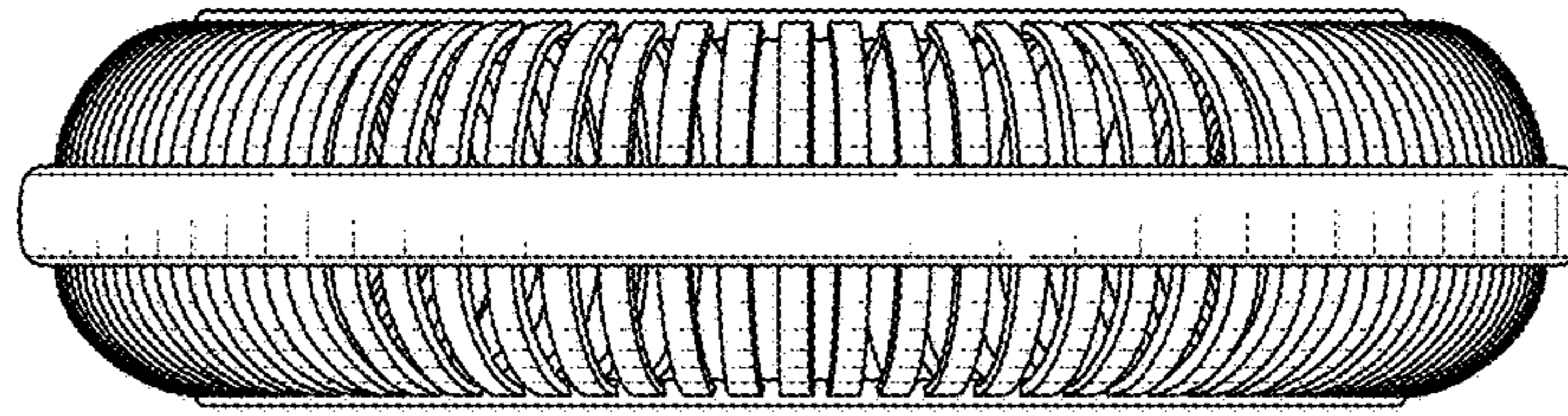


FIG. 7

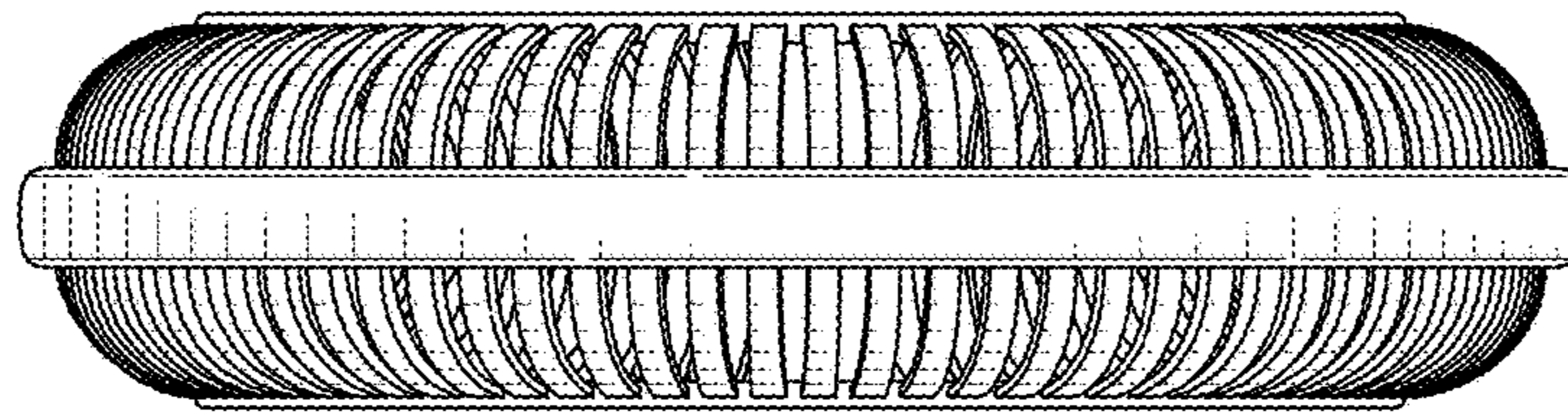


FIG. 8