



US00D853531S

(12) **United States Design Patent**  
**Feng et al.**

(10) **Patent No.:** **US D853,531 S**  
(45) **Date of Patent:** **\*\* Jul. 9, 2019**

- (54) **FAUCET VALVE BODY**
- (71) Applicant: **NINGBO TEXOON BRASSWORKS CO., LTD.**, Ningbo, Zhejiang (CN)
- (72) Inventors: **Zhenhua Feng**, Zhejiang (CN);  
**Xizhong Wang**, Zhejiang (CN)
- (73) Assignee: **NINGBO TEXOON BRASSWORKS CO., LTD.**, Ningbo, Zhejiang (CN)
- (\*\*) Term: **15 Years**
- (21) Appl. No.: **29/616,913**
- (22) Filed: **Sep. 10, 2017**
- (51) **LOC (11) Cl.** ..... **23-01**
- (52) **U.S. Cl.**  
USPC ..... **D23/249**
- (58) **Field of Classification Search**  
USPC ..... D23/233–250, 269; 251/174, 315.16,  
251/315.19, 314, 283, 315.14;  
137/315.19, 328  
CPC . F16K 1/42; F16K 3/0227; F16K 1/36; F16K  
3/243; F16K 5/0663  
See application file for complete search history.

- 7,243,900 B2 \* 7/2007 Wang ..... F16K 5/0689  
251/174
- 8,864,105 B2 \* 10/2014 Xu ..... F16K 5/204  
251/314
- 9,920,843 B2 \* 3/2018 Lildholdt ..... F16K 5/0689

\* cited by examiner

*Primary Examiner* — Cynthia Ramirez

*Assistant Examiner* — Gino Colan

(74) *Attorney, Agent, or Firm* — Raymond Y. Chan;  
David and Raymond Patent Firm

(57) **CLAIM**

The ornamental design for a faucet valve body, as shown and described.

**DESCRIPTION**

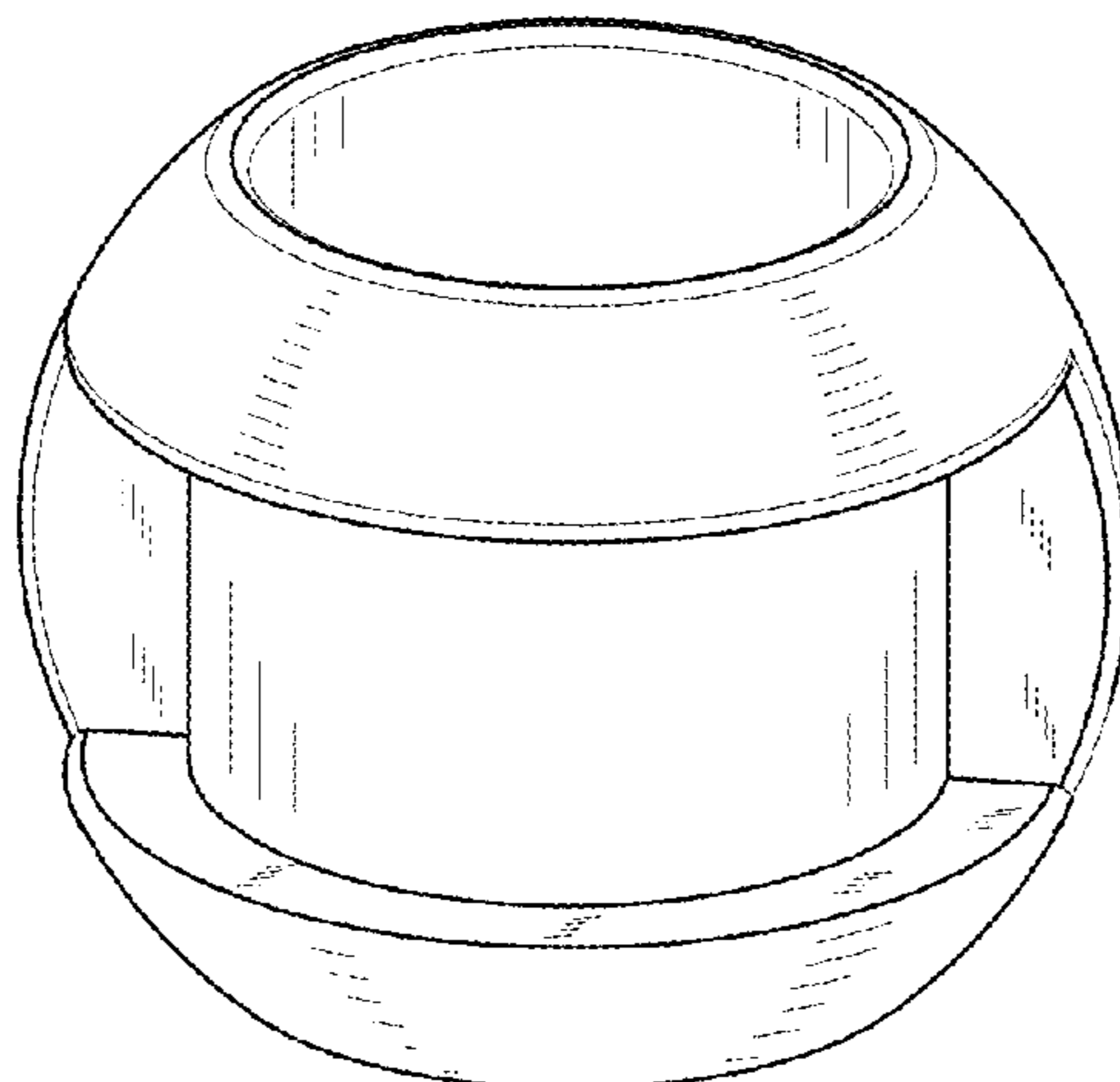
FIG. 1 is a perspective view of a faucet valve body showing our new design;  
 FIG. 2 is a front perspective view thereof;  
 FIG. 3 is a front view thereof;  
 FIG. 4 is a rear view thereof;  
 FIG. 5 is a left side view thereof;  
 FIG. 6 is a right side view thereof;  
 FIG. 7 is a top view thereof;  
 FIG. 8 is a bottom view thereof;  
 FIG. 9 is top perspective view illustrating the faucet valve body in one position within a faucet shown in broken lines; and,  
 FIG. 10 is another top perspective view illustrating the faucet valve body in another position within a faucet shown in broken lines.  
 The broken lines within the faucet valve body shown in broken lines are for the purpose of illustration portions of the faucet valve body and form no part of the claimed design. The faucet shown in broken lines in FIGS. 9 and 10 are for the purpose of illustrating environment and form no part of the claimed design.

(56) **References Cited**

U.S. PATENT DOCUMENTS

- 3,472,270 A \* 10/1969 Masheder ..... F16K 5/0631  
137/315.19
- 3,689,027 A \* 9/1972 Grenier ..... B21D 51/08  
251/315.16
- 4,126,295 A \* 11/1978 Natalizia ..... F16K 5/0668  
251/174
- 4,556,197 A \* 12/1985 Kindersley ..... F16K 5/20  
251/315.14
- 4,685,488 A \* 8/1987 Corbin ..... F16K 5/201  
137/328
- 6,173,940 B1 \* 1/2001 Kardohely ..... F16K 5/0605  
251/283
- D460,527 S \* 7/2002 Frezzella ..... D23/249

**1 Claim, 10 Drawing Sheets**



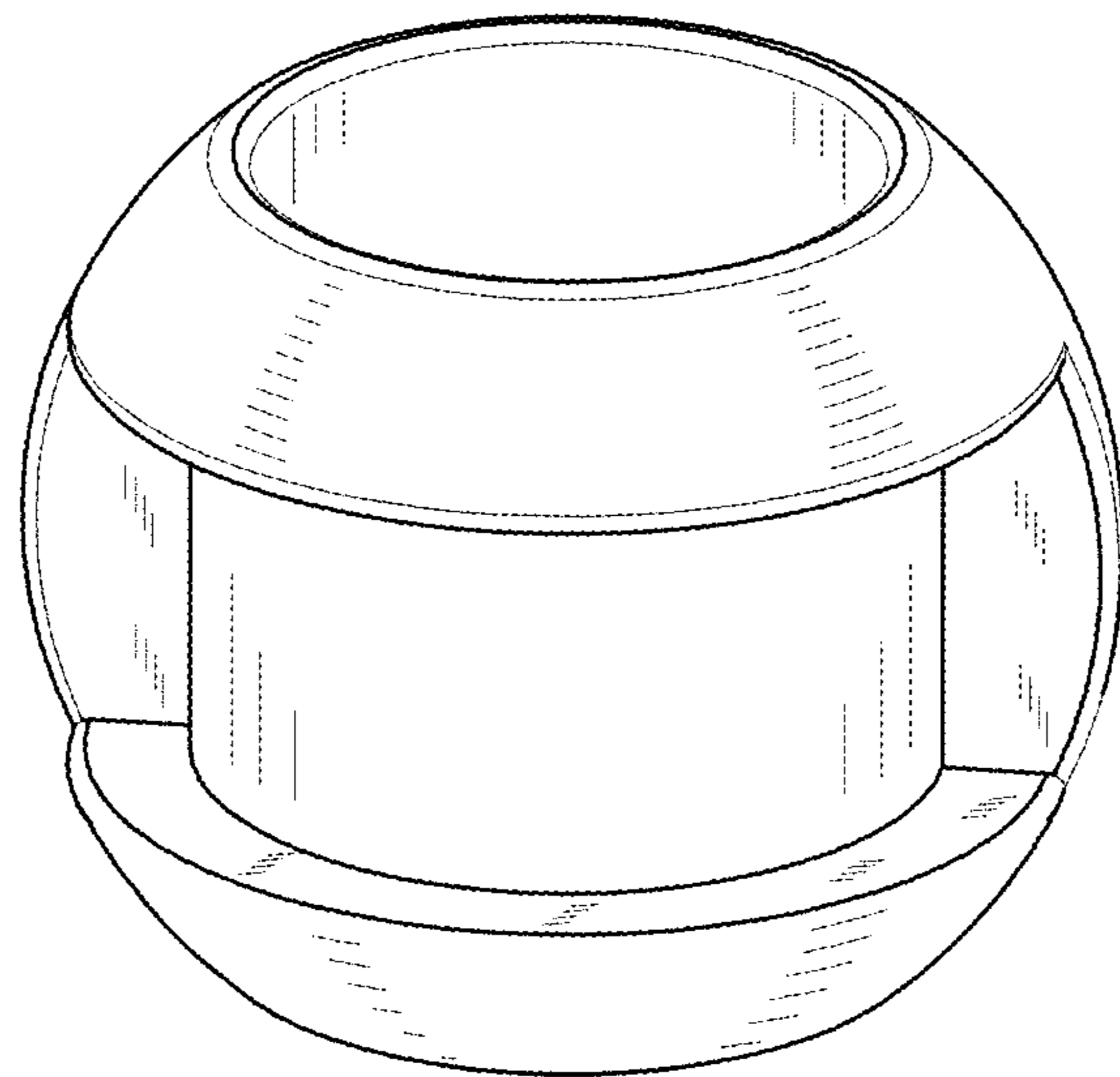


FIG.1

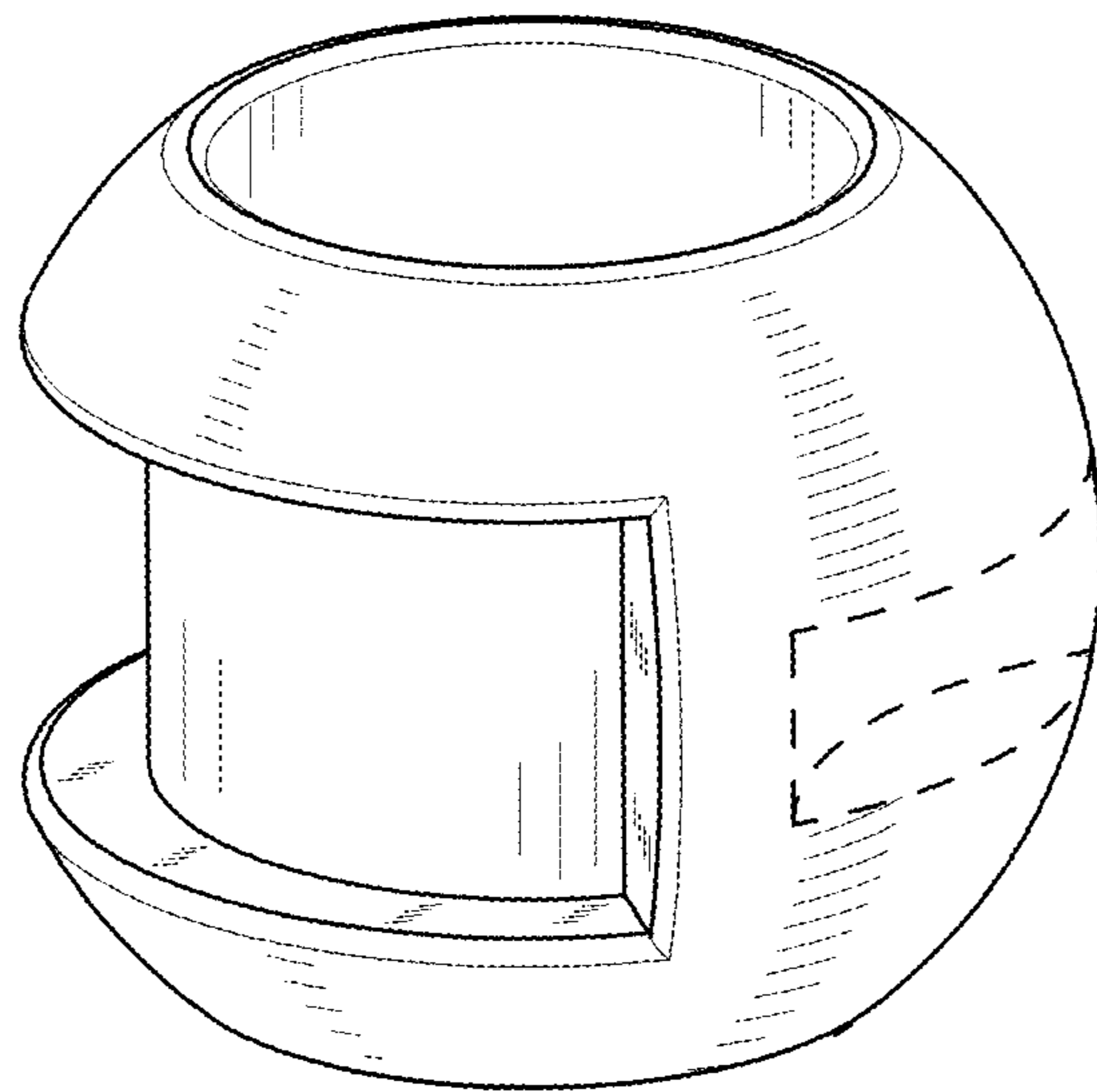


FIG.2

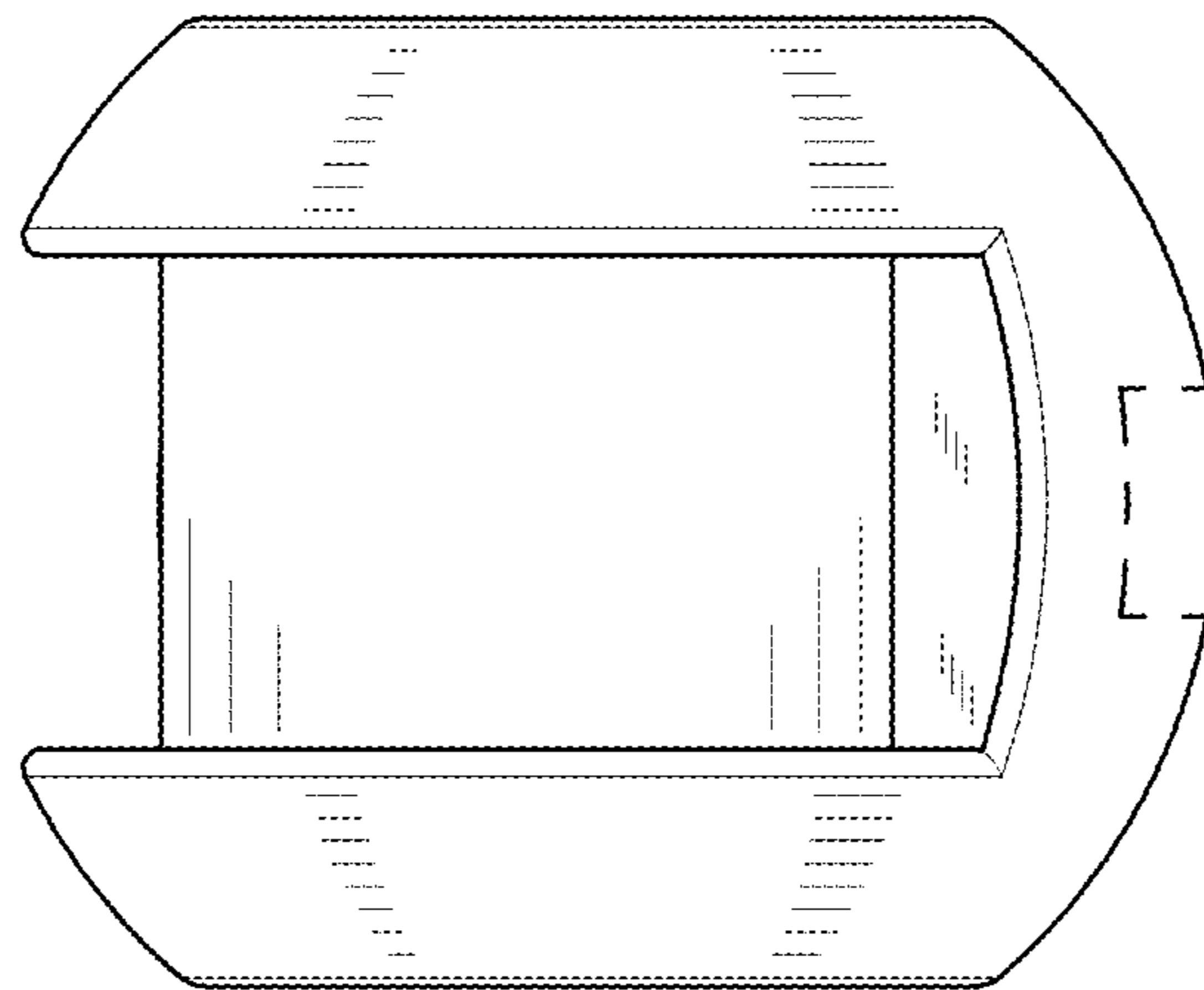


FIG.3

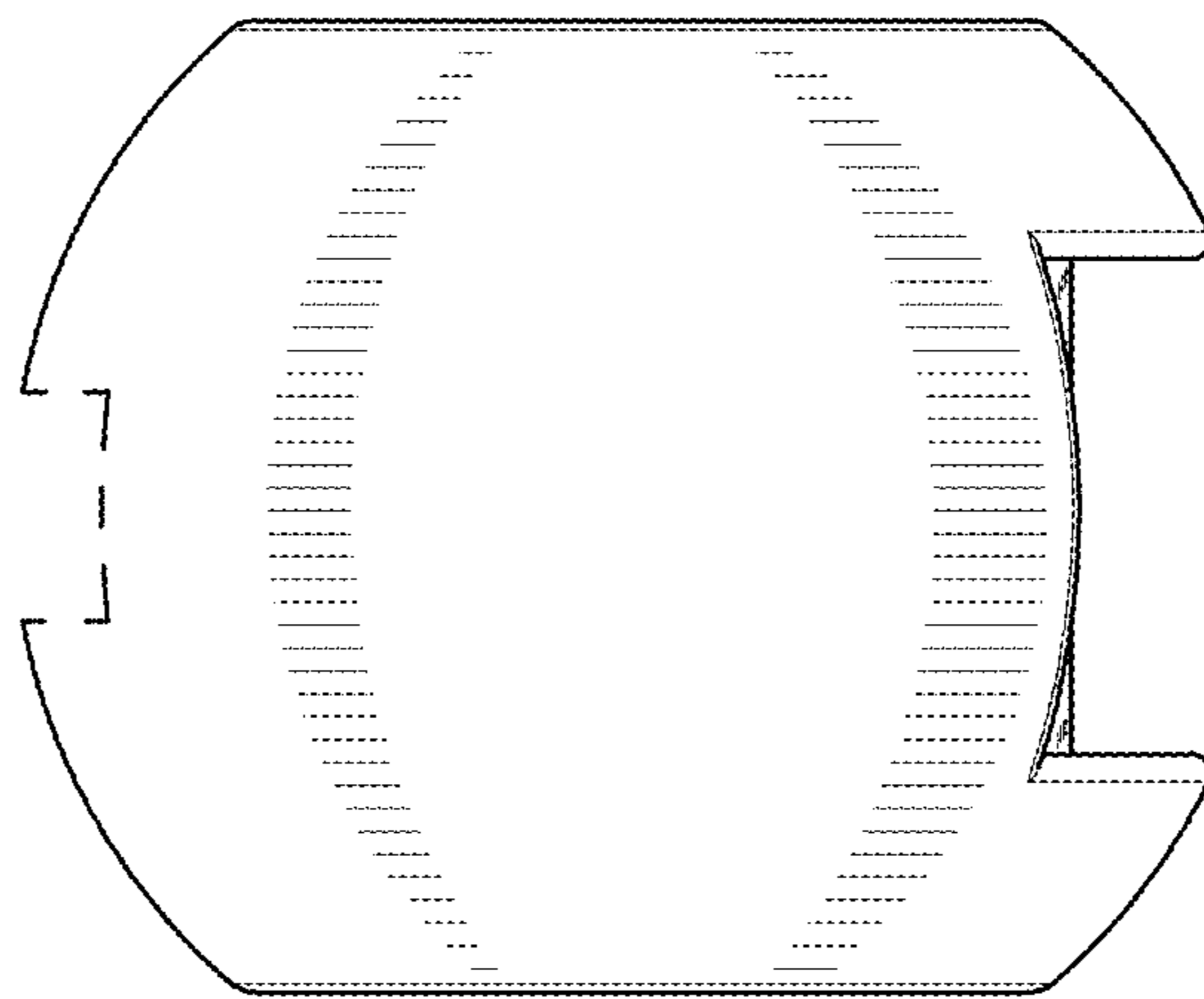


FIG.4

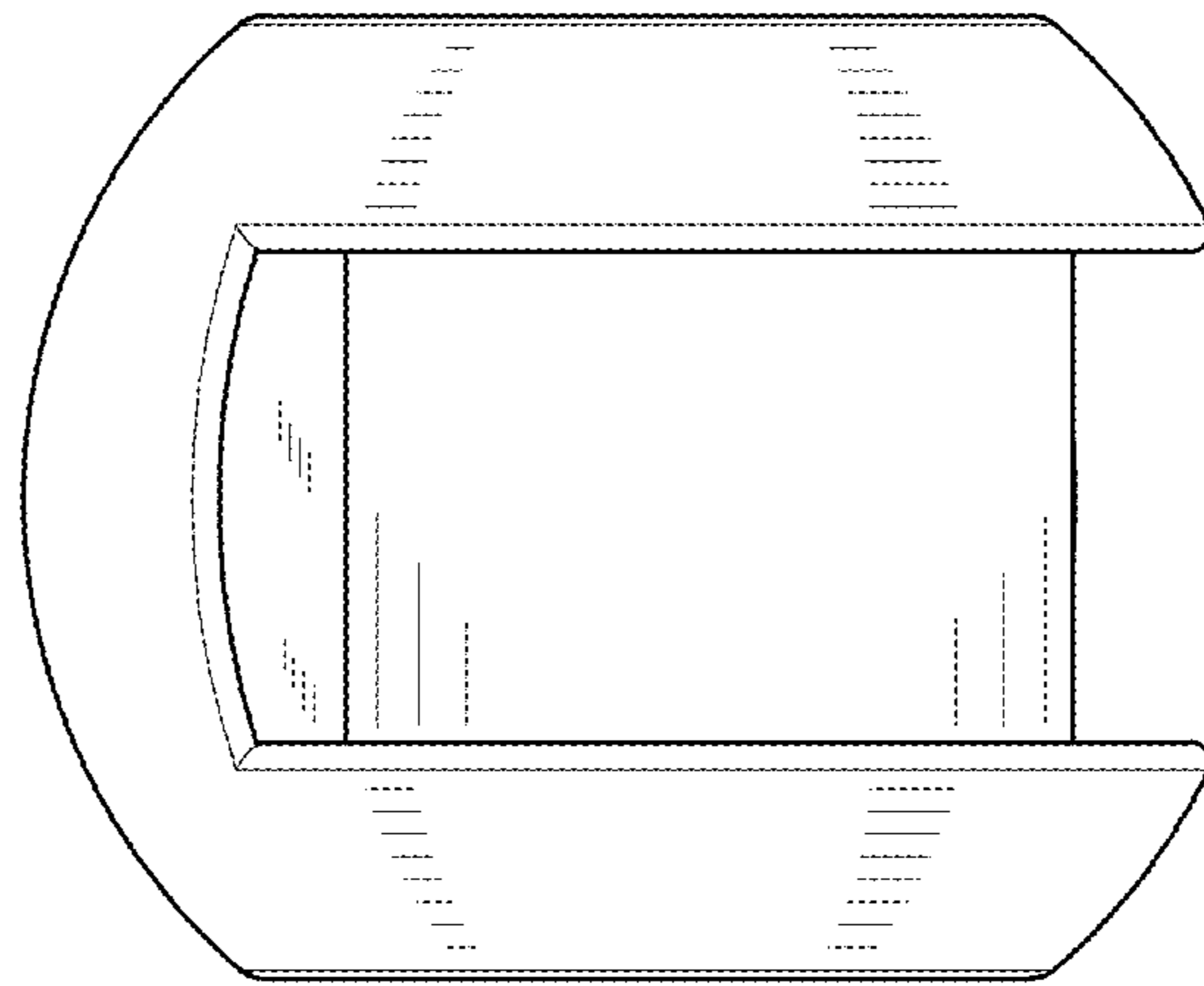


FIG.5

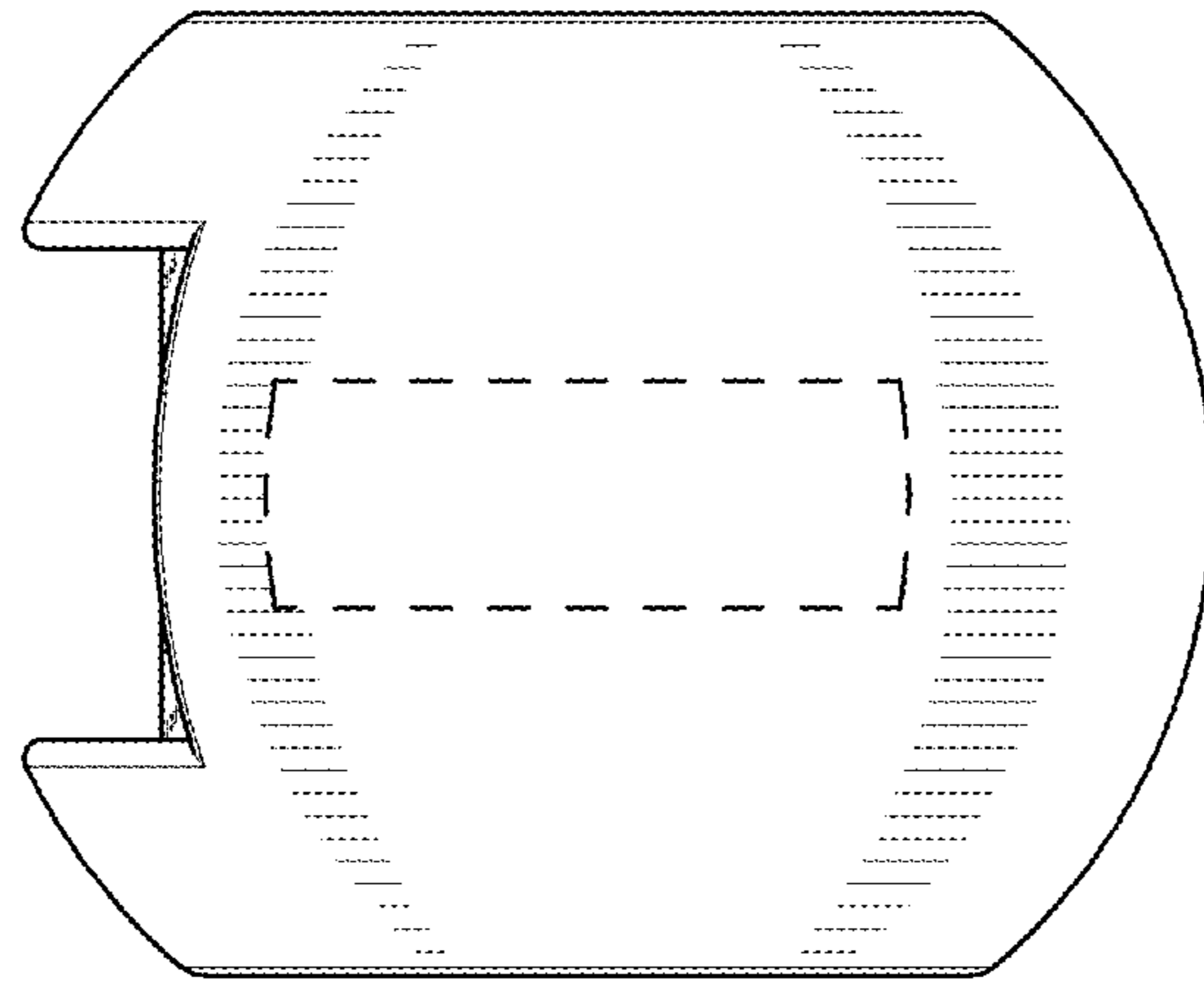


FIG.6

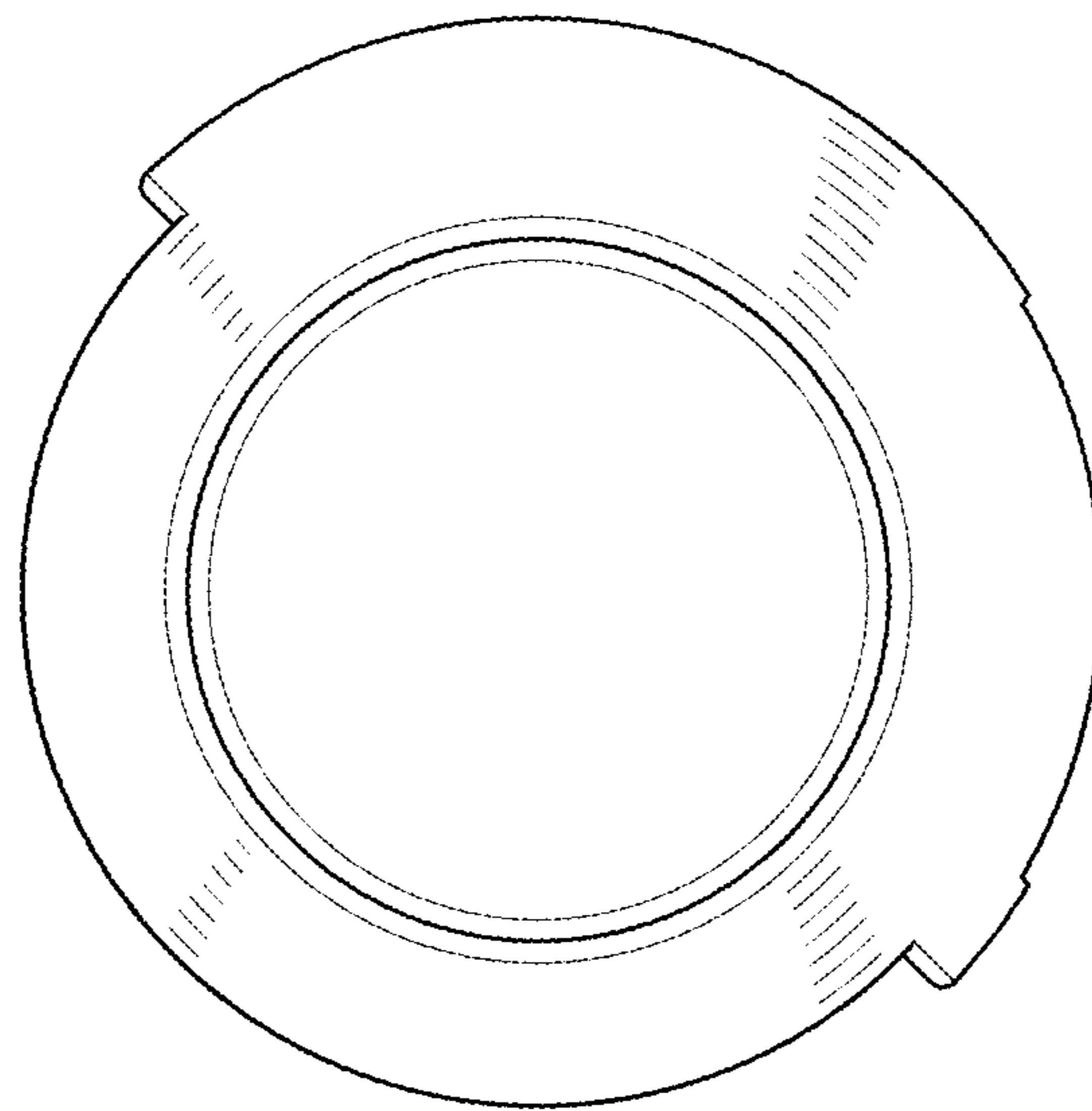


FIG.7



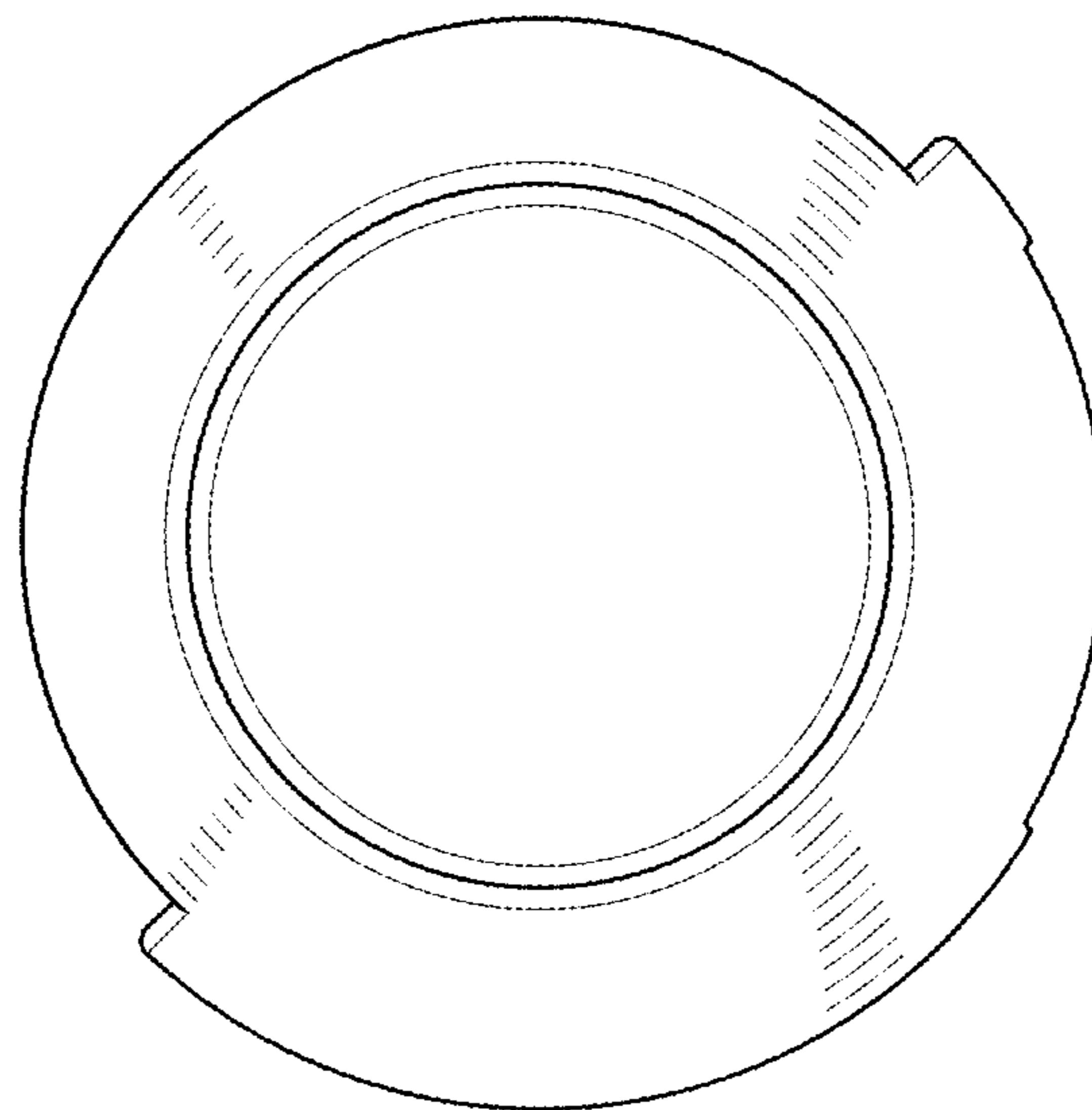


FIG.8

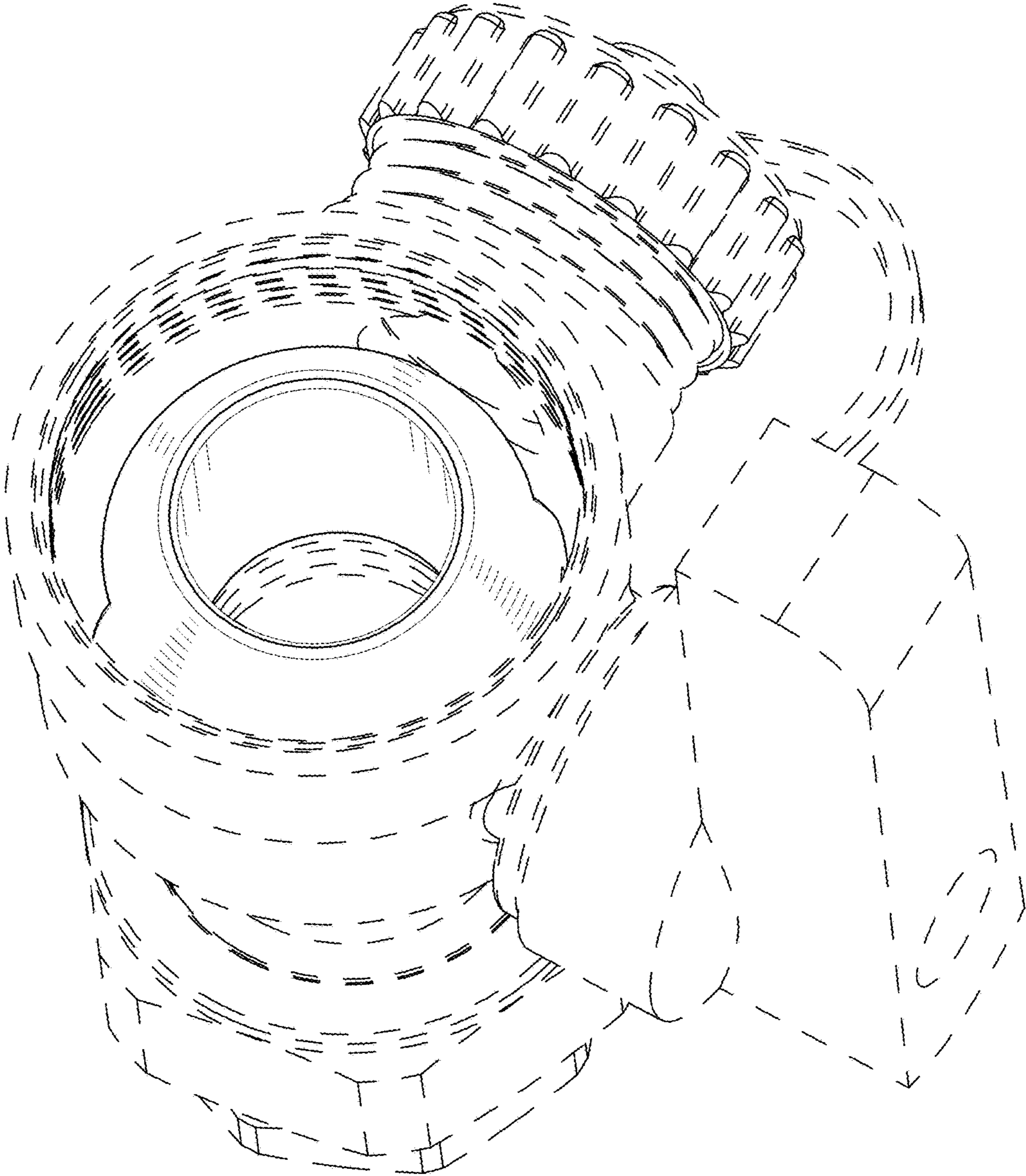


FIG.9

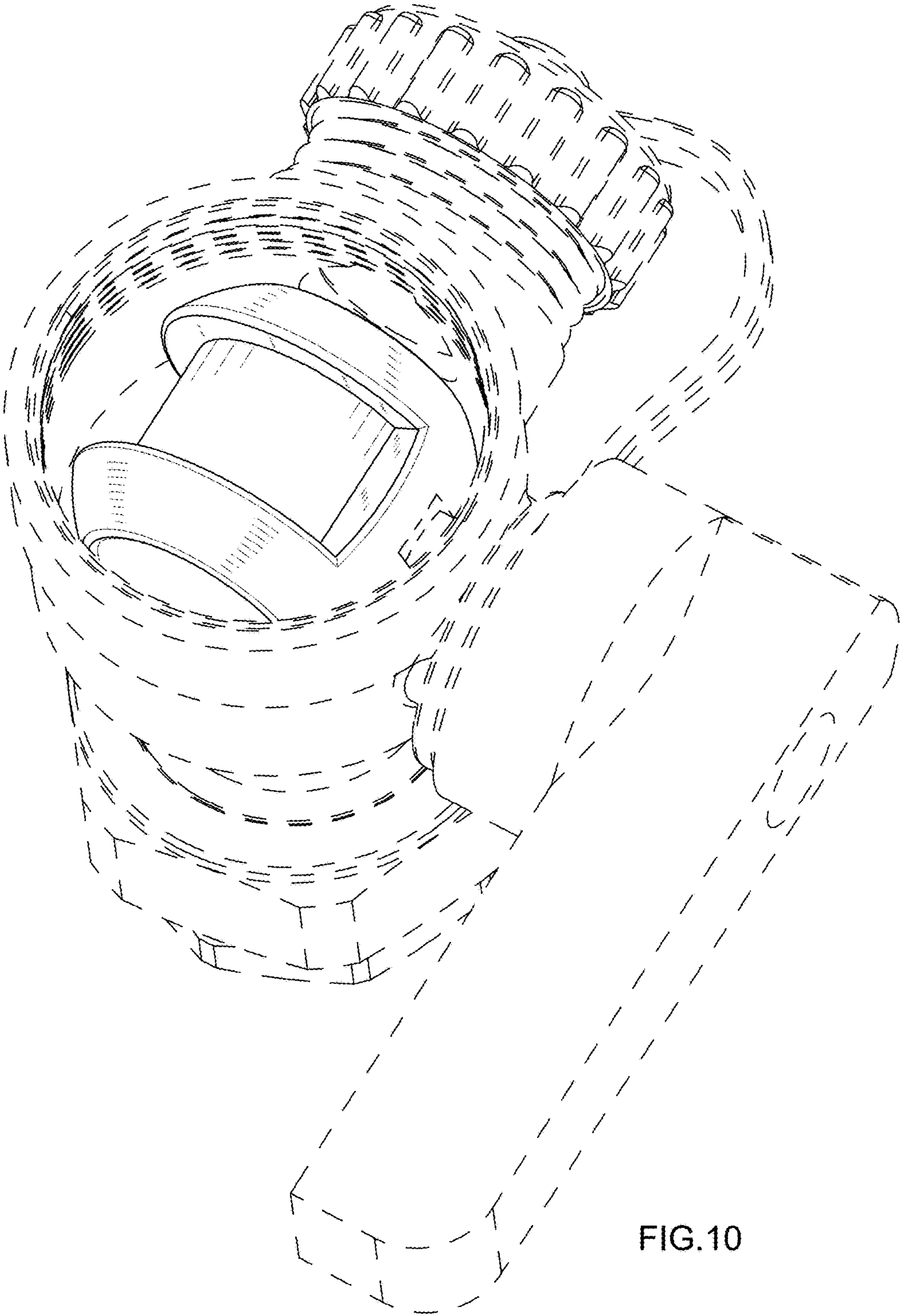


FIG.10