



US00D853530S

(12) **United States Design Patent**  
**Eads**

(10) **Patent No.:** **US D853,530 S**

(45) **Date of Patent:** **\*\* Jul. 9, 2019**

(54) **FAUCET**

(71) Applicant: **DELTA FAUCET COMPANY,**  
Indianapolis, IN (US)

(72) Inventor: **Thad Eads,** Urbana, IN (US)

(73) Assignee: **DELTA FAUCET COMPANY,**  
Indianapolis, IN (US)

(\*\*) Term: **15 Years**

(21) Appl. No.: **29/637,978**

(22) Filed: **Feb. 23, 2018**

(51) **LOC (11) Cl.** ..... **23-01**

(52) **U.S. Cl.**  
USPC ..... **D23/242**

(58) **Field of Classification Search**  
USPC ..... D23/238-243, 249, 250, 252, 254, 255,  
D23/257, 213, 223, 226, 229; D08/308  
CPC ..... Y10T 137/9464  
See application file for complete search history.

(56) **References Cited**

**U.S. PATENT DOCUMENTS**

D390,921 S \* 2/1998 Steffes ..... D23/250  
D430,649 S \* 9/2000 Milrud ..... D23/241

D686,300 S \* 7/2013 Fritz ..... D23/238  
D747,442 S \* 1/2016 Mazz ..... D23/238  
D810,889 S \* 2/2018 Bahler ..... D23/255  
D828,508 S \* 9/2018 Fritz ..... D23/238  
D828,519 S \* 9/2018 Garland ..... D23/254  
D835,239 S \* 12/2018 Ziemann ..... D23/242

\* cited by examiner

*Primary Examiner* — Robert A Delehanty

(74) *Attorney, Agent, or Firm* — Edgar A. Zarins; Nirav D. Parikh

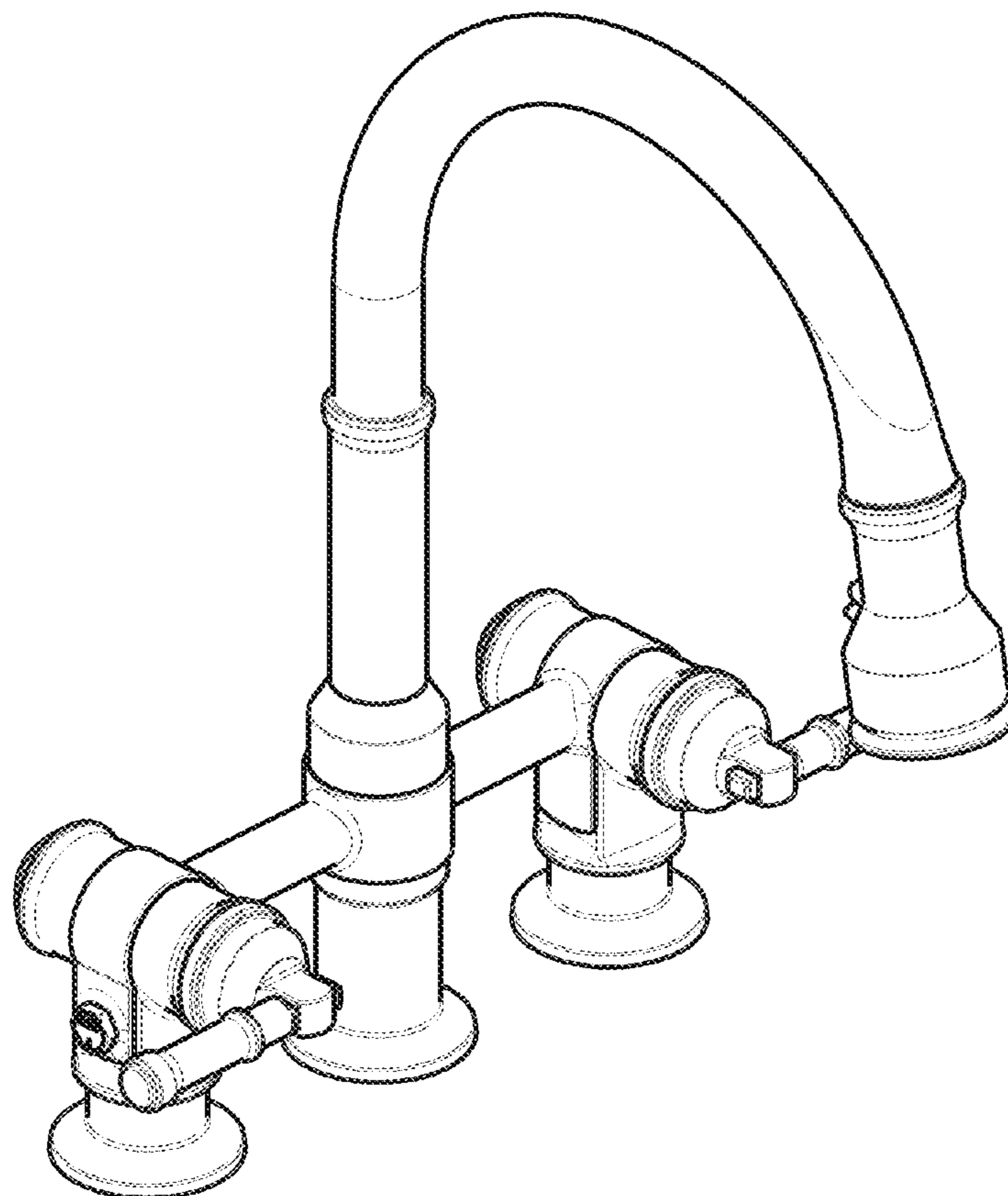
(57) **CLAIM**

The ornamental design for a faucet, as shown and described.

**DESCRIPTION**

FIG. 1 is a front perspective view of a faucet showing my new design;  
FIG. 2 is a rear perspective view thereof;  
FIG. 3 is a front elevational view thereof;  
FIG. 4 is a left side view thereof;  
FIG. 5 is a rear view thereof;  
FIG. 6 is a right side view thereof;  
FIG. 7 is a top plan view thereof; and,  
FIG. 8 is a bottom view thereof.

**1 Claim, 4 Drawing Sheets**



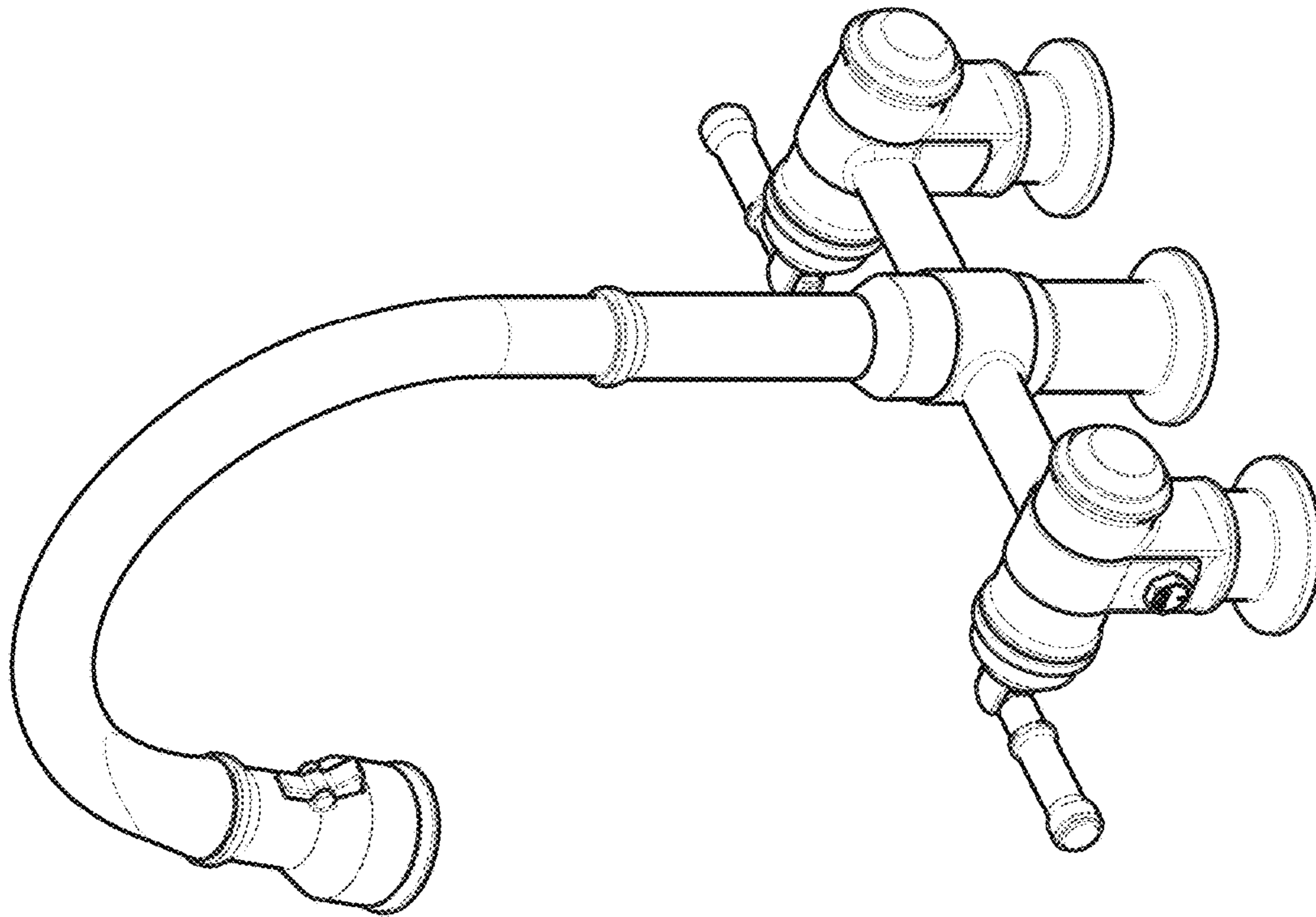


Fig. 2

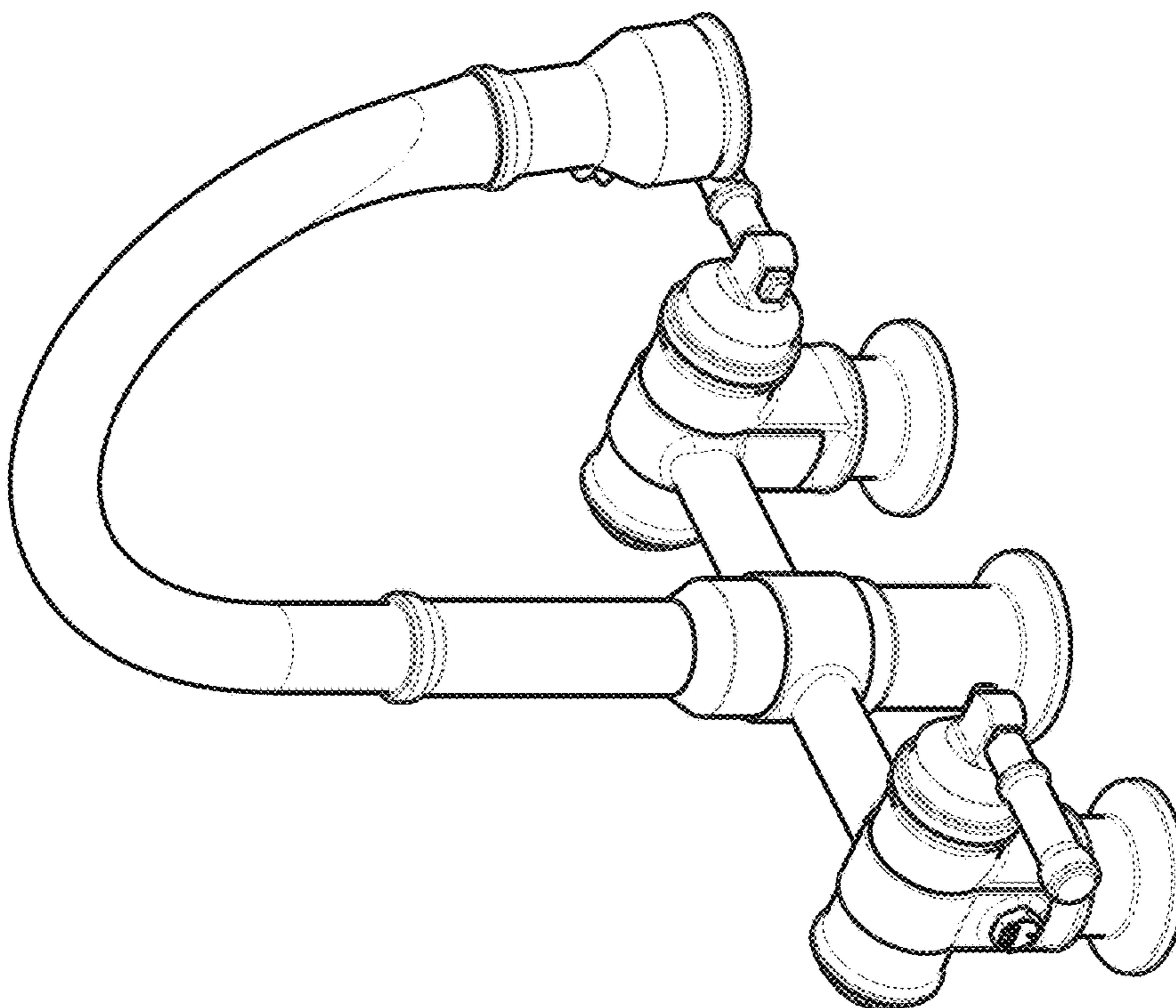


Fig. 1

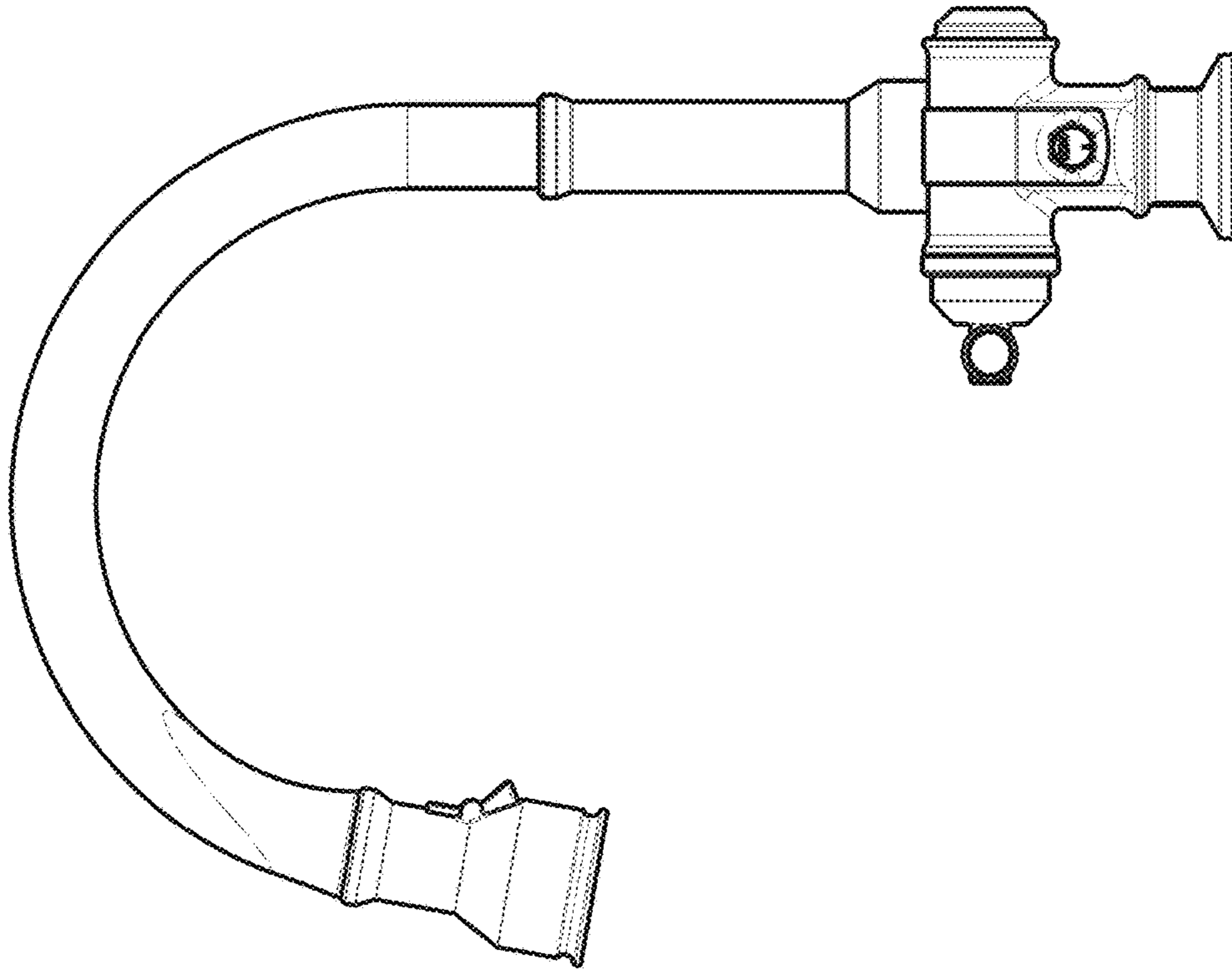


Fig. 4

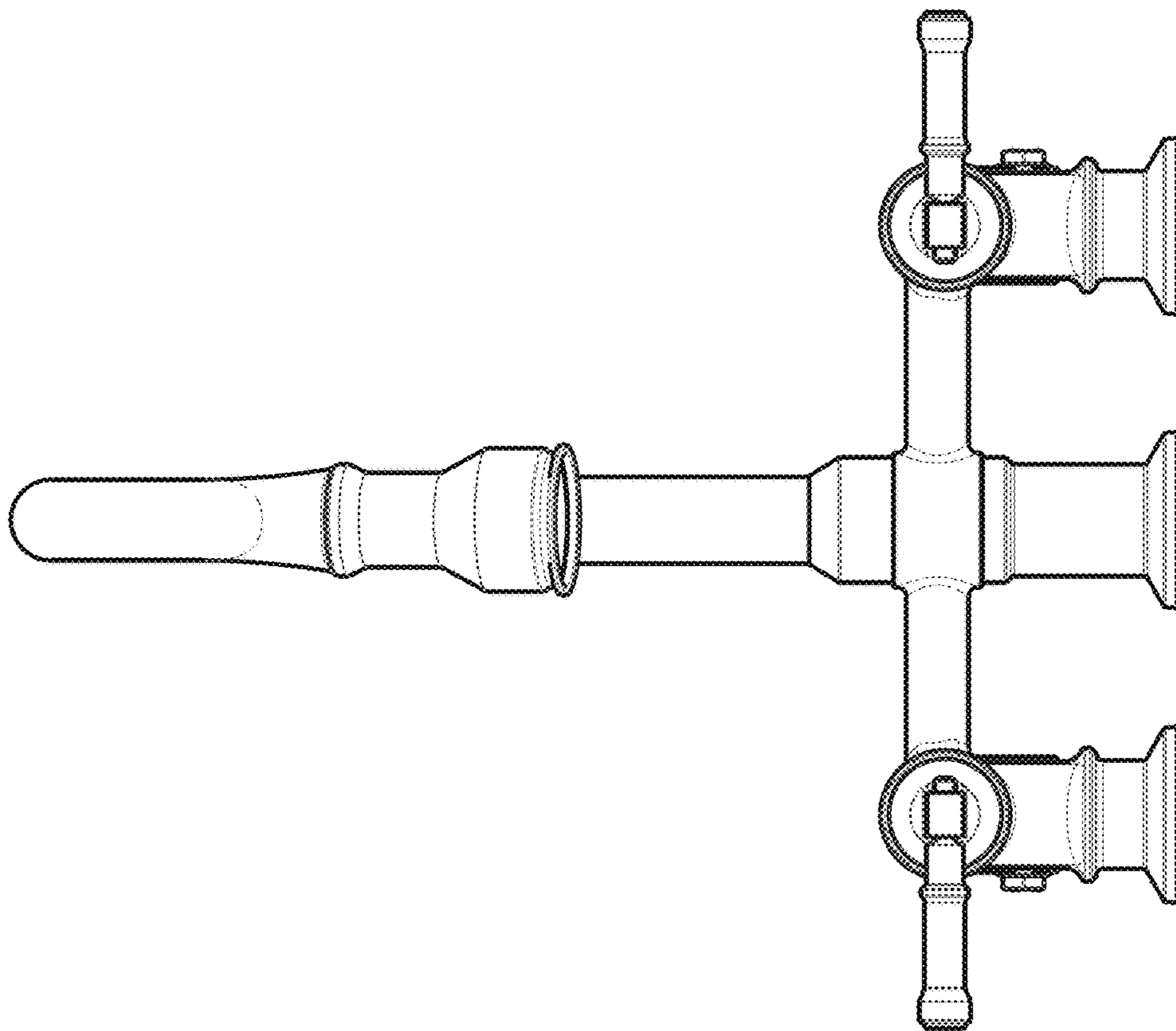


Fig. 3

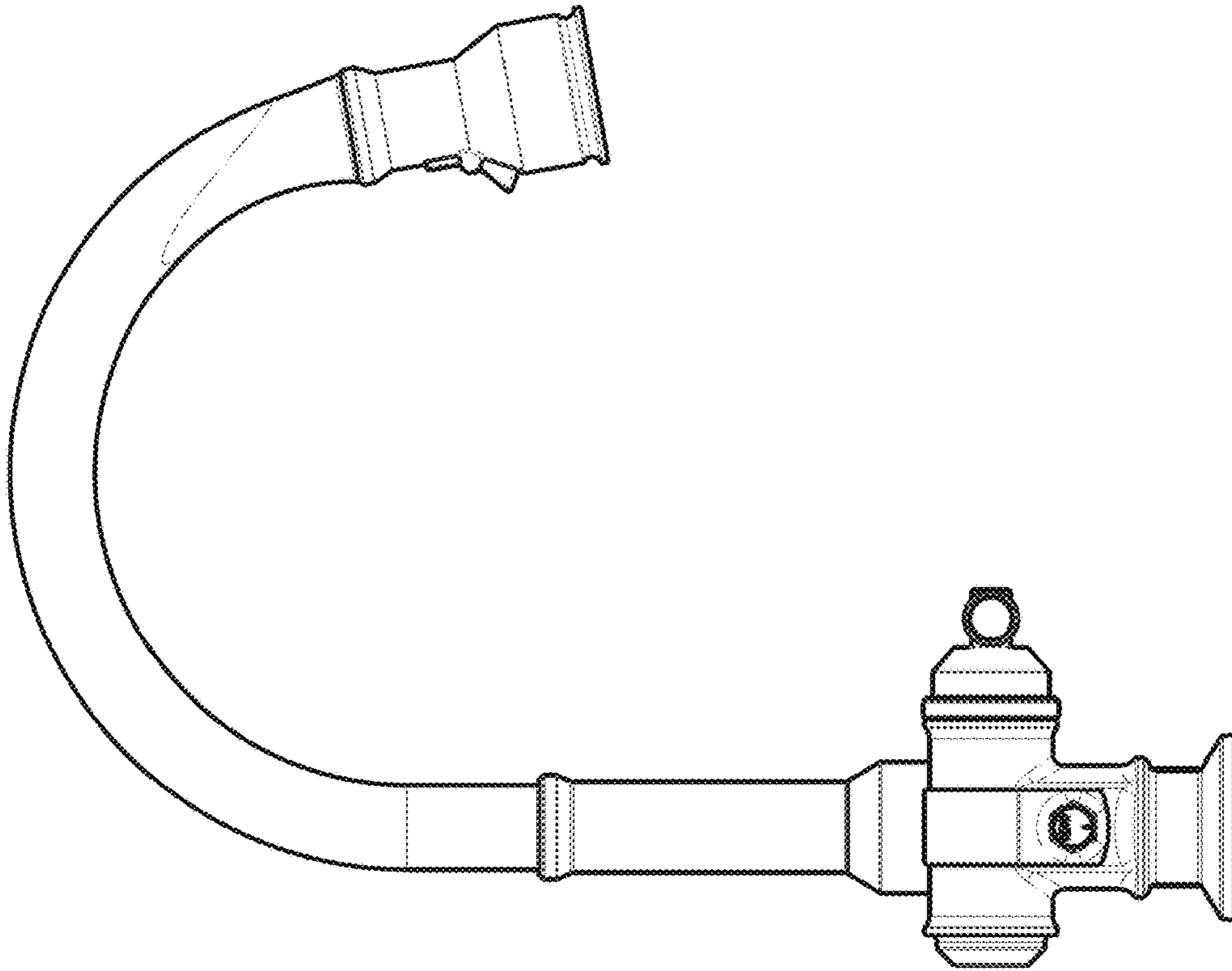


Fig. 6

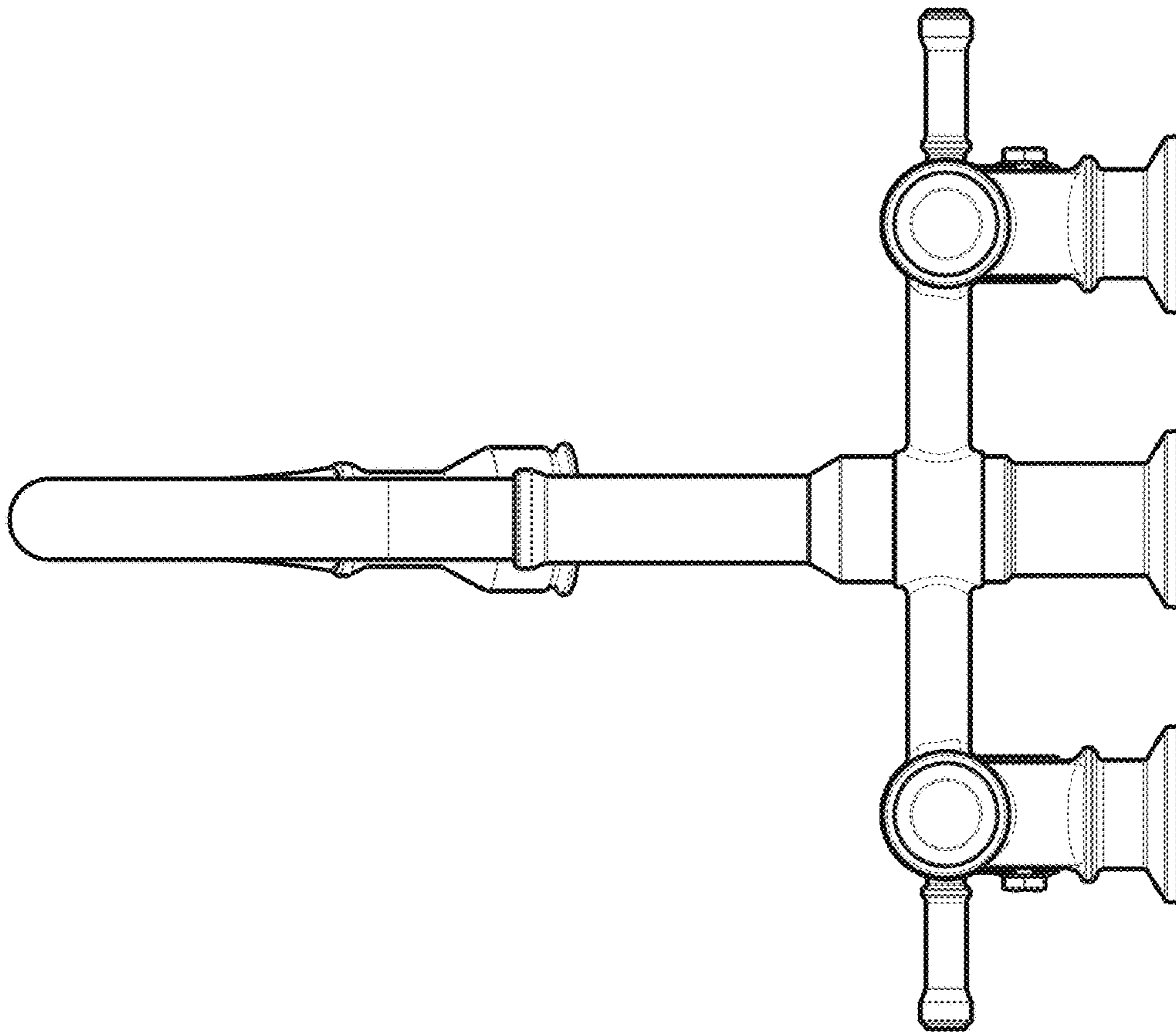


Fig. 5

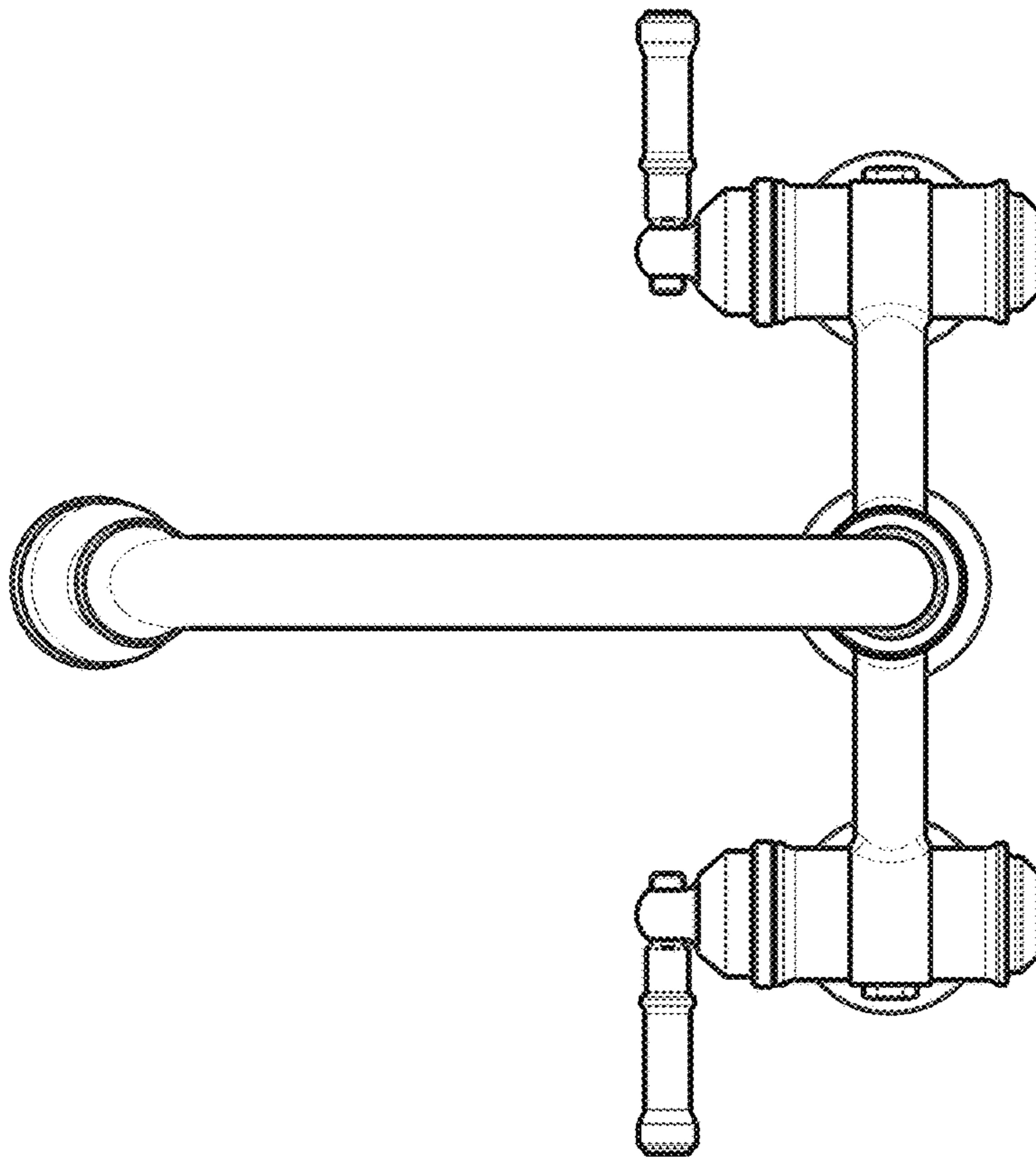


Fig. 7

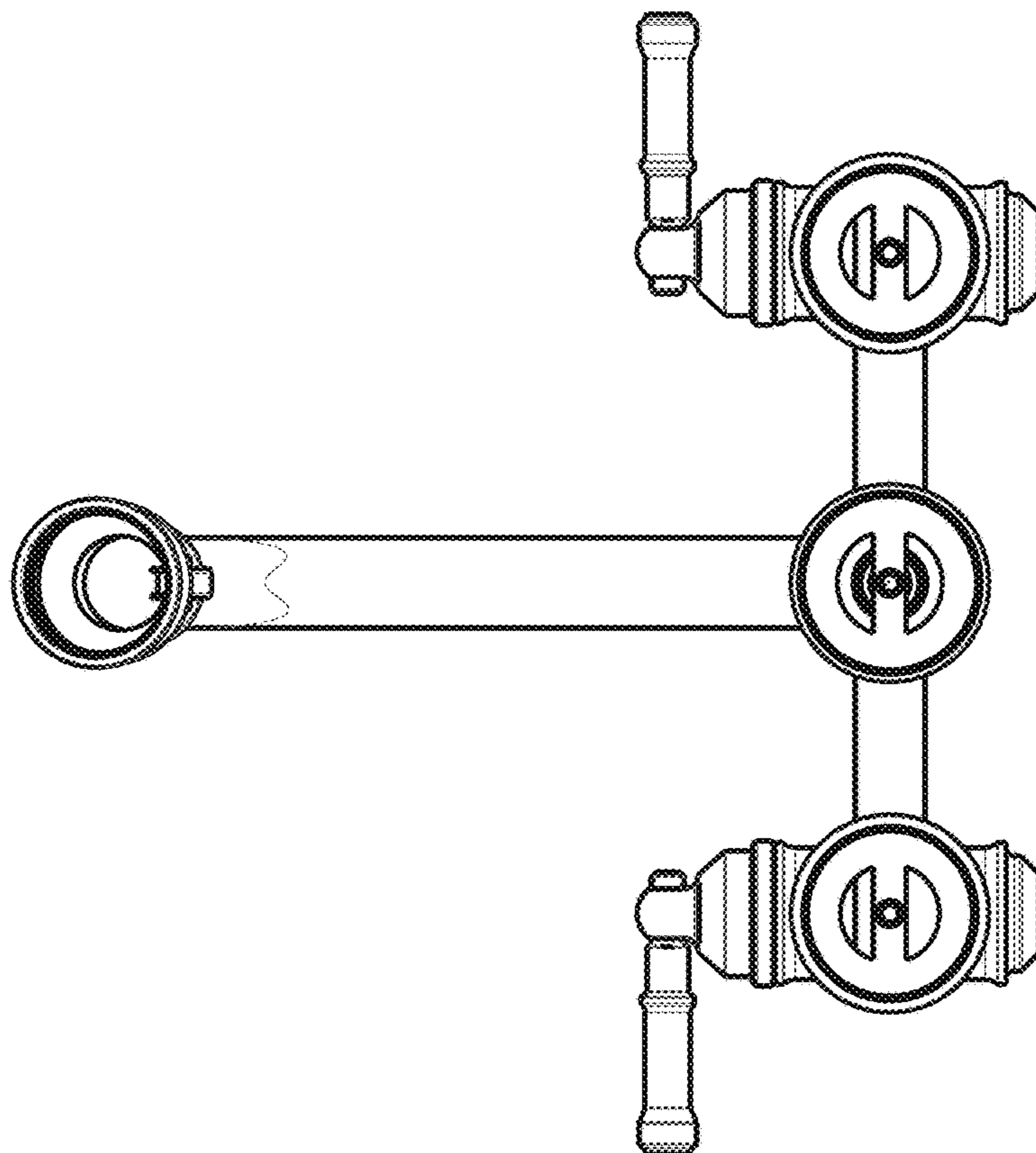


Fig. 8