



US00D853529S

(12) **United States Design Patent**
Mai

(10) **Patent No.:** **US D853,529 S**

(45) **Date of Patent:** **** Jul. 9, 2019**

(54) **FAUCET**

(71) Applicant: **Long Mai**, Guangzhou (CN)

(72) Inventor: **Long Mai**, Guangzhou (CN)

(**) Term: **15 Years**

(21) Appl. No.: **29/646,683**

(22) Filed: **May 7, 2018**

(51) **LOC (11) Cl.** **23-01**

(52) **U.S. Cl.**
USPC **D23/239**

(58) **Field of Classification Search**

USPC D23/238–243, 249, 255, 257
CPC E03C 1/04; E03C 1/0401; E03C 1/0402;
E03C 1/0404; E03C 1/0405; Y10T
137/9464

See application file for complete search history.

(56) **References Cited**

U.S. PATENT DOCUMENTS

D343,227 S *	1/1994	Dannenberg	D23/238
D371,428 S *	7/1996	Gottwald	D23/238
D532,870 S *	11/2006	Lobermeier	D23/238
D538,398 S *	3/2007	Lobermeier	D23/238
D620,558 S *	7/2010	Krumpe	D23/238
D645,121 S *	9/2011	Fritz	D23/238
D665,876 S *	8/2012	Corbett	D23/238
D667,931 S *	9/2012	Mossman	D23/238
D713,508 S *	9/2014	Downey	D23/238

* cited by examiner

Primary Examiner — Eric L Goodman

Assistant Examiner — Amy C Wierenga

(74) *Attorney, Agent, or Firm* — ScienBiziP, P.C.

(57) **CLAIM**

The ornamental design for a faucet, as shown and described.

DESCRIPTION

FIG. 1 is a first perspective view of a faucet showing the claimed new design;

FIG. 2 is a second perspective view thereof;

FIG. 3 is a front elevational view thereof;

FIG. 4 is a rear elevational view thereof;

FIG. 5 is a left side elevational view thereof;

FIG. 6 is a right side elevational view thereof;

FIG. 7 is a top plan view thereof;

FIG. 8 is a bottom plan view thereof;

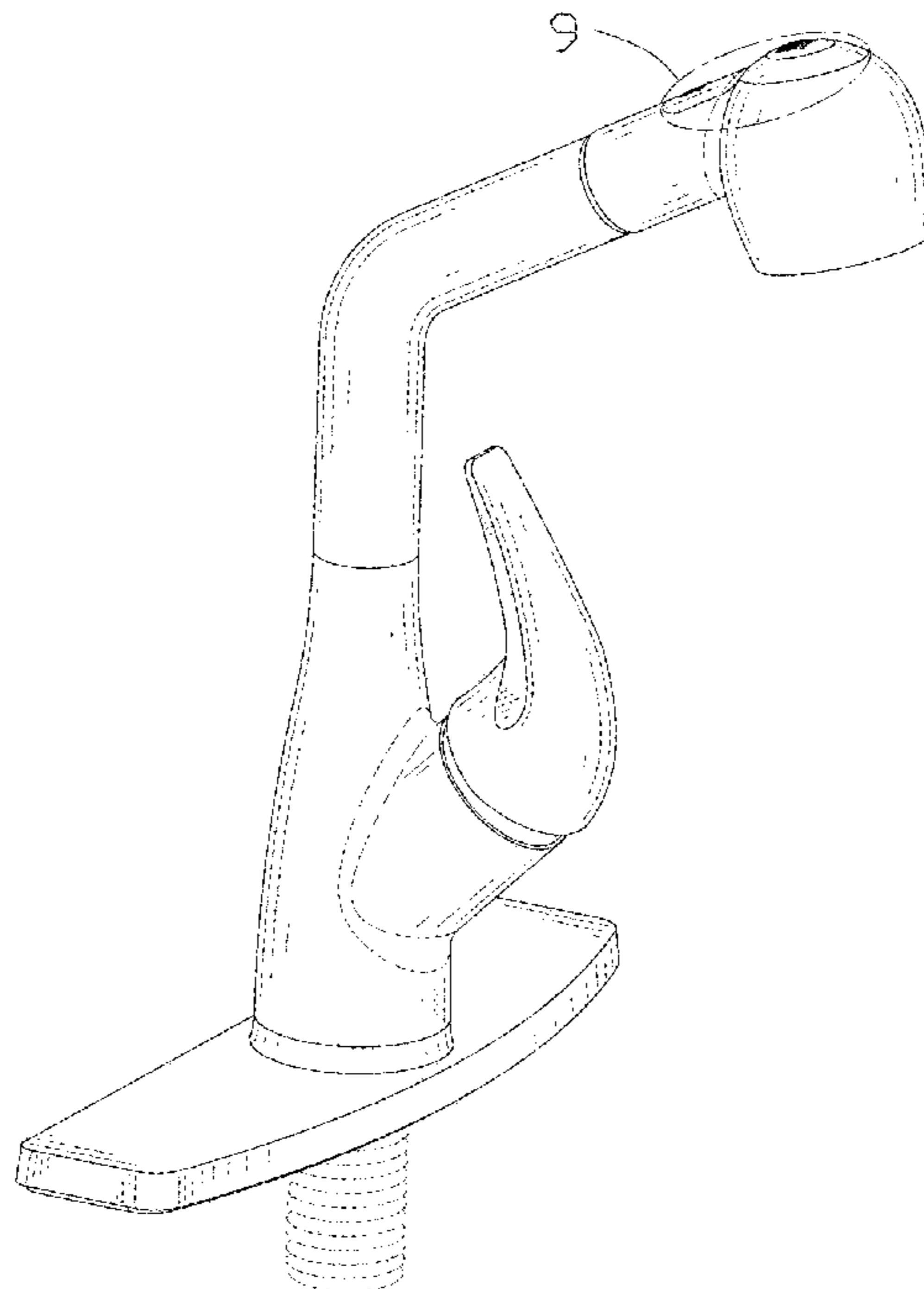
FIG. 9 is an enlarged detail view of a component with a label number “9” in FIG. 1; and,

FIG. 10 is an enlarged detail view of a component with a label number “10” in FIG. 2.

The broken lines shown in the drawings are for the purpose of illustrating environment that form no part of the claim.

The dot dash broken lines indicate cutoff boundaries for enlarged detailed portion views and form no part of the claim.

1 Claim, 10 Drawing Sheets



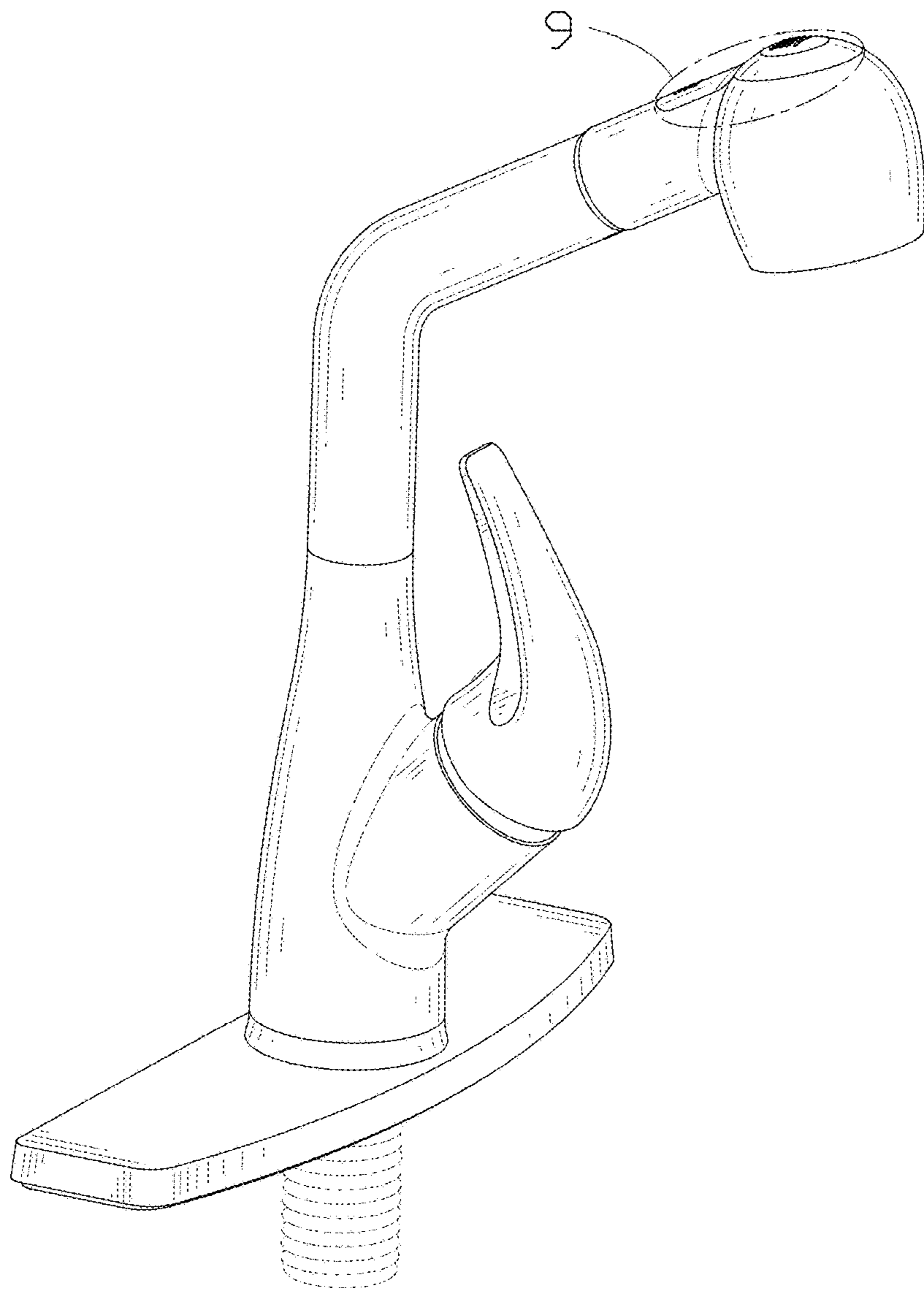


FIG. 1

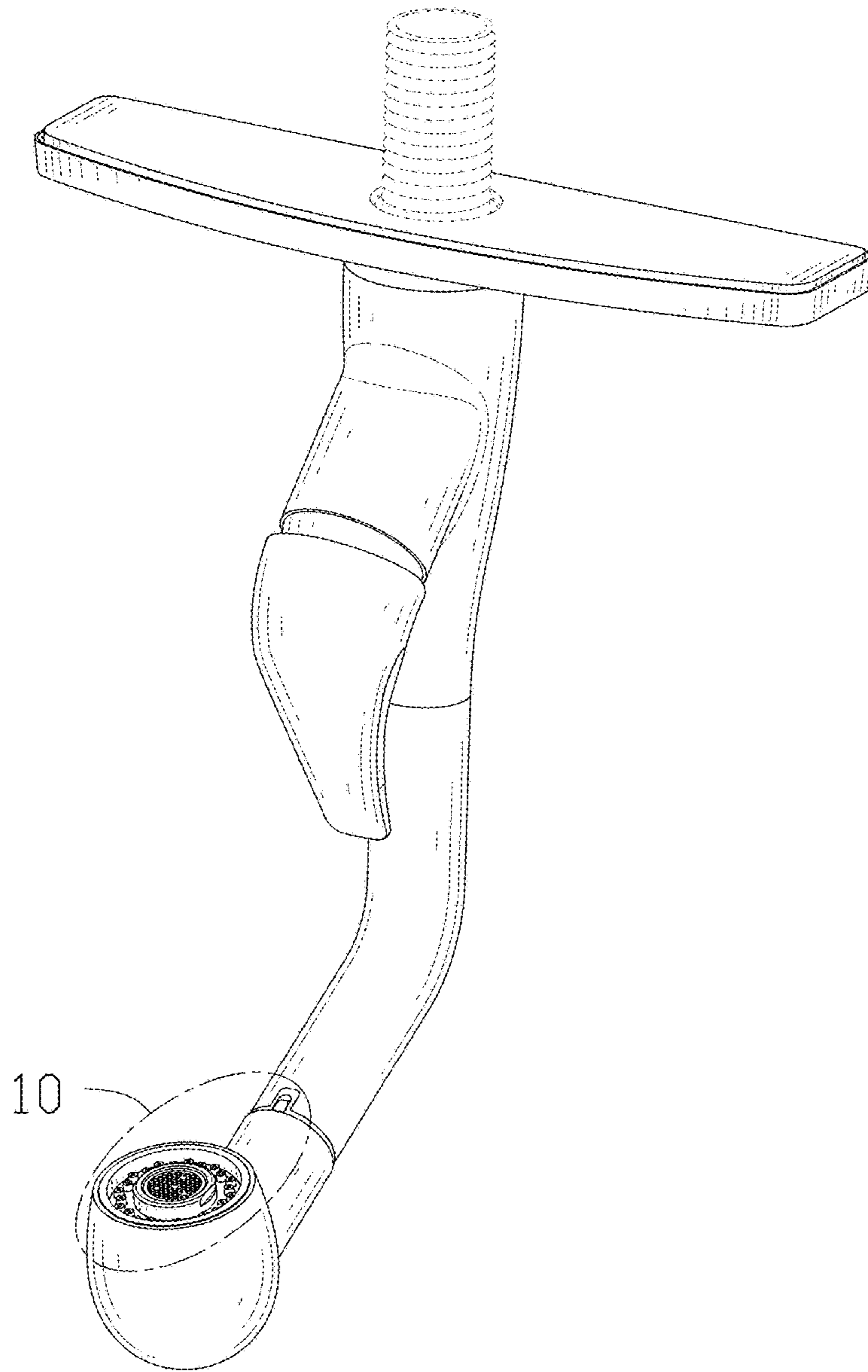


FIG. 2

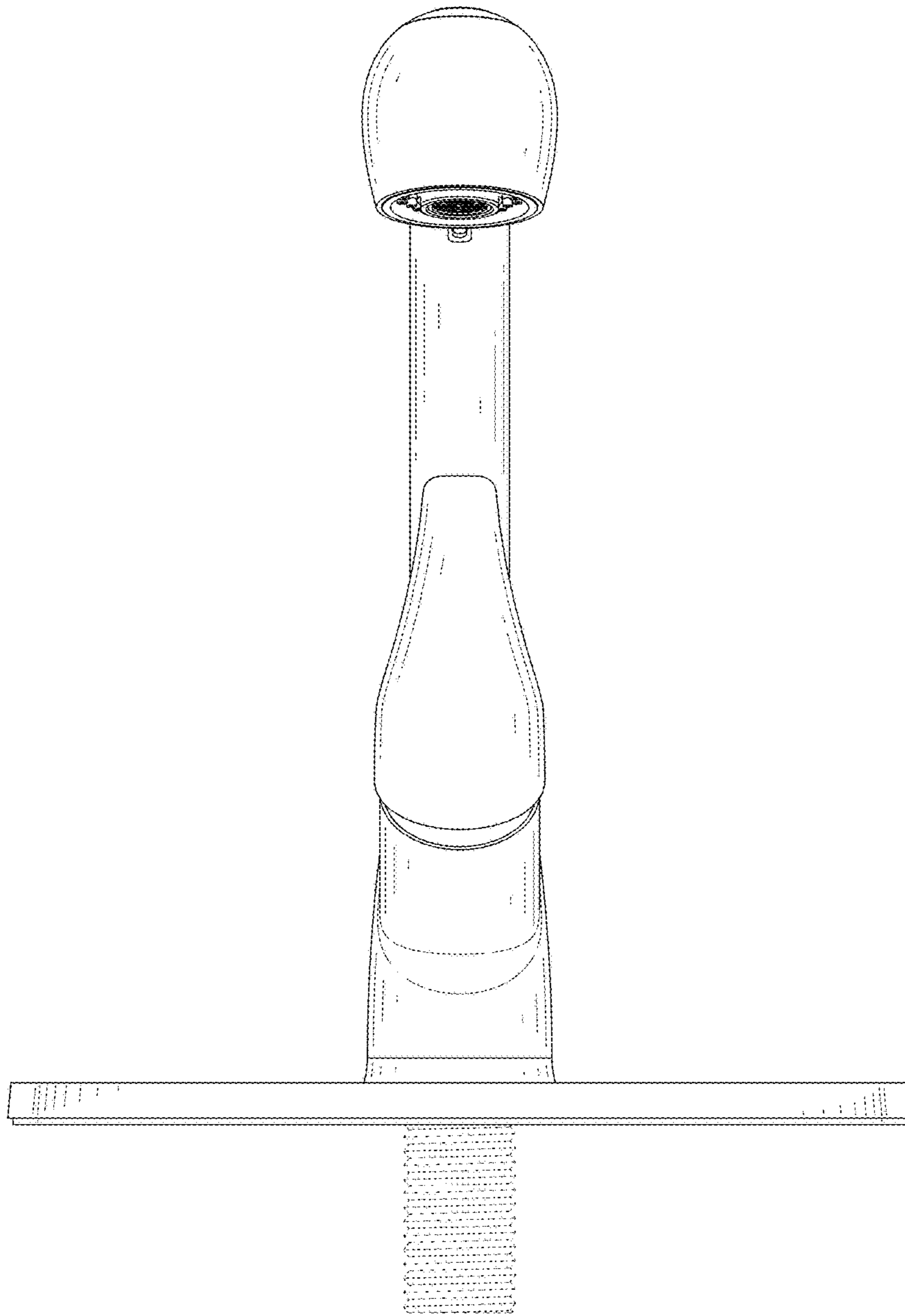


FIG. 3

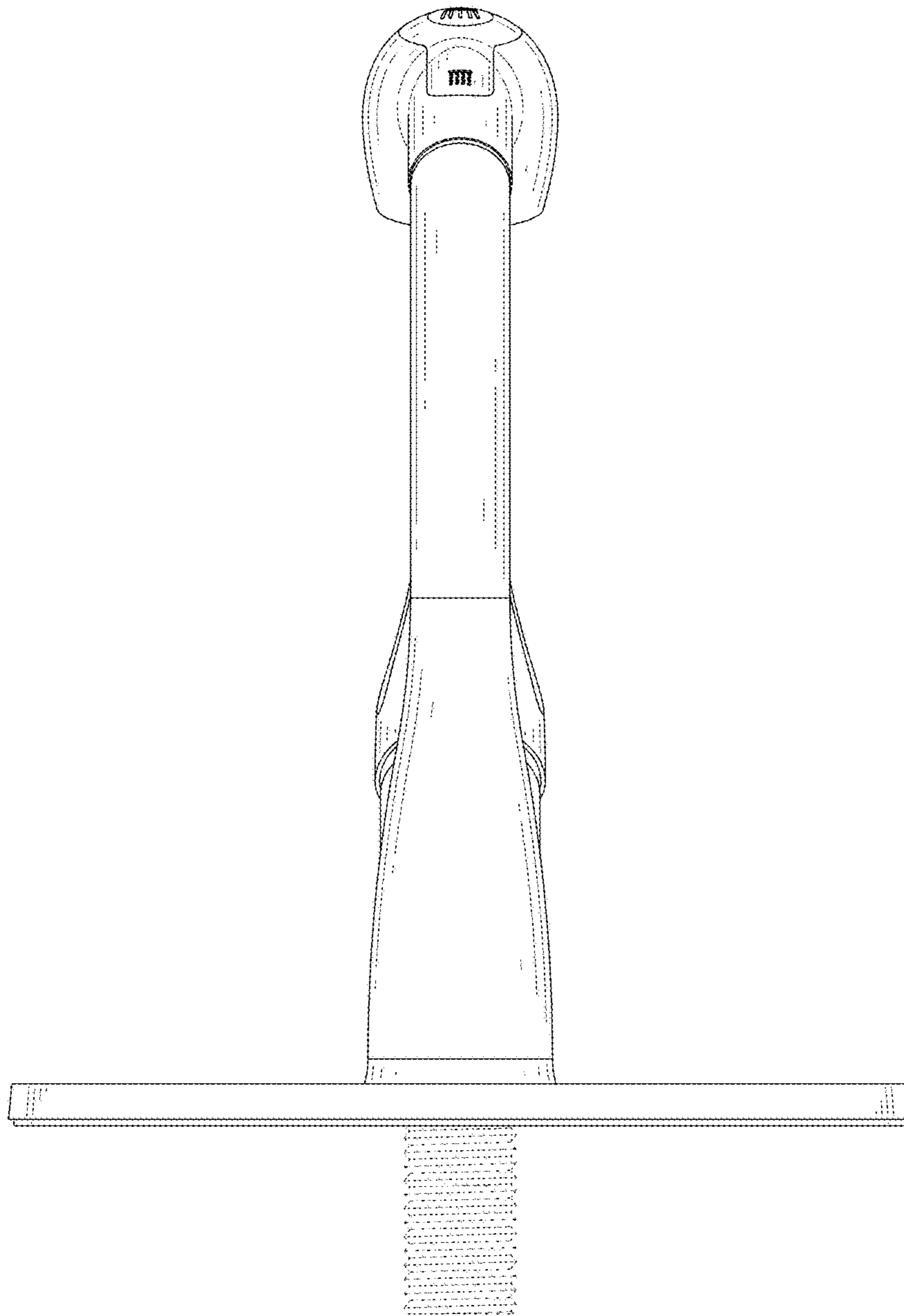


FIG. 4

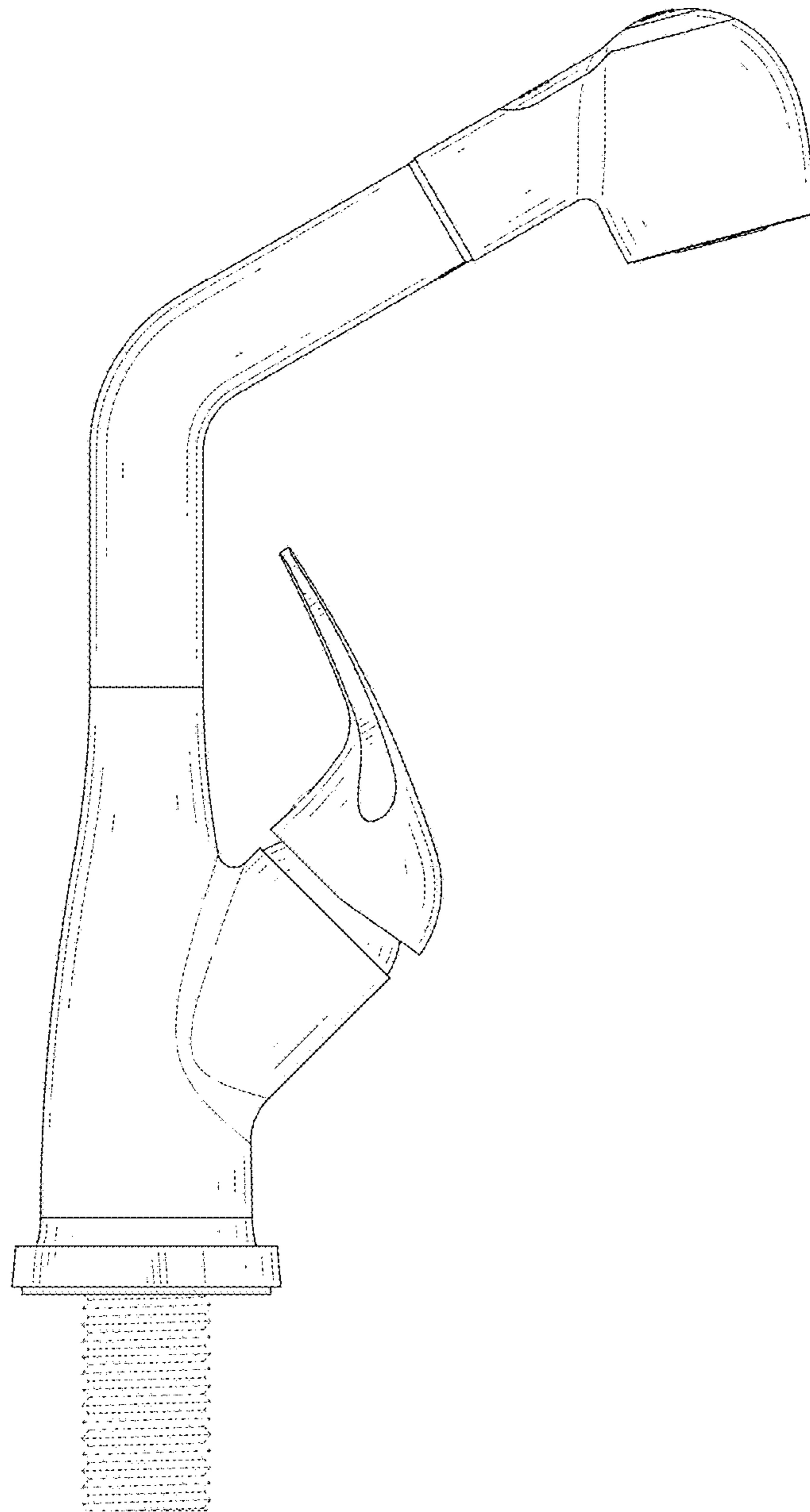


FIG. 5

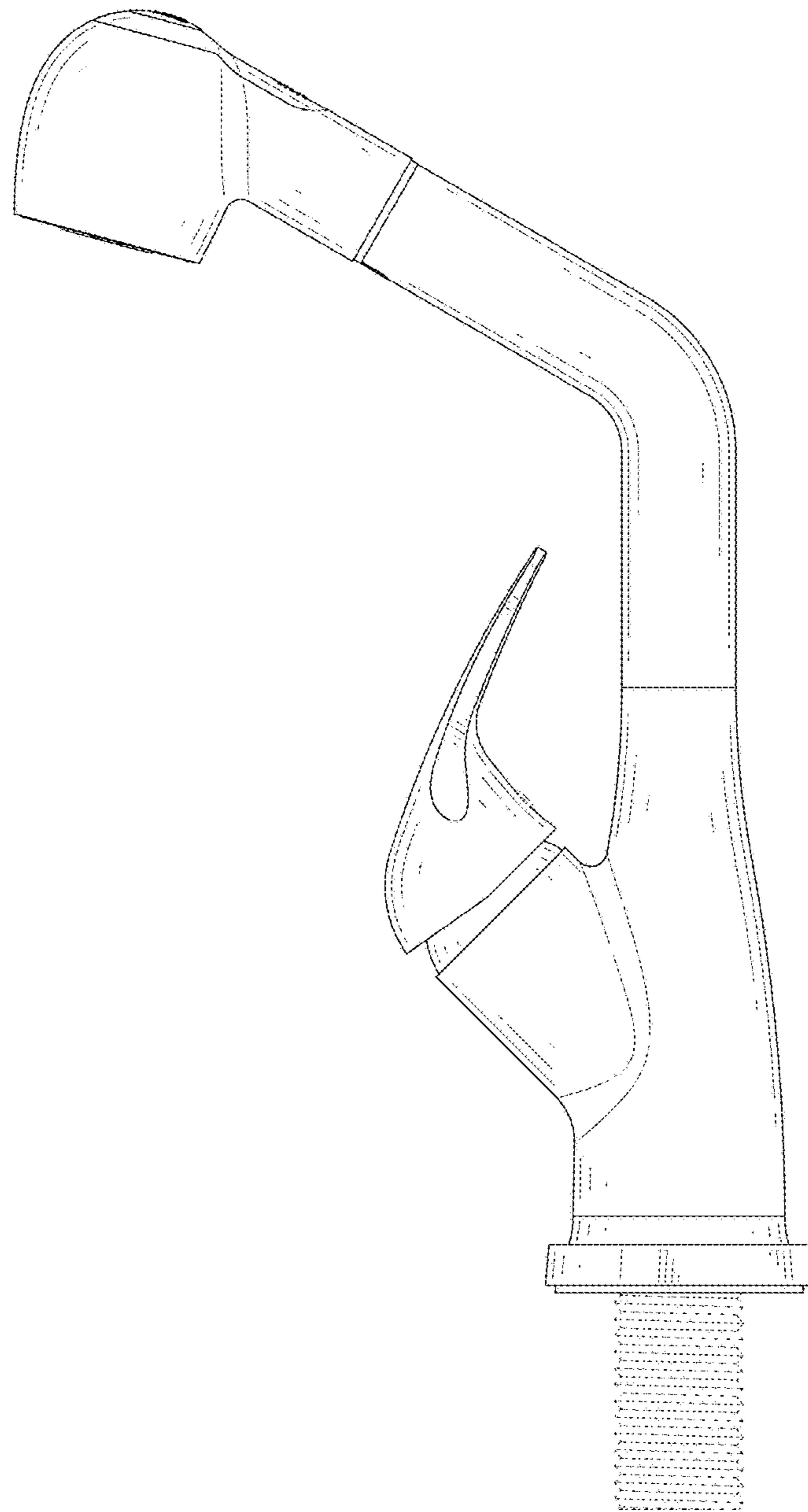


FIG. 6

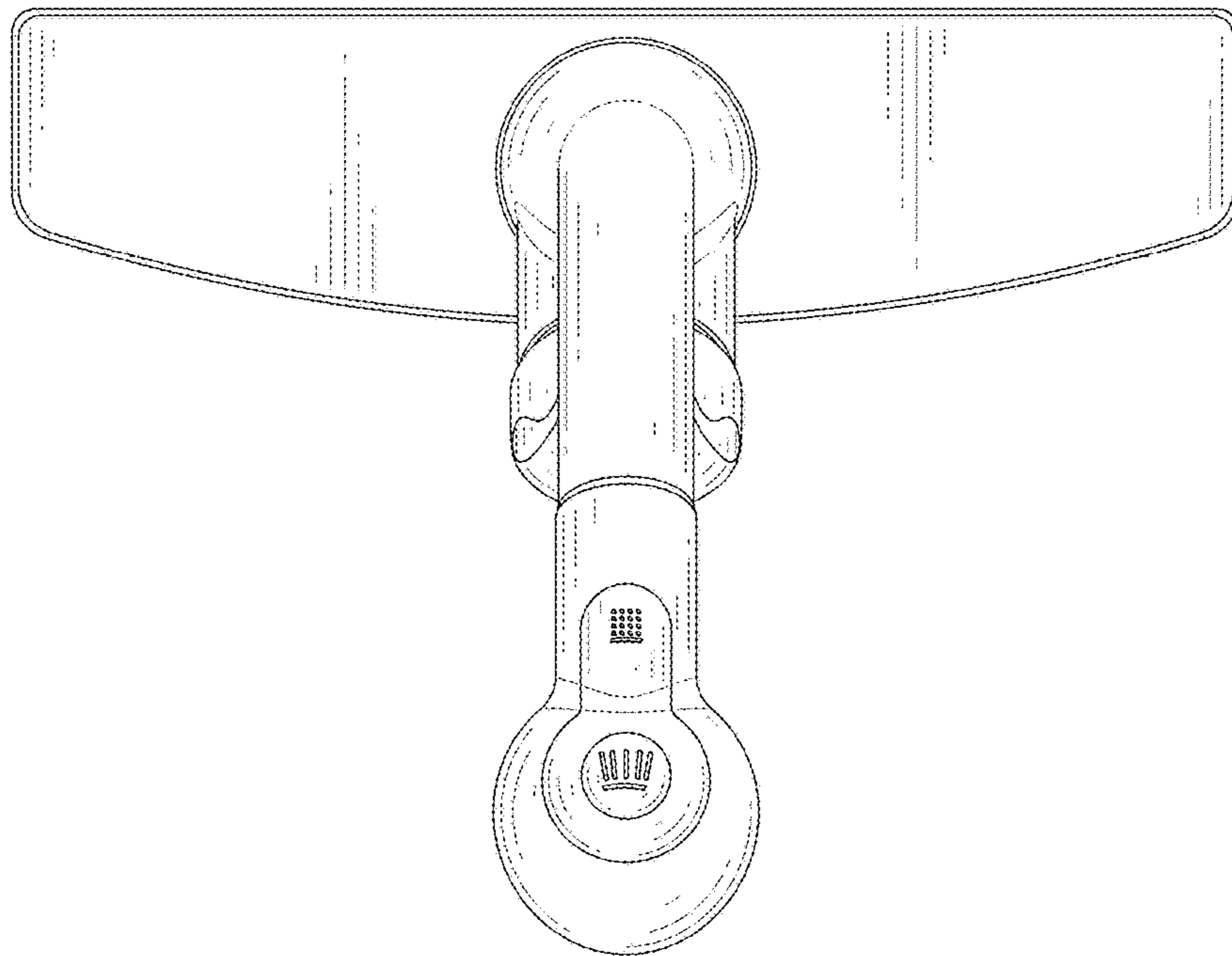


FIG. 7

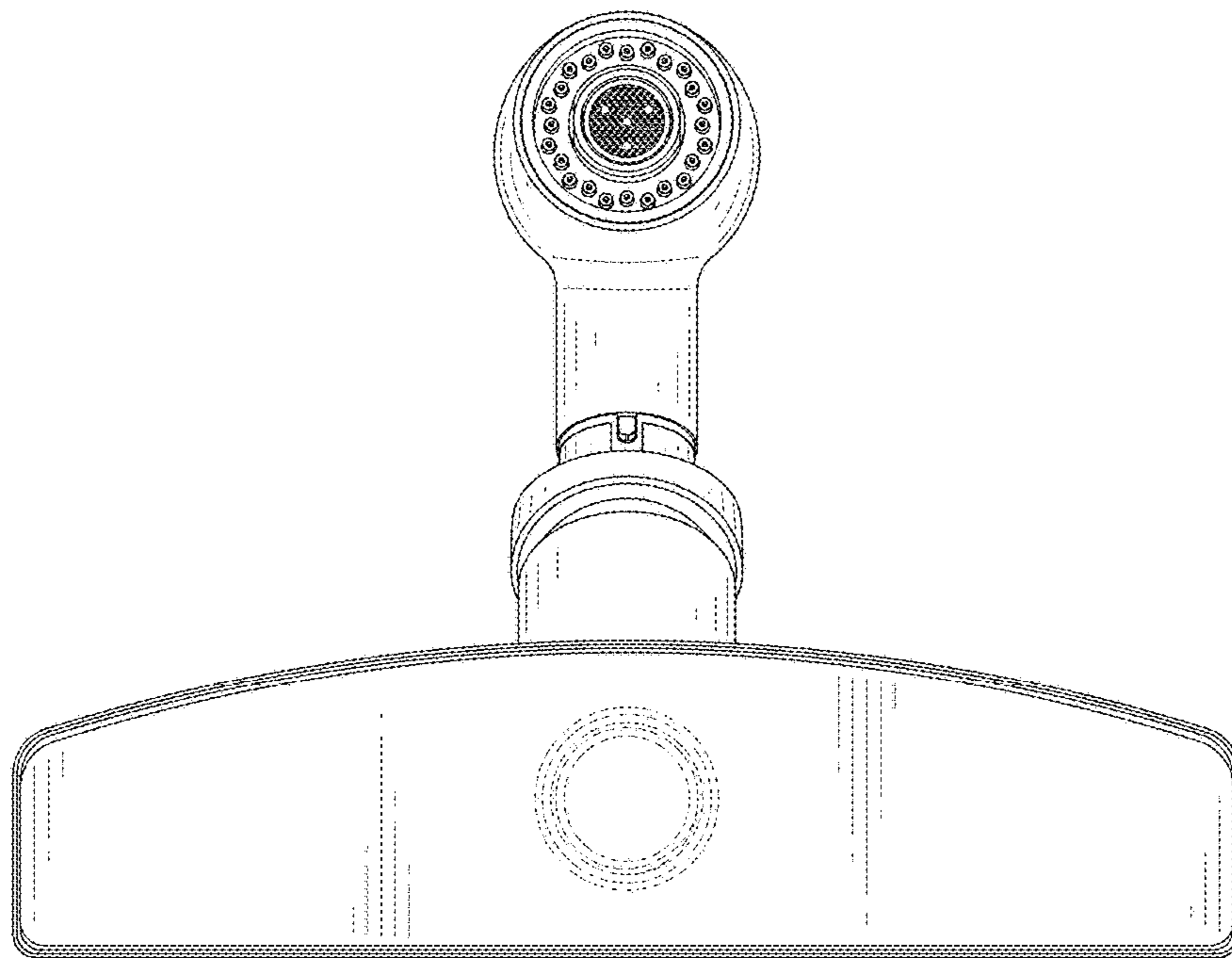


FIG. 8

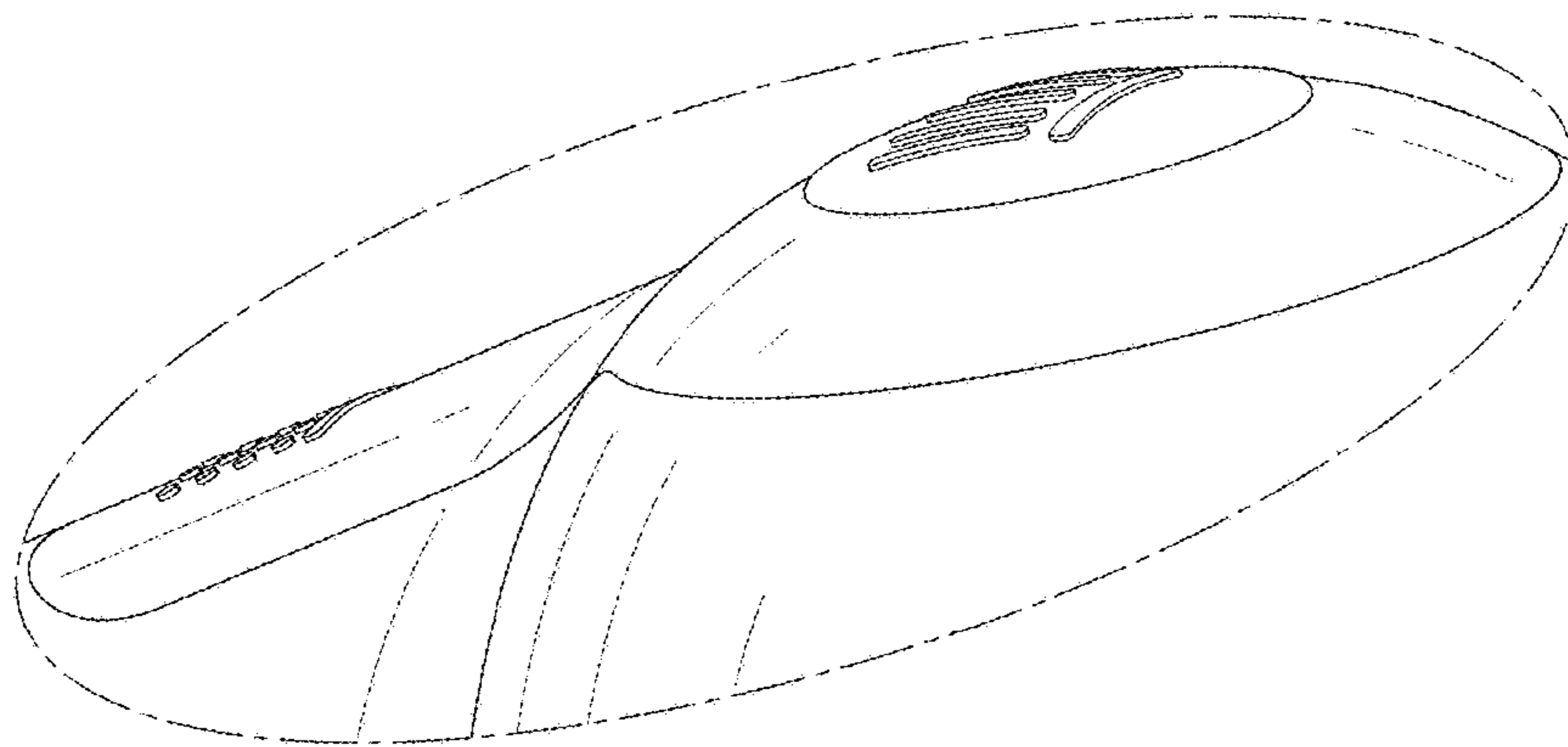


FIG. 9

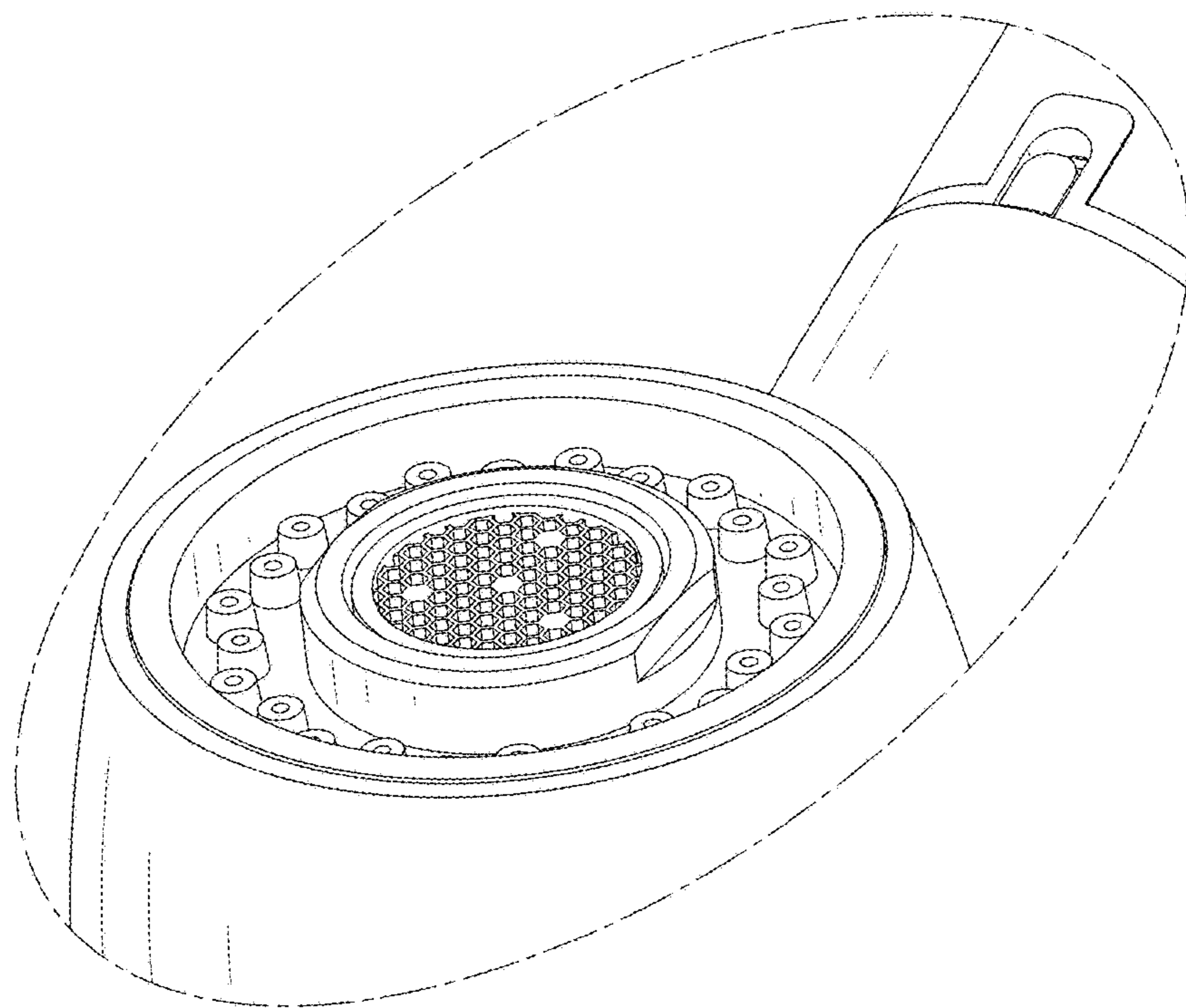


FIG. 10